



Central Basin Municipal Water District

Exhibit "A"

Scope of Work

For

Engineering Design Services

For the

Southeast Water Reliability Project

Recycled Water Pipeline & Pump Station

I. SCOPE OF SERVICES

The Consultant, acting as an independent contractor, is to provide professional engineering services to provide complete construction documents for the implementation of the 42" pipeline and booster pump station. The Consultant shall provide professional engineering services required to allow the District to advertise, award, and construct the SWRP in a timely and cost effective manner. In an effort to complete the construction of this project within schedule, the Consultant shall develop a phasing methodology for the design, bidding, and construction through the implementation of multiple bid packages. It is anticipated that this approach will allow more complicated portions of the alignment to be constructed concurrently with the less challenging elements of the project while combining specific industry expertise from a multitude of contracting resources.

In order to successfully facilitate these scope of services the consulting engineer shall be fully qualified to provide and/or direct other expert and professional services including, but not limited to, the following disciplines:

1. Geotechnical/geological engineering
2. Surveying
3. Orthogonal digital aerial photogrammetry
4. Hydraulic modeling
5. Structural engineering
6. Pipeline design
7. Corrosion Engineering
8. Pump station design
9. Electrical, instrumentation, and control design
10. SCADA
11. Engineering analyses
12. Traffic engineering
13. Public permitting
14. Cost estimating
15. Scheduling
16. Support of easement acquisition
17. Familiarity with public works contracting laws and procedures
18. Support community outreach

The Consultant shall perform the following scopes of services in accordance with the requirements outlined in the following subsections and selected portions of the Consultant's submitted proposal submitted on December 22, 2005. The following attachments are included herein by reference:

- Attachment 1 – Consultant Proposal Scope Clarification & Additions

- Attachment 2a – Consultant Schedule
- Attachment 2b – Consultant Costs and Fee Schedule

1.0 Design Deliverables

The Consultant shall perform all research and engineering analyses, prepare design plans, specifications, cost estimates, bid documents, schedules, and facilitate plan check approval with local cities, municipalities, utilities, Caltrans, and railroads for the construction of the SWRP. Design services of the recycled water pipeline and pump station shall include, but not be limited to, all necessary structures, electrical, instrumentation, and control systems, SCADA, pumps, service laterals, connections, meter facilities, and appurtenant systems and supporting infrastructure. The project design will be in accordance with the alignment shown in Attachment 3 and the following design deliverable requirements.

- 1.1 Contract Documents:** Provide all services necessary to develop final design contract documents necessary for appropriate project construction that complies with the District's standard plans, Standard Specification for Public Works Construction, Caltrans, Flood Control District(s), railroads, local city requirements, CEQA, and more stringent criteria as determined by the Consulting engineer to ensure a safe and reliable system. The Consultant will be expected to compile numerous bid packages necessary to meet the design and construction milestones outlined in this RFP.
- 1.2 Survey:** Provide digital orthogonal aerial photogrammetry and ground control surveys at one (1) foot contour intervals, rights-of-way, street centerlines, curbs and gutters, sidewalk, surface and utility appurtenances, easements, over-crossings, and other attributes relevant to produce comprehensive pipeline plan and profile and pump station construction documents.
- 1.3 Pipe Design:** The Consultant shall provide a detailed assessment and design of the various piping materials available for use on the SWRP. This assessment shall include, but not be limited to, a cost benefit analysis of each different piping material, advantage/disadvantages of material use in construction, fabrication lead times, material availability, ease and time impacts in mitigating unforeseen field conditions with each material type, current market price, and long term structural and corrosion integrity, maintenance, and functionality of the piping material. The Consultant shall provide a ranking of each material type and recommendation of the best three pipe materials to be used on this project based upon their market research and overall assessment taking into account the aforementioned factors. The Consultant shall provide a detailed design for all viable pipe materials. For bidding purposes, the Consultant shall include the design of three pipe materials at a minimum. All designs shall be included in the final contract documents and be integrated into the pre-procurement material bid packages.

1.4 Hydraulic Analysis. The Consultant shall provide a recommendation on how the increased flow demand of the Central Basin system will be addressed. Options for consideration include, construction of a new booster pump station to work in combination with the District's existing pump stations, a new pump station to work independently of the District's other pumping facilities, or expansion of the Rio Hondo Pump Station. It is expected that the SWRP will introduce a new peak flow demand of approximately 21,600 gpm with a minimum baseline flow of 1,315 gpm.

The Consultant shall perform an overall hydraulic analysis of the Central Basin distribution system to determine the optimum pump station operating parameters. This assessment shall evaluate the integration with the District's existing pumping facilities, maintenance, and operational challenges. The Consultant shall coordinate hydraulic parameters and design criteria with the District's Project Manager. A surge analysis shall be included for the recommended pipeline and pump station facility analysis. The existing Central Basin system model is developed using MWSOFT's H2ONET hydraulic modeling software. Updated customer demand data and usage patterns will be provided by Central Basin to be incorporated into the system model.

1.5 Traffic control plans: The Consultant shall develop and coordinate with affected local agencies and/or cities approved traffic control plans for each portion of the alignment. Specific traffic control restrictions, moratoriums, and lane closure requirements shall be shown on the drawings for each city and associated portion of the alignment. Traffic control plans shall be in the same format as the pipeline plans and included in the plan sets for review as defined in Section 1.6 herein. Traffic impacts shall be addressed during design to develop appropriate traffic control plans along the entire proposed pipeline alignment. Considerations to minimize the traffic impacts shall be taken into account in all residential, schools, emergency facilities, and business areas.

1.6 Material Procurement:

A. **Materials Identification Submittal:** The Consultant shall identify all materials for the pipeline and pump stations portion of work that will have a substantial fabrication lead time (i.e., pipe, pumps, valves, electrical and instrumentation equipment, etc.). The Materials Identification submittal shall be included with the 60% design submittal and shall detail all the necessary equipment that the District must purchase in advance to maintain the construction schedule and deliver the project within the allotted timeframe. The Materials Identification Submittal shall include a list of potential manufacturers, estimated costs of the equipment, proposed fabrication times, and the recommended packaging and phasing of how the District should cost and time effectively obtain the equipment to ensure delivery prior to the start of construction and/or phased construction milestones and minimize District liability during procurement.

-
- B. Manufacturer's Workshop: The Consultant shall coordinate a one day manufacturer's workshop that will cover the scope of the SWRP and the design specifics of the various material fabrication packages. This workshop shall be held within three working days from the completion of the 60% design review. The manufacturer's workshop shall be used as a forum to better understand the challenges faced by specific equipment manufacturers and to gather innovative solutions in how to deliver the specified equipment within the prescribed timeframes
- C. Material Procurement Package: The Consultant shall submit for the District's use within 30 calendar days of the completion of the 60% design review the complete design specifications, drawings, and bid packages that the District will use to advertise for materials procurement contracts. The Consultant shall be responsible for assisting the District with all phases of advertisement and material fabrication, respond to questions from manufacturers, manufacturer selection, contract negotiations, contracts review, shop drawing review, shop inspection, and delivery coordination.

1.7 **Booster Pump Station Design:**

SWRP Booster Pump Station: Should a new SWRP booster pump station be necessary, the Consultant shall base the design upon the recommendation from the hydraulic analysis determined in Section 1.4. The design shall also account for a phased approach allowing flexibility in meeting the District's increasing recycled water demands as new customers are added to the system. The SWRP booster pump station design shall address how reliability and redundancy will be met along with operations and maintenance activities. Should a recommendation be made to construct a new booster pump station or enlarge the existing Rio Hondo Pump Station, adequate space is available for either option at the Rio Hondo Pumping site.

For the purpose of defining the pump station design efforts, the Consultant shall assume a new booster pump station facility will be required. If necessary, adjustment to the project scope will be made upon determining the need of constructing a new booster pump station or expansions of the existing Rio Hondo Pump Station. Design of a complete chlorine injection facility shall be included in the design package.

Design services shall be comprehensive and include, but not be limited to, all necessary structures and appurtenances, site development, all equipment, required electrical and power supply, backup power generation system, instrumentation and control systems, SCADA/telemetry system, installation methods, and materials.

Rio Hondo Pump Station (RHPS): This facility currently serves the eastern and southern portions of the District's recycled water system. The RHPS is equipped

with two variable frequency drives/pumps with a capacity of 7,350 gpm each. One pump serves as a backup and to provide redundancy to the system. Design services shall include hydraulic analyses and pertinent modifications to fully integrate this facility with the new SWRP booster pump station.

- 1.8 **Contract Document Submittals & Reviews:** Prepare ten submittals of each design plan and specification package for review at the 30%, 60%, 90%, and final level. Each submittal shall include ten (10) sets for review and allow three days for the District to review, and conduct workshops with the Central Basin staff and appurtenant agencies after each submittal. In an effort to expedite the design schedule, Central Basin will be conducting three day design review workshops with construction management teams and 3rd party design review team at each submittal phase. All comments will be returned to the design team by the fourth working day.

The design consultant shall make available all key personnel to attend the design review workshop on one day of the design review period for each submittal phase to review all comments gathered from the design review team. The following is the submittal schedule and level of completion required for each submittal Phase:

30% Design Submittal	
PIPELINE PACKAGES	PUMP STATION PACKAGES
Plan & profile sheets to include:	Civil drawings shall include:
1. Existing utility Information	1. Site map with existing utility information
2. Digital ortho aerial photos	2. Digital ortho aerial photos
3. Survey control	3. Survey control
4. Potholing information	4. Potholing information
5. Tentative horizontal align	Architectural Drawings shall include:
6. Construction methodology	1. Tentative pump station layout
Specification outline	Mechanical Drawings
List of necessary permits	1. Influent & effluent piping, pump room, EI&C room, wetwell, etc.
Community Outreach Plan	Specification outline
Permitting Package (See Section 4.0)	List of necessary permits
60% Design Submittal	
Title sheet to include:	Architectural Drawing to include:
1. Vicinity map, legend, general notes to contractor, project requirements, index, etc.	1. Final pump station layout, elevations, and sections.

	2. Vicinity map, legend, general notes to contractor, project requirements, index, etc.
Plan & Profile Sheets	Civil Drawings shall include:
1. Final horizontal and vertical alignment including pipeline lengths and stationing, bearings, coordinates, stationing, and elevations	1. Rough grading, existing site utilities, supporting infrastructure, utility connections, surface improvements, etc.
2. Geotechnical borings (shown on P&P)	Mechanical Drawings shall include
3. Detail callouts	1. Pump room, wet well, and piping layout.
4. Material specification and installation method	2. Supporting details
5. Street sections (@ 500 ft intervals)	EI&C Drawings shall include:
Detail Sheets	1. Electrical instrumentation, and control design with pertinent diagrams and supporting details.
1. Supporting details (i.e., Trenching and paving sections, roadway sections, valve assemblies, maintenance holes, cathodic protection, etc.)	Plumbing Drawings shall include: 1. Pump station sanitary waste and potable supply services, and ventilation design.
Traffic Control Plans to include	Landscape Drawings shall include:
1. Traffic lane closure requirements and street specific layout plans.	1. Site improvements, lighting, proposed vegetation, irrigations, and site security fencing.
2. Working hour restrictions	
Structural Sheets to include	Specifications to include:
1. Draft structural details and sections	1. Draft material specifications
Specifications to include:	2. Draft front end specifications (i.e., General provisions, special provisions, notice inviting bids, bid form, etc.)
1. Draft material specifications and construction methodologies	
2. Draft front end specifications (i.e., General provisions,	

special provisions, notice inviting bids, bid form, etc.)	
Permit status	Permit status
City/municipality outreach status	City/municipality outreach status
Material Procurement Package	Material Procurement Package

1.9 **100% Design Review:** The Consultant's 100% design review shall be considered a final design submittal to the District for final comments. All design elements, permitting, and local coordination for each of the projects shall be completed to allow the District to perform a final review. Copies of all permits for each bid package shall be included in the contract documents. The 100% design shall include all previous comments from the 30% and 60% design review.

1.10 **Final Contract Documents:** The final submittal shall address any comments made from the 100% review allowing the Consultant to reproduce these documents for construction advertising in accordance with Section 6.3 herein. The schedule for completion of the final bid packages shall be no later than October 3, 2006.

2.0 Field Investigation & Utility Research

2.1 **Geotechnical Investigation:** The Consultant shall perform a comprehensive geotechnical investigation to include adequate borings for proper design of the proposed pipeline facilities and appurtenances. The Consultant shall perform all applicable geotechnical lab test (i.e., compaction, permeability, consolidation, corrosion, etc.) to provide sufficient information to provide a comprehensive design. The Consultant shall coordinate with the affected cities and agencies the required permits necessary to conduct geotechnical investigations. The Consultant shall also be responsible for obtaining necessary permits prior to conducting geotechnical investigations. The Consultant shall be responsible for complying with all ordinances and requirements set forth by the affected cities and agencies for street restoration. For proposal preparation purposes the Consultant shall assume permit costs to be \$5,000. The District will only reimburse the actual permitting cost as required and documented from each city. The Consultant shall be solely responsible for other costs incurred from conducting traffic control, coordinating with Dig Alert and other activities related to the geotechnical investigation. The Consultant shall perform one boring for every 750 feet. All associated costs for report preparation, including permits, permit acquisition, etc., shall be included for this item. Five (5) copies of the final Geotechnical Report shall be provided to Central Basin. All pertinent geotechnical information shall be shown on the final plan and profile drawings and section callouts as applicable. In locations where jack and boring or microtunneling will occur, the Consultant shall perform a minimum of one boring at each receiving/jacking pit location and midpoint of tunneling reach (if possible).

2.2 Potholing: The Consultant shall pothole all utilities along the pipeline alignment and associated appurtenances to determine potential conflicts. Potholing data should be included on the 30% Design Submittal. The Consultant shall perform 450 potholes. All potholing information shall be included on the plan and profile drawings.

The Contractor shall be responsible for obtaining all necessary permits prior to any potholing activities. The Consultant shall be responsible for complying with all ordinances and requirements set forth by the affected cities and agencies for street restoration. For proposal preparation purposes the Consultant shall assume permit costs to be \$5,000. The District will only reimburse the actual permitting cost as required and documented from each city. The Consultant shall be solely responsible for all other costs incurred from conducting traffic control, coordinating with Dig Alert and other activities related to potholing activities.

2.3 Soil Contamination Testing: Other geotechnical requirements shall include, but not be limited to, laboratory testing for potential soil contamination. For bidding purposes, the same number of borings required in section 2.1 shall be used to estimate the cost for drilling, sampling, and testing of soil. During soil investigation activities the Consultant and its subconsultants shall monitor all soil explorations for potentially hazardous materials. For cost proposal purposes the Consultant shall analyze every other boring location for petroleum hydrocarbons (TPH; C₆ through C₄₀) using EPA Method 8015 modified, volatile organic compounds (VOCs) using EPA Method 8260B, and Title 22 metals. The Consultant shall analyze the alternate boring locations on an as required basis should physical evidence during boring exploration deem it appropriate (i.e., Physical evidence of petroleum hydrocarbons, and/or odors/vapors, etc.). The Consultant shall provide an additional unit cost for performing the aforementioned analysis suite beyond the identified baseline number of borings. All test results shall be included as an appendix to the final contract documents and geotechnical report. Include costs for the proper disposal of the sample spoils. Due to the high probability of encountering potentially contaminated soils, a specification shall be prepared for the pipeline construction contractor how properly handle the soils while proceeding forward with the construction effort without interruptions to schedule.

2.4 Utility Research: Comprehensive research for above and underground utilities shall be conducted at all local cities, utilities, municipal agencies, Caltrans and railroads to identify all utilities spanning along the proposed alignment. All utility research shall be shown on the plan and profile drawings and applicable details. Major utility information shall be shown on the 30% design submittal.

The Consultant shall submit a utility notification request to all private and public utility companies, cities, agencies, and other pertinent utility providers within five days of the Notice to Proceed requesting as-built plans and/or utility location maps

of all utilities along the proposed project alignment. The Consultant shall provide copies of the utility notification letters and hard copies of all utility location and as-built maps to the District as part of the 30% design package. All information shall become property of the District.

- 2.5 Easements and Right of Way Issues:** Confirm that all proposed pipe is within public right away. Prepare legal description and sketches for twenty (20) easements, including dimensions, parcel identification, contact and easement information. The Consultant shall coordinate through the Central Basin Project Manager all easement acquisition requirements, procedures, and coordinate with Central Basin legal council and real estate representatives. Provide technical support, drawings, maps, and legal descriptions to the Central Basin and interested parties as required. Temporary easements shall include the areas to be acquired and all documentation necessary for temporary construction easement acquisition.

The Consultant shall provide an easement submittal package along with the 30% design submittal package identifying all potential temporary and permanent easements that will be required for undercrossings, tunneling pits, construction lay-down areas, and other relevant scopes of work for the project. For proposal preparation purposes the Consultant shall include a cost for preparing a minimum of 20 easement acquisition packages. The Consultant shall also assume that each easement acquisition package will take a minimum of twelve (12) hours of preparation and revisions. The Consultant shall also include a unit cost for preparing additional easement acquisition packages beyond the aforementioned minimum easement package requirement.

3.0 Engineer's Construction Cost Estimate

Provide quantity and an Engineer's Estimate for each separate bid package. The Engineer's estimate shall include detailed cost of materials, labor, overhead, markup, profit, insurance, and other pertinent cost. The Engineer's estimate shall be submitted with the 90% and final design submittals. The Consultant shall itemize and separately present all professional design services costs and estimated construction costs for the scopes of work within the limits of the City of Vernon. The Estimated length of Vernon's pipeline segment is 7,900 linear feet. All costs associated with work within the City of Vernon limits shall be subtotaled and included in the final total for professional design services and the Engineer's Construction Cost Estimate.

4.0 Permits

- A. The Consultant shall be responsible for facilitating all plan checks and obtaining all permit approvals for each bid package and element of work. Specific attention shall be given to the permitting time frame for obtaining a permit from Caltrans, the railroads or other permitting agencies where pipeline placement will involve

tunneling under existing highways, railroads, and rivers. These items are considered to be critical path items for any bid package containing these scopes of work and shall be shown in detail on the design schedule submitted with the Consultant's proposal.

- B. The Consultant shall submit, along with the 30% design package, a separate permitting package that contains all drawings, completed permit applications, design calculations, and other pertinent material necessary to apply for all undercrossing permits. The permitting package shall be completed to a 90% level and separated into components to readily allow submittal to individual permitting agencies for review. The permit package shall be reviewed during the 30% design review workshop and all comments shall be addressed to allow submittal to each permitting agency. The revised permitting package shall be ready for submittal to the appropriate agency no later than five working days from the completion of the 30% design review workshop. Review comments received back from each permitting agency shall be addressed and resubmitted within five working days to the permitting agency. Copies of all approved permits shall be forwarded to Central Basin upon approval and included in the contract documents.
- C. The Consultant shall submit the permitting package in accordance with the project schedule identified in Section VI. The Consultant shall obtain all permits for all phases of work no later than December 6, 2006.
- D. Design of pipeline and associated facilities shall be in accordance with all provisions of permits from the corresponding cities and agencies governing the project site for any work associated with the project occurring in public right of way controlled by those agencies.
- E. The Consultant shall provide a permit status update at each of the subsequent design review submittals detailing the status of the review, the comments from the permitting agency, the submittal and re-submittal dates for each permit application, the anticipated permit approval date, potential construction, schedule, and cost impacts as a result of the permitting agencies requirements, and construction methodology changes.
- F. The District shall be responsible for submitting all permitting packages to and paying for all the permitting fees to each of the designated permitting authorities identified by the Consultant in the permit package submittal. The Consultant shall have sole responsibility for preparing all permitting documentation, applications, and supporting materials. The Consultant shall also be responsible for monitoring, tracking, communicating with each permitting agency, and updating the District on the status of each permit.

5.0 Meeting Coordination

- 5.1 **Weekly Design Meetings:** Schedule and conduct weekly design meetings. If weekly meetings or other additional meetings are required, stipulate the number in the Proposal, and include associated costs. Produce and distribute accurate weekly meeting minutes in accordance with the Project Manager's direction.
- 5.2 **Coordination Meetings:** Coordinate with cities and other affected agencies to obtain design and construction requirements and all necessary permits; provide design drawings and specifications to these entities as required. CEQA coordination will be the responsibility of Central Basin.
- 5.3 **Consultant Coordination:** The Consultant shall coordinate all elements of work with outside agencies, cities, other consultants, utility agencies, permitting authorities, elected officials, and residents.
- 5.4 **Monthly Progress Reports:** Prepare monthly progress reports and updated schedules. The monthly progress reports shall include the following:

Design Phase: Narrative on the status of the design effort (i.e., Tasks completed, challenges, obstacles, etc.), schedule update, contract dollars expended each month and cumulative total, permits applied for, status of each permit, and identification of any major design hurdles or agency coordination.

Construction Phase: The Consultant shall maintain a detailed listing of submittals pending review, list of submittals returned, RFI's reviewed, change orders issued and associated dollar impact and current month contract dollars expended with a running cumulative total.

6.0 Construction Bid Phase

- 6.1 **Pre-Bid Meetings:** The Consultant shall participate in the pre-bid meetings with potential construction bidders and answer all questions or requests for clarification from potential bidders.
- 6.2 **Records Management:** The Consultant shall develop, issue, and maintain records of Document Addenda and all correspondence directed towards the Consultant.
- 6.3 **Bid Package Preparation:** Prepare fifty (50) complete contract bid document packages for each construction contract. Provide services to reproduce and distribute the number of contract bid documents for each bid package for solicitation of bidders' proposals. A copy of the Final Geotechnical report and potholing data shall accompany each construction bid package. Supply ten (10)

sets of complete construction drawings and specifications for the successful contractor.

7.0 Construction Phase

- 7.1 Weekly Field Meetings:** The Consultant shall participate in weekly construction progress meetings, and respond to all design related RFI's, RFC's, and other issues.
- 7.2 Shop Drawing Review:** The Consultant shall review all shop drawings and other submittals and return to the Contractor within five working days with appropriate comments, changes, and/or approvals/rejection status. The Consultant shall maintain a database of all RFI, RFC's, change orders, correspondence, and submittal review status.
- 7.3 Contract Drawing Changes:** As necessary and as requested by the Project Manager, prepare revisions to contract drawings and/or specifications to resolve conflicts of interest resulting from differing site conditions or conflicts in the design due to unexpected conditions. The Consultant shall budget for a total of \$200,000 to be used for bidding purposes to address field design changes.
- 7.4 Record Drawings:** The Consultant shall participate in the Final Walk through for each project phase. The Consultant shall prepare record drawings and provide a completed set of mylars and electronic copy in the most recent version of AutoCAD to the District's Project Manager within 30 calendar days from project acceptance.
- 7.5 Operations and Maintenance Manual Review:** The Consultant shall review all operation and maintenance manuals and provide changes and/or comments to ensure functional documentation is provided to allow District staff to safely and efficiently maintain all facilities.

II. PROJECT SCHEDULE

The following dates reflect the anticipated schedule for soliciting proposals, selecting the Consultant, awarding the contract, and completing the work requested in this RFP:

▪ Issue Notice of Award (after Board approval)	01/31/06
▪ Notice to Proceed	03/01/06
▪ Kickoff Meeting	03/02/06
▪ 30% Design Submittal Due	06/21/06
▪ Permitting Package Submittal	06/21/06
▪ 60% Design Submittal Due	08/01/06
▪ Material Procurement Identification Submittal	08/01/06
▪ Manufacturer's Workshop	08/07/06

- Material Procurement Packages Due 08/30/06
- 90% Design Submittal Due 09/11/06
- Final Contract Documents 10/03/06
- All permits obtained 12/06/06

It is the responsibility of the Consultant to take into account the deadlines and other schedule requirements listed above. It is Central Basin's intent to use the schedule submitted by the Consultant to administer the Consultant's contract. If the Consultant is not able to meet the dates as stated above, exceptions must be clearly noted in the Proposal.

Attachment 1 – Consultant Scope Proposal Clarification and Additions

The following items reflect clarifications and/or additions to the required scope of work submitted by the Consultant:

Scope of Work

The Consultant has assumed the following parameters in developing their proposal and corresponding fee.

1. That the alignment will not significantly change from that shown in the Request for Proposal (RFP).
2. That the pump station will be a new facility and that it will be constructed under a separate contract.
3. That the pipeline will be issued as one set of documents, but will be split into two bid schedules.
4. That a total of five separate procurement packages have been assumed: pipe, pipeline isolation valves, pumps/drives (including VFDs), switchgear/MCCs, and stand-by generator.

Design Deliverables

Survey, Field Reconnaissance, and Data Collection

- a. The Consultant will perform a reconnaissance survey to familiarize the team with the alignment corridor, develop a photographic inventory, and to identify difficult construction areas and potential staging areas.
- b. Existing reports, data, right-of-way maps, drawings, and specifications will be obtained from Central Basin, as well as from the impacted agencies along the pipeline alignment. Data on existing pumping facilities and pipelines will be obtained to assist in hydraulic analysis.

Preliminary Pipeline Design

Although the alignment is not anticipated to change from that shown in the California Environmental Quality Act (CEQA) documents, some minor adjustments within this corridor may be necessary as a result of utility conflicts or permitting agency requirements during final design.

Preliminary Design Report

The Consultant will prepare a PDR to document decisions made in the Predesign Phase of the project. Direction for the final design will include recommended pipeline alignment, undercrossing methods, materials, and construction packaging. Provisions for surge control in both the pipeline and the pump station will be presented as well as recommendations for corrosion control for both facilities. The draft report will be submitted to Central Basin and a review meeting

held to receive Central Basin comments. A final report will be prepared reflecting these comments.

30% Design Submittal

- a. The Consultant will prepare utility relocation preliminary designs for those utilities that must be moved.
- b. The Consultant will prepare a tunnel methods analysis for each utility undercrossing to determine the most suitable method(s) for each case and recommendations developed to implement the preferred alternatives.

Field Investigation & Utility Research

Geotechnical Investigation

- a. The Consultant shall be responsible for disposal of all hazardous spoils materials resulting from field investigative work. Central Basin will sign the bill of lading for transport of the material by an authorized District employee.
- b. The Consultant will develop and provide a trenchless technology investigation with the geotechnical information to determine construction methods, materials and alternative alignments. Plans to be prepared for the trenchless sections include shaft excavation, temporary support, connections, typical pipe/casing sections, and various details.

Corrosion Investigation

The Consultant will conduct a corrosion investigation and summarize the findings in the PDR. This investigation will incorporate soil tests, analyze the corrosive effects of native soils, groundwater and stray currents on the proposed pipeline. Recommendations will be developed for corrosion monitoring, cathodic protection systems, trench backfill materials, pipeline protection in areas of contaminated soils and other facilities required to protect the pipe and pump station equipment.

Quality Assurance/Quality Control/Costs

The Consultant will ensure that all submittals to Central Basin will be reviewed by qualified individuals not directly involved in the day to day project execution. These reviews will be conducted and documented per established quality control procedures. The following documents and activities will be reviewed under this task:

- a. Preliminary Design Report
- b. Equipment and Material Pre-procurement Packages
- c. 30 Percent Submittal
- d. 60 Percent Submittal
- e. 90 and 100 Percent Submittals
- f. Cross Discipline Check

- g. Project Closeout
- h. Opinions of Probable Costs

Meeting Coordination

Consultant Coordination

The Consultant will prepare a detailed work plan to delineate task assignments, schedule, budgets, communications protocols, QA/QC procedures, and deliverables. This document will be the guideline for the project team for successful execution of the project.

Additional Scope Work

If necessary, the District will work with the Consultant to evaluate and determine if additional efforts to complete contractual tasks are above and beyond the Consultant's scope. The District shall compensate the Consultant for agreed upon additional scope of work in accordance with the rates established in attachment 2b and the negotiated number of hours.



**MONTEBELLO LOOP
PIPELINE ALIGNMENT STUDY**

DRAFT PRELIMINARY DESIGN REPORT

Prepared for:

Central Basin Municipal Water District

MAY 2003

Prepared by:



TETRA TECH, INC.

3475 East Foothill Blvd., Suite 300
Pasadena, CA 91107
(626) 351-4664

TABLE OF CONTENTS

	<i>Page</i>
1.0 Executive Summary	1
2.0 Background	3
2.1 Authorization	3
2.2 Scope of Work	3
2.3 Project Description.....	4
3.0 Technical Memorandum No. 1	8
3.1 Alignment Analysis.....	8
3.1.1 General	8
3.2 Alternate Alignment A.....	8
3.2.1 Description	8
3.2.2 Potential Customers.....	10
3.2.3 Existing Utility Information	11
3.2.4 Distinctive Construction.....	11
3.2.5 Easement Acquisition.....	12
3.2.6 Permits.....	12
3.2.7 Traffic Control.....	13
3.2.8 Cost/Benefit Ratio.....	13
3.3 Alternate Alignment B.....	14
3.3.1 Description	14
3.3.2 Potential Customers.....	14
3.3.3 Existing Utility Information	16
3.3.4 Distinctive Construction.....	17
3.3.5 Easement Acquisition.....	18
3.3.6 Permits.....	18
3.3.7 Traffic Control.....	18
3.3.8 Cost/Benefit Ratio.....	19
3.4 Alternate Alignment C.....	19
3.4.1 Description	19
3.4.2 Potential Customers.....	22
3.4.3 Existing Utility Information	23
3.4.4 Distinctive Construction.....	23
3.4.5 Easement Acquisition.....	25
3.4.6 Permits.....	25
3.4.7 Traffic Control.....	25
3.4.8 Cost/Benefit Ratio.....	26
3.5 Alignment Comparison.....	26
4.0 Conclusion	27

1.0 EXECUTIVE SUMMARY

The proposed alignment is the final step to enclosing a recycled water system constructed, owned and operated by the Central Basin Municipal Water District (Central Basin). The alignment, commonly known as the Montebello Loop, will connect with the existing recycled water line in Pico Rivera at the San Gabriel River Pkwy., and run westerly to Vernon where it will connect to an existing recycled water line in Boyle Avenue. Four alternate alignments were chosen for this purpose. The alternate routes are named Alternate's A, B, C1 and C2. They span approximately 12 miles across this area of Los Angeles.

The alignment alternates were evaluated to determine the most cost effective means of completing the recycled water system. The evaluation takes into account constructability, including existing utility crossings, distinctive construction and length of pipe, potential customers, community impacts, cost of construction, and return on investment. Also completed during the evaluation was a hydraulic analysis of each alignment. This analysis provides the optimum diameter for the pipeline and pressures along the pipeline. The recommended alignment, Alternate B, was chosen based on this evaluation.

Alternate B starts along Beverly Blvd. in Pico Rivera and continues west into Montebello. It takes a route along the northern border of the city then comes down to Olympic Blvd. and continues west through Commerce, East Los Angeles and into Vernon via Downey Avenue. This alternate scored highest in the matrices developed to evaluate the constructability of each alignment. It had the least amount of borings, favorable construction costs, and the most favorable traffic control conditions, and lessons the impact to major surface streets. The alternate also scores the best in the Cost/Benefit Ratio. This is partially due to the Montebello Golf Course lateral which if constructed is a major contributor to a positive economic return on the pipeline. Although Alternate C1 and C2 pick up some highly desirable customers along their route, the cost for constructing these alternates offset any gain from customer revenue.

Each alternate has issues with traffic control, impacts to local businesses and residents, and constructability. The area through which the pipeline would lie is a heavy industrial area. There are several roadways that are used as trucking routes for the local business. The pipeline will be designed to best accommodate these businesses and trucking patterns during construction. Construction may be difficult in these areas however due to the amount of large utilities located throughout the area and the location of railroads and major intersections.

Permitting issues will have to be resolved through the affected agencies. Outside of obtaining a permit for construction from the individual cities, permits will also have to be obtained through Caltrans for any work done within, above, or below their right of way. Permits will also have to be obtained from the affected railway agencies and the Los Angeles County Department of Public Works, Flood Control.

The proposed alignment requires the construction of 8-inch through 30-inch diameter pipeline. The pipeline shall be competitively bid with steel and ductile iron pipe that have been adequately protected against corrosive soils. A more definitive outline of the protective requirements for metal pipes will follow the recommendations of the corrosivity report, once that is done. As a potential cost saving option, 8 and 12 inch laterals may be bid as PVC pressure pipe. PVC pipe material eliminates the requirements for corrosion protection.

The project consists of approximately 54,000 feet of 30-inch diameter pipe, 7200 feet of 24-inch diameter pipe, 400 feet of 20-inch diameter pipe, 16,000 feet of 12-inch diameter pipe, and 37,000 feet of 8-inch diameter pipe for a total of 115,000 feet of pipeline. The pipes shall vary in pressure class from 150 psi to 300 psi, minimum working pressure. Construction is anticipated to take 3 years.

The preliminary capitol cost used for the Cost/Benefit Ratio analysis is \$49,717,300. This includes production, operations and maintenance fees, administrative cost and lost potable water revenue. The proposed Alternate B alignment generates approximately \$43,133,380. Based on the present worth of these two figures, the Cost/Benefit Ratio for this project is .87.

2.0 BACKGROUND

2.1 Authorization

Introduction

Central Basin Municipal Water District (Central Basin) issued a notice to proceed and authorized Tetra Tech, Inc. to prepare a pipeline alignment study for what is commonly known as the “Montebello Loop”. The study will analyze various alternate alignments to determine the most cost effective alignment to complete the upper reach of the Central Basin Recycled Water System. The analysis of the alignment shall include constructability due to utilities, traffic, railroad crossings, permit requirements (e.g. pavement restoration and work hours) construction costs, ability to provide recycled water to potential customers, cost/benefit ratio, and other engineering, financial, and community factors.

2.2 Scope of Work

The study for the Montebello Loop provides a comprehensive analysis of the pipeline alignment and construction for the service areas of Pico Rivera, Montebello, City of Commerce, East Los Angeles, Bell, Los Angeles and Vernon. The analysis includes the following summarized tasks:

Research, obtain and review documents available from the District, and all effected locally impacted water purveyors, local cities and municipal utilities as required to prepare this study. Central Basin provided the following documents for use in the analysis. At a minimum the District will provide relevant materials including:

- The 2000 Central Basin Master Plan
- Construction Drawings
- GIS Data Maps
- Potential Recycled Water Customer Base
- H2ONet Hydraulic Model

The project team met with representatives from city planning departments of all impacted cities to establish alignment criteria such as moratorium identification, traffic concerns, and economic impacts to commercial districts for the proposed pipeline alignments.

To further assess additional potentially significant impacts, meetings were conducted with other utility and agencies whose facilities may be affected by the subject pipeline. These include, but are not limited to, Caltrans, regional utility and power agencies and communications (cable and telephone).

The project team arranged and participated in informal meetings with Central Basin to review progress and exchange ideas and information.

Existing documents, reports, and information reviewed, including master plan reports, construction plans, specifications, and other related information.

Three separate alignment alternates analyzed. Each alternate was evaluated based on the criteria described under Section 2.3, “Project Description”. The purpose of the analysis is to determine the most cost effective (greatest cost/benefit ratio) alternate alignment would offer the District the greatest

optimal

flexibility for future expansion, and determine required pipe sizes utilizing the existing H2ONet hydraulic model.

2.3 Project Description

The Study consists of three major components:

- Development of Alternates
- Potential Recycled Water Customer Analysis
- Hydraulic Model Analysis

The following is a brief description of each, and their components:

Development of Alternates

Three possible alignments for the Montebello Loop were developed as part of a previous design and planning effort. These proposed alignments, as defined below, shall be evaluated and optimized as part of this study.

Alternate A: The Olympic Blvd/Beverly Blvd Alignment

Pipeline design drawing for this alignment as shown in Figure 1, were completed to the 75% level and submitted to Central Basin in 1993. Potential recycled water users located within a quarter mile of the proposed pipeline are shown.

Alternate B: The Master Plan/Olympic Blvd. Alignment

This alignment differs from Alternate A alignment in that it minimizes use of major surface streets through commercial districts within the City of Montebello. This alignment also possibly minimizes lateral construction to a group of potential users just north of Beverly Blvd. including a large lateral to Montebello Golf Club. The alignment is shown in Figure 2.

Alternate C: The Bandini Blvd/Garfield Ave./Lincoln Ave. Alignment

This alignment differs from the Alternate B alignment in that the western portion of the loop is routed south of the railroad corridor to connect large industrial users then proceeds northerly to the Montebello Golf Club. This alternate includes two (2) sub-alternates between Bandini Ave. and the railroad corridor. Figures 3 & 4 provide a pictorial representation of this alignment, including the subalternates.

The evaluation of each alignment included:

- Verifying utilities in terms of available space within the right of way.
- Defining the capital programs of the various cities and agencies having jurisdiction with recommendations to optimize/re-route the alignment based on these five-year capitol programs as required.
- Analyzing traffic impacts and community/business impacts with recommendations for alignment adjustments to maximize construction hours (or minimize impacts) within a particular district or city.
- Adjusting Montebello Loop transmission alignments to maximize potential recycled water customers within a quarter mile of the proposed transmission main centerline, and

- recommending adjustments to the alignment as required to efficiently service these connections (adjustment to the transmission main as compared to constructing longer service laterals determining the most cost effective approach)
- Developing engineer estimates of probable cost for the optimized alignment including cost to construct the service laterals to potential customers.
 - Value engineering of the alignment to minimize overall construction cost of the pipeline including alternate pipe crossing analysis of railroads, freeways, and river channels, and recommend alignment changes based on the analysis as appropriate.
 - Evaluating the cost effectiveness of the proposed optimized alignment based on the estimated cost of construction relative to the customers served utilizing the cost-benefit defined in Section VI of the Central Basin 2000 Master Plan.

Potential Recycled Water Customer Analysis:

The Master Plan identified over 1500 potential recycled water users. For the study, the alignments show only users that are within a quarter mile of the centerline of the recycled water main. The location of the existing water service to each site was verified as part of this analysis. The potential user flow data shown is to be used in the cost-benefit analysis calculations.

Hydraulic Modeling Analysis:

The Central Basin hydraulic model was used to verify the optimum pipeline diameters required along the Montebello Loop. The Central Basin model is based upon the 2000 Master Plan, with modifications made by the District for actual customers now online.

Pipeline alignment B was modeled, using flow parameters of approximately 13,000 gpm from the Rio Hondo Pump Station and 4,000 gpm at the Cerritos Pump Station (per the District's correspondence dated April 29th, 2003). To operate the system within these supply constraints, demands along pipeline alignment B were modeled with a peaking factor of 2, over a 24 hour period, to mirror the District's simulation. If more representative peaking factors are desired to simulate the various industrial and irrigation users along the loop, more supply will be required from the Rio Hondo and/or Cerritos Pumps Stations.

Operating within these supply constraints, Figure A illustrates that a 30 inch pipeline is required at the connection to the existing Rio Hondo pump station system to junction 7080, in northern Vernon. From junction 7080 to the Marlburg lateral a 24 inch pipeline is required. An 18" pipeline is required from the Marlburg lateral to the existing Huntington Park 18" point of connection. These sizes are based upon a preliminary list of users provided by the District, and are likely to increase once a finalized list is agreed upon. Figure B illustrates the output pressures and flows along the loop and into the existing system. Figure B illustrates that pressures are strong throughout the loop and existing system. The input data and output results are also tabulated in Appendix "F".

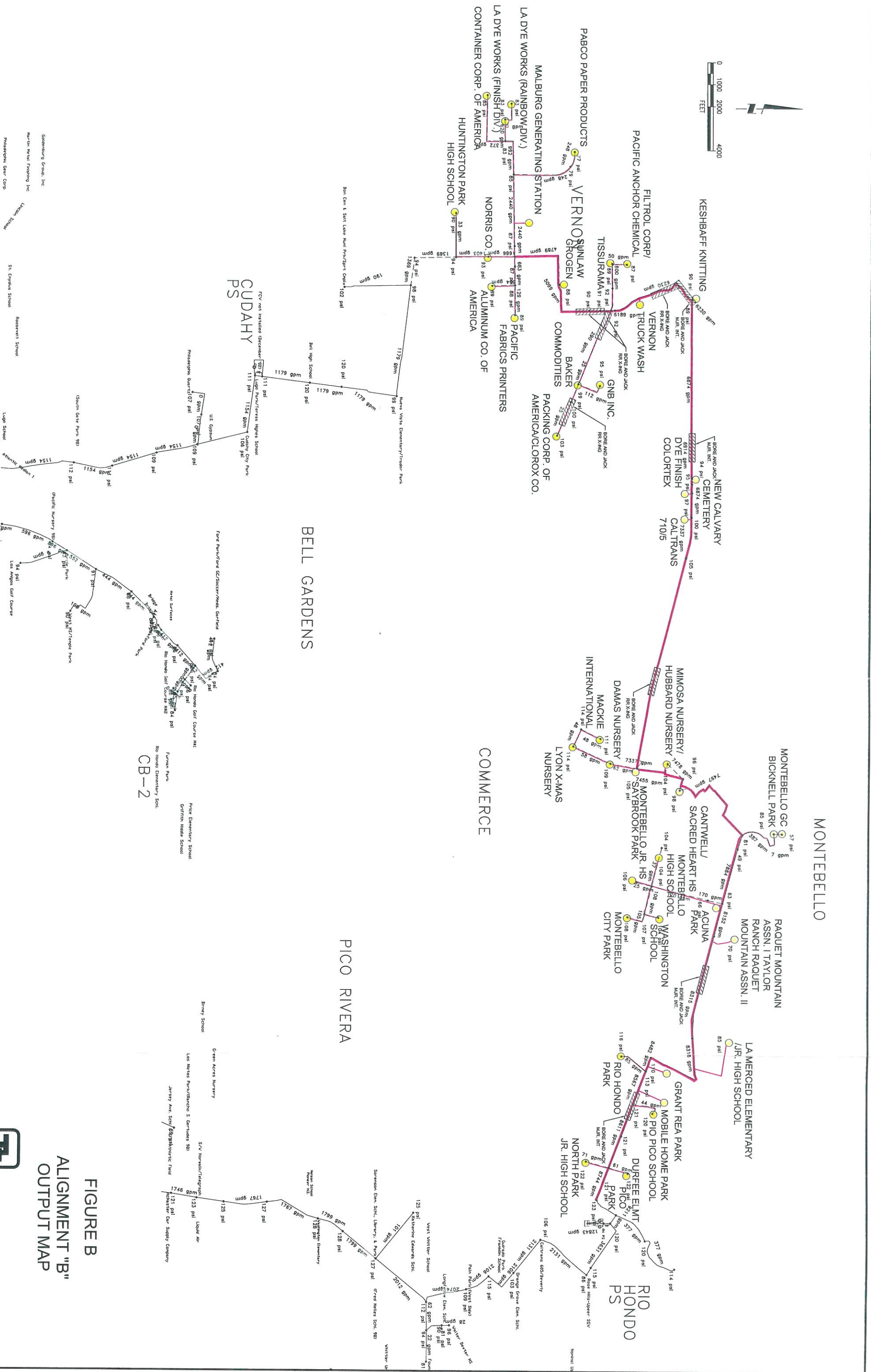


FIGURE B
ALIGNMENT "B"
OUTPUT MAP



3.0 TECHNICAL MEMORANDUM NO. 1

3.1 Alignment Analysis

3.1.1 General

Three alternate's alignments were developed for the Montebello Loop pipeline. The three alternates, as described in Section 2.3, were evaluated on a cost-benefit ratio basis. The greatest cost-benefit ratio would minimize construction costs while maximizing potential recycled water customer connections.

When minimizing the costs of construction several factors need to be evaluated. These factors include, finding the most direct route of the pipeline, the impacts on traffic, the impacts on local businesses, the availability of a utility corridor, work hours, pavement restoration requirements and the crossings of existing utilities, major surface streets, freeways, and drainage channels.

The pipeline alignment evaluation also includes locating potential customers within one quarter mile of the recycled water main. Several key potential customers exist in the area of the proposed route. This includes such customers as the Montebello Golf Club. Part of the evaluation of each alternate alignment is to ensure that the major customers will be connected to the recycled water main while maximizing other potential customer connections as cost effectively as possible.

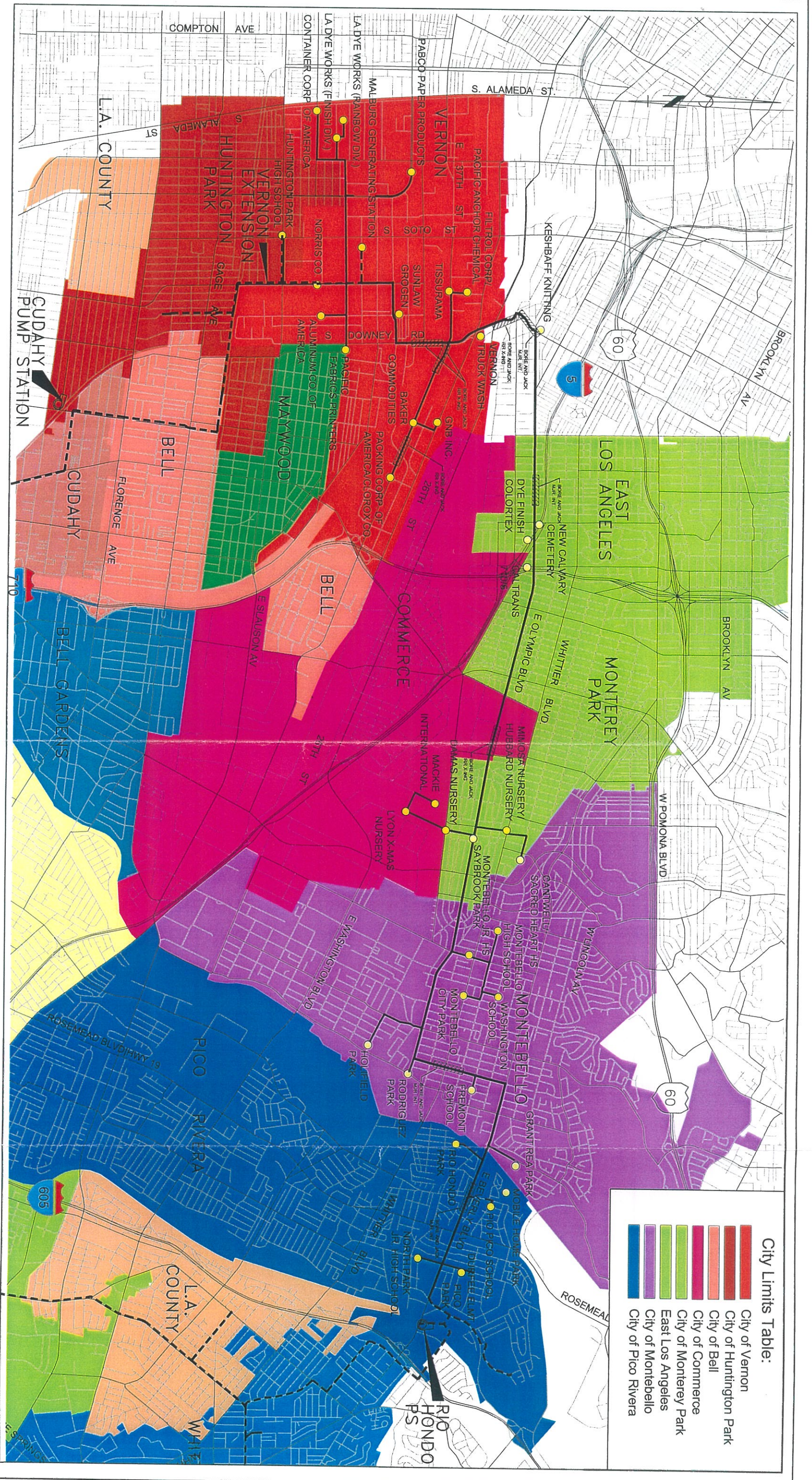
Other factors included in the alignment study consist of adherence to jurisdictional moratoriums, future improvements by others, and potential easement acquisition. Meetings were held with each of the cities potentially impacted by the proposed alignments. A memorandum summarizing the results of these meetings has been provided in Appendix "D".

3.2 Alternate Alignment A

3.2.1 Description

Pipeline design drawings for this alignment, were completed to the 75% level and submitted to Central Basin in 1993, at which point the project was put on hold. Potential recycled water users located within a quarter mile of the proposed pipeline are shown in Figure 1.

This alternate connects to an existing 30-inch recycled water main at the intersection of San Gabriel River Parkway and Beverly Blvd. and continues west along Beverly Blvd. to 4th St. at 4th St. the alignment extends south to Olympic Blvd., and the extends west along Olympic Blvd. through the City of Montebello, into East Los Angeles and turns south towards Downey Ave. at the intersection of Olympic Blvd. and Lorena Street. The alignment continues to Downey Ave. where it then extends south to Packers Ave. It is then routed along Packers Ave. to Boyle Ave., and then continues south on Boyle Ave. to the intersection of 50th Street and Boyle Ave. At this intersection the pipe will connect to an existing 18-inch recycled water main. The total length of this alignment is approximately 10.8 miles.



City Limits Table:

[Red Box]	City of Vernon
[Orange Box]	City of Huntington Park
[Light Orange Box]	City of Bell
[Pink Box]	City of Commerce
[Light Green Box]	City of Monterey Park
[Green Box]	East Los Angeles
[Purple Box]	City of Montebello
[Blue Box]	City of Pico Rivera

--- EXISTING RW PIPELINE
 --- PROPOSED RW PIPELINE
 ● POTENTIAL CUSTOMERS



CENTRAL BASIN MUNICIPAL WATER DISTRICT



TETRA TECH, INC.

MONTBELLO LOOP ALIGNMENT STUDY Alternative A

February 2003

Figure 1

3.2.2 Potential Customers

The location of this pipeline will allow for many key potential customers including several schools and public facilities in Montebello, but would make it difficult to service the Montebello Golf Club. The Montebello Golf Club is expected to be one of the largest users along the alignment and is therefore a highly desirable customer. The distance from the Montebello Golf Club to this alternate alignment is approximately 2 miles.

Table 1
Recycled Water Customers for the Alt. A Recycled Water Main

Customer	Purveyor	Demand (AFY)
Colortex Dye Finishing	Cal. Water Service Co.	333
Damas Nursery	Cal. Water Service Co.	3
Mimosa Nursery	Cal. Water Service Co.	6
Lyon Christmas Tree Nursery	Cal. Water Service Co.	8
Mackie International	Cal. Water Service Co.	24
New Calvalry Cemetery	Cal. Water Service Co.	20
Caltrans 710/5	Cal. Water Service Co.	30
Huntington Park High School	City of Huntington Park	27
Keshbaff Knitting		322
LA Dye Works (Finish Div)	City of Vernon	500
LA Dye Works (Rainbow Div)	City of Vernon	500
Pacific Fabrics	City of Vernon	104
Grant Rae Park	San Gabriel Valley Water Co.	52
Cantwell/Sacred Heart HS	Cal. Water Service Co.	15
Reggie Rodriguez Park	Montebello Land and Water	20
Fremont School	Montebello Land and Water	1
Montebello Jr. HS	Montebello Land and Water	20
Montebello City Park	Montebello Land and Water	33
Montebello HS	Montebello Land and Water	30
Washington School	Montebello Land and Water	1
Pico Park	City of Pico Rivera	25
Rio Hondo Park	City of Pico Rivera	27
Durfee Elementary School	City of Pico Rivera	12
North Park Jr. HS	Pico Water District	14
Pio Pico Elementary	City of Pico Rivera	14
Sunlaw Grogen	City of Vernon	250
Filtrol Corp./Pacific Anchor Chemical	City of Vernon	90
Vernon Truck Wash	City of Vernon	33
Container Corp. of America	City of Vernon	300
Tissurama	City of Vernon	605
Baker Commodities	Cal. Water Service Co.	124
Clorox Co.	Cal. Water Service Co.	333
Aluminum Co. of America	City of Vernon	447
Pabco Paper Products	City of Vernon	200
GNB Inc.	Cal. Water Service Co.	90
Packing Corp of America	Cal. Water Service Co.	20
Total		4633

3.2.3 Existing Utility Information

All cities and agencies responsible for utilities in the vicinity of the alignment were contacted for information on the location of their utilities. A list of resources and contacts has been provided in Appendix "C". From the utility information gathered, cross sections were cut of typical street sections. The cross sections, see Appendix "B", correspond to the various utilities and existing features present along the alignments.

The alignment encounters several large utilities as well as the Rio Hondo River as it makes it way from Pico Rivera to Vernon. Each alignment alternate crosses of the Rio Hondo River as the pipeline extends from the connection point near the Rio Hondo Pump Station to Montebello along Beverly Blvd. The original design for Alternate A planned for the pipeline to be constructed through the bridge crossing the channel, rather than constructing the pipeline beneath the channel. This method of crossing the channel is the most cost effective means and therefore should be sustained through the final design phase of the project.

There are large storms drains maintained by Los Angeles County DPW located within the vicinity of the alignment. This proposed alignment crosses a 78-inch RCP SD at the intersection of 4th Street and Beverly Blvd, a 69-inch RCP SD and 80-inch RCP SD at the intersection of Park Ave. and Olympic Blvd., a 13-foot x 15.5-foot RC SD Box east of the intersection of 18th St. and Olympic Blvd., a 8.5-foot x 12-foot RC SD Box at the intersection of Garfield Ave. and Olympic Blvd., a 51-inch RCP SD at the intersection of Hendricks Ave. and Olympic Blvd., an 84-inch RCP SD at the intersection of Clela Ave. and Olympic Blvd., a 60-inch RCP SD at Arizona Ave. and Olympic Blvd., a 54-inch RCP SD and a 14.5-foot x 10.5 foot RC SD Box west of the intersection of Ford Blvd. and Olympic Blvd., an 8-foot x 12-foot RC SD Box at the intersection of Gage Ave. and Olympic Blvd., a 66-inch RCP SD and 14-foot x 7-foot RC SD Box at the intersection of De La Torre Way and Olympic Blvd., and a 13.7-foot x 7-foot SD at the intersection of 26th St. and Downey Avenue. None of these crossing would prohibit the proposed pipeline from being constructed.

Other notable utility crossings include a 26-inch gas main at 14th St. and Lorena St., a 30-inch gas main at the intersection of Spence Street and Olympic Blvd., a 30-inch gas high pressure gas main at the intersection of Paramount Blvd. and Beverly Blvd., as well as a 45-inch sewer at this same intersection, and a 73-MWD Water Main at the intersection of Vail Ave. and Olympic Blvd. Special consideration will need to be given towards the design of the pipeline around these existing utilities. In most cases, the pipeline will need to be encased in concrete or slurry backfilled per the individual agency standards.

All utility agencies are to be notified of the potential work as part of the final design scope of work. Plans are to be submitted for their review for verification that existing improvements are shown correctly and, when appropriate, approval of the pipeline alignment.

3.2.4 Distinctive Construction

As the pipeline extends from Pico Rivera to Vernon along the Alternate A alignment, areas will be encountered which will require sometimes difficult and expensive construction. Areas that will hamper construction include channel crossings, freeway crossings, railroad crossings, restrictive utility crossings and areas of contaminated soils.

Methods of construction which will compromise any difficulty in crossing a roadway intersection, utility or drainage channel include using a bore and jack method, use of a concrete encasement, or the use of a slurry backfill. And in the case that the pipeline been installed at a shallow depth special

pipng materials as well as a concrete encasement can be used. Boring and jacking is typical at railroad crossings, and may be used around channel crossings, and crossings of major surface street intersections or freeways. Concrete encasement of the pipeline can be used when the pipeline is constructed in close proximity to other utilities such as sewer, storm drain or water lines. In the case that the recycled water line needs to be installed at a shallow depth, concrete encasement and/or stronger pipe material can also be used to protect the piping from applied loads from the roadways. It is not expected the unusually deep construction will be required anywhere along this alignment. Construction in areas of contaminated soil will require the contaminated materials to be hauled off-site for treatment a new material be brought in for backfill.

Boring and jacking will be necessary along Beverly Blvd. at Paramount Ave, and in 4th Street at Whittier Ave. Along Olympic Blvd., boring and jacking will be necessary at the intersections of De La Torre Way, Gage Ave., an Montebello Avenue. Also, East of Gerhart Ave. at the UPRR crossing boring and jacking will be required, as well as at the railroad crossings north of 45th St. on Downey Ave and the railroad corridor which intersects Downey Ave., north of 26th Street. A boring a jacking installation of a pipeline can be costly and have significant impacts on traffic. The boring pit and receiving pit remain open for the duration of this procedure. The pits can be covered by steel plates during non-working hours, but traffic is to be diverted around the pits at all times. Typically the length and width of the pits do not allow for proper vehicle support.

Shallow installation of the pipeline with concrete encasement will be required at a storm drain crossing near the connection point in San Gabriel River Pkwy, along Olympic Blvd. at Vail Avenue, and west of the intersection of Ford Avenue. There are many utilities which will require a slurry backfill in the vicinity of the recycled water line crossings. These utilities include large diameter or box storm drains, Metropolitan Water District Lines, large diameter sewer lines and gas lines, and large telephone conduits.

At bridge and freeway crossings steel pipe will be necessary as well as careful design considerations. The crossing of the Rio Hondo River the pipe will be installed within the bridge that spans the river. Special structural support will be necessary to attach the pipe to the bridge. This length of pipe will be made of welded steel pipe. As the pipeline extends west on Olympic Blvd., it will cross beneath the 710 Freeway and above the Interstate 5 Freeway. At the crossing of the Interstate 5 intersection the pipe will again be designed to be attached to the bridge. The same requirements will adhere to this bridge attachment as the Rio Hondo River bridge attachment. Special provisions will not be necessary at the crossing of the 710 Freeway. The freeway passes overhead providing enough space for the pipe to be installed using conventional construction methods.

3.2.5 Easement Acquisition

Easement acquisition can be limited if the pipeline is built in the public right-of-way. The Alignment Alternate A will make use of the public right-of-way as it is to be designed in the major public roadways mentioned in Section 3.2.1. The acquisition of easements may be necessary for some of the service laterals, however.

3.2.6 Permits

The following agencies will require permits for this alignment:

- City of Pico Rivera
- City of Montebello
- City of East Los Angeles

CENTRAL BASIN MUNICIPAL WATER DISTRICT

TETRA TECH, INC.

- City of Los Angeles
- City of Monterey Park
- City of Vernon
- Union Pacific Railroad (UPRR)
- Metrolink
- Burlington North Santa Fe Railroad (BNSF)
- Caltrans
- Los Angeles County Department of Public Works, Flood Control
- Cal OSHA Mining and Tunneling Unit

Permits are generally required for all construction with in cities. The specific railroad companies also require a permit for construction. As mentioned above, boring and jacking of the pipe beneath the railroads is the preference so as to minimize disturbance to railway traffic.

3.2.7 Traffic Control

The alignment passes through a mix of heavy residential and heavy industrial areas. In these areas the surface streets receive heavy volumes of traffic. For this alignment alternate, the major streets which receive the highest volume of traffic include Beverly Boulevard, 4th Street, Olympic Blvd., and Downey Avenue. To mitigate traffic impacts, the proposed pipeline should be placed in a location of the street which would minimize construction interference with normal traffic patterns. Jurisdictional agencies may require the pipeline to be constructed via bore and jack method when crossing major intersections.

For all of the streets that are to be impacted by the proposed alignment, traffic control shall minimize lane and street closures and the effect of construction on local residents, businesses and schools. The contractor may be required to build specific parts of the alignment during school closures or restricted times.

Although boring and jacking across major intersections may seem better than open trench installation, traffic control does not typically benefit. With open trench construction, installation can be performed in stages to ensure that at least one of two lanes remains open. If installation is incomplete at the end of the workday, the trench can be steel plated to provide full lane openings for heavy traffic conditions. Bore and jack pits do not provide the same flexibility. If the pits are located within the roadway, traffic control must be provided until the installation is complete because the pits are too large to provide proper traffic loading support from steel plates. Since the pits remain until installation is complete, K-trail is required around the boring and jacking pits to ensure that no one unintentionally drives into the pits. The K-trail remains in place 24-hours a day until the bore is complete.

3.2.8 Cost/Benefit Ratio

Preliminary cost estimates were developed for each alignment alternate as part of this report and are included as appendix E. The estimates were used to develop a cost benefit ratio for each alignment. The cost/benefit ratio represents the relative cost effectiveness of constructing a pipeline extension to customers by weighing the capitol, operational, and maintenance costs against the revenue generated from customers and grants. Ratios less than one (1), conclude that the present worth capitol costs outweigh the present worth revenue generated by the installation of the line for a 25-year period. A ratio greater than one (1) reflects a cost effective alignment option for the same present worth analysis. This ratio was developed in a method outlined by the West Basin Municipal Water District. The cost/benefit ratio is included as part of appendix C. As shown, the result for Alternate A is 0.84.

3.3 Alternate Alignment B

3.3.1 Description

This alignment minimizes the use of major surface streets through commercial districts within the City of Montebello. This alignment also possibly minimizes lateral construction to a group of potential users just north of Beverly Blvd. including a large lateral to Montebello Golf Club, as shown in Figure 2.

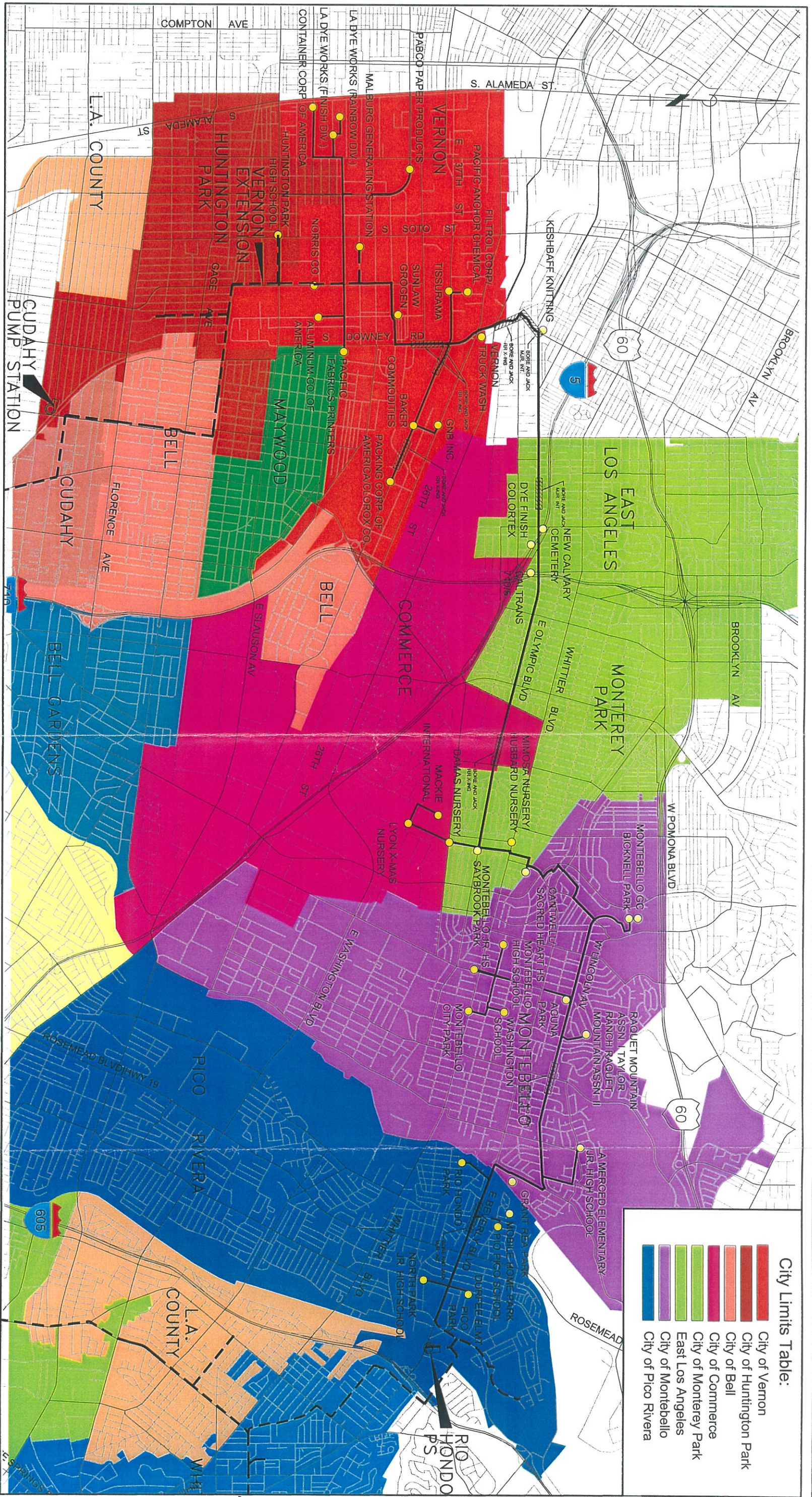
This alternate connects to a 30-inch recycled water main at the intersection of San Gabriel River Parkway and Beverly Blvd. The pipeline then extends west on Beverly Blvd. to Rea Drive. The pipeline then extends north on Rea Dr. to Lincoln Ave and turns west on Lincoln Avenue. The alignment follows Lincoln Avenue west to the intersection of N. Hay Street. From this intersection the pipeline extends south and is routed to Olympic Blvd. At Olympic Blvd. the pipeline turns west and extends up Olympic Blvd. until it reaches the intersection of Lorena Street. The alignment continues to Downey Ave. where it then extends south to Packers Ave. It is then routed along Packers Ave. to Boyle Ave., and then continues south on Boyle Ave. to the intersection of 50th Street and Boyle Ave. At this intersection the pipe will connect to an existing 18-inch recycled water. The total length of this alignment is approximately 11.6 miles.

3.3.2 Potential Customers

This alternate would allow for service connections to be made to several major potential customers including the Montebello Golf Club. To connect to the golf course, a lateral would extend off of Lincoln Ave, north approximately 2100 feet to the golf course. This alignment would also continue to allow for service connections to the cluster of schools, south of Lincoln Blvd, as well as target potential users along Olympic Blvd. and through Vernon.

Table 2
Recycled Water Customers for the Alt. B Recycled Water Main

Customer	Purveyors	Demand (AFY)
Colortex Dye Finishing	Cal. Water Service Co.	333
Damas Nursery	Cal. Water Service Co.	3
Mimosa Nursery	Cal. Water Service Co.	6
Lyon Christmas Tree Nursery	Cal. Water Service Co.	8
Mackie International	Cal. Water Service Co.	24
New Calvalry Cemetery	Cal. Water Service Co.	20
Caltrans 710/5	Cal. Water Service Co.	30
Huntington Park High School	City of Huntington Park	27
Keshbaf Knitting		322
LA Dye Works (Finish Div)	City of Vernon	500
LA Dye Works (Rainbow Div)	City of Vernon	500
Pacific Fabrics	City of Vernon	104
Montebello Golf Club	Cal Water Service Co	346
Grant Rae Park	San Gabriel Valley Water Co.	52
Acuna Park	Montebello Land and Water	31
Cantwell/Sacred Heart HS	Cal. Water Service Co.	15
Bicknell Park	Cal. Water Service Co.	6
Raquet Mountain	Cal. Water Service Co.	32



City Limits Table:

[Red]	City of Vernon
[Orange]	City of Huntington Park
[Light Orange]	City of Bell
[Pink]	City of Commerce
[Light Green]	City of Monterey Park
[Green]	East Los Angeles
[Light Blue]	City of Montebello
[Dark Blue]	City of Pico Rivera

--- EXISTING RW PIPELINE
 --- PROPOSED RW PIPELINE
 ● POTENTIAL CUSTOMERS



CENTRAL BASIN MUNICIPAL WATER DISTRICT



TETRA TECH, INC.

MONTABELLO LOOP ALIGNMENT STUDY Alternative B

February 2003

Figure 2

Customer	Purveyors	Demand (AFY)
Montebello Jr. HS	Montebello Land and Water	20
Montebello City Park	Montebello Land and Water	33
Montebello HS	Montebello Land and Water	30
La Merced Jr. HS	San Gabriel Valley Water Co.	1
Washington School	Montebello Land and Water	1
Pico Park	City of Pico Rivera	25
Rio Hondo Park	City of Pico Rivera	27
Durfee Elementary School	City of Pico Rivera	12
North Park Jr. HS	Pico Water District	14
Pio Pico Elementary	City of Pico Rivera	14
Sunlaw Grogen	City of Vernon	250
Filtrol Corp./Pacific Anchor Chemical	City of Vernon	90
Vernon Truck Wash	City of Vernon	33
Container Corp. of America	City of Vernon	300
Tissurama	City of Vernon	605
Baker Commodities	Cal. Water Service Co.	124
Clorox Co.	Cal. Water Service Co.	333
Aluminum Co. of America	City of Vernon	447
Pabco Paper Products	City of Vernon	200
GNB Inc.	Cal. Water Service Co.	90
Packing Corp of America	Cal. Water Service Co.	20
	Total	2669

5028

3.3.3 Existing Utility Information

All cities and agencies responsible for utilities in the vicinity of the alignment were contacted for information on the location of their utilities. Resources and contacts has been provided in Appendix "D". From the utility information gathered, cross sections were able to be cut of typical street sections. The cross sections, see Appendix "B", correspond to the various utilities and existing features present along the alignment.

The alignment encounters several large utilities as well as the Rio Hondo River which is typical with each alignment alternate (see Section 3.2.3 for description). Large utility crossings include storm drains, sewers, water lines and gas lines. Large storm drains are encountered throughout this alignment alternate. The crossings occur at a 51-inch RCP SD existing at the intersection of Hendricks Ave. and Olympic Blvd., an 84-inch RCP SD at the intersection of Clela Ave. and Olympic Blvd., a 60-inch RCP SD at Arizona Ave. and Olympic Blvd., a 54-inch RCP SD and a 14.5-foot x 10.5 foot RC SD Box west of the intersection of Ford Blvd. and Olympic Blvd., an 8-foot x 12-foot RC SD Box at the intersection of Gage Ave. and Olympic Blvd., a 66-inch RCP SD and 14-foot x 7-foot RC SD Box at the intersection of De La Torre Way and Olympic Blvd., and a 13.7-foot x 7-foot SD at the intersection of 26th St. and Downey Avenue. None of these crossing would prohibit the proposed pipeline from being constructed.

Other notable utility crossings include a 26-inch gas main at 14th St. and Lorena St., a 30-inch gas main at the intersection of Spence Street and Olympic Blvd., a 30-inch gas high pressure gas main at the intersection of Paramount Blvd. and Beverly Blvd., as well as a 45-inch sewer at this same intersection. Special consideration will need to be given towards the design of the pipeline around

these existing utilities. In most cases, the pipeline will need to be encased in concrete or slurry backfilled per the individual agency standards.

All utility agencies are to be notified of the potential work as part of the final design scope of work. Plans are to be submitted for their review for verification that existing improvements are shown correctly and, when appropriate, approval of the pipeline alignment.

3.3.4 Distinctive Construction

As the pipeline extends from Pico Rivera to Vernon along the Alternate B alignment, areas will be encountered which will require sometimes difficult and expensive construction. Areas that will hamper construction include channel crossings, freeway crossings, railroad crossings, restrictive utility crossings and areas of contaminated soils.

Common methods of construction used to protect the pipeline or existing utilities and avoid difficult and expensive construction include boring and jacking the pipeline, the use of a concrete encasement or the use of a slurry backfill. And in the case that the pipeline been installed at a shallow depth special piping materials as well as a concrete encasement can be used. Boring and jacking is typical at railroad crossings, and may be used around channel crossings, and crossings of major surface street intersections or freeways. Concrete encasement of the pipeline can be used when the pipeline is constructed in close proximity to other utilities such as sewer, storm drain or water lines. In the case that the recycled water line needs to be installed at a shallow depth, concrete encasement and/or stronger pipe material can also be used to protect the piping from applied loads from the roadways. It is not expected the unusually deep construction will be required anywhere along the alignment. Construction in areas of contaminated soil will require the contaminated materials to be hauled off-site for treatment a new material be brought in for backfill.

Boring and jacking will be necessary along Beverly Blvd. at Paramount Ave., and in Lincoln Ave. at the intersection of Montebello Avenue. Along Olympic Blvd., boring and jacking will be necessary at the intersections of De La Torre Way, Gage Avenue. Also, East of Gerhart Ave. at the UPRR crossing boring and jacking will be required, as well as at the railroad crossings north of 45th St. on Downey Ave and the railroad corridor which intersects Downey Ave., north of 26th Street. A boring a jacking installation of a pipeline can be costly and have significant impacts on traffic. The boring pit and receiving pit remain open for the duration of this procedure. The pits can be covered by steel plates during non-working hours, but traffic is to be diverted around the pits at all times. Typically the length and width of the pits do not allow for proper vehicle support.

Shallow installation of the pipeline with concrete encasement will be required at a storm drain crossing near the connection point in San Gabriel River Pkwy, along Olympic Blvd., west of the intersection of Ford Avenue. There are many utilities which will require a slurry backfill in the vicinity of the recycled water line crossings. These utilities include large diameter or box storm drains, Metropolitan Water District Lines, large diameter sewer lines and gas lines, and large telephone conduits.

At bridge and freeway crossings steel pipe will be necessary as well as careful design considerations. The crossing of the Rio Hondo River the pipe will be installed within the bridge that spans the river. Special structural support will be necessary to attach the pipe to the bridge. This length of pipe will be made of welded steel pipe. As the pipeline extends west on Olympic Blvd., it will cross beneath the 710 Freeway and above the Interstate 5 Freeway. At the crossing of the Interstate 5 intersection the pipe will again be designed to be attached to the bridge. The same requirements will adhere to this bridge attachment as the Rio Hondo River bridge attachment. Special provisions will not be necessary

at the crossing of the 710 Freeway. The freeway passes overhead providing enough space for the pipe to be installed using conventional construction methods.

3.3.5 Easement Acquisition

Easement acquisition can be limited if the pipeline is built in the public right-of-way. The Alignment Alternate B will make use of the public right-of-way as it is to be designed in the major public roadways mentioned in section 3.2.1. The acquisition of easements may be necessary for some of the service laterals, however.

3.3.6 Permits

The following agencies will require permits for this alignment:

- City of Pico Rivera
- City of Montebello
- City of Commerce
- City of Bell
- City of Vernon
- City of East Los Angeles
- City of Monterey Park
- Union Pacific Railroad (UPRR)
- Metrolink
- Burlington North Santa Fe Railroad (BNSF)
- Caltrans
- Los Angeles County Department of Public Works, Flood Control
- Cal OSHA Mining and Tunneling Unit

Permits are generally required for all construction with in cities. The specific railroad companies also require a permit for construction. As mentioned above, boring and jacking of the pipe beneath the railroads is the preference so as to minimize disturbance to railway traffic.

3.3.7 Traffic Control

The alignment passes through a mix of heavy residential and heavy industrial areas. In these areas the surface streets receive heavy volumes of traffic. For this alignment alternate, the major streets which receive the highest volume of traffic include Beverly Boulevard, Lincoln Avenue, Bandini Avenue, and Downey Avenue. To mitigate traffic impacts, the proposed pipeline should be placed in a location of the street which would minimize construction interference with normal traffic patterns. Jurisdictional agencies may require the pipeline to be constructed via bore and jack method when crossing major intersections.

For all of the streets that are to be impacted by the proposed alignment, traffic control shall minimize lane and street closures and the effect of construction on local residents, businesses and schools. The contractor may be required to build specific parts of the alignment during school closures or restricted times.

Although boring and jacking across major intersections may seem better than open trench installation, traffic control does not typically benefit. With open trench construction, installation can be performed in stages to ensure that at least one of two lanes remains open. If installation is incomplete at the end

of the workday, the trench can be steel plated to provide full lane openings for heavy traffic conditions. Bore and jack pits do not provide the same flexibility. If the pits are located within the roadway, traffic control must be provided until the installation is complete because the pits are too large to provide proper traffic loading support from steel plates. Since the pits remain until installation is complete, K-rail is required around the boring and jacking pits to ensure that no one unintentionally drives into the pits. The K-rail remains in place 24-hours a day until the bore is complete.

3.3.8 Cost/Benefit Ratio

Preliminary cost estimates were developed for each alignment alternate as part of this report and are included as Appendix E. The estimates were used to develop a cost benefit ratio for each alignment. The cost/benefit ratio represent the relative cost effectiveness of constructing a pipeline extension to customers by weighing the capitol, operational, and maintenance costs against the revenue generated from customers and grants. Ratios less than one (1), conclude that the present worth capitol costs outweigh the present worth revenue generated by the installation of the line for a 25-year period. A ratio greater than one (1) reflects a cost effective alignment option for the same present worth analysis. This ratio was developed in a method outlined by the West Basin Municipal Water District. The cost/benefit ratio is included as part of Appendix C. As shown, the result for Alternate B is 0.87.

3.4 Alternate Alignment C

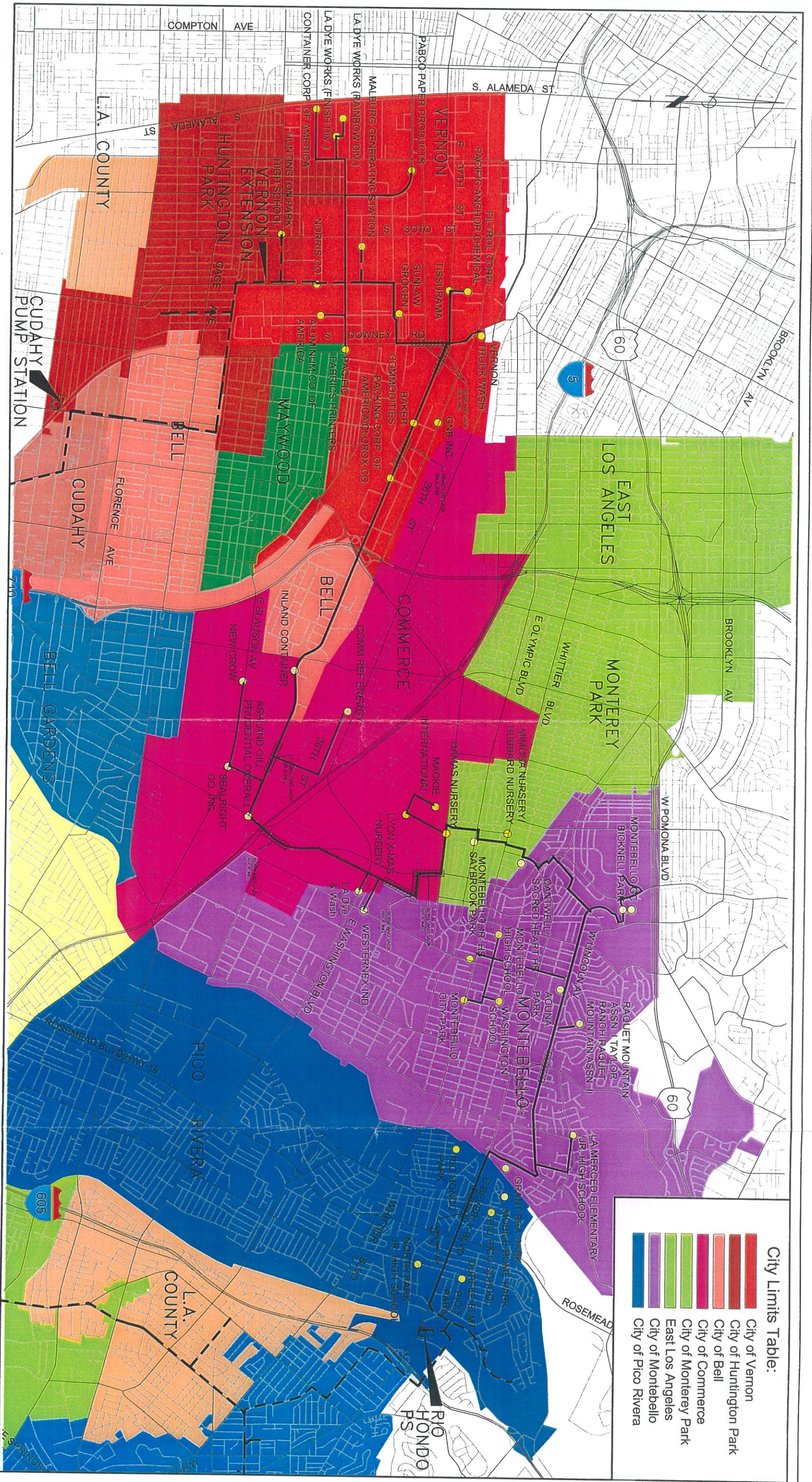
3.4.1 Description

This alignment differs from the Alternate B alignment in that the western portion of the loop is routed south of the railroad corridor to connect large industrial users then proceeds northerly to the Montebello Golf Club.

This alternate connects to a 30-inch recycled water main at the intersection of San Gabriel River Parkway and Beverly Blvd. The pipeline then extends west on Beverly Blvd. to Rea Drive. The pipeline then extends north on Rea Dr. to Lincoln Ave and turns west on Lincoln Avenue. The alignment follows Lincoln Avenue west to the intersection of N. Hay Street. From this intersection the pipeline extends south and is routed to Ferguson Ave. At Ferguson Ave. the alignment extends west to Garfield Ave, then extends south on Garfield Ave to the intersection of Flotilla Street. At the intersection of Flotilla St. two subalternate alignments develop.

The first, referred to as alternate C1, shown as Figure 3, extends east on Flotilla Street to the intersection of Flotilla St. and Yates Avenue. The alignment then extends south on Yates Ave. back to Garfield Ave, continues south on Garfield Ave to Bandini Avenue. At Bandini Ave., the alignment extends west to the intersection of Downey Ave.

The second alternate, referred to as Alternate C2, shown as Figure 4, extends west on Flotilla St. to Saybrook Ave, then extends south on Saybrook Ave. to Corvette Street. The alignment then extends west on Corvette St. to Tubeway Ave, and follows Tubeway Ave. south to Telegraph Road. At Telegraph Rd. the alignment goes north to the intersection of Telegraph rd. and Fedelia Rd., and then follows Fedelia Rd. south to Sheila Street. At Sheila Street the alignment extends east to the end of the roadway, then turns south through vacant land until it intersects Bandini Ave. At Bandini Ave., the alignment extends west to the intersection of Downey Ave.



City Limits Table:

[Red Box]	City of Vernon
[Orange Box]	City of Huntington Park
[Light Orange Box]	City of Bell
[Pink Box]	City of Commerce
[Light Green Box]	City of Monterey Park
[Green Box]	East Los Angeles
[Light Blue Box]	City of Montebello
[Dark Blue Box]	City of Pico Rivera

--- EXISTING RW PIPELINE
 --- PROPOSED RW PIPELINE
 ● POTENTIAL CUSTOMERS



CENTRAL BASIN MUNICIPAL WATER DISTRICT

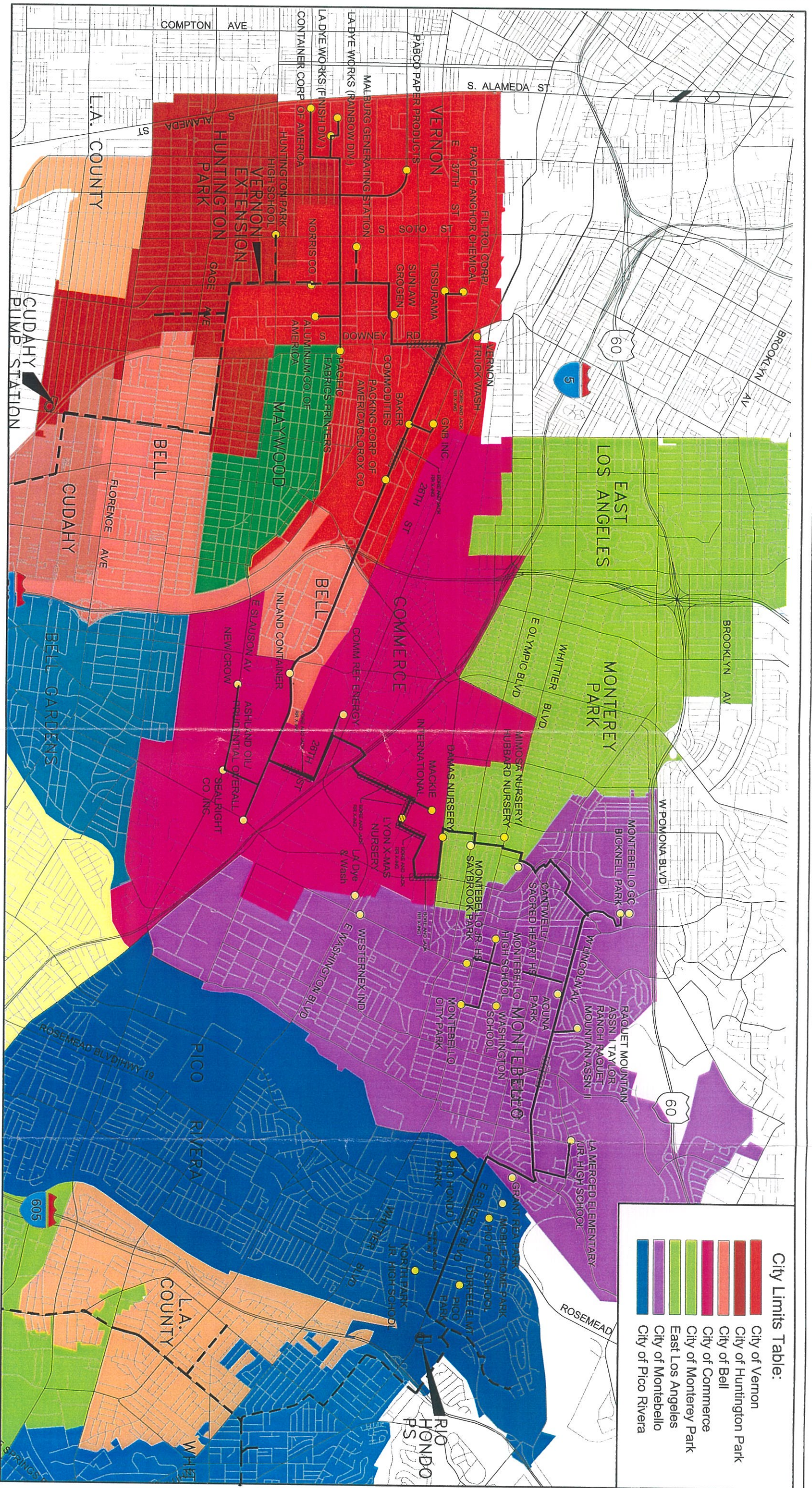


TETRA TECH, INC.

MONTEBELLO LOOP ALIGNMENT STUDY
 Alternative C-1

February 2003

Figure 3



City Limits Table:

[Red Box]	City of Vernon
[Orange Box]	City of Huntington Park
[Light Orange Box]	City of Bell
[Pink Box]	City of Commerce
[Light Green Box]	City of Monterey Park
[Green Box]	East Los Angeles
[Light Blue Box]	City of Montebello
[Dark Blue Box]	City of Pico Rivera

--- EXISTING RW PIPELINE
 --- PROPOSED RW PIPELINE
 ● POTENTIAL CUSTOMERS



CENTRAL BASIN MUNICIPAL WATER DISTRICT



TETRA TECH, INC.

MONTABELLO LOOP ALIGNMENT STUDY
Alternative C-2

April 2003

Figure 4

The alignment then continues south on Downey Ave. to Packers Ave. It is then routed along Packers Ave. to Boyle Ave., and then continues south on Boyle Ave. to the intersection of 50th Street and Boyle Ave. At this intersection the pipe will connect to an existing 18-inch recycled water. The total length of this Alignment C1 is approximately 13.5 miles; the total length of Alignment C2 is approximately 13.8 miles.

3.4.2 Potential Customers

This alternate would allow for service connections to be made to several major potential customers including the Montebello Golf Club. To connect to the golf course, a lateral would extend off of Lincoln Ave, north approximately 2100 feet to the golf course. This alignment would also continue to allow for service connections to the cluster of schools, south of Lincoln Blvd, as well as target potential users along Olympic Blvd and through Vernon.

Table 3
Recycled Water Customers for the Alt. C Recycled Water Main

Customer	Purveyors	Demand (AFY)
Westernex Ind. (Alt C1 only)	Cal. Water Service Co.	111
Ashland Oil/Prudential Overall	City of Commerce	28
Damas Nursery	Cal. Water Service Co.	3
Mimosa Nursery	Cal. Water Service Co.	6
SealRight Co.	City of Commerce	20
Comm Ref Energy	Cal. Water Service Co.	20
New Crow	City of Commerce	25
Lyon Christmas Tree Nursery	Cal. Water Service Co.	8
Mackie International	Cal. Water Service Co.	24
Huntington Park High School	City of Huntington Park	27
LA Dye Works (Finish Div)	City of Vernon	500
LA Dye Works (Rainbow Div)	City of Vernon	500
Pacific Fabrics	City of Vernon	104
Montebello Golf Club	Cal. Water Service Co.	346
LA Dye & Wash (Alt C1 only)	City of Montebello	49
Grant Rae Park	San Gabriel Valley Water Co.	52
Acuna Park	Montebello Land and Water	31
Cantwell/Sacred Heart HS	Cal. Water Service Co.	15
Bicknell Park	Cal. Water Service Co.	6
Raquet Mountain	San Gabriel Valley Water Co.	32
Montebello Jr. HS	Montebello Land and Water	20
Montebello City Park	Montebello Land and Water	33
Montebello HS	Montebello Land and Water	30
La Merced Jr. HS	San Gabriel Valley Water Co.	1
Washington School	Montebello Land and Water	1
Pico Park	City of Pico Rivera	25
Rio Hondo Park	City of Pico Rivera	27
Durfee Elementary School	City of Pico Rivera	12
North Park Jr. HS	Pico Water District	14
Pio Pico Elementary	City of Pico Rivera	14
Sunlaw Grogen	City of Vernon	250
Filtrol Corp./Pacific Anchor Chemical	City of Vernon	90

CENTRAL BASIN MUNICIPAL WATER DISTRICT

TETRA TECH, INC.

Customer	Purveyors	Demand (AFY)
Vernon Truck Wash	City of Vernon	33
Container Corp. of America	City of Vernon	300
Tissurama	City of Vernon	605
Baker Commodities	Cal. Water Service Co.	124
Clorox Co.	Cal. Water Service Co.	333
Aluminum Co. of America	City of Vernon	447
Pabco Paper Products	City of Vernon	200
GNB Inc.	Cal. Water Service Co.	90
Packing Corp of America	Cal. Water Service Co.	20
Total		5181 (C1)/5021 (C2)

45710 44110

3.4.3 Existing Utility Information

All cities and agencies responsible for utilities in the vicinity of the alignment were contacted for information on the location of their utilities. A list of resources and contacts has been provided in Appendix "D". From the utility information gathered, cross sections were able to be cut of typical street sections. The cross sections, see Appendix "B", correspond to the various utilities and existing features present along the alignment.

Alignment Alternate C encounters several large utilities as well as the Rio Hondo River which is typical with each alignment alternate (see Section 3.2.3 for description). Large utility crossings include storm drains, sewers, water lines and gas lines. Large storm drains are encountered throughout this alignment alternate. The crossings occur south of Bandini Ave on Downey Ave with a 11-foot x 10 feet RC SD Box, east of the Eastern Ave. and Bandini Ave. intersection with a 15-foot x 9-foot RC SD Box and at the connection point at San Gabriel River Parkway the pipeline will cross a 13-foot x 5-foot RC SD Box. Crossings of large storm drain will also be encountered along the subalternate routes. Along the Alternate C1 Alignment the recycled water line will cross a 10-foot x 6-foot RC SD Box culvert, at the intersection of 26th St. and Garfield Ave. and a 51" RCP SD at the intersection of Washington Blvd. and Yates Avenue. Along the Subalternate Alignment C2 the pipeline will cross a 57-inch RCP SD and a 108-inch RCP SD at the intersection of Tubeway Ave. and Telegraph Road. None of these crossings would prohibit the proposed pipeline from being constructed.

Other notable utility crossings include a 39" Main Trunk Sewer east of the intersection of Eastern Ave and Bandini Ave., a 63" trunk sewer west of Garfield Ave, several oil lines in the vicinity of Tubeway Ave., and Corvette St., and a 14-foot utility structure at the Railroad corridor south of Ferguson Drive. Special consideration will need to be given towards the design of the pipeline around these existing utilities. In most cases, the pipeline will need to be encased in concrete or slurry backfilled per the individual agency standards.

All utility agencies are to be notified of the potential work as part of the final design scope of work. Plans are to be submitted for their review for verification that existing improvements are shown correctly and, when appropriate, approval of the pipeline alignment.

3.4.4 Distinctive Construction

As the pipeline extends from Pico Rivera to Vernon along the Alternate C Alignment, areas will be encountered which will require difficult and expensive construction. Areas that will hamper construction include channel crossings, freeway crossings, railroad crossings, restrictive utility crossings and areas of contaminated soils.

Common methods of construction used to protect the pipeline or existing utilities and avoid difficult and expensive construction include boring and jacking the pipeline, the use of a concrete encasement or the use of a slurry backfill. And in the case that the pipeline been installed at a shallow depth special piping materials as well as a concrete encasement can be used. Boring and jacking is typical at railroad crossings, and may be used around channel crossings, and crossings of major surface street intersections or freeways. Concrete encasement of the pipeline can be used when the pipeline is constructed in close proximity to other utilities such as sewer, storm drain or water lines. In the case that the recycled water line needs to be installed at a shallow depth, concrete encasement and/or stronger pipe material can also be used to protect the piping from applied loads from the roadways. It is not expected the unusually deep construction will be required anywhere along the alignment. Construction in areas of contaminated soil will require the contaminated materials to be hauled off-site for treatment and new material be brought in for backfill.

Boring and jacking will be necessary along Beverly Blvd. at Paramount Ave, and in Lincoln Ave. at the intersection of Montebello Ave. Also, south of Ferguson Ave., at the railroad corridor boring and jacking will be required. For Subalternate C1, boring and jacking will be required on Yates Ave., and on Garfield Ave at the railroads crossing these roadways. For Subalternate C2, boring and jacking will be required at several crossing of railroads along Saybrook Ave ant Tubeway Ave. Subalternate C2 also crosses a railroad corridor running parallel to Bandini Ave. to the north. This alternate also encounters railroad crossings along Bandini Ave, west of Garfield Ave. and west of Bonnie Beach Place. at the railroad crossings north of 45th St. on Downey Ave and the railroad corridor which intersects Downey Ave., north of 26th Street. All of which will require boring and jacking as well. A boring a jacking installation of a pipeline can be costly and have significant impacts on traffic. The boring pit and receiving pit remain open for the duration of this procedure. The pits can be covered by steel plates during non-working hours, but traffic is to be diverted around the pits at all times. Typically the length and width of the pits do not allow for proper vehicle support.

Shallow installation of the pipeline with concrete encasement will be required at a storm drain crossing near the connection point in San Gabriel River Pkwy and at the 15-foot x 9-foot SD east of the intersection of Eastern Ave. and Bandini Ave. There are many utilities which will require a slurry backfill in the vicinity of the recycled water line crossings. These utilities include large diameter or box storm drains, Metropolitan Water District Lines, large diameter sewer lines, gas lines, oil lines and large telephone conduits.

At bridge and freeway crossings steel pipe will be necessary as well as careful design considerations. The crossing of the Rio Hondo River the pipe will be installed within the bridge that spans the river. Special structural support will be necessary to attach the pipe to the bridge. This length of pipe will be made of welded steel pipe. As the pipeline extends south on Garfield it will cross the Interstate 5 Freeway. At the crossing of this freeway the it will be necessary to bore and jack the pipeline beneath the bridge. The alignment then crosses the 710 Freeway on Bandini Avenue. Boring and jacking of the pipeline will be necessary here as well due to lack of space beneath the overpass.

Along Subalternate C2, at the intersection of Telegraph Rd and Tubeway Ave., construction could prove extremely difficult due to the size, location and amount of utilities existing in this area. This intersection is to be further analyzed to see if construction is feasible.

3.4.5 Easement Acquisition

Easement acquisition can be limited if the pipeline is built in the public right-of-way. The Alignment Alternate C will make use of the public right-of-way as it is to be designed in the major public roadways mentioned in Section 3.2.1. The acquisition of easements may be necessary for some of the service laterals, however.

3.4.6 Permits

The following agencies will require permits for this alignment:

- City of Pico Rivera
- City of Montebello
- City of Commerce
- City of Monterey Park
- City of Bell
- City of Commerce
- City of Vernon
- Burlington North Santa Fe Railroad (BNSF)
- Union Pacific Railroad (UPRR)
- Metrolink
- Caltrans
- Los Angeles County Department of Public Works, Flood Control
- Cal OSHA Mining and Tunneling Unit

Permits are generally required for all construction with in cities. The specific railroad companies also require a permit for construction. As mentioned above, boring and jacking of the pipe beneath the railroads is the preference so as to minimize disturbance to railway traffic.

3.4.7 Traffic Control

The alignment passes through a mix of heavy residential and heavy industrial areas. In these areas the surface streets receive heavy volumes of traffic. For this alignment alternate, the major streets which receive the highest volume of traffic include Beverly Boulevard, Lincoln Avenue, Bandini Avenue and Downey Avenue. To mitigate traffic impacts, the proposed pipeline should be placed in a location of the street which would minimize construction interference with normal traffic patterns. Jurisdictional agencies may require the pipeline to be constructed via bore and jack method when crossing major intersections.

For all of the streets that are to be impacted by the proposed alignment, traffic control shall minimize lane and street closures and the effect of construction on local residents, businesses and schools. The contractor may be required to build specific parts of the alignment during school closures or restricted times.

Although boring and jacking across major intersections may seem better than open trench installation, traffic control does not typically benefit. With open trench construction, installation can be performed in stages to ensure that at least one of two lanes remains open. If installation is incomplete at the end of the workday, the trench can be steel plated to provide full lane openings for heavy traffic conditions. Bore and jack pits do not provide the same flexibility. If the pits are located within the

roadway, traffic control must be provided until the installation is complete because the pits are too large to provide proper traffic loading support from steel plates. Since the pits remain until installation is complete, K-rail is required around the boring and jacking pits to ensure that no one unintentionally drives into the pits. The K-rail remains in place 24-hours a day until the bore is complete.

3.4.8 Cost/Benefit Ratio

Preliminary cost estimates were developed for each alignment alternate as part of this report and are included as Appendix E. The estimates were used to develop a cost benefit ratio for each alignment. The cost/benefit ratio represent the relative cost effectiveness of constructing a pipeline extension to customers by weighing the capitol, operational, and maintenance costs against the revenue generated from customers and grants. Ratios less than one (1), conclude that the present worth capitol costs outweigh the present worth revenue generated by the installation of the line for a 20-year period. A ratio greater than one (1) reflects a cost effective alignment option for the same present worth analysis. This ratio was developed in a method outlined by the West Basin Municipal Water District. The cost/benefit ratio is included as part of Appendix C. As shown, the results for Alternates C1 and C2 are 0.86 and 0.80 respectively.

3.5 Alignment Comparison

Two tables were created to evaluate each of the alignments based on several criteria. This criteria includes the cost of constructing the pipeline, impacts of the construction on traffic, residents and businesses, potential issues in constructing the pipeline due to utility conflicts and existing features, the probability of using alternate construction methods such as boring and jacking. The Alternate Evaluation Table in Appendix "A" breaks down specific criteria associated with each alignment alternate and rates the criteria a scale of 1-5. A rating of (1) represents the most favorable situation for constructing the pipeline, whereas a rating of (5) represents the least favorable situation.

Also included in Appendix "A" is the Potential Customers Table which has compiled all of the potential users for each alignment alternate. This table evaluates the likelihood of the potential customers to connect to the proposed recycled water line. The criteria used in this evaluation includes the expected usage of recycled water in acre feet per year (AFY), the type of facility to connect, the of the service line for connection and constructability of that service line. The resultant ranking is then used as part of the Alternate Evaluation Table to assist in determining the best alignment.

These tables along with the cost/benefit ratio developed, determine the most sensible alignment for construction.

4.0 CONCLUSION

The Preliminary Design Report investigated 4 alignment alternates for the Montebello Loop pipeline. The 4 alternates were named Alternate A, B, C1, and C2. Alternate A begins at the intersection of the San Gabriel River Parkway and Beverly Blvd. and continues west along Beverly Blvd., into Montebello to 4th Street, then extends down 4th to Olympic Blvd. where it makes it way west into Vernon, and eventually to the connection point at 50th Street and Boyle Ave. Alignment B follows a similar route, but through Montebello is routed further north along Lincoln Ave. so that the Montebello Golf Course can be serviced by the pipeline. Alternates C1 and C2 are routed southerly through the City of Commerce to Bandini Avenue. At Bandini Ave. the alignment extends west on Bandini Ave., to Downey Ave. in Vernon and eventually to the connection point at 50th St. and Boyle Avenue. Each alternate was evaluated based on constructability, considering utility corridors, traffic control, construction costs, ability to provide recycled water to potential customers, the cost/benefit ratio, and other engineering, financial, and community factors. A matrices was created to weigh the various advantages and disadvantages of each alignment. The investigation resulted in the establishment and evaluation of a recommended alignment that included pipeline material and sizes, locations for pressure reducing stations, and preliminary construction cost estimate.

Of the 4 alternates, Alternate B was determined to be the most advantageous of the alignments. Alternate A was eliminated due to traffic control issues, heavy impact to the local businesses, and constructability issues. Alternates C1 and C2 were eliminated due to the length of each pipeline, the amount of bored crossings, existing utility issues, traffic control and the possibility of construction change orders. Alternate B provided the most cost effective means of constructing this pipeline as it had the least amount of construction issues, had less of an impact to local business than the others, had the best overall cost/benefit ratio results and the best rating among the alternates within the matrices.

The proposed alignment requires the construction of approximately 54,000 feet of 30-inch diameter pipe, 7200 feet of 24-inch diameter pipe, 400 feet of 20-inch diameter pipe, 16,000 feet of 12-inch diameter pipe, and 37,000 feet of 8-inch diameter pipe for a total of 115,000 feet of pipeline. The alignment will potentially require 8 bored crossings for railroads and major intersections. The pipes shall vary in pressure class from 150 psi to 300 psi, minimum working pressure.

Construction is anticipated to take 3 years and cost approximately \$31,000,000.

Appendix A

Matrices

**Central Basin Municipal Water District
Montebello Loop Pipeline Alignment
Alternative Evaluation Table**

The following matrix was developed to assist in the determination of the most desirable alignment. A number "1" ranking represents the most favorable scenario, whereas a number "5" ranking represents the least desirable scenario. The alternative with the lowest cumulative total represents the best alternative for the project. The ranking system for certain items is noted below.

Major Items	Alternative A	Alternative B	Alternative C1	Alternative C2
Lengths of Pipe (III)	1	2	3	4
Construction Costs (II)	1	2	3	4
Customer Connections (IV)	3	3	3	3
Bored Crossings (I)	3	2	5	5
Constructability	3	3	3	4
Impacts to Residents and Businesses	4	3	2	3
Totals:	15	15	20	23
Ranking:	2	1	3	4

Minor Items

Probability of Utility Conflicts	3	3	3	4
Probability of Change Orders	2	3	4	3
Traffic Control	5	4	5	5
Traffic Intensity	4	3	3	3
Totals:	15	13	16	15
Ranking:	2	1	4	3

Overall Weighted Rating (V):

3	1	4	5
----------	----------	----------	----------

Notes:

- (I) Borings: 1-4 borings = (1), 5-8 = (2), 9-12 = (3), 13-16 = (4), 17-20 =(5)
- (II) Costs are rated based on the ranking of least expensive (1) to most expensive (4)
- (III) Lengths are rated based on ranking of shortest length of pipeline (1) to longest length of pipeline (4)
- (IV) For Customer Connection rankings, see Potential Customers Table, Appendix A
- (V) The weighted rating = [(Major Items Ranking x 2) + (Minor Item Ranking x .5)]/2

**Central Basin Municipal Water District
Montebello Loop Pipeline Alignment Study
Potential Customers Table**

The following table was developed to assist in the determination of the likelihood that a potential customer would connect to the proposed recycled water main. A number "1" ranking represents the most favorable ranking whereas a ranking of "5" represents the least favorable ranking.

Customer Name	Location	Purveyors	Fees	Demand (AFY)			Probability of Connection			Overall Rating				
				Actual	Ranking	Facility Type (II)	Length of Service	Constructability	Overall	Alt A	Alt B	Alt C1	Alt C2	
Acuna Park	Montebello	Montebello Land and Water	290	31	4	1	1	1	1	1	2	3	3	3
Aluminum Co. of America	Vernon	City of Vernon	290	447	1	3	3	4	3	2	2	2	2	2
Ashland Oil/Prudential Overall	Commerce	City of Commerce	270	28	4	3	1	1	1	2	1	1	3	3
Baker Commodities	Vernon	Cal. Water Service Co.	290	124	1	4	1,4 (III)	1,3 (III)	2,4 (III)	1	1	1	3	3
Bicknell Park	Montebello	Cal. Water Service Co.	290	6	5	1	1	2	1	1	3	3	3	3
Caltrans 710/5	East Los Angeles	Cal. Water Service Co.	290	1	5	2	2	1	2	3	3	3	3	3
Cantwell/Sacred Heart HS	Montebello	Cal. Water Service Co.	290	15	5	2	1	2	2	3	3	3	3	3
Clorox Co.	Vernon	Cal. Water Service Co.	270	64	3	3	1,5 (III)	1,4 (III)	2,4 (III)	3	3	3	3	3
Colortex Dye Finishing	Commerce	Cal. Water Service Co.	230	333	1	3	1	1	2	1	1	1	4	4
Comm Ref Energy	Commerce	Cal. Water Service Co.	270	30	4	3	3	5	4	4	4	4	3	3
Container Corp of America	Vernon	City of Vernon	250	300	1	4	4	1	1	1	3	3	3	3
Damas Nursery	Commerce	Cal. Water Service Co.	290	12	5	1	1	1	2	1	3	3	3	3
Durfee Elementary School	Pico Rivera	City of Pico Rivera	290	90	3	2	2	3	3	3	3	3	3	3
Filtrol Corp./Pacific Anchor Chemical	Vernon	City of Vernon	250	90	3	3	3	3	3	3	3	3	3	3
Fremont School	Montebello	Montebello Land and Water	290	1	5	2	1	1	1	3	3	3	3	3
GNB Inc.	Montebello	Cal. Water Service Co.	290	90	4	4	1,5 (III)	2,4 (III)	2,4 (III)	3	3	3	4	4
Huntington Park High School	Huntington Park	Cal. Water Service Co.	270	27	4	2	3	3	3	3	3	3	3	3
LA Dye & Wash	Montebello	City of Montebello	230	49	3	3	2	2	2	2	2	2	2	2
LA Dye Work (Finish Div.)	Los Angeles	City of Vernon	230	500	1	3	4	4	3	3	2	2	2	2
LA Dye Work (Rainbow Div.)	Los Angeles	City of Vernon	230	500	1	3	4	4	3	3	2	2	2	2
Lyon Christmas Nursery	Commerce	Cal. Water Service Co.	290	8	5	1	4	2	2	4	4	4	4	4
Mackie International	Commerce	Cal. Water Service Co.	290	24	5	5	5	4	2	5	5	5	5	5
Minrosa Nursery	Commerce	Cal. Water Service Co.	290	6	5	1	1	1	1	3	3	3	3	3
Montebello City Park	Montebello	Montebello Land and Water	290	33	4	1	4	5	4	4	4	4	4	4
Montebello Golf Club	Montebello	Cal. Water Service Co.	230	346	1	1	2	4	2	4	4	4	2	2
Montebello High School	Montebello	Montebello Land and Water	290	30	4	2	4	3	3	4	4	4	4	4
Montebello Jr. High School	Montebello	Montebello Land and Water	290	20	5	2	2	3	2	4	4	4	4	4
New Calvalry Cemetery	East Los Angeles	Cal. Water Service Co.	290	20	5	1	1	1	1	3	3	3	3	3
New Crow	Commerce	City of Commerce	250	25	4	4	4	5	4	4	4	4	4	4
North Park Jr. High School	Pico Rivera	Pico Water District	290	14	5	2	2	3	2	4	4	4	4	4
Pabco Paper Products	Vernon	City of Vernon	290	200	1	5	4	4	4	3	3	3	3	3
Pacific Fabrics	Maywood	City of Vernon	230	104	2	4	4	3	4	4	4	4	4	4
Packing Corp. of America	Vernon	Cal. Water Service Co.	290	20	5	5	1,5 (III)	1,4 (III)	2,5 (III)	5	5	5	5	5
Pico Park	Pico Rivera	City of Pico Rivera	270	25	4	1	3	2	2	3	3	3	3	3
Pico Pico Elementary	Pico Rivera	City of Pico Rivera	290	13,8	5	2	4	3	3	4	4	4	4	4
Reggie Rodriguez Park	Montebello	Montebello Land and Water	290	20	5	3	3	2	2	4	4	4	4	4
Rio Hondo Park	Pico Rivera	City of Pico Rivera	270	27	4	1	3	3	2	4	4	4	4	4
Saybrook Park	East Los Angeles	Cal. Water Service Co.	270	45	3	1	1	1	1	3	3	3	3	3
Sealright Co.	Commerce	City of Commerce	290	20	5	4	3	2	2	4	4	4	4	4
Sunlaw Grogan	Vernon	City of Vernon	230	250	1	3	1	1	2	1	1	1	1	1
Ttsurama	Vernon	City of Vernon	270	605	1	4	3	3	3	2	2	2	2	2
Vernon Truck Wash	Vernon	City of Vernon	290	33	4	2	1	2	4	3	3	3	3	3
Washington School	Montebello	Montebello Land and Water	290	1	5	2	5	5	4	5	5	5	5	5
Westemex Ind.	Commerce	Cal. Water Service Co.	230	111	2	3	2	3	3	2	2	2	2	2
Grant Rae Park	Montebello	San Gabriel Valley Water Co.	270	52	3	1	3	1	2	2	2	2	2	2
Raquet Mountain	Montebello	San Gabriel Valley Water Co.	270	32	4	3	2	2	2	3	3	3	3	3
La Merced Jr. High School	Montebello	San Gabriel Valley Water Co.	290	3	5	2	2	3	2	2	2	2	2	2
Keshbatt Knitting	Los Angeles	San Gabriel Valley Water Co.	230	322	1	3	1	1	1	1	1	1	1	1

Notes:

(I) The overall rating equals the average rating of the customers per alignment

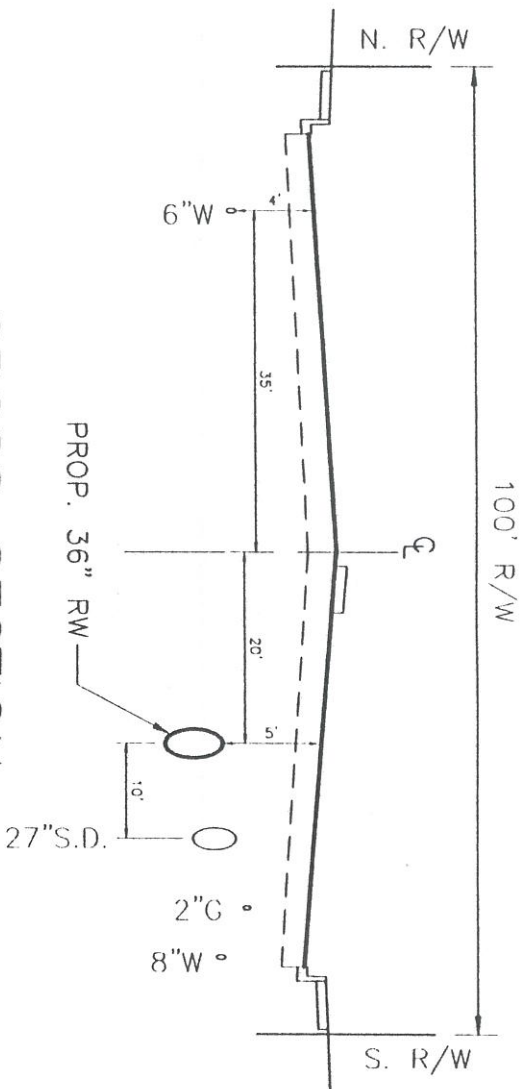
(II) The "Facility Type" ratings are as follows: Parks/Golf Courses = (1), Schools/Public Facilities = (2), Process Facilities = (3), Manufacturing = (4), General Business = (5)

(III) Rankings having two values are due to facilities having possible service connections to different alignment alternatives. In each case, the higher ratings (1 being the highest) pertain to alignment alternative C, the lower ratings pertain to alignment alternative A or B.

Total Demand per Alternative	4633	5028	5181	5021
Rating per Demand	4	2	1	3
Sum of Ratings:	115	121	137	134
Overall Rating (I):	3.20	3.10	3.27	3.35

Appendix B

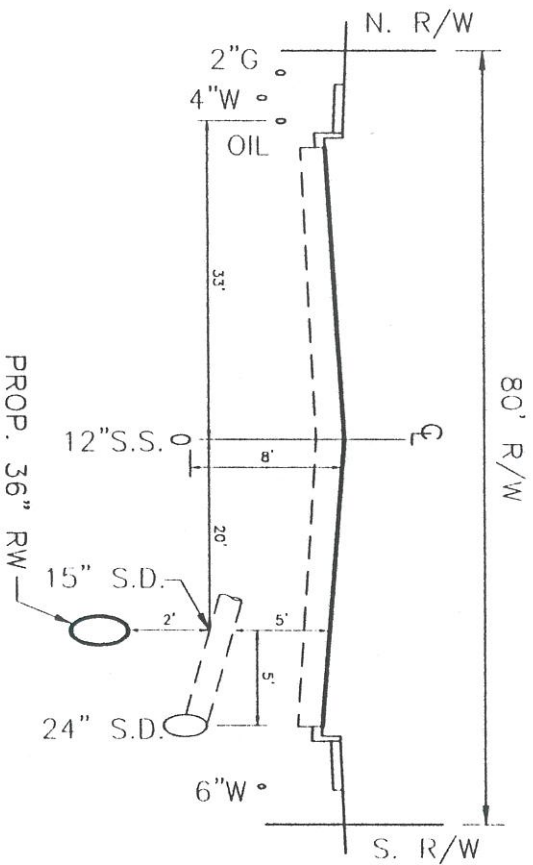
Alignment Cross Sections



(BEVERLY BLVD. EAST OF PARAMOUNT)

SCALE: 1"=20' HORIZ.. & 1"=4' VERT.

Alternative A/B/C



(BEVERLY BLVD. EAST OF 2ND STREET)

SCALE: 1"=20' HORIZ.. & 1"=4' VERT.

Alternative A/B/C

CROSS SECTION

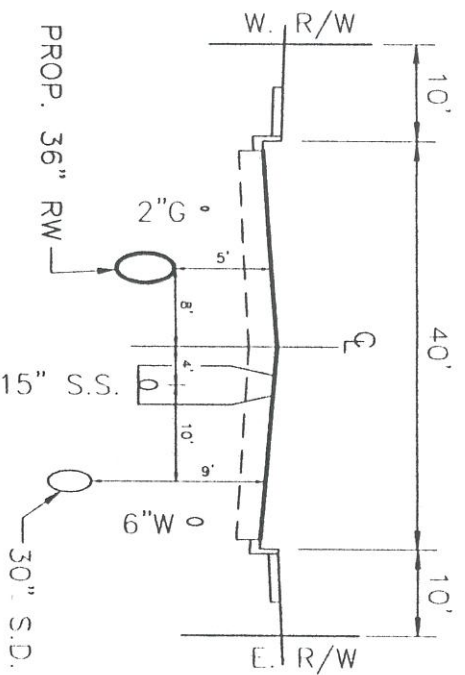


**MONTABELLO LOOP
ALIGNMENT STUDY**

APRIL, 2003



TETRA TECH, INC.

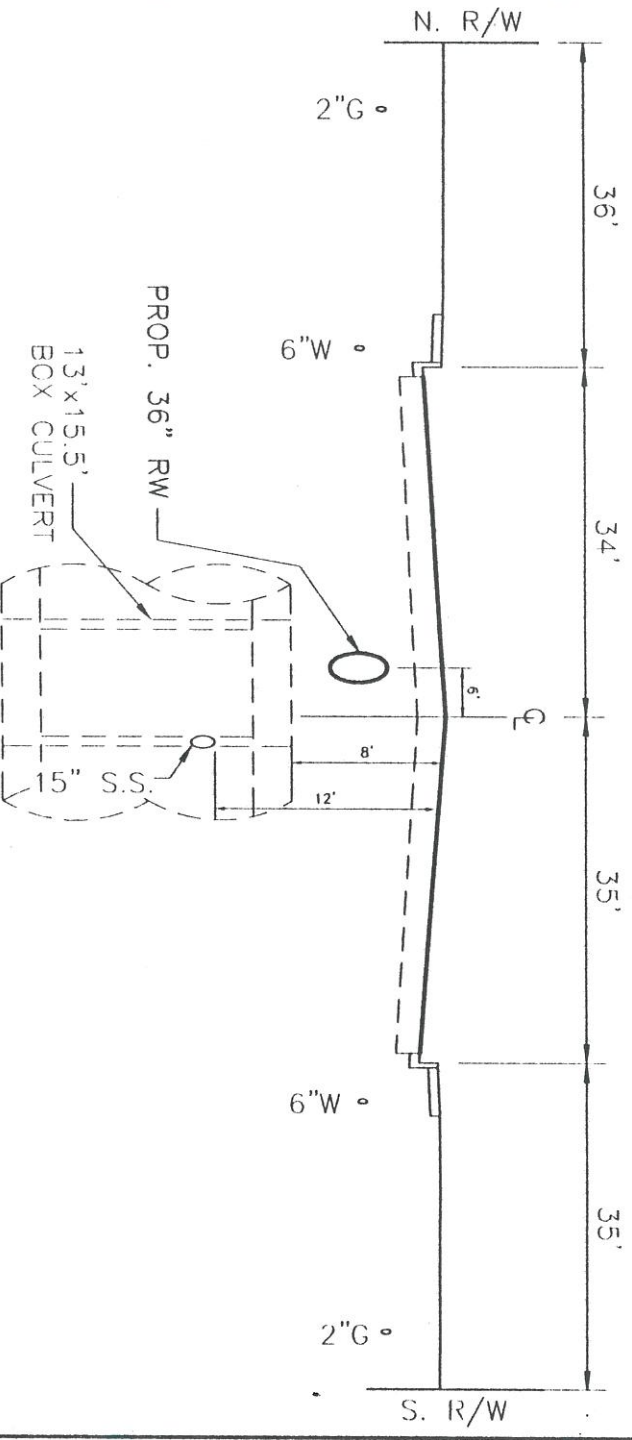


CROSS SECTION

(4th ST. NORTH OF CLEVELAND AVE.)

SCALE: 1"=20' HORIZ.. & 1"=4' VERT.

Alternative A



CROSS SECTION

(OLYMPIC AVE. EAST OF 18th ST.)

SCALE: 1"=20' HORIZ.. & 1"=4' VERT.

Alternative A



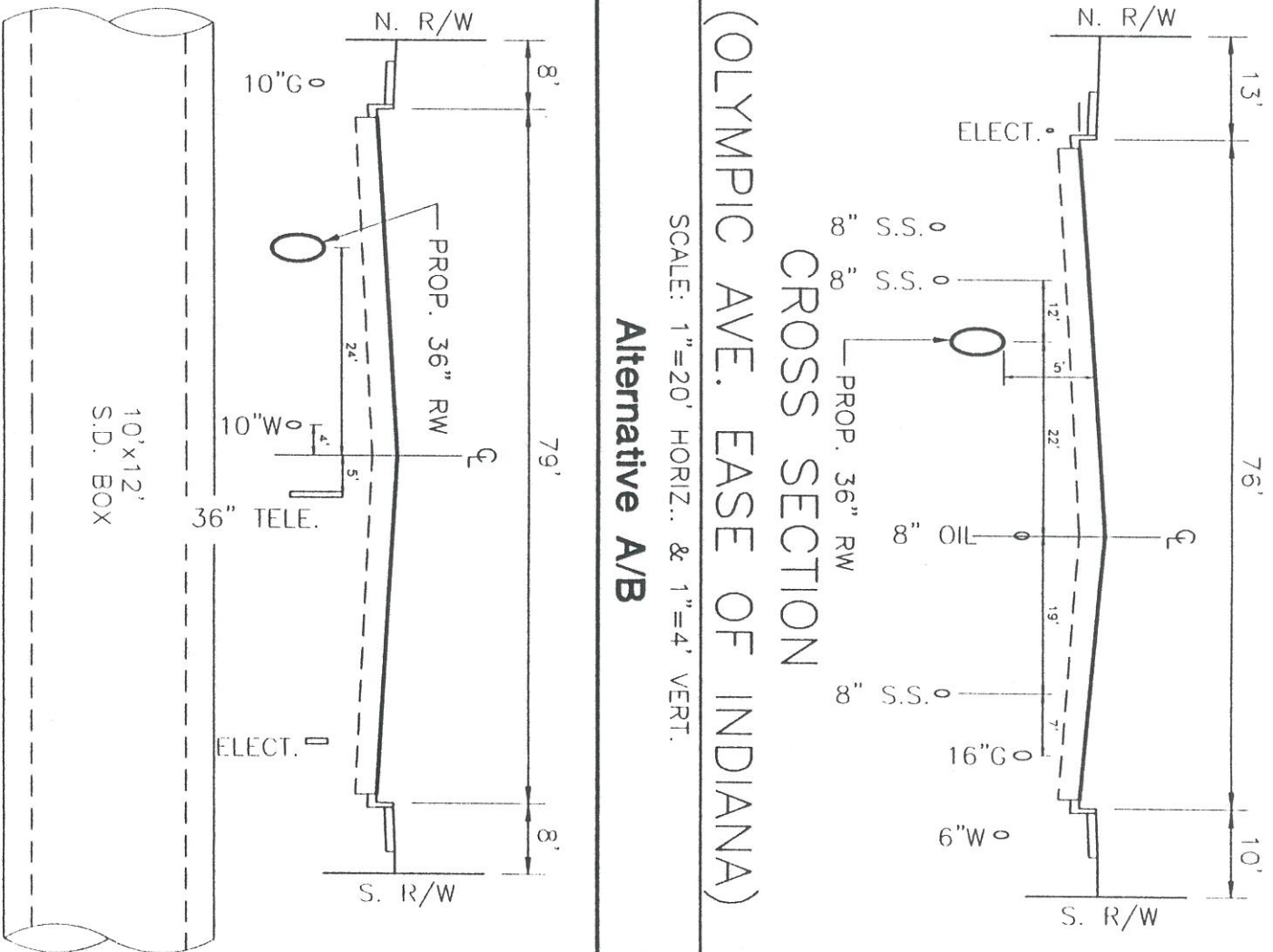
CENTRAL BASIN MUNICIPAL WATER DISTRICT

MONTEBELLO LOOP ALIGNMENT STUDY

APRIL, 2003



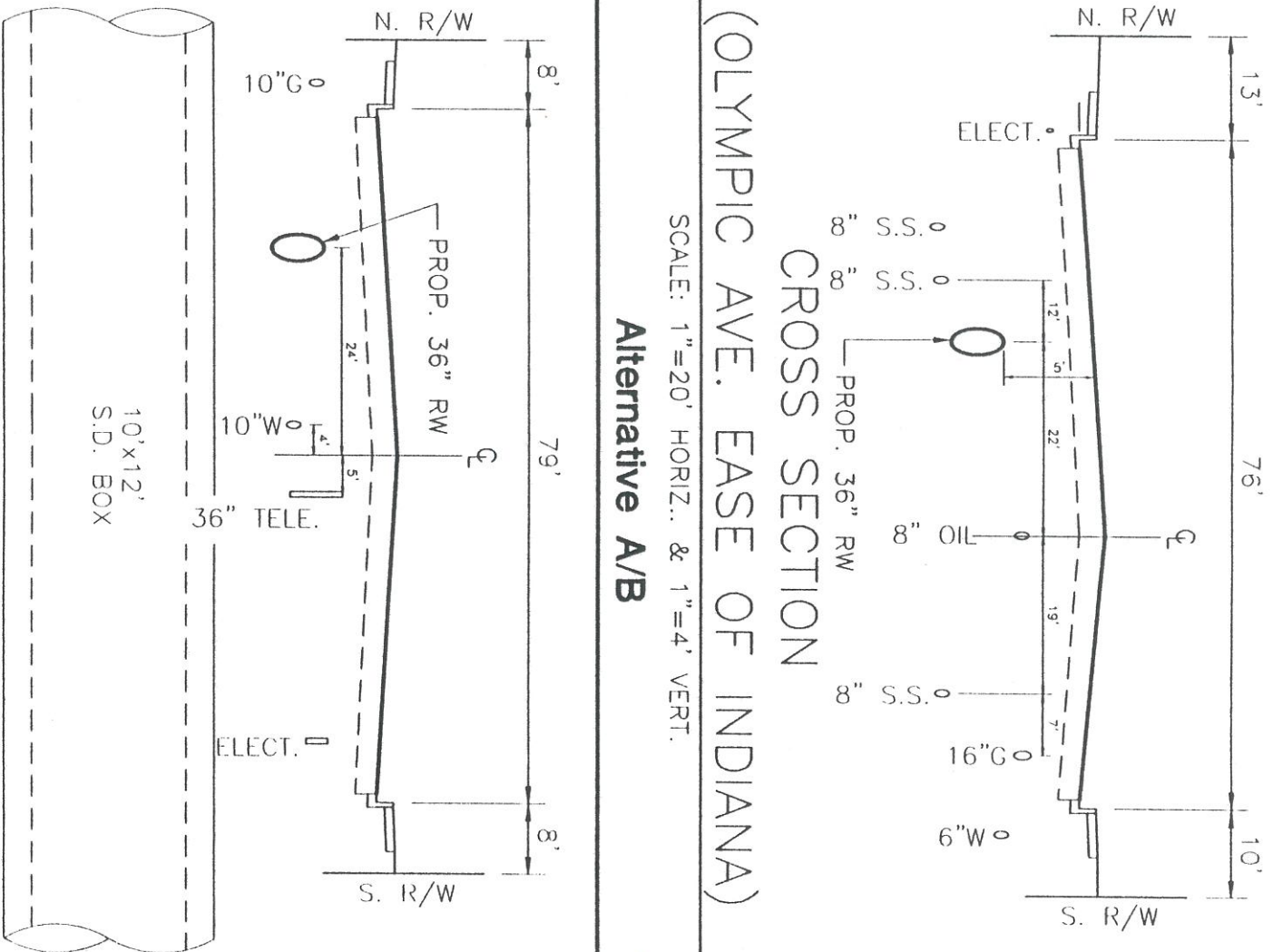
TETRA TECH, INC.



(OLYMPIC AVE. EASE OF INDIANA)

SCALE: 1"=20' HORIZ.. & 1"=4' VERT.

Alternative A/B



(DOWNEY AVE. SOUTH OF BANDINI)

SCALE: 1"=20' HORIZ.. & 1"=4' VERT.

Alternative A/B/C



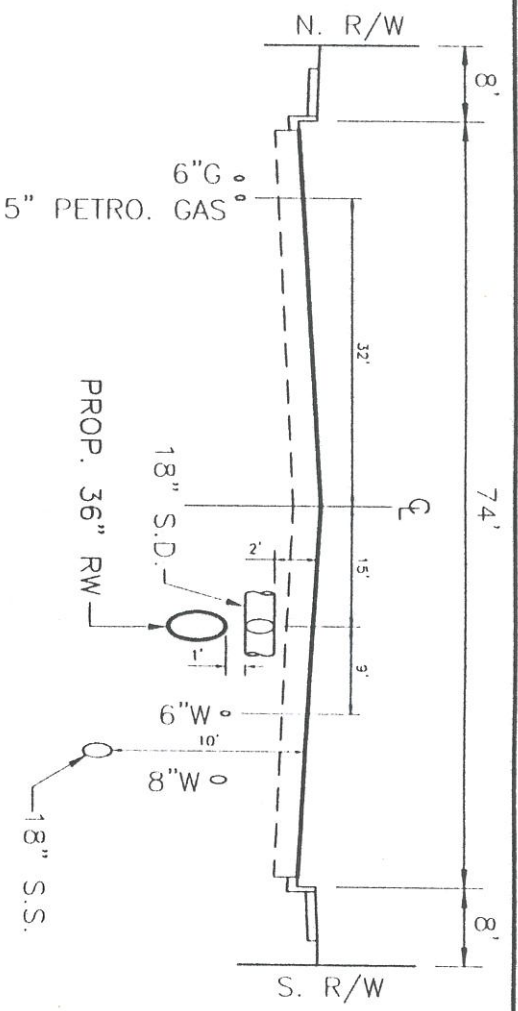
CENTRAL BASIN MUNICIPAL
WATER DISTRICT

**MONTEBELLO LOOP
ALIGNMENT STUDY**

APRIL, 2003



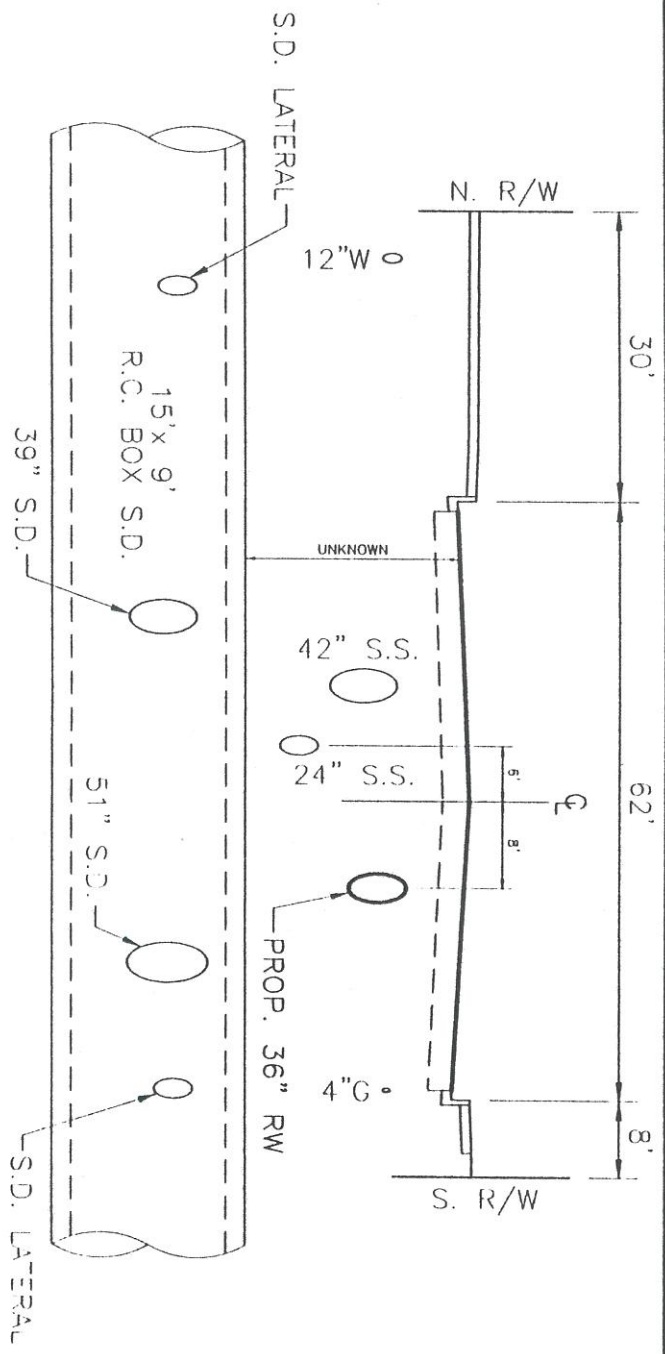
TETRA TECH, INC.



CROSS SECTION
 (BANDINI AVE. EAST OF INDIANA)

SCALE: 1"=20' HORIZ. & 1"=4' VERT.

Alternative C



CROSS SECTION
 (BANDINI AVE. EAST OF SPLIT)

SCALE: 1"=20' HORIZ. & 1"=4' VERT.

Alternative C



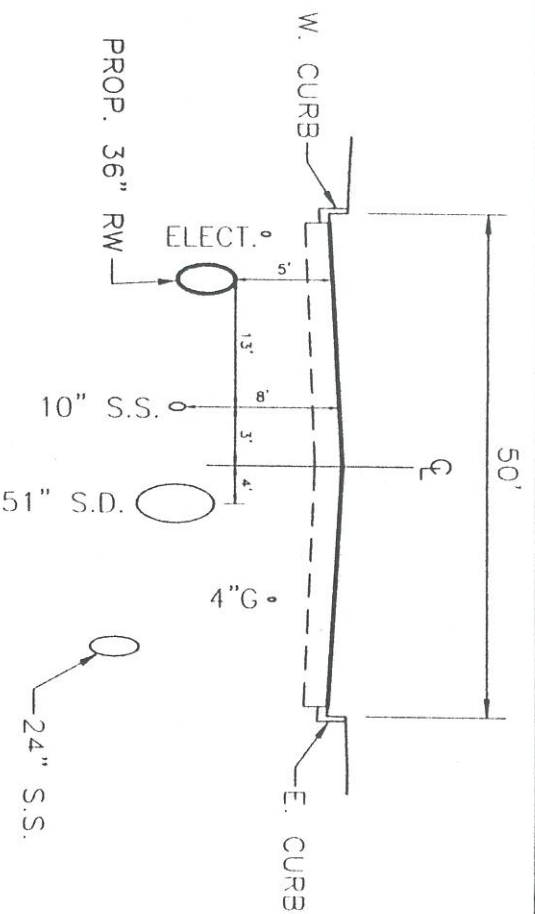
CENTRAL BASIN MUNICIPAL
 WATER DISTRICT

MONTEBELLO LOOP
 ALIGNMENT STUDY

APRIL, 2003



TETRA TECH, INC.

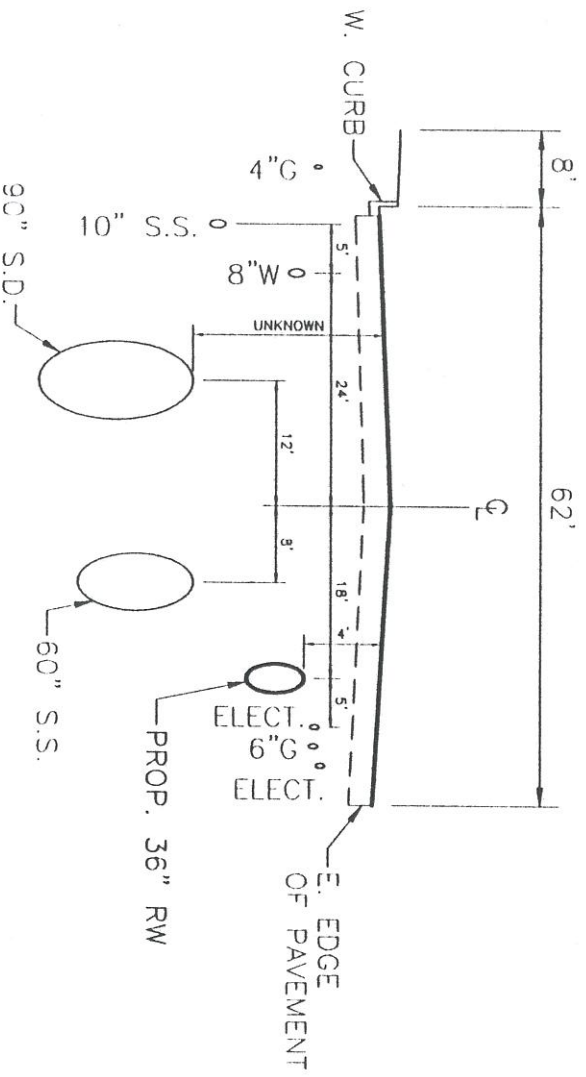


CROSS SECTION

(YATES AVE. NORTH OF WASHINGTON ST.)

SCALE: 1"=20' HORIZ. & 1"=4' VERT.

Alternative C1



CROSS SECTION

(TUBEWAY AVE. N. OF TELEGRAPH RD.)

SCALE: 1"=20' HORIZ. & 1"=4' VERT.

Alternative C2



MONTABELLO LOOP
ALIGNMENT STUDY

APRIL, 2003



TETRA TECH, INC.

Appendix C

Cost/Benefit Ratio

Montebello Loop Alignment Alternatives Cost/Benefit Ratio

ALIGNMENT	LATERALS INCLUDED	LATERALS EXCLUDED
Alternative A	Bandini Ave	
Alternative B	Bandini Ave, Montebello GC	
Alternative C1	Montebello GC	
Alternative C2	Montebello GC	

	Alt A	Alt B	Alt C1	Alt C2
Total Projected Demand (AFY)	4633	5028	5181	5021
Expenses				
Capital Cost (2)	\$29,327,231	\$30,543,126	\$35,735,376	\$35,606,806
O&M(3)				
Production(\$110/AF)	\$8,874,262	\$9,630,864	\$9,923,927	\$9,617,456
O&M (\$40/AF)	\$3,227,005	\$3,502,132	\$3,608,701	\$3,497,257
Administrative Cost (\$40/AF)	\$3,227,005	\$3,502,132	\$3,608,701	\$3,497,257
Lost Potable Revenue (\$29/AF)	\$2,339,578	\$2,539,046	\$2,616,308	\$2,535,511
Total Expense (Present Worth)	\$46,995,081	\$49,717,300	\$55,493,012	\$54,754,286

Revenue	Alt A	Alt B	Alt C1	Alt C2
Grants (25% of Capital Costs)	\$7,331,808	\$7,635,782	\$8,933,844	\$8,901,702
Maximum MWD LRP Rebate (4)	\$19,690,250	\$21,369,000	\$22,019,250	\$21,339,250
Recycled Water Rate Revenue(6)	\$12,232,090	\$14,128,598	\$16,505,970	\$13,551,290
Total Revenue (Present Worth)	\$39,254,148	\$43,133,380	\$47,459,064	\$43,792,241
Revenue/Expense Ratio	0.84	0.87	0.86	0.80

NOTES:

- (1) Present Worth is over a period of 25 years.
- (2) Does not include Investment in the Existing Recycled Water System
- (3) O&M Expenses Escalate at 3% per year
- (4) LRP Rebate Varies on the Cost of the Program. LRP Rebate for up to 10,500 AFY.
- (5) Rates Escalate at 2% per year
- (6) Ratio does not include costs for engineering, construction management, or District staff time
- (7) Ratio does not include costs for land acquisition and easements

**FINANCIAL ANALYSIS
Alternative A**

	Annual Exp/Rev	Present Worth(1)	PW/AF
Expenses			
Capital Cost (2)	\$ 2,186,326	\$ 29,327,231	
O&M (3)			
Production (\$110/af)	\$ 509,630	\$ 8,874,262	1,915.45
O&M (\$40/af)	\$ 185,320	\$ 3,227,005	696.53
Administrative Cost (\$40/af)	\$ 185,320	\$ 3,227,005	696.53
Lost Potable Revenue (\$29/af)	\$ 134,357	\$ 2,339,578	504.98
Total Expense	\$ 3,200,953	\$ 46,995,081	
Revenue			
USBR Grant (4)	\$ 546,582	\$ 7,331,808	
Maximum MWD LRP Rebate (5)	\$ 1,158,250	\$ 19,690,250	4,250.00
Recycled Water Rate (6)	\$ 626,533	\$ 12,232,090	2,640.21
Total Revenue	\$ 2,331,365	\$ 39,254,148	
Rev/Exp Ratio	0.73	0.84	
		20.16	

Analysis Data - Alternative A	
Total Capital Cost	\$ 29,327,231
USBR Grant	\$ 7,331,808
Project Demand	4,633
Present Worth Analysis	
Expenses Escalate at	3%
Rates Escalate at	2%
Number of Years	25

NOTES:

- (1) Present Worth is over a period of 25 years.
- (2) Does not Include Investment in the Existing Recycled Water System
- (3) O&M Expenses Escalate at 3% per year
- (4) USBR Grant is 25% of Capital Costs
- (5) LRP Rebate Varies on the Cost of the Program. LRP Rebate Expires in 2017
- (6) Rates Escalate at 2% per year

Harvey?

**FINANCIAL ANALYSIS
Alternative B**

Wyatt or Harvey

Analysis Data - Alternative B	
Total Capital Cost	\$ 30,543,126
USBR Grant	\$ 7,635,782
Project Demand	5,028
Present Worth Analysis	
Expenses Escalate at	3%
Rates Escalate at	2%
Number of Years	25

Expenses

Capital Cost (2)
O&M (3)

\$190/AF

	Annual Exp/Rev	Present Worth(1)	PW/AF
Capital Cost (2)	\$ 2,276,970	\$ 30,543,126	
Production (\$110/af)	\$ 553,080	\$ 9,630,864	1,915.45
O&M (\$40/af)	\$ 201,120	\$ 3,502,132	696.53
Administrative Cost (\$40/af)	\$ 201,120	\$ 3,502,132	696.53
Lost Potable Revenue (\$29/af)	\$ 145,812	\$ 2,539,046	504.98

Total Expense

\$170/AF?

Revenue

USBR Grant (4)
Maximum MWD LRP Rebate (5)
Recycled Water Rate (6)

\$250 x 5,028

Total Revenue

Rev/Exp Ratio

\$144/AF?

NOTES:

- (1) Present Worth is over a period of 25 years.
- (2) Does not Include Investment in the Existing Recycled Water System
- (3) O&M Expenses Escalate at 3% per year
- (4) USBR Grant is 25% of Capital Costs
- (5) LRP Rebate Varies on the Cost of the Program. LRP Rebate Expires in 2017
- (6) Rates Escalate at 2% per year

540
-219
321/AF

1,257,000 x 17 yrs

O&M = FYE '03 = \$1,642,300 / 3,582.4 AF
= \$458.44/AF

Σ = 3,582.4 + 5,028 = 8,610.4 AF
⇒ 8,610.4 AF x \$190 = \$1.636 mil
less than our FYE '03 O&M costs

FYE '04 Budget - Final

Projections % O&M Cost - \$3,764,518
AF sales - 11,242 AF
O&M (\$/AF) = \$335/AF

15,085,300

**FINANCIAL ANALYSIS
Alternative C1**

	Annual Exp/Rev	Present Worth(1)	PW/AF
Expenses			
Capital Cost (2)	\$ 2,664,049	\$ 35,735,376	
O&M (3)			
Production (\$110/af)	\$ 569,910	\$ 9,923,927	1,915.45
O&M (\$40/af)	\$ 207,240	\$ 3,608,701	696.53
Administrative Cost (\$40/af)	\$ 207,240	\$ 3,608,701	696.53
Lost Potable Revenue (\$29/af)	\$ 150,249	\$ 2,616,308	504.98
Total Expense	\$ 3,798,688	\$ 55,493,012	
Revenue			
USBR Grant (4)	\$ 666,012	\$ 8,933,844	
Maximum MWD LRP Rebate (5)	\$ 1,295,250	\$ 22,019,250	4,250.00
Recycled Water Rate (6)	\$ 845,443	\$ 16,505,970	3,185.87
Total Revenue	\$ 2,806,705	\$ 47,459,064	
Rev/Exp Ratio	0.74	0.86	

19.77

Analysis Data - Alternative C1

Total Capital Cost	\$ 35,735,376
USBR Grant	\$ 8,933,844
Project Demand	5,181
Present Worth Analysis	
Expenses Escalate at	3%
Rates Escalate at	2%
Number of Years	25

NOTES:

- (1) Present Worth is over a period of 25 years.
- (2) Does not Include Investment in the Existing Recycled Water System
- (3) O&M Expenses Escalate at 3% per year
- (4) USBR Grant is 25% of Capital Costs
- (5) LRP Rebate Varies on the Cost of the Program. LRP Rebate Expires in 2017
- (6) Rates Escalate at 2% per year

**FINANCIAL ANALYSIS
Alternative C2**

	Annual Exp/Rev	Present Worth(1)	PW/AF
Expenses			
Capital Cost (2)	\$ 2,654,464	\$ 35,606,806	
O&M (3)			
Production (\$110/af)	\$ 552,310	\$ 9,617,456	1,915.45
O&M (\$40/af)	\$ 200,840	\$ 3,497,257	696.53
Administrative Cost (\$40/af)	\$ 200,840	\$ 3,497,257	696.53
Lost Potable Revenue (\$29/af)	\$ 145,609	\$ 2,535,511	504.98
Total Expense	\$ 3,754,063	\$ 54,754,286	
Revenue			
USBR Grant (4)	\$ 663,616	\$ 8,901,702	
Maximum MWD LRP Rebate (5)	\$ 1,255,250	\$ 21,339,250	4,250.00
Recycled Water Rate (6)	\$ 694,103	\$ 13,551,290	2,698.92
Total Revenue	\$ 2,612,969	\$ 43,792,241	
Rev/Exp Ratio	0.70	0.80	
	20.95		

Analysis Data - Alternative C2

Total Capital Cost	\$ 35,606,806
USBR Grant	\$ 8,901,702
Project Demand	5,021
Present Worth Analysis	
Expenses Escalate at	3%
Rates Escalate at	2%
Number of Years	25

NOTES:

- (1) Present Worth is over a period of 25 years.
- (2) Does not Include Investment in the Existing Recycled Water System
- (3) O&M Expenses Escalate at 3% per year
- (4) USBR Grant is 25% of Capital Costs
- (5) LRP Rebate Varies on the Cost of the Program. LRP Rebate Expires in 2017
- (6) Rates Escalate at 2% per year

Appendix D

Memorandum



THE SOLIS GROUP

Memorandum

Date: April 14, 2003

To: John Robinson

cc: Jim Leahy

From: Kent Wilson

Subject: Montebello Loop Alignment Agency Impact Assessments

The information provided in this assessment was gathered by meeting with City and County representatives based on where the proposed pipeline route was conceptually determined. The following agencies were contacted: County of Los Angeles, City of Commerce, City of Bell, City of Pico Rivera, City of Montebello, and City of Vernon. Four specific questions were asked of each representative and their staff to gather the information needed to complete this part of the alignment study. These were:

- 1) List what businesses and/or facilities share this roadway. Please point out all facilities of importance and sensitive nature such as fire departments or security sensitive sites.
- 2) What is the existing sub-surface infrastructure on this roadway?
- 3) List current or future projects planned within the next three years for this roadway. Please provide the construction-planned documentation.
- 4) What sensitive traffic intersections pose a possible concern to construction within this roadway?

Appended herein are the assessments and data, which were compiled by the information provided by each of the six agencies City and County representatives. Documents received and verbal commentary was provided to Jim Leahy on March 27, 2003.

County of Los Angeles (East)

The proposed subject streets lie within the boundaries of an unincorporated eastern area of Los Angeles County.

Route “A” is proposed to go the length of Olympic Boulevard between Lorena Street on the west end and South Concourse Avenue on the east end. This stretch is a major roadway for heavy traffic use. The subject roadway has undergone a full street paving renovation along Olympic Boulevard between four major traffic intersections: Rowan Avenue, Saybrook Avenue, Telegraph Road, and Vancouver Avenue. The roadway is under a two-year moratorium that prohibits the Los Angeles County issuance of permits except to satisfy the needs of health, fire protection and public welfare. A detail of the county ordinance is found under file 0-0 sections S30.1.

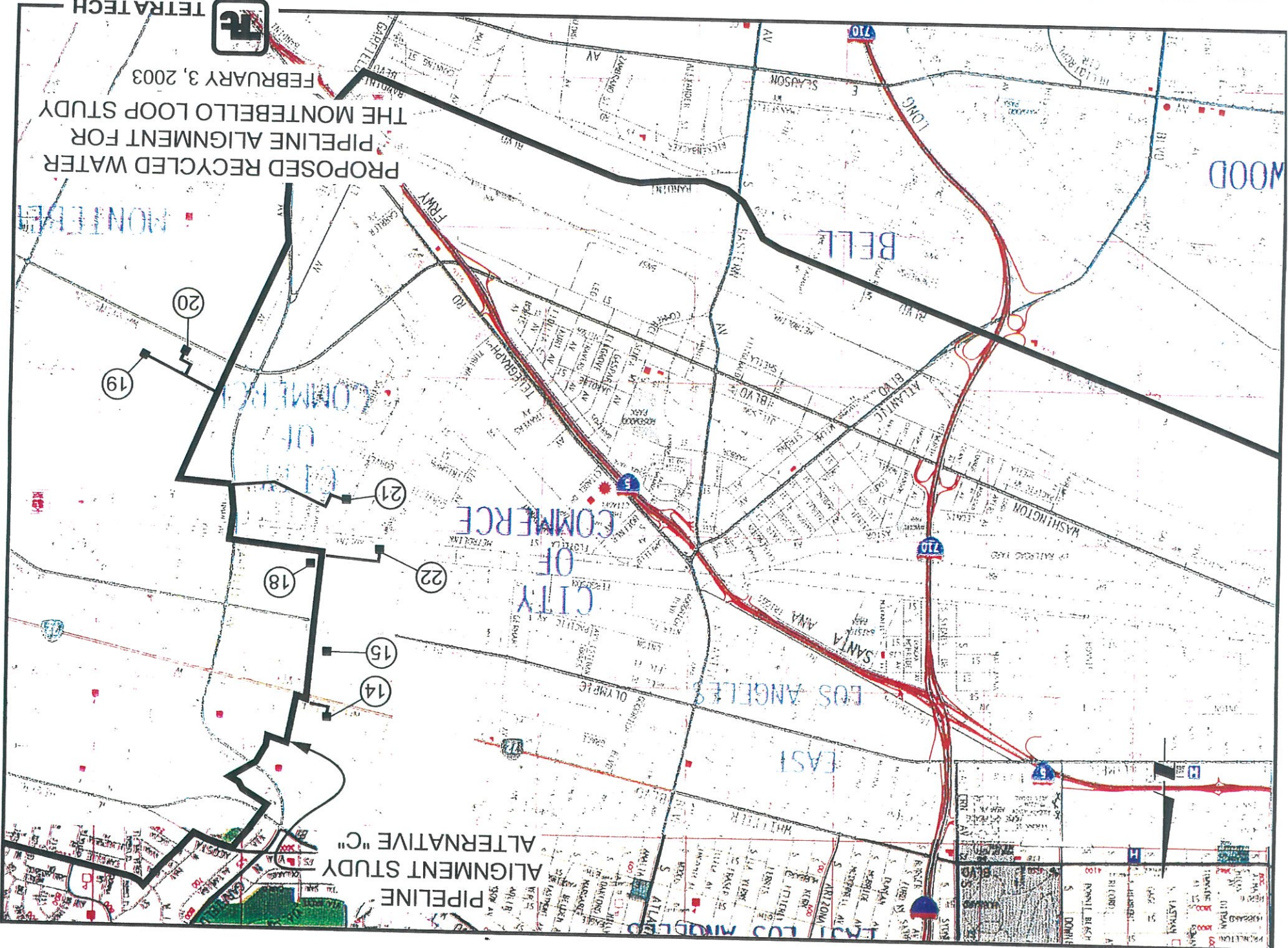
The subject Route “A” has a water and sewer utility, which runs along Olympic Boulevard and crosses through the following streets: Olympic Boulevard at Ditman Avenue, Gage Avenue, East of 710 freeway, Arizona Avenue, Laveme Avenue, Gerhart Avenue, Hendricks Avenue, Saybrook Avenue, and Garfield Avenue. Water and sewer utilities run parallel underneath Olympic Boulevard between Arizona Avenue to Laveme Avenue, Goodrich Boulevard to Avenida Esteban Torres, just west of Gerhart Avenue to Simmons Avenue, and Garfield Avenue to South Concourse Avenue.

The subject Route “B” has water and sewer utilities that cross through the intersection of Hereford Drive and Saybrook Avenue while running parallel underneath Saybrook Avenue between Hereford Drive and Whittier Boulevard.

Plans of utilities and County ordinances are available upon request.

Contact: Angela George
Title: Civil Engineer
Phone Number: (626) 458-3109

Contact: Gus Aranki
Title: Construction Inspector
Phone Number: (626) 458-3119



PROPOSED RECYCLED WATER
PIPELINE ALIGNMENT FOR
THE MONTEBELLO LOOP STUDY

FEBRUARY 3, 2003



TETRA TECH

City of Commerce

The proposed subject streets are located on the north and northeast side of the City's borders.

At this time, the City of Commerce does not maintain record maps of utilities. Such data has been obtained for city projects by working in conjunction with the various utility companies. Utilizing information provided by the County of Los Angeles, a water and sewer line have pinpointed utility as running beneath Olympic Boulevard between Goodrich Boulevard and Avenida Esteban Torres. Water and sewer utilities cross Olympic Boulevard between Goodrich Boulevard and Gerhart Avenue.

Proposed Route "C1" has water and sewer lines running parallel to the following streets: eastern border of Bell on Bandini Boulevard, Telegraph Road between Atlantic Boulevard to the Rio Hondo River, Tubeway Avenue between Telegraph Road and Smithway Street, and Ferguson Drive between Gerhart Avenue and Westside Drive.

Proposed Route "C2" has a small portion of water and sewer utilities running below Bandini Boulevard, east of the City of Bell border. Another small portion is found just north of Washington Boulevard on Garfield Avenue. A final portion of utility is located underneath Ferguson Drive, east of Carfield Avenue and ending at Gerhart Avenue.

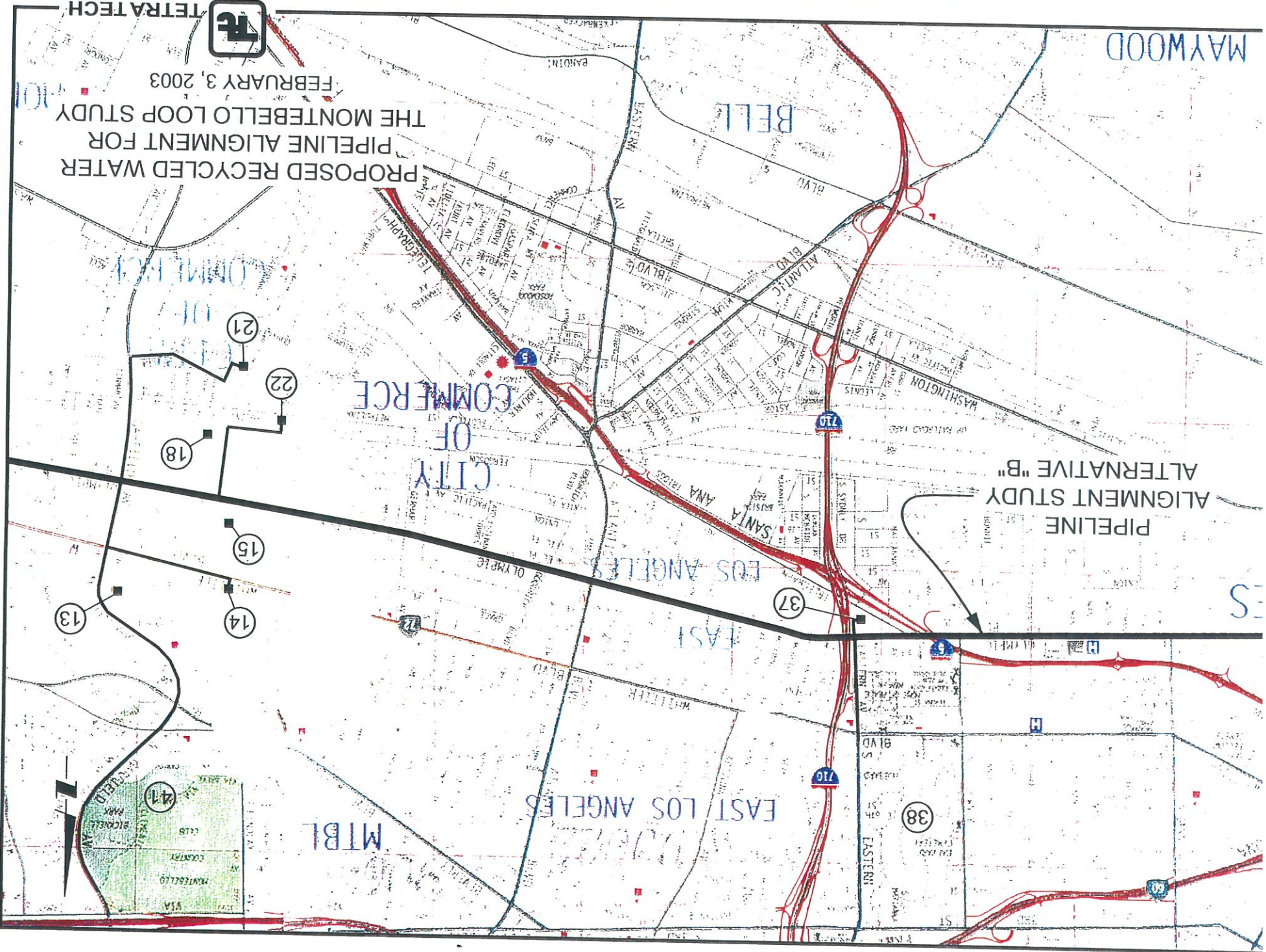
The City of Commerce has stressed that any proposed projects that would run along Bandini Boulevard are not favored, as that portion of roadway is under a moratorium. City of Commerce Planning Department also stated that a possible alternative route per future construction plans for street repair would be most ideal if the proposed line would come from the City of Vernon going eastbound on Bandini Boulevard, to Atlantic Boulevard going northbound, to Washington Boulevard going eastbound. This alternative route was also proposed by the City of Bell as a sound alternative to current proposed routes.

Furthermore, the City of Commerce has a high volume of commercial traffic throughout the day, which need to access the number of industrial, commercial and retail areas along the proposed roadways. Recent road construction in the past has proven to have major impacts on traffic flow and roadway capacity.

Lists of businesses and facilities that share the proposed subject roadway, utility documentation and city ordinance of moratorium is available upon request.

Contact: Larry P. Garcia
Title: Public Service Supervisor
Phone Number: (323) 887-4451

Contact: Maria E. Ibarra
Title: Business License Officer
Phone Number: (323) 722-4805



PROPOSED RECYCLED WATER
PIPELINE ALIGNMENT FOR
THE MONTEBELLO LOOP STUDY

FEBRUARY 3, 2003



TETRA TECH

MAYWOOD

BELL

COMMERCE

CITY OF

PIPELINE
ALIGNMENT STUDY "B"

EAST LOS ANGELES

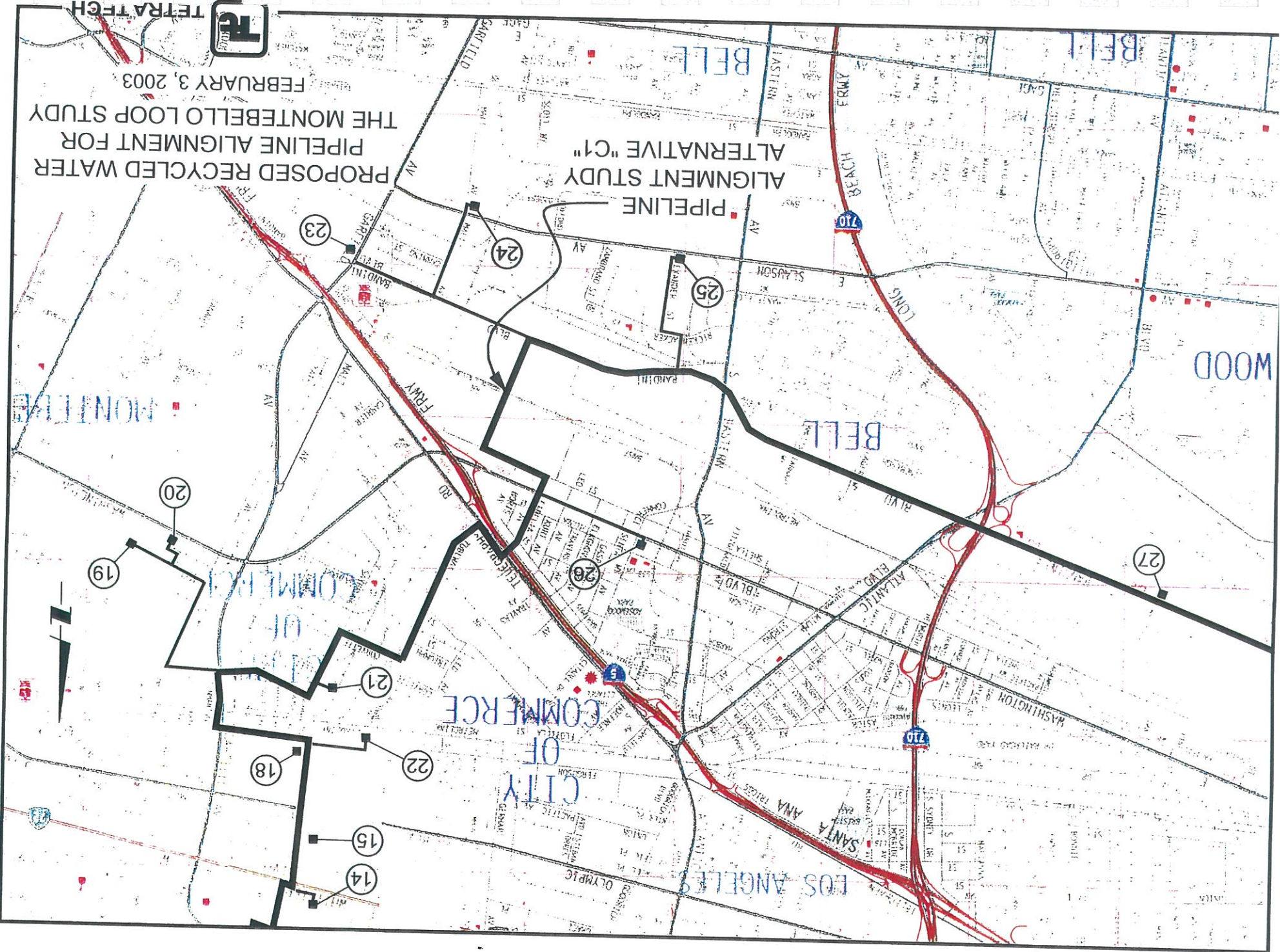
MTBL

EAST LOS ANGELES

EAST

MONTEBELLO

PROPOSED RECYCLED WATER
PIPELINE ALIGNMENT FOR
THE MONTEBELLO LOOP STUDY

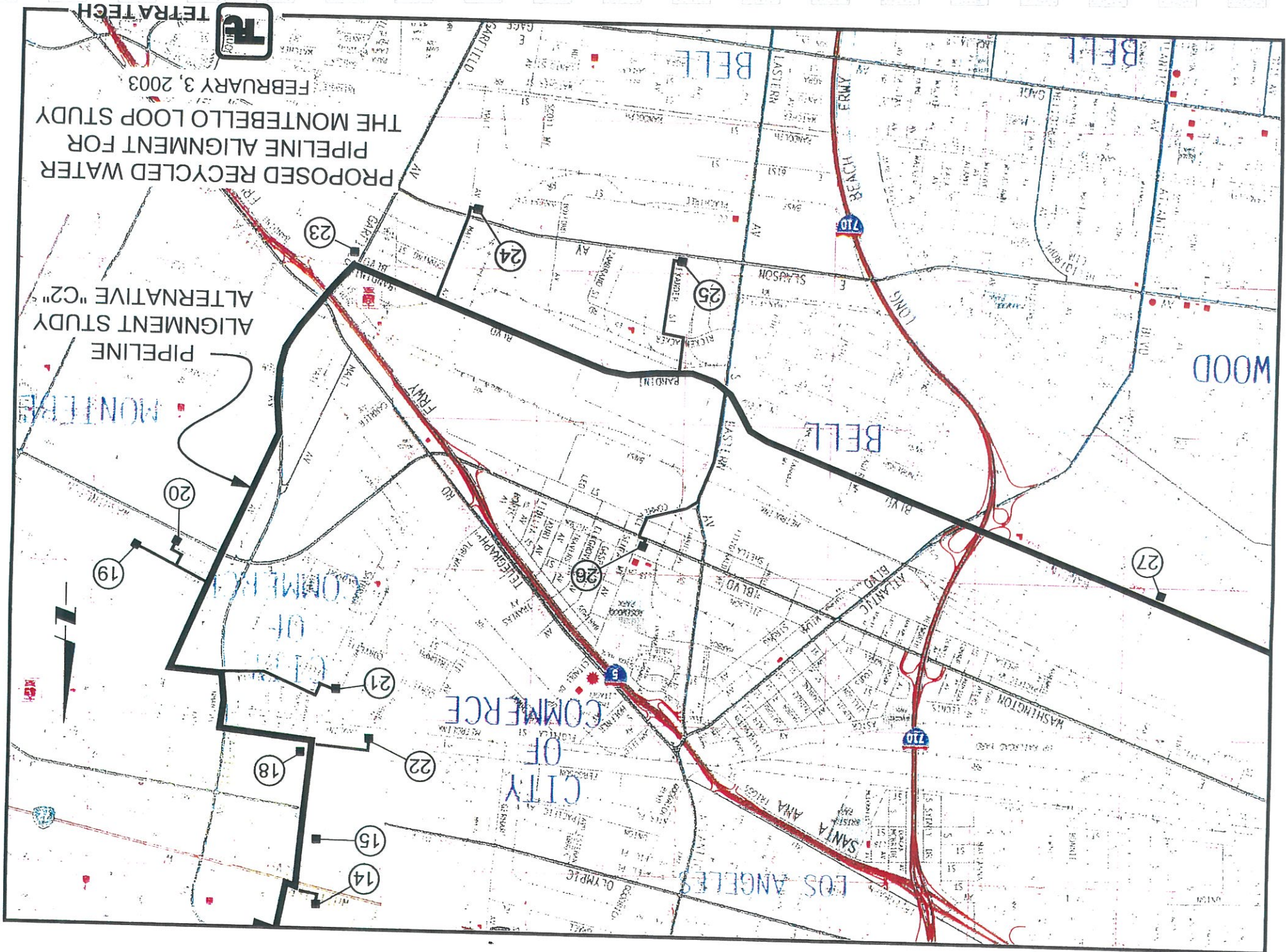


PROPOSED RECYCLED WATER
PIPELINE ALIGNMENT STUDY
ALTERNATIVE "C1"

FEBRUARY 3, 2003



TETRA TECH



**PROPOSED RECYCLED WATER
PIPELINE ALIGNMENT FOR
THE MONTEBELLO LOOP STUDY**

FEBRUARY 3, 2003



City of Commerce

The proposed subject streets are located on the north and northeast side of the City's borders.

At this time, the City of Commerce does not maintain record maps of utilities. Such data has been obtained for city projects by working in conjunction with the various utility companies. Utilizing information provided by the County of Los Angeles, a water and sewer line have pinpointed utility as running beneath Olympic Boulevard between Goodrich Boulevard and Avenida Esteban Torres. Water and sewer utilities cross Olympic Boulevard between Goodrich Boulevard and Gerhart Avenue.

Proposed Route "C1" has water and sewer lines running parallel to the following streets: eastern border of Bell on Bandini Boulevard, Telegraph Road between Atlantic Boulevard to the Rio Hondo River, Tubeway Avenue between Telegraph Road and Smithway Street, and Ferguson Drive between Gerhart Avenue and Westside Drive.

Proposed Route "C2" has a small portion of water and sewer utilities running below Bandini Boulevard, east of the City of Bell border. Another small portion is found just north of Washington Boulevard on Garfield Avenue. A final portion of utility is located underneath Ferguson Drive, east of Carfield Avenue and ending at Gerhart Avenue.

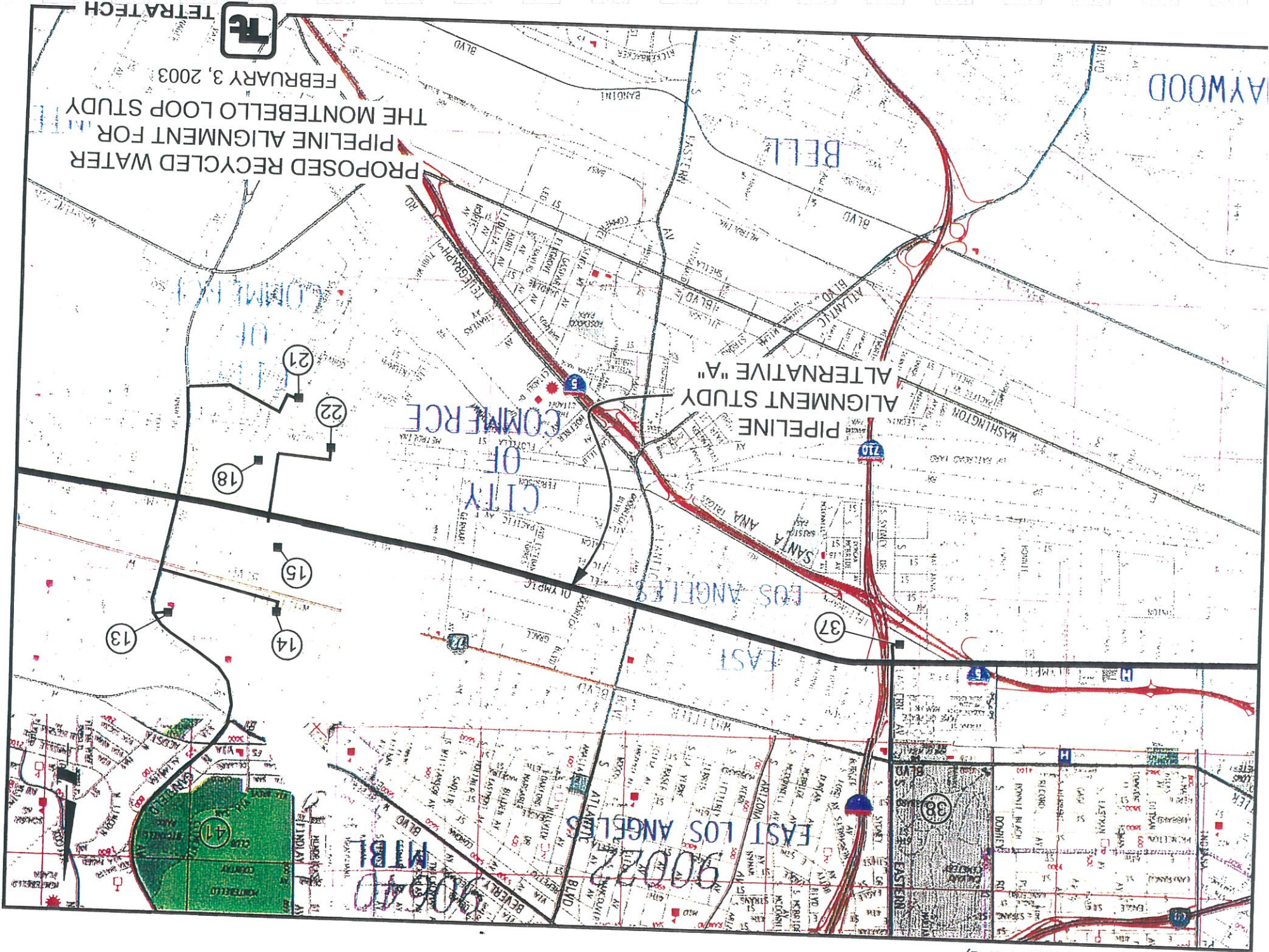
The City of Commerce has stressed that any proposed projects that would run along Bandini Boulevard are not favored, as that portion of roadway is under a moratorium. City of Commerce Planning Department also stated that a possible alternative route per future construction plans for street repair would be most ideal if the proposed line would come from the City of Vernon going eastbound on Bandini Boulevard, to Atlantic Boulevard going northbound, to Washington Boulevard going eastbound. This alternative route was also proposed by the City of Bell as a sound alternative to current proposed routes.

Furthermore, the City of Commerce has a high volume of commercial traffic throughout the day, which need to access the number of industrial, commercial and retail areas along the proposed roadways. Recent road construction in the past has proven to have major impacts on traffic flow and roadway capacity.

Lists of businesses and facilities that share the proposed subject roadway, utility documentation and city ordinance of moratorium is available upon request.

Contact: Larry P. Garcia
Title: Public Service Supervisor
Phone Number: (323) 887-4451

Contact: Maria E. Ibarra
Title: Business License Officer
Phone Number: (323) 722-4805

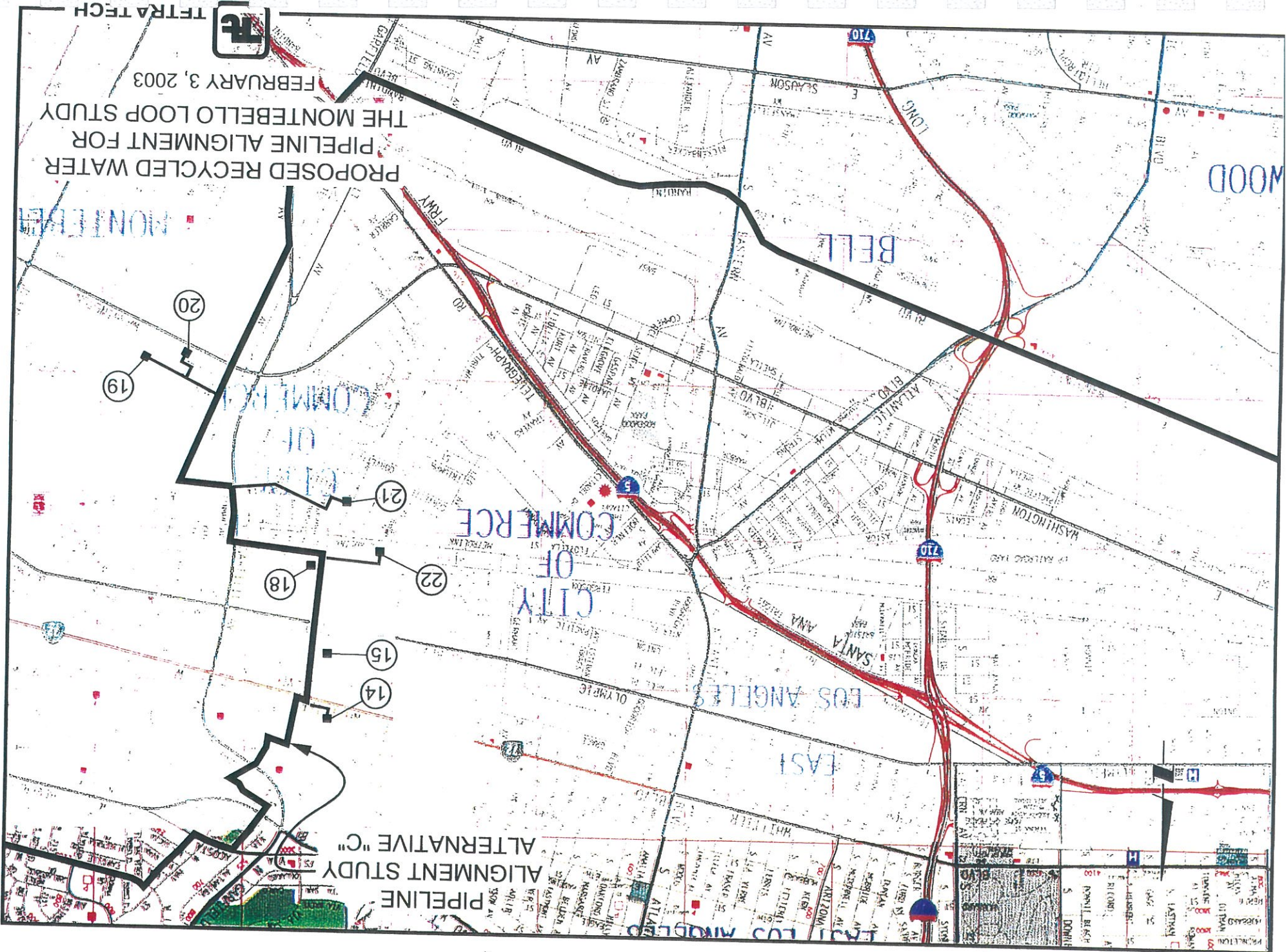


PROPOSED RECYCLED WATER
PIPELINE ALIGNMENT FOR
THE MONTEBELLO LOOP STUDY

FEBRUARY 3, 2003



TETRA TECH



PIPELINE ALIGNMENT STUDY "C" ALTERNATIVE "C"

PROPOSED RECYCLED WATER PIPELINE ALIGNMENT FOR THE MONTEBELLO LOOP STUDY

FEBRUARY 3, 2003



TETRA TECH

Montebello Loop Alignment Agency Impact Assessments

City of Bell

The proposed subject street for the alignment study is located on the northern border east of Vernon and southwest from Commerce.

The subject roadway located within the City of Bell has a water and sewer utility running parallel to it. The utility runs on Bandini Boulevard between Yeager Way to Eastern Avenue. In addition to the water and sewer utility, a city maintained storm drain system runs the length of Bandini Boulevard between Atlantic Boulevard to Eastern Avenue.

The most sensitive intersections on the proposed subject roadway in the City of Bell can be found at Atlantic Boulevard and Bandini Boulevard. This intersection directs the heavy traffic flow going eastbound and westbound on Bandini Boulevard, in addition to facilitating the flow of traffic coming in and out from the I-710 Long Beach Freeway. Intersections crossing Bandini Boulevard at Eastern Avenue would be the only other sensitive areas due to the high volume of traffic.

The Planning Department for the City of Bell stressed that proposed plans requiring any form of construction on Bandini Boulevard must be rerouted. Due to the fact the widening and repavement of Bandini Boulevard has just been recently completed. City of Bell Engineers stated a possible alternative route for the pipeline coming in from the city of Vernon on Bandini Boulevard, to Atlantic Boulevard, and going north to Washington Boulevard. This proposed alternative route could possibly then be incorporated into future plans for roadway renovation on Washington Boulevard by the City of Commerce. As stated before, the City of Commerce has confirmed this to be a more beneficial alternative to the current proposed plans.

Lists of businesses and facilities that share the proposed subject roadway, utility documentation and city ordinance of moratorium is available upon request.

Contact: Carlos Alvarado

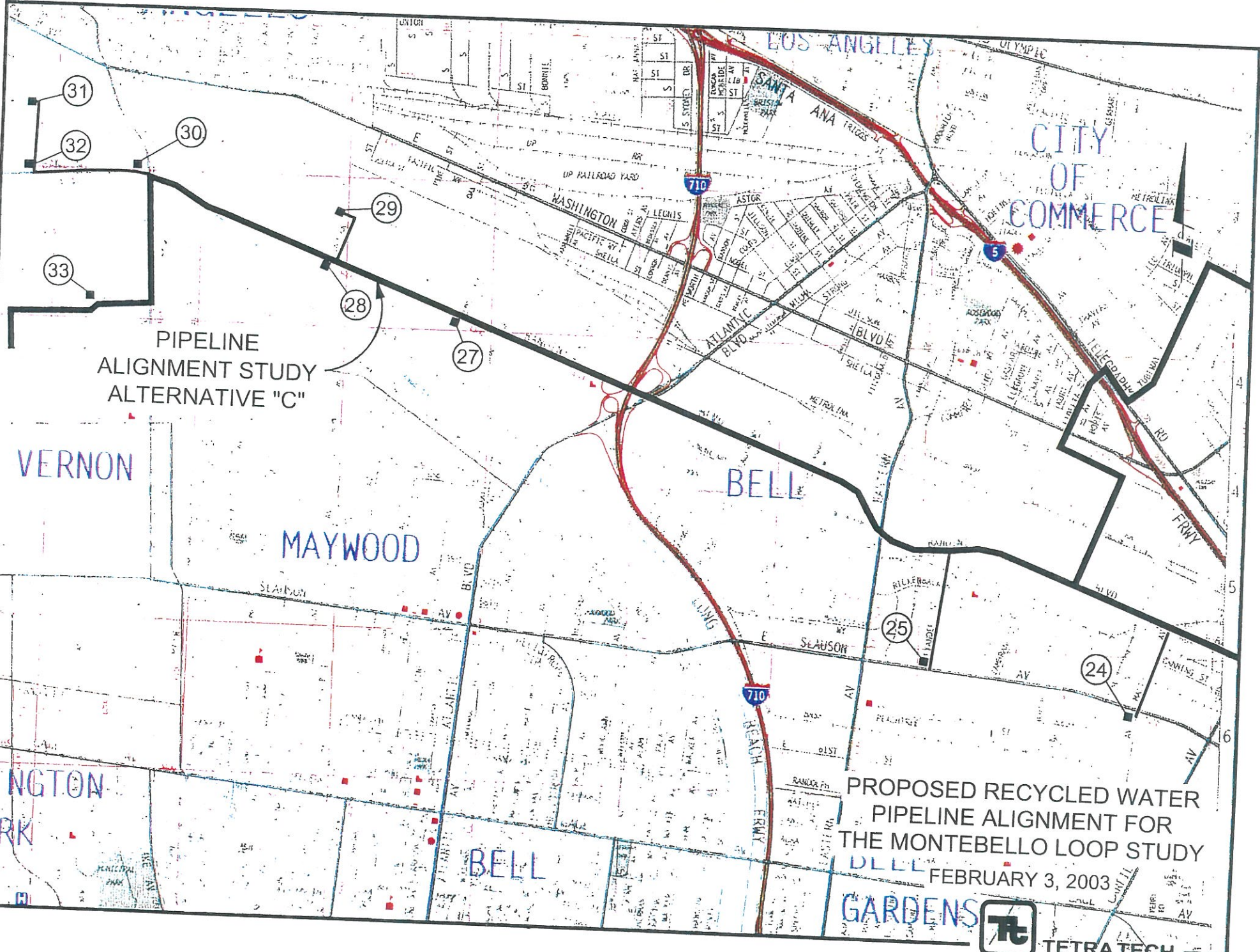
Title: City Engineer

Phone Number: (323) 588-6211

Contact: Luis Ramirez

Title: Associate Civil Engineer

Phone Number: (323) 588-6211



PIPELINE
ALIGNMENT STUDY
ALTERNATIVE "C"

PROPOSED RECYCLED WATER
PIPELINE ALIGNMENT FOR
THE MONTEBELLO LOOP STUDY

FEBRUARY 3, 2003



TETRA TECH

Montebello Loop Alignment Agency Impact Assessments

City of Pico Rivera

The proposed subject street for the alignment study is located on the northern side of the city between the Rio Hondo River to the west and east of the San Gabriel River.

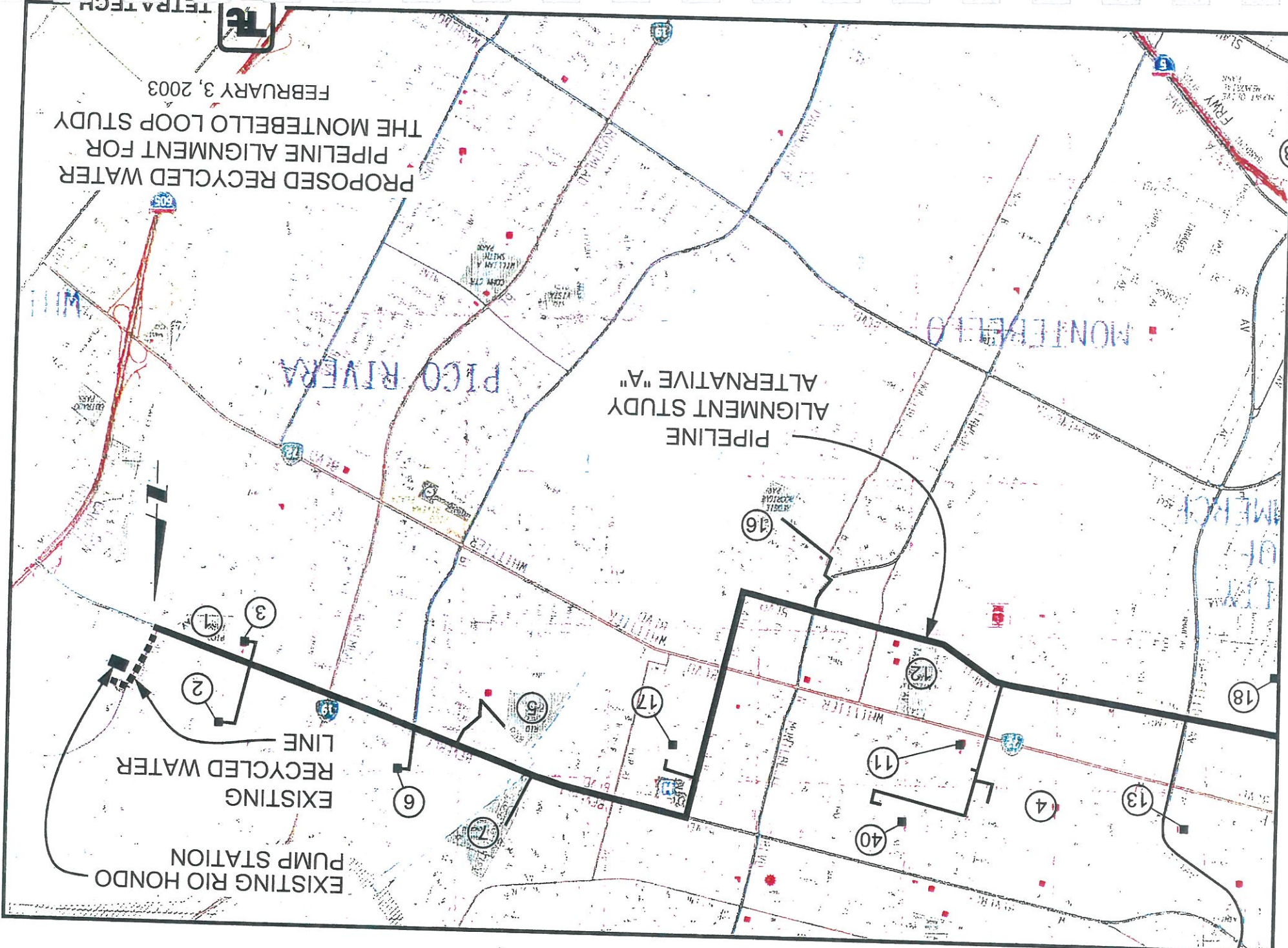
The City of Pico Rivera has started an effort to collect current data of its subsurface-infrastructure as plans and funding become more readily available for improvements. To date the current utilities available are water and sewer. There are water and sewer lines that cross the subject roadway of Beverly Boulevard at Lexington Road, Deland Avenue and Sandoval Avenue. Sections of the same utility run parallel underneath the subject roadway between Rosemead Boulevard and the San Gabriel River. Additional utility information will be available after April 1, 2003.

The proposed route has two key intersections that cross the roadway length going north to south. These intersections cross Beverly Boulevard at Rosemead Boulevard and again at Paramount Boulevard. Construction on this proposed roadway would cause heavy congestion and redirect traffic to Whittier Boulevard, another roadway that already has a high volume of traffic congestion.

The City of Pico Rivera has received funding for a project that will be renovating the subject roadway of Beverly Boulevard from the Rio Hondo River to Durfee Avenue. The project is estimated to begin sometime between 2004-2006.

Lists of businesses and facilities that share the proposed subject roadway, utility documentation and current plans for the renovation of Beverly Boulevard are available upon request.

Contact: Juan Balany
Title: Public Works Associate
Phone Number: (562) 801-4415



PROPOSED RECYCLED WATER
PIPELINE ALIGNMENT FOR
THE MONTEBELLO LOOP STUDY
FEBRUARY 3, 2003



TETRA TECH

PIPELINE
ALIGNMENT STUDY "A"

PICO RIVERA

MONTEBELLO

CITY OF PICO RIVERA

Montebello Loop Alignment Agency Impact Assessments

City of Montebello

The proposed subject roadways cross through the City of Montebello from west to east on the northern and center areas.

Unable to schedule a meeting with city staff, the following information was provided on the water and sewer utilities. Water and sewer lines found along proposed Route "A" run along Olympic Boulevard and crosses Pickering Way, Medford Street, Taylor Avenue and 7th Street. The utility also runs parallel to Olympic Boulevard from 18th Street to 7th Street. Water and sewer lines cross the proposed subject roadway, 4th Street, at Los Angeles Avenue and Madison Avenue. Water and sewer utilities are not found crossing any points along the proposed roadway, Beverly Boulevard. The proposed alternative Route "C" has utilities crossing points at 21st Street and Garfield Avenue.

For the City of Montebello, Beverly Boulevard and Olympic Boulevard are considered crucial roadways. These two streets are truck routes that lead to the City's industrial, commercial and retail areas along the proposed roadways. Sensitive intersections within the city, crossing Olympic Boulevard (Route "A") at Garfield Avenue and Montebello Boulevard, are main roadways that travel from one end of the city to the other with ease. The impact would be moderate to high if any construction were to take place on these roadways.

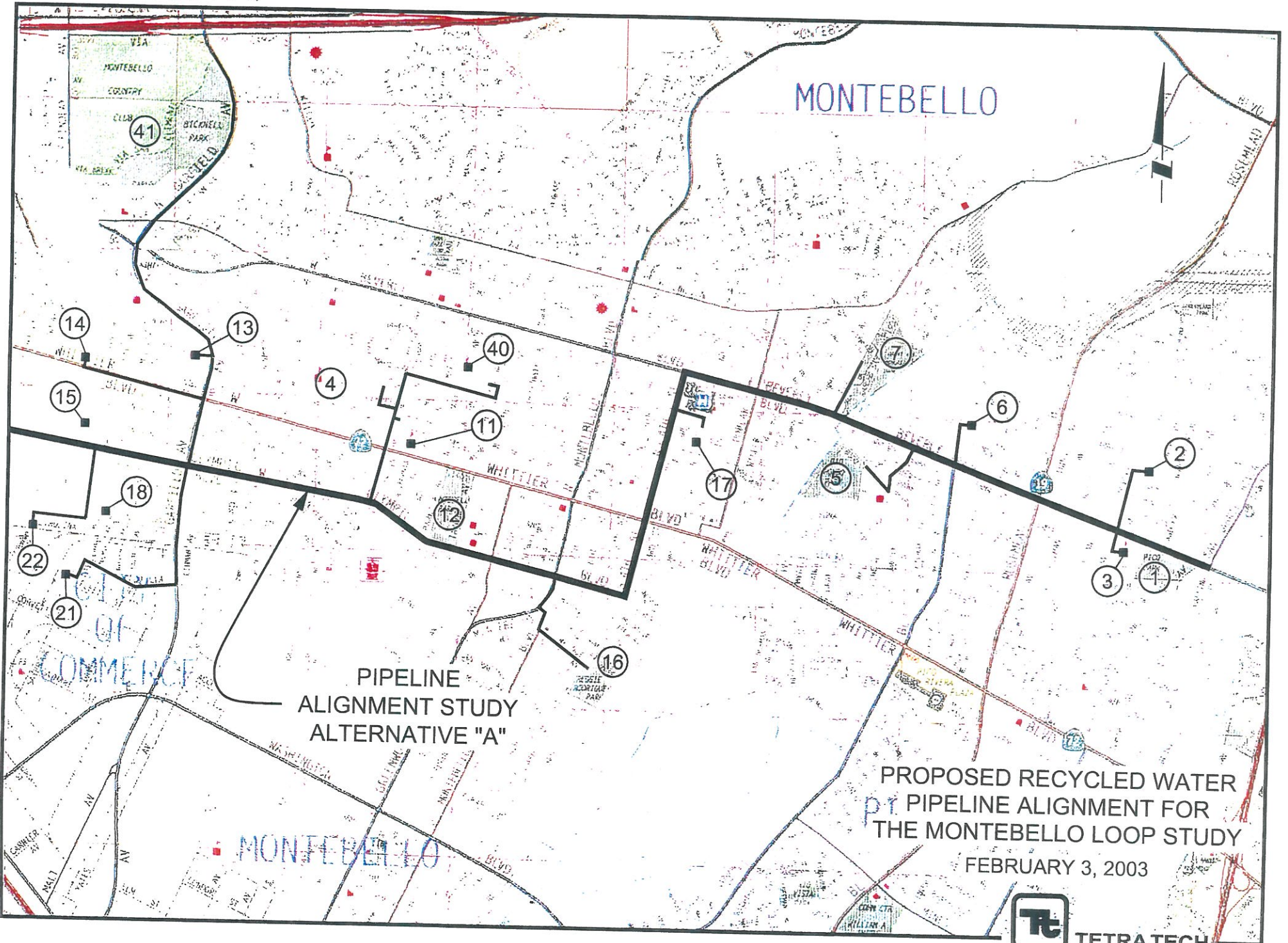
The City of Montebello has received funding to continue construction from 2001 of Via Acosta to Lincoln Avenue in April 2003. Overlay construction of Taylor Avenue to Montebello Boulevard is schedule to begin May 2003.

Lists of businesses and facilities that share the proposed subject roadway are available upon request.

Contact: Anna Zaworski

Title: Public Works Supervisor

Phone Number: (323) 887-1460



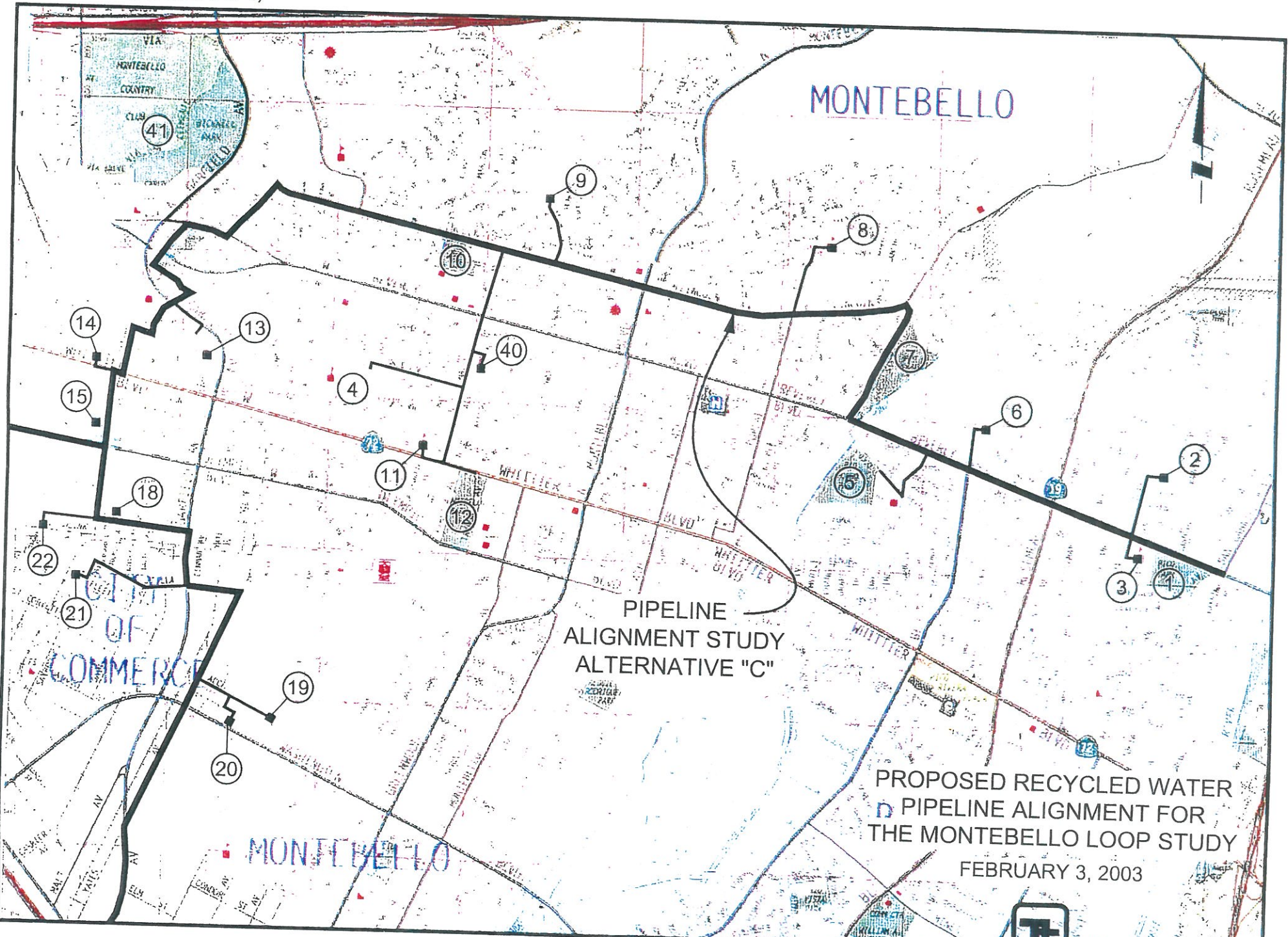
PIPELINE
ALIGNMENT STUDY
ALTERNATIVE "A"

PROPOSED RECYCLED WATER
PIPELINE ALIGNMENT FOR
THE MONTEBELLO LOOP STUDY

FEBRUARY 3, 2003



7/18/03 0007/00/7/03 Ramon - unclassified



PIPELINE
ALIGNMENT STUDY
ALTERNATIVE "C"

PROPOSED RECYCLED WATER
PIPELINE ALIGNMENT FOR
THE MONTEBELLO LOOP STUDY

FEBRUARY 3, 2003



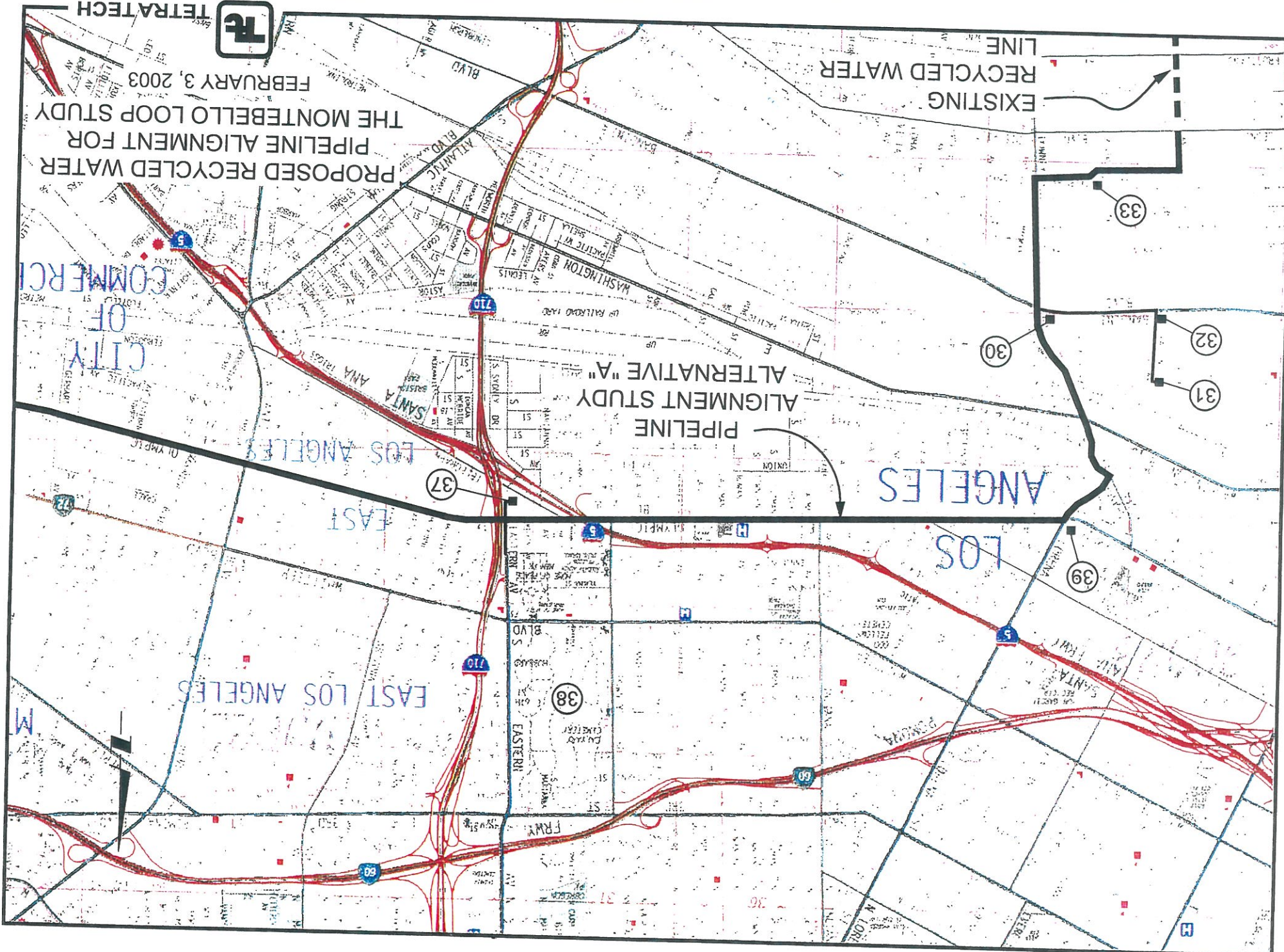
Montebello Loop Alignment Agency Impact Assessments

City of Vernon

The proposed subject roadways are located on the western region and crossing through the city from west to east on the northern area.

For the meeting scheduled with the City of Vernon, I was accompanied by a representative from the Central Basin Municipal Water District, Mark Tettemer. At this time the information requested will be made available approximately late April to mid-May 2003. Due to the sensitive level of the relationship with the City of Vernon, Mr. Tettemer deemed the timeline for the requested information acceptable.

Contact: Sherwood "Woody" Natsuhara
Title: Deputy Director of Community Services and Water
Phone Number: (323) 583-8811



TETRA TECH
FEBRUARY 3, 2003
PROPOSED RECYCLED WATER
PIPELINE ALIGNMENT FOR
THE MONTEBELLO LOOP STUDY

PIPELINE
ALIGNMENT STUDY "A"

EXISTING
RECYCLED WATER
LINE

LOS
ANGELES

EAST LOS ANGELES

EAST

LOS ANGELES

CITY
OF
COMMERCE



Appendix E

Cost Estimates

CENTRAL BASIN MUNICIPAL WATER DISTRICT

Montebello Loop Recycled Water Line

Draft Estimated Capital Costs

Description	Size	Unit	Unit Cost	Alt A		Alt B		Alt C1		Alt C2	
				Quantity Units	Cost	Quantity Units	Cost	Quantity Units	Cost	Quantity Units	Cost
Mob., Demob. & Clean-up		LS	\$1,000,000	1	\$ 1,000,000	1	\$ 1,000,000	1	\$ 1,000,000	1	\$ 1,000,000
Pipeline											
8" Pipe	-	LF	\$ 110	38,175	\$ 4,199,250	36,575	\$ 4,023,250	39,125	\$ 4,303,750	33,725	\$ 3,709,750
10" Pipe	-	LF	\$ 125	-	\$ -	-	\$ -	-	\$ -	-	\$ -
12" Pipe	-	LF	\$ 135	14,200	\$ 1,917,000	16,300	\$ 2,200,500	16,300	\$ 2,200,500	16,300	\$ 2,200,500
16" Pipe	-	LF	\$ 190	-	\$ -	-	\$ -	-	\$ -	-	\$ -
18" Pipe	-	LF	\$ 230	-	\$ -	-	\$ -	-	\$ -	-	\$ -
20" Pipe	-	LF	\$ 245	420	\$ 102,900	420	\$ 102,900	420	\$ 102,900	420	\$ 102,900
24" Pipe	-	LF	\$ 270	7,200	\$ 1,944,000	7,200	\$ 1,944,000	7,200	\$ 1,944,000	7,200	\$ 1,944,000
30" Pipe	-	LF	\$ 300	49,400	\$ 14,820,000	53,800	\$ 16,140,000	63,500	\$ 19,050,000	65,000	\$ 19,500,000
Bore & Jack											
Bore Pit & Receiving Pit	-	EA	\$ 40,000	10	\$ 400,000	8	\$ 320,000	18	\$ 720,000	19	\$ 760,000
Carrier Pipe with Casing	-	LF	\$ 1,000	900	\$ 900,000	600	\$ 600,000	1,500	\$ 1,500,000	1,500	\$ 1,500,000
Traffic Control	-	LF	\$ 2	109,395	\$ 218,790	114,295	\$ 228,590	126,545	\$ 253,090	122,645	\$ 245,290
Reservoir	1MG	EA	\$1,000,000	-	\$ -	-	\$ -	-	\$ -	-	\$ -
PRS's	-	EA	\$ 20,000	-	\$ -	-	\$ -	-	\$ -	-	\$ -
Subtotal					\$ 25,501,940		\$ 26,559,240		\$ 31,074,240		\$ 30,962,440
Contingency @ 15%					\$ 3,825,291		\$ 3,983,886		\$ 4,661,136		\$ 4,644,366
Total Estimated Capital Costs					\$ 29,327,231		\$ 30,543,126		\$ 35,735,376		\$ 35,606,806

Appendix F

Hydraulic Model Input/Output Tables

JUNCTION INPUT				
ID	DESCRIPTION	ELEVATION (ft.)	DEMAND1 (gpm)	PATTERN1
1000	1000	70	0	0
1010	1010	74	0	0
1020	1020	70	0	0
1030	Andy's Nursery	83.5	20.3	110
1040	Junction	95.2	0	0
1050	Ernie Pyle HS	80	11.2	100
1060	Bellflower HS	78	73.3	100
1070	Belloso Farms Nursery	95.4	1.3	110
1080	Palm Growers Nursery/Zinn Park/Avilla Nursery	96.2	20.4	110
1090	Avila Nursery	103.8	4.8	110
1092	Junction	103	0	0
1094	Junction	102	0	0
1100	Gauldin Elementary/Columbus HS	92	3.2	100
1110	Independence Park	96	10.5	100
1120	Junction	111.4	0	0
1130	Rio San Gabriel Park	115	25.4	100
1140	East Middle & Rio San Gabriel School	120	17.5	100
1150	1150	113.4	0	0
1160	1160	132	0	0
1170	1170	130	0	0
1180	Junction	117.5	0	0
1190	Wilderness Park	69	55	100
1200	Caltrans 5/605 (Florence NS/SS)	115.6	12.9	110
1204	Junction	118	0	0
1205	Median Dollison @Quinn	118	0.5	100
1210	1210	116.8	0	0
1211	Median Orr & Day	120.5	0.5	100
1220	Lake Center Park	121	14.6	100
1231	Lake Center Schl. & Clarkman Walkway	124	13.4	100
1232	Lakeview Park	125	9.7	100
1233	SFS High School	127	24.9	100
1234	Walkway/Pioneer medians/Aquatic Ctr/Clark Estates/Greenstone	127	0.5	100
1235	Lakeview Childcare Center (Jersey)	129	1.2	100
1240	Florence Median	117.8	2.6	100
1241	1241	123	0	0
1250	Junction	127.4	0	0
1260	Little Lake Park	122.6	28	100
1270	Junction	132.4	0	0
1280	(Villa Santa Fe Apartments)	141.5		
1285	(Powerline 98) - Never came on line	138	0	210
1290	1290	153.8	0	0
1300	1300	147.2	0	0
1310	Robertson's Ready-Mix	134	8.8	200
1320	1320	134	0	0
1330	(Norwalk Golf Course 98)	86	16.1	100
1333	Zimmerman Park/Hargitt MS/John Glenn HS	94	13.2	100
1334	(Thomas Moffit School/CYA 98)	96	6.4	200
1335	1335	99	0	0
1336	(Norwalk Civic Center 98)	105	0	0
1337	1337	105	0	0
1338	(Metro State Hospital)	108	48.5	210
1340	Caltrans 5/Firestone (Shoemaker)	75.5	0.8	110
1350	Junction	76.8	0	0
1360	Ramona Park & Ramona Elem. Schl.	78.2	9.4	100
1370	(Orange County Nursery 98)	77.6		
1380	Junction	77.2	0	0
1400	Nominal User	75.5		
1410	Turfex	74.2	400	210

JUNCTION INPUT				
ID	DESCRIPTION	ELEVATION (ft.)	DEMAND1 (gpm)	PATTERN1
1420	Police/SFS Promenade/Telegraph median	127	15	110
1430	Jersey Ave. Sch, SFS HS, and Los Nietos Park	145	19	100
1500	Lewis Schl.	86	5.1	100
1502	Junction	90.5	0	0
1504	Woodruff Ave medians	92	8.1	100
1506	Foster Median @ Dunrobin	89	2.2	100
1510	Thompson Park/Bellflower median	84.4	16.9	100
1520	Caltrans 105/Bellflower	88.3	35.4	110
1530	Carpenter School	88.8	6.1	100
1540	Downey Cemetary	88.8	17.5	100
1550	1550	90.2	0	0
1560	(Ward School 98)	91.8		
1570	1570	92.4	0	0
1580	Caltrans 105/Lakewood (Adoree)	92.4	41.8	110
1590	1590	95.6	0	0
1595	South Middle/Alameda School 98)	97	13.4	100
1600	Caltrans 605/105 (Foster/Flatbush)	89.5	0	2
1610	Caltrans 605/105 (Behrans/Foster)	89.3	27.1	110
1620	New River Elementary	89.5	6.1	100
1630	Junction	90	0	0
1640	D.D. Johnston Elementary Schl.	87.3	6.5	100
1641	Corvallis MS	89	23.7	100
1650	Junction	92	0	0
1660	Vista Verdes Park	96.6	12.2	100
1670	Norwalk HS	91.3	29.1	100
1680	Morrison Schl.	93	5.9	100
1690	Junction	86.6	0	0
1691	Norwalk Pump	86.6	0	0
1693	Norwalk Pump	86.6	0	0
1700	Junction	85.8	0	0
1710	Junction	81.8	0	0
1712	Junction	81	0	0
1720	Lampton Middle School	79.2	9.7	100
1730	Gardes Park	83.8	13.4	100
1740	Norwalk Adult Schl.	81.4	18.7	100
1750	Nuffer Elementary Schl.	80.4	6.2	100
2010	2010	68.5		
2020	2020	66	0	0
2030	Junction	71	0	0
2040	(Bellflower Civic Center 98)	71		
2050	2050	73.5	0	0
2060	Junction	72	0	0
2065	Simms Park	69	12.1	100
2070	Junction	75	0	0
2080	2080	74.5	0	0
2090	Bellflower Golf & Tennis	75		
2100	2100	75.6	0	0
2110	2110	77	0	0
2120	Jaurague Nursery	77	6.9	110
2130	Billy Lee Nursery/Progress Park 98	70.4	5.6	110
2140	Alondra JHS/Alondra median/(Kathy Thatch)	66.4	13.2	100
2150	Mokler Elementary	62.8	5.9	100
2160	Junction	77	0	0
2170	Paramount HS/Downey @Conteras Med.	76.5	36.3	100
2180	Wirtz Elementary Schl.	77.2	9.4	100
2190		77.8		
2200	Rosecrans-Paramount median/Lan Vong Nursery	73.5	1.9	100
2210	Paramount Park	73.6	20.4	100

JUNCTION INPUT				
ID	DESCRIPTION	ELEVATION (ft.)	DEMAND1 (gpm)	PATTERN1
2220	Clearwater (Paramount) JHS	73.4	18.5	100
2230	Menh-Hau Liu Nursery	75	0.2	110
2240	Senh-Hau Liu Nursery	81	1.6	110
2245	Alta Produce/710-105/Belloso Nursery/Orange Ave. median	79	2.1	100
2250	ABC Nursery-Paramount	70.5	27.4	110
2255	Paramount Redi-Mix	74	14.6	200
2256	Rosecrans medians@SCE/McLane Mowers	74	6.2	100
2260	Steam Engine Park	71.8	1.2	100
2270	Los Carritos Elementary	72.4	4.7	100
2280	Spane Park	72.8	10	100
2290	Somerset median@ Texaco	70	3.7	100
2300	(Pacific Nursery/Whiteflower Nursery 98)	64.2		
2310	Somerset median @ S. J. & Open Space Park	68	3.9	100
2320	Keppet Elem. Schl/(Dominguez HS 98)	66.6	4.5	100
2330	2330	67.8	0	0
2340	Compton Golf Course	75	21.9	100
2350	(Dillis (Banana) Park 98)	67		
2360	Junction	84.8	0	0
2370	Hollydale Park/Belloso Farms SG	88.5	104.5	100
2380	2380	94	0	0
2390	(Pacific Nursery 98)	98	19	110
2400	Circle Park	100.5	8.7	100
2410	Junction	104.5	0	0
2420	West MS/Temple Park	102.8	20.5	100
2430	2430	109.6	0	0
2440	Crawford Park	113.6	6.3	100
2442	Junction	112	0	0
2450	2450	114.8	0	0
2460	Junction	118.3	0	0
2463	Junction	118	0	0
2464	Rio Hondo Golf Course M#1	115	148.7	2464
2465	Junction	116	0	0
2468	Junction	116	0	0
2470	2470	117.4	0	0
2471	Rio Hondo Golf Course M#2	115	0	0
2473	2473	119.6	0	0
2480	John Ford Park/Ford GC/Soccer/Garfield medians	116.8	44.5	100
2487	2487	94	0	0
2489	2489	113.6	0	0
2500		96.2	0	0
3000	3000	130	0	0
3001	3001	130	0	0
3010	3010	130	0	0
3012	Heritage Park	138	11.4	100
3014	Heritage Corp	130	26.6	100
3016	Nrwk/Tele Flat	137.6	0	100
3030	3030	148.8	0	0
3040	(McMaster Car Supply Company)	156.8	0	200
3050	Field S/W Norwalk/Telegraph	155	4.2	100
3060	3060	153.2	0	0
3070	3070	152.7	0	0
3080	Washington Elementary	155.8	6.2	100
3090	3090	158.8	0	0
3100	Sorenson school, library, and park	165.2	5.5	100
3105	Katherine Edwards Schl.	167	19.8	100
3110	3110	208.6	0	0
3113	Junction	187	0	0
3120	3120	202.6	0	0

JUNCTION INPUT				
ID	DESCRIPTION	ELEVATION (ft.)	DEMAND1 (gpm)	PATTERN1
3125	Palm Park (West Side)	215	6.2	100
3130	Orange Grove Elem. Schl.	229.8	5	100
3140	Caltrans 605/Beverly	222.2	19.6	110
3150	Rose Hills - Upper SGV	268.8	1,500.00	1
3160	3160	203.2	0	0
3170	3170	192.2	0	0
3180	3180	185.6	0	0
3190	3190	192.2	0	0
3200	Pico Rivera Golf Course	203	74	100
3210	Pico Park	184	15.5	102
3220	3220	250	0	0
3230	3230	259	0	0
3240	Longfellow Elem. Schl.	280	2.4	100
3250	Walter Dexter MS	245	5.5	100
3260	Founders Memorial Park	280	4.3	100
4000	Caltrans 710/M.L. King	83	13.5	110
4010	Lynwood Expansion	82.4		
4020	Hamm Park	81.8	10.5	100
4030	Caltrans 710/105 (Fernwood/Wright)	75.2	16.1	110
4040	(Abbot School 98)	75.2		
4050	4050	73.6	0	0
4060	4060	72	0	0
4070	(Whaley School 98)	71		
4080	Caltrans 710/San Rafael (Rosecrans)	70	42.6	110
4090	Imperial/Wright median	90.2	0.7	100
4100	Junction	99.5	0	0
4120	4120	102.8	0	0
4125	Junction	110	0	0
4130	Junction	114	0	0
4135		118		
4140	Philadelphia Quartz	120		
4150	Cudahy City Park	125		
4160	Lugo Park/(Teresa Highes School)	119	4.9	100
4170	VPS Discharge	119	0	1
5150	Saybrook Park	185	27.9	210
5350	Junction	164	0	
5360	Mackie International	170	24	210
5370	Lyon X-mas Nursery	164	5	210
5410	Damas Nursery	175	1.9	210
5420	Mimosa Nursery/Hubbard Nursery	190	11.8	210
5430	Junction	210	0	
5440	Cantwell/Sacred Heart HS	205	9.3	210
5470	Bicknell Park/Montebello GC	240	3.7	210
5479	Montebello GC	305	190	210
5483		250		
6000	Junction	183	0	
6002	Pio Pico School	185	8.6	100
6004	Rio Hondo Park	190	16.7	100
6008	La Merced Elementary/Jr. High School	255	0.6	100
6010	Mobile Home Park	197	0	
6020	Grant Rae Park	204.2	32.2	100
6042	Montebello Jr. HS	195	12.4	210
6043	Junction	199	0	
6044	Junction	191	0	
6045	Washington School	198	0.6	100
6046	Montebello City Park	190	20.5	100
6047	Montebello High School	200	18.6	210
6048	Montebello Civic Center	290	0	

JUNCTION INPUT				
ID	DESCRIPTION	ELEVATION (ft.)	DEMAND1 (gpm)	PATTERN1
6049	Acuna Park	296	19.2	100
6052		185	0	
6054	Taylor Ranch	283.19	32	100
6056	Wilcox Elem. School	325.17	0	
6066	Golden Springs	100	46.9	110
6072		153.8	0	
6110		100	0	
7010	Winkler Flexible Products	174	0	
7020	Caltrans 710/5	183	5	210
7030	Dye Finish ColorTex	189	206.5	210
7040	New Calvary Cemetary	192.4	20	210
7050	OEM Corp	194	0	
7060	Keshbaff Knitting	197	322	210
7070	7070	196	0	
7080	Vernon Truck Wash	188	20.5	210
8000	Junction	189	0	
8010	Dales Transport	186	0	
8020	Tissurama	189.6	375.1	210
8030	Filtrol Corp/Pacific Anchor Chemical	194	24.8	210
8040	Baker Commodities	170.2	76.9	210
8050	GNB Inc.	177.4	55.8	210
8060	West Coast Rendering	167	0	
8070	Packing Corp. Of America/Clorox Co.	161	12.4	210
8080	8080	188.6	0	
8090	8090	189	0	
8100	Sunlaw Grogen	186.6	155	210
8108	Barksdale Controls	184	0	
8110	Junction	184	0	
8112	Primo Corp	183	0	
8120	Pacific Fabrics Printers	181.4	0	
8130	PACIFIC FABRICATORS	178.8	64.5	210
8140	MARLBURG	185.8	1,200.00	1
8148	California Webbing	196	0	
8150	Pabco Paper Products	198	124	210
9000	Bell High School (not on-line)	100	0	
9010	Nueva Vista Elementary/Trader Park (not on-line)	150	0	100
9020	Junction	155	0	0
9030	Salt Lake Muni Park & Bon Center/Sprt Cmplx	145	37.3	100
9040	9040	166	0	
9048	Norris Co.	170	131.5	210
9050	Junction	167	0	
9060	Huntington Park High School	176	16.7	210
9070	Aluminum Co. of America	177	277.1	210
9080	Junction	188	0	
9090	LA Dye Works (Finish Div.)	187	310	210
9092	LA Dye Works (Rainbow Div.)	187	0	
9100	Container Corp. of America	184	186	210
10000	RH PS	192.2	0	0
10002	10002	74	0	0
10004	Norwalk PRV	130	0	0
10010	Durfee Elementary	184	12	100
10090	North Park Jr. High School	184	14	100

ID	PIPE INPUT		
	LENGTH (ft.)	DIAMETER (in.)	ROUGHNESS ("C")
1000	10	24	115
1010	36	24	115
1020	360	30	115
1030	5,624.00	30	115
1040	1,419.00	8	115
1050	929	6	115
1060	603	8	115
1070	2,247.00	30	115
1080	2,780.00	30	115
1090	3,840.00	30	115
1092	1,064.19	30	115
1094	658.23	30	115
1100	1,461.00	8	115
1110	1,527.00	8	115
1120	1,941.88	30	115
1130	1,041.00	6	115
1140	2,258.00	6	115
1150	315	30	115
1160	3,820.00	24	115
1170	352	20	115
1180	378	24	115
1190	1,200.00	6	115
1200	537	24	115
1204	1,446.31	24	115
1205	1,168.59	24	115
1210	482.82	24	115
1211	1,135.00	24	60
1220	824	24	115
1231	1,356.00	8	115
1232	1,035.00	12	115
1233	744	8	115
1234	1,054.00	8	115
1235	599	6	115
1236	706	8	115
1240	1,701.00	24	60
1241	1,130.00	24	60
1250	369	24	60
1260	1,300.00	6	115
1270	961	24	60
1280	1,300.00	24	115
1285	1,335.00	24	115
1290	2,203.00	24	115
1300	2,146.75	16	115
1310	4,016.00	16	115
1320	898	16	115
1330	878	16	115
1333	4,018.00	16	115
1334	2,730.70	16	115
1335	1,116.30	12	115
1336	3,025.00	12	115
1337	1,035.00	12	115
1338	673	10	115
1340	3,232.00	16	115
1350	1,349.00	16	115
1360	1,450.00	6	115
1370	1,004.00	16	115
1380	3,365.00	16	115
1400	2,170.00	16	115

ID	LENGTH (ft.)	PIPE INPUT		ROUGHNESS ("C")
		DIAMETER (in.)		
1410	191	8		115
1430	2,940.00	8		115
1500	1,380.50	12		115
1501	476	4		115
1502	2,012.58	12		115
1506	992.09	12		115
1510	1,360.00	6		115
1520	954	6		115
1530	2,767.00	12		115
1540	1,564.00	12		115
1550	943	12		115
1560	838	8		115
1570	540	8		115
1580	370	8		115
1590	1,592.00	8		115
1595	1,003.00	8		115
1600	1,558.00	12		115
1610	297	12		115
1620	1,048.00	12		115
1630	1,394.00	12		115
1640	890	6		115
1650	2,282.00	12		115
1660	1,247.52	6		115
1667	529.26	6		115
1670	470	12		115
1680	620	6		115
1690	1,388.00	6		115
1691	10	6		115
1693	10	6		115
1695	1,148.00	6		115
1700	1,148.00	6		115
1710	2,499.00	6		115
1720	583.5	6		115
1730	912	6		115
1740	1,570.00	6		115
1750	570	6		115
2010	433	24		115
2020	1,667.00	24		115
2030	2,780.00	24		115
2040	180	6		115
2050	1,020.00	24		115
2060	1,422.92	24		115
2065	1,608.28	8		115
2070	3,260.01	24		115
2080	1,060.00	6		115
2090	152	4		115
2100	2,409.00	24		115
2110	640	24		115
2120	190	24		115
2130	1,801.00	16		115
2140	1,680.00	16		115
2150	1,480.00	16		115
2160	1,378.00	24		115
2170	384	12		115
2180	340	12		115
2190	122	24		115
2200	2,915.00	24		115
2210	660	8		115

ID	PIPE INPUT		
	LENGTH (ft.)	DIAMETER (in.)	ROUGHNESS ("C")
2220	245	8	115
2230	3,140.00	24	115
2240	1,496.00	24	115
2245	1,500.00	24	115
2250	1,400.00	8	115
2255	900	8	115
2256	1,854.00	8	115
2260	565	6	115
2270	585	6	115
2280	495	6	115
2290	1,135.00	8	115
2300	3,282.00	6	115
2310	2,594.00	8	115
2320	1,066.00	6	115
2330	668	8	115
2340	675	8	115
2350	378	4	115
2360	1,802.00	24	115
2370	3,039.00	16	115
2380	2,625.00	16	65
2390	2,344.00	16	65
2400	563	16	65
2410	2,332.00	16	115
2420	2,594.00	6	115
2430	1,910.42	16	115
2440	1,534.30	16	115
2442	469.26	16	115
2450	1,218.00	16	115
2460	1,200.00	16	115
2461	1,260.00	16	115
2462	1,479.00	12	115
2463	138	8	115
2464	996	12	115
2467	46	8	115
2468	852	12	115
2470	285	8	115
2480	2,288.00	16	115
2488	1	16	65
2489	10	16	115
2490	1,780.00	24	115
2500	1,600.00	12	115
3000	1,260.00	16	130
3012	808.92	6	115
3014	1,046.12	8	115
3016	1,237.32	4	115
3020	140	9.1	115
3021	1	16	130
3060	2,721.75	16	115
3070	2,508.44	16	115
3080	1,170.23	16	115
3090	1,246.42	16	115
3100	1,903.00	16	115
3105	2,700.00	6	115
3110	2,565.00	16	115
3111	1,190.00	30	115
3113	1,090.66	24	115
3120	1,280.00	16	115
3125	1,190.00	30	115

ID	LENGTH (ft.)	PIPE INPUT	
		DIAMETER (in.)	ROUGHNESS ("C")
3130	1,863.00	16	115
3140	2,918.00	16	115
3150	2,015.00	30	115
3160	1,680.00	30	115
3170	1,910.00	30	115
3180	2,565.00	30	115
3190	401	24	115
3200	2,281.00	30	115
3210	100	30	115
3220	400	48	115
3230	2,001.00	12	115
3240	2,241.00	12	115
3250	971	36	115
3260	1,377.00	18	115
3270	400	6	115
3280	618	4	115
3290	1,251.00	4	115
3300	1,500.00	18	115
4000	515	24	115
4010	331	8	115
4020	1,420.00	8	115
4030	2,375.00	8	115
4040	1,412.00	8	115
4050	800	8	115
4060	1,039.00	8	115
4070	682	6	115
4080	4,581.00	12	115
4090	3,943.00	12	115
4120	1,772.00	18	115
4125	1,901.25	18	64
4130	2,109.72	18	64
4135	1,375.71	10	115
4140	1,519.75	10	115
4150	2,359.00	18	64
4160	2,563.00	18	64
4162	329.44	18	115
5350	984.38	8	130
5360	854.99	16	115
5400	1,870.18	16	130
5410	1,222.11	16	130
5420	1,702.92	30	130
5430	979.66	30	130
5440	528.76	30	130
6000	1,190.00	30	115
6002	1,326.68	8	115
6004	1,357.35	8	115
6010	1,612.50	30	130
6020	663.35	30	130
6043	699.06	8	115
6044	1,311.47	8	115
6045	656.3	8	115
6046	1,053.57	8	115
6047	1,811.57	8	115
6048	2,626.48	8	115
6049	676.64	8	115
6052	1,544.00	30	130
6056	4,210.70	30	130
6058	4,755.05	30	130

PIPE INPUT			
ID	LENGTH (ft.)	DIAMETER (in.)	ROUGHNESS ("C")
6060	1,530.31	30	130
6062	2,567.63	30	115
6064	664.66	30	130
6076	464.88	16	115
6114	1,463.00	18	115
6118	1,372.75	16	115
6196	4,758.72	30	130
6202	369.31	8	130
6204	2,334.44	30	130
7010	9,770.00	30	130
7020	1,719.00	30	130
7030	1,100.00	30	130
7040	470	30	130
7050	284	30	130
7060	8,029.00	30	130
7070	242	30	130
7080	3,890.00	30	130
8000	255	24	130
8010	1,083.00	12	130
8020	980	12	130
8030	613	10	130
8040	3,746.00	12	130
8050	1,296.00	6	115
8060	809	12	115
8070	1,528.00	12	115
8080	375	24	130
8090	510	24	130
8100	3,814.00	24	130
8108	476.42	20	130
8110	3,368.00	24	130
8112	457.54	12	130
8120	852.88	12	130
8130	1,337.00	8	130
8140	3,261.55	20	130
8148	724.29	8	115
8150	2,694.34	8	130
9000	2,189.92	18	115
9010	2,566.44	18	115
9020	5,037.00	18	115
9030	3,032.00	12	115
9040	1,245.00	18	130
9048	1,196.79	18	130
9050	1,926.00	18	130
9060	1,981.00	10	130
9070	1,473.12	18	130
9080	1,025.00	12	130
9090	1,814.00	18	130
9092	1,022.63	8	130
9100	1,042.00	12	130
9110	2,912.00	18	130
9140	600	6	115
10010	901.83	8	115
1000000	1	99	199
1000002	1	99	199

JUNCTION OUTPUT

ID	Demand (gpm)	Elevation (ft)	Grade (ft)	Pressure (psi)
1000	0	70	324	110.11
1010	0	74	323.95	108.35
1020	0	70	323.78	110.01
1030	0	83.5	322.29	103.52
1040	0	95.2	315.39	95.45
1050	57.12	80	314.95	101.85
1060	373.83	78	313.13	101.93
1070	0	95.4	321.85	98.17
1080	37.23	96.2	321.31	97.58
1090	0	103.8	321.04	94.18
1092	0	103	320.95	94.48
1094	0	102	320.98	94.93
1100	69.36	92	320.35	98.99
1110	53.55	96	320.19	97.19
1120	0	111.4	320.83	90.79
1130	129.54	115	311.78	85.31
1140	146.88	120	305.69	80.5
1150	0	113.4	320.82	89.92
1160	0	132	320.41	81.67
1170	0	130	320.31	82.5
1180	0	117.5	320.27	87.9
1190	280.5	69	309.56	104.28
1200	0	115.6	320.24	88.71
1204	0	118	320.16	87.64
1205	2.55	118	320.13	87.62
1210	0	116.8	320.06	88.11
1211	2.55	120.5	320.01	86.49
1220	74.46	121	319.79	86.18
1231	69.87	124	311.48	81.27
1232	49.47	125	310.82	80.55
1233	126.99	127	308.1	78.51
1234	53.04	127	307.86	78.4
1235	6.12	129	308.1	77.64
1240	13.26	117.8	319.78	87.56
1241	0	123	319.77	85.3
1250	0	127.4	319.76	83.39
1260	142.8	122.6	316.43	84.03
1270	0	132.4	319.76	81.22
1280	0	141.5	319.12	77
1285	0	138	319.44	78.66
1290	0	153.8	318.58	71.43
1300	0	147.2	313.98	72.3
1310	0	134	306.92	74.96
1320	0	134	305.33	74.27
1330	82.11	86	295.22	90.7
1333	253.47	94	295.85	87.5
1334	0	96	295.55	86.5
1335	0	99	295.05	84.99
1336	0	105	293.7	81.8
1337	0	105	293.24	81.6

JUNCTION OUTPUT

ID	Demand (gpm)	Elevation (ft)	Grade (ft)	Pressure (psi)
1338	344.35	108	292.51	79.98
1340	0	75.5	293.28	94.41
1350	0	76.8	292.47	93.49
1360	61.71	78.2	291.69	92.55
1370	0	77.6	291.95	92.92
1380	0	77.2	290.19	92.33
1400	0	75.5	289.05	92.58
1410	800	74.2	286.13	91.87
1420	17.85	127	307.06	78.05
1430	164.73	145	304.64	69.2
1500	26.01	86	319.4	101.18
1502	0	90.5	320.31	99.62
1504	41.31	92	319.43	98.59
1506	11.22	89	319.76	100.04
1510	96.9	84.4	317.7	101.13
1520	0	88.3	319.4	100.18
1530	31.11	88.8	318.99	99.79
1540	89.25	88.8	318.83	99.72
1550	0	90.2	318.8	99.1
1560	0	91.8	318.67	98.35
1570	0	92.4	318.58	98.05
1580	0	92.4	318.52	98.02
1590	0	95.6	318.27	96.53
1595	68.34	97	318.1	95.85
1600	0	89.5	318.92	99.45
1610	0	89.3	318.47	99.34
1620	31.11	89.5	316.86	98.56
1630	0	90	314.9	97.5
1640	33.15	87.3	312.28	97.53
1641	120.87	89	311.15	96.3
1650	0	92	312.98	95.8
1660	62.22	96.6	312.29	93.5
1670	148.41	91.3	312.67	95.97
1680	30.09	93	312.58	95.19
1690	0	86.6	303.04	93.83
1691	0	86.6	303.04	93.83
1693	0	86.6	295.07	90.37
1700	0	85.8	295.07	90.72
1710	0	81.8	277.72	84.93
1712	0	81	277.53	85.19
1720	49.47	79.2	277.32	85.88
1730	68.34	83.8	273.55	82.26
1740	95.37	81.4	270.31	81.89
1750	31.62	80.4	270.22	82.29
2010	0	68.5	323.73	110.64
2020	0	66	323.54	111.64
2030	0	71	323.22	109.34
2040	0	71	323.22	109.34
2050	0	73.5	323.1	108.2
2060	0	72	322.93	108.78

JUNCTION OUTPUT

ID	Demand (gpm)	Elevation (ft)	Grade (ft)	Pressure (psi)
2065	61.71	69	322.72	109.99
2070	0	75	322.6	107.33
2080	0	74.5	322.6	107.55
2090	0	75	322.6	107.33
2100	0	75.6	322.35	106.97
2110	0	77	322.28	106.33
2120	0	77	322.26	106.32
2130	53.04	70.4	322.2	109.16
2140	95.88	66.4	322.17	110.88
2150	30.09	62.8	322.17	112.44
2160	0	77	322.17	106.28
2170	187.68	76.5	322.08	106.46
2180	47.94	77.2	322.08	106.15
2190	0	77.8	322.16	105.93
2200	9.69	73.5	322.05	107.75
2210	104.04	73.6	321.29	107.37
2220	94.35	73.4	321.22	107.43
2230	0	75	322.01	107.08
2240	0	81	321.98	104.47
2245	24.48	79	321.98	105.33
2250	0	70.5	315.09	106.03
2255	0	74	317.67	105.63
2256	34.68	74	317.67	105.63
2260	6.12	71.8	314.59	105.25
2270	23.97	72.4	314.13	104.79
2280	51	72.8	313.94	104.54
2290	18.87	70	314.07	105.8
2300	0	64.2	314.07	108.32
2310	19.89	68	312.17	105.85
2320	22.95	66.6	312.08	106.42
2330	0	67.8	311.91	105.82
2340	111.69	75	311.64	102.58
2350	0	67	311.91	106.17
2360	0	84.8	321.98	102.82
2370	532.95	88.5	318.97	99.91
2380	0	94	316.68	96.53
2390	0	98	314.64	93.91
2400	44.37	100.5	314.15	92.62
2410	0	104.5	313.53	90.62
2420	108.12	102.8	309.56	89.63
2430	0	109.6	313.2	88.26
2440	32.13	113.6	312.85	86.37
2442	0	112	312.93	87.1
2450	0	114.8	312.66	85.77
2460	0	118.3	312.28	84.09
2463	0	118	312.48	84.31
2464	0	115	312.48	85.61
2465	0	116	312.48	85.17
2468	0	116	312.48	85.17
2470	0	117.4	311.01	83.93

JUNCTION OUTPUT

ID	Demand (gpm)	Elevation (ft)	Grade (ft)	Pressure (psi)
2471	0	115	312.48	85.61
2473	0	119.6	312.48	83.61
2480	411.57	116.8	310.66	84.04
2487	0	94	316.68	96.53
2489	0	113.6	312.85	86.37
2500	0	96.2	314.15	94.48
3000	0	130	419.85	125.65
3001	0	130	321.55	83.04
3010	0	130	423.74	127.34
3012	58.14	138	420.1	122.29
3014	135.66	130	419.5	125.5
3016	0	137.6	419.5	122.2
3030	0	148.8	429.77	121.8
3040	0	156.8	435.33	120.74
3050	21.42	155	437.92	122.64
3060	0	153.2	440.74	124.65
3070	0	152.7	445.05	126.73
3080	31.62	155.8	450.86	127.91
3090	0	158.8	453.86	127.91
3100	112.2	165.2	458.22	127.02
3105	100.98	167	454.58	124.67
3110	0	208.6	466.62	111.85
3113	0	187	466.04	120.97
3120	0	202.6	467.09	114.65
3125	31.62	215	466.91	109.2
3130	25.5	229.8	467.33	102.97
3140	0	222.2	467.62	106.39
3150	1,500.00	268.8	468	86.36
3160	0	203.2	468.48	115
3170	0	192.2	469.4	120.17
3180	0	185.6	469.31	122.99
3190	0	192.2	468.25	119.67
3200	377.4	203	467.07	114.47
3210	90.09	184	468.48	123.32
3220	0	250	466.62	93.91
3230	0	259	466.52	89.96
3240	12.24	280	466.4	80.8
3250	28.05	245	465.39	95.54
3260	21.93	280	466.62	80.9
4000	0	83	322.21	103.7
4010	0	82.4	322.28	103.99
4020	53.55	81.8	322.25	104.23
4030	0	75.2	322.25	107.09
4040	0	75.2	322.25	107.09
4050	0	73.6	322.25	107.79
4060	0	72	322.25	108.48
4070	0	71	322.25	108.92
4080	0	70	322.25	109.35
4090	3.57	90.2	341.33	108.87
4100	0	99.5	357.83	111.98

JUNCTION OUTPUT

ID	Demand (gpm)	Elevation (ft)	Grade (ft)	Pressure (psi)
4120	0	102.8	358.85	111
4125	0	110	362.48	109.45
4130	0	114	365.74	109.13
4135	0	118	365.74	107.4
4140	0	120	365.74	106.53
4150	0	125	369.79	106.12
4160	24.99	119	374.19	110.63
4170	0	119	374.39	110.71
5150	55.8	185	427.22	105
5350	0	164	427.21	114.1
5360	48	170	427.14	111.47
5370	10	164	427.21	114.1
5410	3.8	175	427.22	109.34
5420	23.6	190	429.29	103.73
5430	0	210	430.48	95.58
5440	18.6	205	431.13	98.03
5470	7.4	240	436.94	85.38
5479	380	305	436.94	57.2
5483	0	250	436.96	81.05
6000	0	183	461.23	120.61
6002	43.86	185	461.14	119.71
6004	85.17	190	458.38	116.34
6008	3.06	255	451.43	85.15
6010	0	197	458.71	113.45
6020	164.22	204.2	457.68	109.89
6042	24.8	195	439.3	105.9
6043	0	199	439.32	104.18
6044	0	191	438.83	107.43
6045	3.06	198	438.83	104.4
6046	104.55	190	438.45	107.7
6047	37.2	200	439.22	103.7
6048	0	290	441.6	65.72
6049	97.92	296	442.18	63.37
6052	0	185	463.68	120.81
6054	163.2	283.19	444.37	69.87
6056	0	325.17	437.85	48.85
6066	0	100	302.92	87.97
6072	0	153.8	317.76	71.08
6110	0	100	376.6	119.91
7010	0	174	415.72	104.78
7020	10	183	413.69	100
7030	413	189	412.4	96.84
7040	40	192.4	411.9	95.15
7050	0	194	411.61	94.33
7060	644	197	403.23	89.4
7070	0	196	403.02	89.74
7080	41	188	399.63	91.74
8000	0	189	398.98	91.03
8010	0	186	397.15	91.53
8020	750.2	189.6	395.49	89.25

JUNCTION OUTPUT

ID	Demand (gpm)	Elevation (ft)	Grade (ft)	Pressure (psi)
8030	49.6	194	395.48	87.34
8040	153.8	170.2	398.01	98.76
8050	111.6	177.4	395.91	94.72
8060	0	167	398.01	100.14
8070	24.8	161	398	102.74
8080	0	188.6	398.31	90.91
8090	0	189	397.41	90.34
8100	310	186.6	390.62	88.44
8108	0	184	384.75	87.02
8110	0	184	385.28	87.25
8112	0	183	384.7	87.44
8120	0	181.4	383.62	87.66
8130	129	178.8	383.06	88.55
8140	1,200.00	185.8	381.14	84.68
8148	0	196	377.38	78.63
8150	248	198	376.11	77.21
9000	0	100	375.71	119.52
9010	0	150	378.15	98.9
9020	0	155	381.19	98.05
9030	190.23	145	380.74	102.19
9040	0	166	381.98	93.63
9048	263	170	384.18	92.85
9050	0	167	383.21	93.73
9060	33.4	176	383.18	89.81
9070	554.2	177	382.74	89.19
9080	0	188	380.5	83.45
9090	620	187	379.4	83.41
9092	0	187	379.4	83.41
9100	372	184	380.34	85.11
10000	0	192.2	469.4	120.17
10002	0	74	324	108.38
10004	0	130	321.55	83.04
10010	61.2	184	465.93	122.21
10090	71.4	184	466.04	122.27

PIPE OUTPUT

ID	From Node	To Node	Length (ft)	Diameter (in)	Flow (gpm)	Velocity (ft/s)	Headloss (ft)
1000	10002	1000	10	24	0	0	0
1010	1000	1010	36	24	3,926.43	2.78	0.05
1020	1010	1020	360	30	3,926.43	1.78	0.17
1030	1020	1030	5,624.00	30	2,896.36	1.31	1.49
1040	1030	1040	1,419.00	8	430.95	2.75	6.91
1050	1040	1050	929	6	57.12	0.65	0.44
1060	1040	1060	603	8	373.83	2.39	2.26
1070	1030	1070	2,247.00	30	2,465.41	1.12	0.44
1080	1080	1070	2,780.00	30	-2,465.41	1.12	0.55
1090	1080	1090	3,840.00	30	1,393.39	0.63	0.26
1092	1094	1090	1,064.19	30	-1,270.48	0.58	0.06
1094	1092	1094	658.23	30	-1,270.48	0.58	0.04
1100	1090	1100	1,461.00	8	122.91	0.78	0.7
1110	1100	1110	1,527.00	8	53.55	0.34	0.16
1120	1120	1092	1,941.88	30	-1,270.48	0.58	0.11
1130	1120	1130	1,041.00	6	276.42	3.14	9.05
1140	1130	1140	2,258.00	6	146.88	1.67	6.09
1150	1120	1150	315	30	994.06	0.45	0.01
1160	1150	1160	3,820.00	24	994.06	0.7	0.41
1170	1170	1160	352	20	-994.06	1.02	0.09
1180	1170	1180	378	24	994.06	0.7	0.04
1190	1180	1190	1,200.00	6	280.5	3.18	10.72
1200	1180	1200	537	24	713.56	0.51	0.03
1204	1204	1200	1,446.31	24	-713.56	0.51	0.08
1205	1210	1205	1,168.59	24	-711.01	0.5	0.07
1210	1205	1204	482.82	24	-713.56	0.51	0.03
1211	1220	1211	1,135.00	24	-708.46	0.5	0.22
1220	1210	1211	824	24	711.01	0.5	0.05
1231	1220	1231	1,356.00	8	488.07	3.12	8.31
1232	1231	1232	1,035.00	12	418.2	1.19	0.66
1233	1232	1233	744	8	368.73	2.35	2.71
1234	1233	1420	1,054.00	8	182.58	1.17	1.05
1235	1233	1234	599	6	53.04	0.6	0.25
1236	1233	1235	706	8	6.12	0.04	0
1240	1220	1240	1,701.00	24	145.93	0.1	0.02
1241	1250	1241	1,130.00	24	-132.67	0.09	0.01
1250	1240	1241	369	24	132.67	0.09	0
1260	1250	1260	1,300.00	6	142.8	1.62	3.33
1270	1250	1270	961	24	-10.13	0.01	0
1280	1270	1285	1,300.00	24	1,541.64	1.09	0.32
1285	1280	1285	1,335.00	24	-1,541.64	1.09	0.33
1290	1280	1290	2,203.00	24	1,541.64	1.09	0.54
1300	6072	1300	2,146.75	16	1,541.64	2.46	3.78
1310	1300	1310	4,016.00	16	1,541.64	2.46	7.07
1320	1310	1320	898	16	1,541.64	2.46	1.58
1330	1330	1333	878	16	-943.82	1.51	0.62
1333	6066	1333	4,018.00	16	1,541.64	2.46	7.07
1334	1333	1334	2,730.70	16	344.35	0.55	0.3
1335	1335	1334	1,116.30	12	-344.35	0.98	0.5
1336	1335	1336	3,025.00	12	344.35	0.98	1.35

PIPE OUTPUT

ID	From Node	To Node	Length (ft)	Diameter (in)	Flow (gpm)	Velocity (ft/s)	Headloss (ft)
1337	1336	1337	1,035.00	12	344.35	0.98	0.46
1338	1337	1338	673	10	344.35	1.41	0.73
1340	1330	1340	3,232.00	16	861.71	1.38	1.94
1350	1340	1350	1,349.00	16	861.71	1.38	0.81
1360	1350	1360	1,450.00	6	61.71	0.7	0.79
1370	1350	1370	1,004.00	16	800	1.28	0.53
1380	1370	1380	3,365.00	16	800	1.28	1.76
1400	1380	1400	2,170.00	16	800	1.28	1.13
1410	1400	1410	191	8	800	5.11	2.92
1430	1420	1430	2,940.00	8	164.73	1.05	2.42
1500	1502	1506	1,380.50	12	322.83	0.92	0.55
1501	1502	1504	476	4	41.31	1.05	0.89
1502	1080	1502	2,012.58	12	364.14	1.03	1
1506	1506	1500	992.09	12	311.61	0.88	0.37
1510	1500	1510	1,360.00	6	96.9	1.1	1.7
1520	1500	1520	954	6	0	0	0
1530	1500	1530	2,767.00	12	188.7	0.54	0.41
1540	1530	1540	1,564.00	12	157.59	0.45	0.16
1550	1540	1550	943	12	68.34	0.19	0.02
1560	1550	1560	838	8	68.34	0.44	0.14
1570	1560	1570	540	8	68.34	0.44	0.09
1580	1570	1580	370	8	68.34	0.44	0.06
1590	1580	1590	1,592.00	8	68.34	0.44	0.26
1595	1590	1595	1,003.00	8	68.34	0.44	0.16
1600	1080	1600	1,558.00	12	670.65	1.9	2.39
1610	1600	1610	297	12	670.65	1.9	0.45
1620	1610	1620	1,048.00	12	670.65	1.9	1.61
1630	1620	1630	1,394.00	12	639.54	1.81	1.96
1640	1630	1640	890	6	154.02	1.75	2.62
1650	1630	1650	2,282.00	12	485.52	1.38	1.92
1660	1650	1660	1,247.52	6	62.22	0.71	0.69
1667	1710	1712	529.26	6	49.47	0.56	0.19
1670	1650	1670	470	12	423.3	1.2	0.31
1680	1670	1680	620	6	30.09	0.34	0.09
1690	1670	1690	1,388.00	6	244.8	2.78	9.64
1691	1690	1691	10	6	0	0	0
1693	1691	1693	10	6	0	0	0
1695	1693	1700	1,148.00	6	0	0	0
1700	1690	1700	1,148.00	6	244.8	2.78	7.97
1710	1700	1710	2,499.00	6	244.8	2.78	17.35
1720	1712	1720	583.5	6	49.47	0.56	0.21
1730	1710	1730	912	6	195.33	2.22	4.17
1740	1730	1740	1,570.00	6	126.99	1.44	3.24
1750	1740	1750	570	6	31.62	0.36	0.09
2010	1020	2010	433	24	1,030.07	0.73	0.05
2020	2010	2020	1,667.00	24	1,030.07	0.73	0.19
2030	2020	2030	2,780.00	24	1,030.07	0.73	0.32
2040	2030	2040	180	6	0	0	0
2050	2050	2030	1,020.00	24	-1,030.07	0.73	0.12
2060	2060	2050	1,422.92	24	-1,030.07	0.73	0.16

PIPE OUTPUT

ID	From Node	To Node	Length (ft)	Diameter (in)	Flow (gpm)	Velocity (ft/s)	Headloss (ft)
2065	2060	2065	1,608.28	8	61.71	0.39	0.21
2070	2070	2060	3,260.01	24	-968.36	0.69	0.34
2080	2070	2080	1,060.00	6	0	0	0
2090	2090	2080	152	4	0	0	0
2100	2100	2070	2,409.00	24	-968.36	0.69	0.25
2110	2110	2100	640	24	-968.36	0.69	0.07
2120	2110	2120	190	24	968.36	0.69	0.02
2130	2120	2130	1,801.00	16	179.01	0.29	0.06
2140	2130	2140	1,680.00	16	125.97	0.2	0.03
2150	2140	2150	1,480.00	16	30.09	0.05	0
2160	2160	2120	1,378.00	24	-789.35	0.56	0.1
2170	2160	2170	384	12	235.62	0.67	0.08
2180	2170	2180	340	12	47.94	0.14	0
2190	2160	2190	122	24	553.73	0.39	0
2200	2190	2200	2,915.00	24	553.73	0.39	0.11
2210	2200	2210	660	8	198.39	1.27	0.77
2220	2210	2220	245	8	94.35	0.6	0.07
2230	2200	2230	3,140.00	24	345.65	0.25	0.05
2240	2230	2240	1,496.00	24	345.65	0.25	0.02
2245	2240	2245	1,500.00	24	56.48	0.04	0
2250	2250	2256	1,400.00	8	-254.49	1.62	2.57
2255	2256	2255	900	8	0	0	0
2256	2240	2256	1,854.00	8	289.17	1.85	4.32
2260	2250	2260	565	6	81.09	0.92	0.51
2270	2260	2270	585	6	74.97	0.85	0.45
2280	2270	2280	495	6	51	0.58	0.19
2290	2250	2290	1,135.00	8	173.4	1.11	1.03
2300	2300	2290	3,282.00	6	0	0	0
2310	2290	2310	2,594.00	8	154.53	0.99	1.89
2320	2310	2320	1,066.00	6	22.95	0.26	0.09
2330	2310	2330	668	8	111.69	0.71	0.27
2340	2330	2340	675	8	111.69	0.71	0.27
2350	2330	2350	378	4	0	0	0
2360	2245	2360	1,802.00	24	32	0.02	0
2370	2370	2360	3,039.00	16	-1,129.14	1.8	3.01
2380	2370	2380	2,625.00	16	596.19	0.95	2.29
2390	2390	2487	2,344.00	16	-596.19	0.95	2.04
2400	2390	2400	563	16	596.19	0.95	0.49
2410	2400	2410	2,332.00	16	551.82	0.88	0.61
2420	2410	2420	2,594.00	6	108.12	1.23	3.97
2430	2410	2430	1,910.42	16	443.7	0.71	0.34
2440	2430	2442	1,534.30	16	443.7	0.71	0.27
2442	2442	2440	469.26	16	443.7	0.71	0.08
2450	2489	2450	1,218.00	16	411.57	0.66	0.19
2460	2450	2465	1,200.00	16	411.57	0.66	0.18
2461	2465	2460	1,260.00	16	411.57	0.66	0.19
2462	2465	2463	1,479.00	12	0	0	0
2463	2463	2464	138	8	0	0	0
2464	2463	2468	996	12	0	0	0
2467	2468	2471	46	8	0	0	0

PIPE OUTPUT

ID	From Node	To Node	Length (ft)	Diameter (in)	Flow (gpm)	Velocity (ft/s)	Headloss (ft)
2468	2468	2473	852	12	0	0	0
2470	2460	2470	285	8	411.57	2.63	1.27
2480	2480	2470	2,288.00	16	-411.57	0.66	0.35
2488	2380	2487	1	16	596.19	0.95	0
2489	2440	2489	10	16	411.57	0.66	0
2490	2360	4000	1,780.00	24	-1,097.14	0.78	0.23
2500	2400	2500	1,600.00	12	0	0	0
3000	1270	3001	1,260.00	16	-1,551.77	2.48	1.79
3012	3010	3012	808.92	6	193.8	2.2	3.65
3014	3012	3014	1,046.12	8	135.66	0.87	0.6
3016	3014	3016	1,237.32	4	0	0	0
3020	3010	3000	140	9.1	1,551.76	7.65	3.89
3021	10004	3001	1	16	1,551.77	2.48	0
3060	3030	3010	2,721.75	16	1,745.56	2.79	6.03
3070	3040	3030	2,508.44	16	1,745.56	2.79	5.56
3080	3040	3050	1,170.23	16	-1,745.56	2.79	2.59
3090	3060	3050	1,246.42	16	1,766.98	2.82	2.82
3100	3070	3060	1,903.00	16	1,766.98	2.82	4.31
3105	3105	3100	2,700.00	6	-100.98	1.15	3.64
3110	3080	3070	2,565.00	16	1,766.98	2.82	5.81
3111	3210	3113	1,190.00	30	8,743.92	3.97	2.43
3113	3113	10090	1,090.66	24	71.4	0.05	0
3120	3090	3080	1,280.00	16	1,798.60	2.87	3
3125	3120	3125	1,190.00	30	2,105.62	0.96	0.17
3130	3090	3100	1,863.00	16	-1,798.60	2.87	4.36
3140	3110	3100	2,918.00	16	2,011.78	3.21	8.4
3150	3125	3110	2,015.00	30	2,074.00	0.94	0.29
3160	3130	3120	1,680.00	30	2,105.62	0.96	0.25
3170	3130	3140	1,910.00	30	-2,131.12	0.97	0.29
3180	3150	3140	2,565.00	30	2,131.12	0.97	0.38
3190	3150	3160	401	24	-3,631.12	2.58	0.48
3200	3160	3170	2,281.00	30	-3,631.12	1.65	0.92
3210	10000	3170	100	30	0	0	0
3220	3170	3180	400	48	9,211.42	1.63	0.09
3230	3180	3190	2,001.00	12	377.4	1.07	1.06
3240	3190	3200	2,241.00	12	377.4	1.07	1.19
3250	3210	3180	971	36	-8,834.02	2.78	0.83
3260	3110	3220	1,377.00	18	62.22	0.08	0
3270	3220	3230	400	6	40.29	0.46	0.1
3280	3230	3240	618	4	12.24	0.31	0.12
3290	3230	3250	1,251.00	4	28.05	0.72	1.14
3300	3220	3260	1,500.00	18	21.93	0.03	0
4000	4000	4010	515	24	-1,097.14	0.78	0.07
4010	4010	4020	331	8	53.55	0.34	0.03
4020	4020	4030	1,420.00	8	0	0	0
4030	4030	4040	2,375.00	8	0	0	0
4040	4040	4050	1,412.00	8	0	0	0
4050	4050	4060	800	8	0	0	0
4060	4060	4070	1,039.00	8	0	0	0
4070	4070	4080	682	6	0	0	0

PIPE OUTPUT

ID	From Node	To Node	Length (ft)	Diameter (in)	Flow (gpm)	Velocity (ft/s)	Headloss (ft)
4080	4010	4090	4,581.00	12	-1,150.69	3.26	19.05
4090	4090	4100	3,943.00	12	-1,154.26	3.27	16.49
4120	4100	4120	1,772.00	18	-1,154.26	1.46	1.03
4125	4125	4130	1,901.25	18	-1,154.26	1.46	3.26
4130	4120	4125	2,109.72	18	-1,154.26	1.46	3.62
4135	4130	4135	1,375.71	10	0	0	0
4140	4135	4140	1,519.75	10	0	0	0
4150	4130	4150	2,359.00	18	-1,154.26	1.46	4.05
4160	4150	4160	2,563.00	18	-1,154.26	1.46	4.4
4162	4160	4170	329.44	18	-1,179.25	1.49	0.2
5350	5350	5360	984.38	8	48	0.31	0.07
5360	5350	5370	854.99	16	-48	0.08	0
5400	5370	5410	1,870.18	16	-58	0.09	0.01
5410	5410	5150	1,222.11	16	-61.8	0.1	0
5420	5150	5420	1,702.92	30	-7,454.68	3.38	2.07
5430	5420	5430	979.66	30	-7,478.28	3.39	1.19
5440	5430	5440	528.76	30	-7,478.28	3.39	0.64
6000	3113	6052	1,190.00	30	8,611.32	3.91	2.36
6002	6000	6002	1,326.68	8	43.86	0.28	0.09
6004	6010	6004	1,357.35	8	85.17	0.54	0.33
6010	6000	6010	1,612.50	30	8,567.46	3.89	2.53
6020	6010	6020	663.35	30	8,482.29	3.85	1.02
6043	6042	6043	699.06	8	-24.8	0.16	0.02
6044	6043	6044	1,311.47	8	107.61	0.69	0.49
6045	6044	6045	656.3	8	3.06	0.02	0
6046	6044	6046	1,053.57	8	104.55	0.67	0.37
6047	6043	6047	1,811.57	8	37.2	0.24	0.09
6048	6043	6048	2,626.48	8	-169.61	1.08	2.28
6049	6048	6049	676.64	8	-169.61	1.08	0.59
6052	6052	6000	1,544.00	30	8,611.32	3.91	2.44
6056	6020	6008	4,210.70	30	8,318.07	3.78	6.25
6058	6054	6008	4,755.05	30	-8,315.01	3.77	7.06
6060	6054	6049	1,530.31	30	8,151.81	3.7	2.19
6062	6056	6049	2,567.63	30	-7,884.28	3.58	4.33
6064	5483	6056	664.66	30	-7,884.28	3.58	0.89
6076	1290	6072	464.88	16	1,541.64	2.46	0.82
6114	9000	6110	1,463.00	18	-1,179.25	1.49	0.88
6118	1320	6066	1,372.75	16	1,541.64	2.46	2.42
6196	5440	5483	4,758.72	30	-7,496.88	3.4	5.83
6202	5479	5470	369.31	8	7.4	0.05	0
6204	5483	5479	2,334.44	30	387.4	0.18	0.01
7010	5150	7010	9,770.00	30	7,337.08	3.33	11.5
7020	7020	7010	1,719.00	30	-7,337.08	3.33	2.02
7030	7020	7030	1,100.00	30	7,327.08	3.33	1.29
7040	7030	7040	470	30	6,914.08	3.14	0.5
7050	7040	7050	284	30	6,874.08	3.12	0.3
7060	7050	7060	8,029.00	30	6,874.08	3.12	8.38
7070	7070	7060	242	30	-6,230.08	2.83	0.21
7080	7070	7080	3,890.00	30	6,230.08	2.83	3.38
8000	7080	8000	255	24	6,189.08	4.39	0.65

PIPE OUTPUT

ID	From Node	To Node	Length (ft)	Diameter (in)	Flow (gpm)	Velocity (ft/s)	Headloss (ft)
8010	8000	8010	1,083.00	12	799.8	2.27	1.83
8020	8010	8020	980	12	799.8	2.27	1.66
8030	8020	8030	613	10	49.6	0.2	0.01
8040	8000	8040	3,746.00	12	290.2	0.82	0.97
8050	8040	8050	1,296.00	6	111.6	1.27	2.1
8060	8040	8060	809	12	24.8	0.07	0
8070	8060	8070	1,528.00	12	24.8	0.07	0.01
8080	8000	8080	375	24	5,099.08	3.62	0.67
8090	8080	8090	510	24	5,099.08	3.62	0.91
8100	8100	8090	3,814.00	24	-5,099.08	3.62	6.79
8108	8110	8108	476.42	20	2,440.00	2.49	0.53
8110	8110	8100	3,368.00	24	-4,789.08	3.4	5.34
8112	8110	8112	457.54	12	683.2	1.94	0.58
8120	8112	8120	852.88	12	683.2	1.94	1.08
8130	8120	8130	1,337.00	8	129	0.82	0.56
8140	8108	8140	3,261.55	20	2,440.00	2.49	3.61
8148	8148	8150	724.29	8	248	1.58	1.27
8150	8140	8148	2,694.34	8	248	1.58	3.76
9000	4170	9000	2,189.92	18	-1,179.25	1.49	1.32
9010	6110	9010	2,566.44	18	-1,179.25	1.49	1.55
9020	9010	9020	5,037.00	18	-1,179.25	1.49	3.04
9030	9020	9030	3,032.00	12	190.23	0.54	0.45
9040	9020	9040	1,245.00	18	-1,369.48	1.73	0.79
9048	9048	8110	1,196.79	18	-1,665.88	2.1	1.09
9050	9040	9050	1,926.00	18	-1,369.48	1.73	1.22
9060	9050	9060	1,981.00	10	33.4	0.14	0.02
9070	9050	9048	1,473.12	18	-1,402.88	1.77	0.98
9080	8120	9070	1,025.00	12	554.2	1.57	0.88
9090	8140	9080	1,814.00	18	992	1.25	0.63
9092	9090	9092	1,022.63	8	0	0	0
9100	9080	9090	1,042.00	12	620	1.76	1.1
9110	9080	9100	2,912.00	18	372	0.47	0.17
9140	1640	1641	600	6	120.87	1.37	1.13
10010	3113	10010	901.83	8	61.2	0.39	0.12
1000000	10	10002	1	99	3,926.43	0.16	0
1000002	110	10000	1	99	12,842.54	0.54	0

August 21, 2000

Mr. Paul Shoenberger
Director of Engineering and Operations
Central Basin Municipal Water District
17140 South Avalon Boulevard, Suite 210
Carson, CA 90746-1296

Attention: Mr. David Ruhl, P.E. Project Manager

Reference: Final Submittal - Contract No. W905
Central Basin Municipal Water District Water Recycling Master Plan

Dear Mr. Shoenberger:

In accordance with Task 10 of the Scope of Services, ASL Consulting Engineers, in association with Kennedy/Jenks Consultants, is pleased to submit ten (10) copies of the Final Submittal for the subject project.

This document culminates the efforts of our consultant team with the support of District staff and local purveyors. In addition, our efforts were added by the participation and assistance of the Technical Advisory Group. Through this cooperation, we received a significant amount of data related to customer demands in the study area which enabled the Project Team to identify potential recycled water customers.

This report summarizes our assessment and evaluation of the data provided, identifies new facilities to serve potential recycled water customers, and provides an economic evaluation of the relative cost effectiveness of these facilities. The report includes an implementation plan, which prioritizes groups of projects into recommended phases and stops for implementation of each phases. The findings of the report and recommendations are summarized in the Executive Summary at the beginning of the report.

Our effort also included the creation of a customer database, development of a hydraulic model of the existing and proposed facilities, and the creation of a GIS database. The electronic version of the above items will be submitted to the District under separate cover.

Central Basin Municipal Water District

August 21, 2000

Page 2

We are available to address any questions you may have, provide additional information or present the report to your staff, member agencies or Board of Directors. Please call if you have any questions or need any further information.

Very truly yours,

Michael G. Hoover
Director of Water Resources

JR:wlp

J:\2528\0001\05\r-001jr\letter.doc

Enclosure (10)

CENTRAL BASIN MUNICIPAL WATER DISTRICT RECYCLED WATER MASTER PLAN

TABLE OF CONTENTS

Executive Summary

- Section I – Technical Memorandum No. 1 – Data Assessment
- Section II – Technical Memorandum No. 2 – Database Development
- Section III – Technical Memorandum No. 3 – Potential Interconnections
- Section IV – Technical Memorandum No. 4 – Conceptual Pipeline Routing
- Section V – Technical Memorandum No. 5 – Hydraulic Modeling
- Section VI – Technical Memorandum No. 6 – Economic Analysis
- Section VII – Technical Memorandum No. 7 – Phasing Plan

TABLES

Table ES-1	Summary of Database Information
Table ES-2	Present Worth of Revenues and Expenses
Table 1-1	Summary of Recycled Water Use Factors
Table 4-1	Pico Loop Alternatives
Table 6-1	CBMWD Declining Block Rate (Wholesale)
Table 6-2	CBMWD Projected Annual Operating/Revenue Costs
Table 6-3	Pipeline Sizes and Linear Foot Costs
Table 6-4	Financial Summary

EXHIBITS

Exhibit I-A	Potential Customer Demand
Exhibit I-B	Existing Database (Users Equal and Above 50 AF)
Exhibit I-C	Harris Information
Exhibit II-A	Access Database Output – Customer Sample
Exhibit II-B	Access Database Output – Sorted By City
Exhibit II-C	Access Database Output – Sorted By Purveyor
Exhibit V-A	Potential Customer Demand with H2O Model Identification Number
Exhibit V-B	Hydraulic Runs Phases 1-4 Day and Night Runs

Table of Contents
(Contd.)

Exhibit VI-A	Preliminary Construction Costs
Exhibit VI-A	Financial Analysis Summary

FIGURES

Figure 1-1	Existing Recycled Water System and Customers
Figure 3-1	Potential Interconnections
Figure 7-1	Phase I Pipelines
Figure 7-2	Phase II Pipelines
Figure 7-3	Phase III Pipelines
Figure 7-4	Phase IV Pipelines
Figure 7-5	Ultimate Pipelines

Exhibit "A"

Exhibit “B”

Exhibit "C"

Figure 1-1

Figure 3-1

Figure 5-1

Figure 7-1

Figure 7-2

Figure 7-3

Figure 7-4

Figure 7-1 – 7-5

EXECUTIVE SUMMARY

CENTRAL BASIN MUNICIPAL WATER DISTRICT RECYCLED WATER MASTER PLAN

INTRODUCTION

The Water Recycling Program for Central Basin Municipal Water District (CBMWD) was initiated in 1989 with a study of the southern portion of the District referred to as the E. Thornton Ibbetson Century Project. This study was completed in 1990. The northern portion of the District was studied in a report entitled, “Esteban E. Torres Rio Hondo Recycled Water Project.” It was completed in 1991. When connected, the two studies resulted in projects that form the current Central Basin Recycled Water System.

Today the Central Basin Recycled Water System consists of approximately 50 miles of pipelines serving a number of cities and other retail providers; cities include Downey, Paramount, Norwalk, Lynwood, South Gate, Whittier, Lakewood, Bellflower, Huntington Park, Cudahay, Bell Gardens, and Santa Fe Springs. The current system delivers over 4,000 acre-feet per year (AFY) of recycled water to over 150 customers consisting of irrigation and industrial uses. The recycled water system obtains its recycled water from two Los Angeles County Sanitation District Water Reclamation Plants, the San Jose Creek Water Reclamation Plant which supplies the Rio Hondo Pumping Station and the Los Coyotes Reclamation Plant which supplies the Cerritos Pumping Station.

Currently, the CBMWD is designing an expansion project (the Pico Loop) which will connect the central portion of the District to the Rio Hondo Pumping Station through Pico Rivera to the existing pipeline bordering Bell Gardens and Downey. In addition, District staff and consultants have prepared a number of conceptual plans for areas including service to Montebello, Commerce, East Los Angeles, Vernon, Lynwood, and Whittier.

The purpose of this CBMWD Water Recycling Program Master Plan is to identify and prioritize areas in the service area where recycled water can replace potable water. This would include areas where there are existing recycled water pipelines as well as where new pipelines and laterals need to be constructed. Accordingly, this Executive Summary highlights the findings of the study and presents conclusions and recommendations for expanding the CBMWD Water Recycling Program in phases based upon estimated benefits to customers which are economically responsible.

EXECUTIVE SUMMARY

METHODOLOGY AND APPROACH

The requirements of the study include analysis of existing operations and possible modification or system expansion with consideration of 41 retail water providers in a service area covering 227 square miles and including 24 cities. With time and budget constraints, the approach included forming a partnership with the CBMWD, cities, and water purveyors. This approach is focused on the entire Recycled Water Program including implementation aspects such as community and customer involvement, regulatory approvals, impacts on existing facilities and neighboring agencies, funding, and overall economic viability for the CBMWD.

This partnering relationship of the “stakeholders” allowed maximum understanding and assistance in developing the plan. Following an initial kick-off meeting and strategy session with CBMWD staff, there was a CBMWD partnering meeting to solicit cooperation and input to the plan from the stakeholders. In general, the cooperation has been successful with over 1,500 potential new customers identified, totaling over 28,000 AFY.

For continuity, there were periodic meetings with CBMWD staff and follow-up meetings with the partnership group. To present the findings in an orderly manner, a number of technical memoranda (TM) were developed, which are in the attached sections. These cover specific details as follows:

- Data Assessment – TM No. 1
- Database Development – TM No. 2
- Potential Interconnections – TM No. 3
- Conceptual Pipeline Routing – TM No. 4
- Hydraulic Modeling – TM No. 5
- Cost Estimates – TM No. 6
- Phasing Plan for Implementation – TM No. 7

DATA ASSESSMENT (CUSTOMER DEMANDS) AND DATABASE

Preliminary information from the CBMWD and the retail water purveyors was gathered and analyzed to develop realistic implementation goals for expanding the system. Data assessment is contained in Technical Memorandum No. 1 and includes the information for approximately 1,500 potential customers which have been categorized and quantified by type, including irrigation or industrial and estimated demand. Contacts by telephone and field visits of major customers was performed in evaluating the data and projecting the recycled water use.

From this information, a database was developed in the CBMWD’s GIS format. By using the database including customer’s names, location, contact, type of use, and projected reuse made it possible to integrate the customers into a GIS base map. The data also allows a number of different sorts of information including sorting by potential phases, water purveyors, etc.

EXECUTIVE SUMMARY

Technical Memorandum No. 2 is a summary of the database and an electronic media of the database has been given to CBMWD.

PIPELINE ROUTING, INTERCONNECTIONS AND SIZING

With the data assessment and database files, location and classification of customers were plotted onto the existing system (Figure 1-1). Using customer groups as plotted by color and increasing size of spheres (representing estimated demands), logical extensions of existing pipelines and new pipeline routings were established. In the case of CBMWD, the initial concept level was a composite of the existing pipelines, information from the previous master plans, and sub-studies performed by CBMWD staff. Modifications were made as customer demands were developed such as the Montebello Golf Course, an extension to La Mirada, and additional customers along the Pico Loop. Further modifications, particularly to pipeline sizing, were examined regarding service to neighboring agencies including Upper San Gabriel Municipal Water District, Long Beach Water Department, and the West Basin Municipal Water District.

To develop implementation phases, consideration of the necessary capital improvements, ease of construction, and yield in terms of reclaimed water and economic benefits were analyzed. In brief, the following comprises the phases shown in Figure 7-5:

- Phase I including Sub-Phases A to L – Customers along the existing pipelines with relatively minor pipeline extensions and laterals
- Phase II including Sub-Phases A and B – The Pico Loop currently under design with possible modifications for significant increased customers
- Phase III including Montebello
- Phase IV including Sub-Phases A, B, C, and D – Whittier, Lynwood, Commerce, and Vernon

In conjunction with expansion within CBMWD, possible service to adjacent agencies appears positive, particularly to Upper San Gabriel Valley Municipal Water District, USGVMWD and Long Beach. Table ES-1 is a summary of information from the database with potential phases and interconnections. The basis of this table is developed and detailed in the technical memoranda.

EXECUTIVE SUMMARY

EXECUTIVE SUMMARY

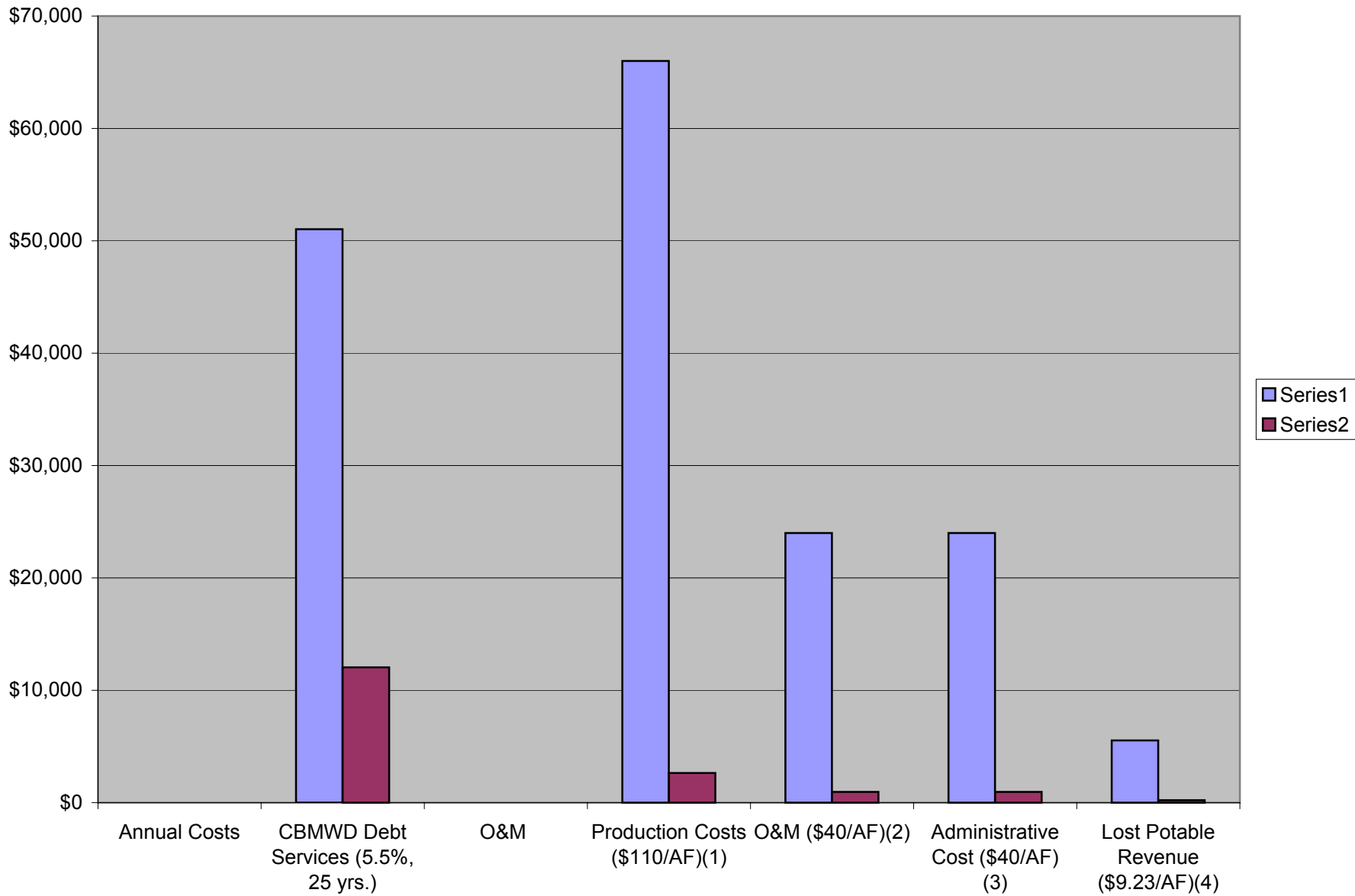
HYDRAULIC ANALYSIS/STORAGE NEEDS

Considering the supply and operational storage demands of the expanded system, the hydraulic model was used to verify sizing and pressure constraints throughout the system. With two separate sources of supply and elevation differences throughout the CBMWD, the southern area around Cerritos Pump Station will be on a separate pressure zone as compared to the rest of the District supplied by the Rio Hondo Pumping Station. As the Rio Hondo Pumping Station is the major source of water for the system, a 4 million gallon storage reservoir is necessary due to diurnal variations in the source of supply from the Los Angeles County Sanitation District pipeline. This new reservoir needs to be constructed in the Phase 1 as the Santa Fe Springs Reservoir and Pump Station lease will be terminated as these facilities are needed by the City of Santa Fe Springs.

The new Rio Hondo Reservoir will provide the reliability necessary to furnish water to the existing system and Phase 1 additions during periods of peak flow through the existing pressure regulating station in Santa Fe Springs and to provide reliable water supply through the rest of the system including the Phase 2 Pico Loop. With the completion of Phase 2, a pressure regulating station at the connection of pipelines in the City of Paramount needs to be constructed to isolate the pressure zones. Future reservoirs are also shown on Figure 7-5 in Montebello (possibly a lease) and in Downey or South Gate near the golf course and park.

ECONOMIC ANALYSIS

Working with CBMWD staff, the economic analysis format has been developed including values for annual cost including production costs, funding of capital costs with assumed Bureau of Reclamation participation and non-rate revenue from the Metropolitan Water District of Southern California (MWD) local resources program. Considerable detail and analysis is contained in Technical Memorandum No. 6 detailing the basis of cost estimates and the economic analyses. The results represent the relative cost effectiveness of each phase based on an evaluation of the present worth of revenues and expenses (revenue/expense ratio). The following table (Table ES-2) summarizes these costs by phases and interconnections to different agencies. Included in this table is a capital cost of the project per AFY and revenue/expense ratio.



**Table ES-1
Summary of Database Information**

Phasing Plan	Potential Customer Demand (AFY) ⁽¹⁾	Estimated Capital Cost	Revenue/Expense Ratio (4)
PHASE I ⁽²⁾	8294 ⁽⁵⁾	\$13,159,606	1.85
PHASE II	768	\$12,248,288	0.67
PHASE III ⁽³⁾	2,200	\$13,700,763	1.08
PHASE IV	9,441	\$27,792,013	1.51
SUBTOTAL	20,703		
INTERCONNECTION			
USGVMWD	1,750	\$1,506,250	2.11
LBWD	400	\$926,250	1.64
WBMWD	4,000	\$8,062,500	1.72
TOTAL	26,853		

- (1) The above conservative calculations have a total demand for Phases I through IV at 20,703 AFY and for the interconnections at 6,150 AFY.
- (2) Includes construction of the Rio Hondo Reservoir
- (3) Includes an annual lease of \$72,000.
- (4) Based on present worth evaluation.
- (5) Only 2,593 AFY of potential customer demand could be connected with no facility expansion (i.e. Pico Loop which is Phase IIa)

Central Basin Municipal Water District
Financial Analysis Summary
Exhibit B

	Phase Ia	Phase Ib
Total Project Costs		
Total Capital Cost ⁽⁶⁾	\$912,750	\$215,385
CBMWD Capital Costs (75% of Total Capital Costs)	\$684,563	\$161,539
USBR Capital Cost Rebate (25% of Total Capital Costs)	\$228,188	\$53,846
Annual Costs		
CBMWD Debt Services (5.5%, 25 yrs.)	\$51,034	\$12,043
O&M		
Production Costs (\$110/AF) ⁽¹⁾	\$66,000	\$2,640
O&M (\$40/AF) ⁽²⁾	\$24,000	\$960
Administrative Cost (\$40/AF) ⁽³⁾	\$24,000	\$960
Lost Potable Revenue (\$9.23/AF) ⁽⁴⁾	\$5,538	\$222
Subtotal	\$170,572	\$16,824
Non-Rate Revenue		
MWD Local Projects Program (\$250/AF)	\$150,000	\$6,000
Subtotal	\$150,000	\$6,000
Operating (surplus)/Deficit	\$20,572	\$10,824
Net Cost of Recycled Water (\$/AF) ⁽⁵⁾	\$34	\$451

(1) Production costs are for the purchase of recycled water from CSDLAC, power and chlorine

(2) Operation and Maintenance costs include the operation of the distribution system and contract operations

(3) Administrative costs were based on 1998-99 actual CBMWD costs and divided by total build out demand of 15,000 AFY

(4) The economic evaluation for the potable revenue is the RTS present worth amortized over 25 years at a historical CPI of 6%, which equals \$9.23/AF

(5) "Net Cost" to be recovered by Rates with sales at total potential demand for each phase

(6) Includes construction costs of Rio Hondo Reservoir

Central Basin Municipal Water District
Financial Analysis Summary
Exhibit B

	Phase Id	Phase Ie	Phase If
Total Project Costs			
Total Capital Cost ⁽⁶⁾	\$204,694	\$723,326	\$334,191
CBMWD Capital Costs (75% of Total Capital Costs)	\$153,520	\$542,495	\$250,643
USBR Capital Cost Rebate (25% of Total Capital Costs)	\$51,173	\$180,832	\$83,548
Annual Costs			
CBMWD Debt Services (5.5%, 25 yrs.)	\$11,445	\$40,443	\$18,685
O&M			
Production Costs (\$110/AF) ⁽¹⁾	\$1,650	\$56,430	\$2,090
O&M (\$40/AF) ⁽²⁾	\$600	\$20,520	\$760
Administrative Cost (\$40/AF) ⁽³⁾	\$600	\$20,520	\$760
Lost Potable Revenue (\$9.23/AF) ⁽⁴⁾	\$138	\$4,735	\$175
Subtotal	\$14,433	\$142,648	\$22,471
Non-Rate Revenue			
MWD Local Projects Program (\$250/AF)	\$3,750	\$128,250	\$4,750
Subtotal	\$3,750	\$128,250	\$4,750
Operating (surplus)/Deficit	\$10,683	\$14,398	\$17,721
Revenue/Expense Ratio	\$712	\$28	\$933

(1) Production costs are for the purchase of recycled water from CSDLAC, power and chlorine

(2) Operation and Maintenance costs include the operation of the distribution system and contract operations

(3) Administrative costs were based on 1998-99 actual CBMWD costs and divided by total build out demand of 15,000 AFY

(4) The economic evaluation for the potable revenue is the RTS present worth amortized over 25 years at a historical CPI of 6%, which equals \$9.23/AF

(5) "Net Cost" to be recovered by Rates with sales at total potential demand for each phase

(6) Includes construction costs of Rio Hondo Reservoir

Central Basin Municipal Water District
Financial Analysis Summary
Exhibit B

Total Project Costs	Phase Ig	Phase Ih	Phase Ii
Total Capital Cost ⁽⁶⁾	\$234,315	\$176,879	\$478,624
CBMWD Capital Costs (75% of Total Capital Costs)	\$175,736	\$132,659	\$358,968
USBR Capital Cost Rebate (25% of Total Capital Costs)	\$58,579	\$44,220	\$119,656
Annual Costs			
CBMWD Debt Services (5.5%, 25 yrs.)	\$13,101	\$9,890	\$26,761
O&M			
Production Costs (\$110/AF) ⁽¹⁾	\$5,060	\$4,840	\$2,970
O&M (\$40/AF) ⁽²⁾	\$1,840	\$1,760	\$1,080
Administrative Cost (\$40/AF) ⁽³⁾	\$1,840	\$1,760	\$1,080
Lost Potable Revenue (\$9.23/AF) ⁽⁴⁾	\$425	\$406	\$249
Subtotal	\$22,266	\$18,656	\$32,140
Non-Rate Revenue			
MWD Local Projects Program (\$250/AF)	\$11,500	\$11,000	\$6,750
Subtotal	\$11,500	\$11,000	\$6,750
Operating (surplus)/Deficit	\$10,766	\$7,656	\$25,390
Net Cost of Recycled Water (\$/AF) ⁽⁵⁾	\$234	\$174	\$940

(1) Production costs are for the purchase of recycled water from CSDLAC, power and chlorine

(2) Operation and Maintenance costs include the operation of the distribution system and contract operations

(3) Administrative costs were based on 1998-99 actual CBMWD costs and divided by total build out demand of 15,000 AFY

(4) The economic evaluation for the potable revenue is the RTS present worth amortized over 25 years at a historical CPI of 6%, which equals \$9.23/AF

(5) "Net Cost" to be recovered by Rates with sales at total potential demand for each phase

(6) Includes construction costs of Rio Hondo Reservoir

Central Basin Municipal Water District
Financial Analysis Summary
Exhibit B

Total Project Costs	Phase Ij	Phase Ik	Phase II
Total Capital Cost ⁽⁶⁾	\$345,295	\$213,626	\$1,282,506
CBMWD Capital Costs (75% of Total Capital Costs)	\$258,971	\$160,220	\$961,880
USBR Capital Cost Rebate (25% of Total Capital Costs)	\$86,324	\$53,407	\$320,627
Annual Costs			
CBMWD Debt Services (5.5%, 25 yrs.)	\$19,306	\$11,944	\$71,708
O&M			
Production Costs (\$110/AF) ⁽¹⁾	\$5,280	\$11,330	\$26,950
O&M (\$40/AF) ⁽²⁾	\$1,920	\$4,120	\$9,800
Administrative Cost (\$40/AF) ⁽³⁾	\$1,920	\$4,120	\$9,800
Lost Potable Revenue (\$9.23/AF) ⁽⁴⁾	\$443	\$951	\$2,261
Subtotal	\$28,869	\$32,465	\$120,519
Non-Rate Revenue			
MWD Local Projects Program (\$250/AF)	\$12,000	\$25,750	\$61,250
Subtotal	\$12,000	\$25,750	\$61,250
Operating (surplus)/Deficit	\$16,869	\$6,715	\$59,269
Net Cost of Recycled Water (\$/AF)⁽⁵⁾	\$351	\$65	\$242

(1) Production costs are for the purchase of recycled water from CSDLAC, power and chlorine

(2) Operation and Maintenance costs include the operation of the distribution system and contract operations

(3) Administrative costs were based on 1998-99 actual CBMWD costs and divided by total build out demand of 15,000 AFY

(4) The economic evaluation for the potable revenue is the RTS present worth amortized over 25 years at a historical CPI of 6%, which equals \$9.23/AF

(5) "Net Cost" to be recovered by Rates with sales at total potential demand for each phase

(6) Includes construction costs of Rio Hondo Reservoir

Central Basin Municipal Water District
Financial Analysis Summary
Exhibit B

Total Project Costs	Phase Im	Phase In	Phase Io
Total Capital Cost ⁽⁶⁾	\$560,625	\$112,500	\$626,038
CBMWD Capital Costs (75% of Total Capital Costs)	\$420,469	\$84,375	\$469,528
USBR Capital Cost Rebate (25% of Total Capital Costs)	\$140,156	\$28,125	\$156,509
Annual Costs			
CBMWD Debt Services (5.5%, 25 yrs.)	\$31,346	\$6,290	\$35,003
O&M			
Production Costs (\$110/AF) ⁽¹⁾	\$1,430	\$1,650	\$770
O&M (\$40/AF) ⁽²⁾	\$520	\$600	\$280
Administrative Cost (\$40/AF) ⁽³⁾	\$520	\$600	\$280
Lost Potable Revenue (\$9.23/AF) ⁽⁴⁾	\$120	\$138	\$65
Subtotal	\$33,936	\$9,279	\$36,398
Non-Rate Revenue			
MWD Local Projects Program (\$250/AF)	\$3,250	\$3,750	\$1,750
Subtotal	\$3,250	\$3,750	\$1,750
Operating (surplus)/Deficit	\$30,686	\$5,529	\$34,648
Net Cost of Recycled Water (\$/AF) ⁽⁵⁾	\$2,360	\$369	\$4,950

(1) Production costs are for the purchase of recycled water from CSDLAC, power and chlorine

(2) Operation and Maintenance costs include the operation of the distribution system and contract operations

(3) Administrative costs were based on 1998-99 actual CBMWD costs and divided by total build out demand of 15,000 AFY

(4) The economic evaluation for the potable revenue is the RTS present worth amortized over 25 years at a historical CPI of 6%, which equals \$9.23/AF

(5) "Net Cost" to be recovered by Rates with sales at total potential demand for each phase

(6) Includes construction costs of Rio Hondo Reservoir

Central Basin Municipal Water District
Financial Analysis Summary
Exhibit B

	Phase Ip	Phase Iq
<u>Total Project Costs</u>		
Total Capital Cost ⁽⁶⁾	\$5,486,494	\$1,535,625
CBMWD Capital Costs (75% of Total Capital Costs)	\$4,114,870	\$1,151,719
USBR Capital Cost Rebate (25% of Total Capital Costs)	\$1,371,623	\$383,906
<u>Annual Costs</u>		
CBMWD Debt Services (5.5%, 25 yrs.)	\$306,764	\$85,861
O&M		
Production Costs (\$110/AF) ⁽¹⁾	\$366,850	\$1,210
O&M (\$40/AF) ⁽²⁾	\$133,400	\$440
Administrative Cost (\$40/AF) ⁽³⁾	\$133,400	\$440
Lost Potable Revenue (\$9.23/AF) ⁽⁴⁾	\$30,782	\$102
Subtotal	\$971,196	\$88,052
<u>Non-Rate Revenue</u>		
MWD Local Projects Program (\$250/AF)	\$833,750	\$2,750
Subtotal	\$833,750	\$2,750
Operating (surplus)/Deficit	\$137,446	\$85,302
Net Cost of Recycled Water (\$/AF) ⁽⁵⁾	\$41	\$7,755

(1) Production costs are for the purchase of recycled water from CSDLAC, power and chlorine

(2) Operation and Maintenance costs include the operation of the distribution system and contract operations

(3) Administrative costs were based on 1998-99 actual CBMWD costs and divided by total build out demand of 15,000 AFY

(4) The economic evaluation for the potable revenue is the RTS present worth amortized over 25 years at a historical CPI of 6%, which equals \$9.23/AF

(5) "Net Cost" to be recovered by Rates with sales at total potential demand for each phase

(6) Includes construction costs of Rio Hondo Reservoir

Central Basin Municipal Water District
Financial Analysis Summary
Exhibit B

	Phase II a	Phase II b
<u>Total Project Costs</u>		
Total Capital Cost	\$10,078,469	\$2,169,819
CBMWD Capital Costs (75% of Total Capital Costs)	\$7,558,852	\$1,627,364
USBR Capital Cost Rebate (25% of Total Capital Costs)	\$2,519,617	\$542,455
<u>Annual Costs</u>		
CBMWD Debt Services (5.5%, 25 yrs.)	\$563,512	\$121,320
O&M		
Production Costs (\$110/AF) ⁽¹⁾	\$26,950	\$32,340
O&M (\$40/AF) ⁽²⁾	\$9,800	\$11,760
Administrative Cost (\$40/AF) ⁽³⁾	\$9,800	\$11,760
Lost Potable Revenue (\$9.23/AF) ⁽⁴⁾	\$2,261	\$2,714
Subtotal	\$612,324	\$179,894
<u>Non-Rate Revenue</u>		
MWD Local Projects Program (\$250/AF)	\$61,250	\$73,500
Subtotal	\$61,250	\$73,500
Operating (surplus)/Deficit	\$551,074	\$106,394
Net Cost of Recycled Water (\$/AF) ⁽⁵⁾	\$2,249	\$362

(1) Production costs are for the purchase of recycled water from CSDLAC, power and chlorine

(2) Operation and Maintenance costs include the operation of the distribution system and contract operations

(3) Administrative costs were based on 1998-99 actual CBMWD costs and divided by total build out demand of 15,000 AFY

(4) The economic evaluation for the potable revenue is the RTS present worth amortized over 25 years at a historical CPI of 6%, which equals \$9.23/AF

(5) "Net Cost" to be recovered by Rates with sales at total potential demand for each phase

Central Basin Municipal Water District
Financial Analysis Summary
Exhibit B

	Phase III a	Phase III b
<u>Total Project Costs</u>		
Total Capital Cost	\$3,867,063	\$8,794,056
CBMWD Capital Costs (75% of Total Capital Costs)	\$2,900,297	\$6,595,542
USBR Capital Cost Rebate (25% of Total Capital Costs)	\$966,766	\$2,198,514
<u>Annual Costs</u>		
CBMWD Debt Services (5.5%, 25 yrs.)	\$216,217	\$491,698
O&M		
Production Costs (\$110/AF) ⁽¹⁾	\$99,330	\$156,530
O&M (\$40/AF) ⁽²⁾	\$36,120	\$56,920
Administrative Cost (\$40/AF) ⁽³⁾	\$36,120	\$56,920
Lost Potable Revenue (\$9.23/AF) ⁽⁴⁾	\$8,335	\$13,134
Subtotal	\$396,122	\$775,202
<u>Non-Rate Revenue</u>		
MWD Local Projects Program (\$250/AF)	\$225,750	\$225,750
Subtotal	\$225,750	\$225,750
Operating (surplus)/Deficit	\$170,372	\$549,452
Net Cost of Recycled Water (\$/AF) ⁽⁵⁾	\$189	\$386

(1) Production costs are for the purchase of recycled water from CSDLAC, power and chlorine

(2) Operation and Maintenance costs include the operation of the distribution system and contract operations

(3) Administrative costs were based on 1998-99 actual CBMWD costs and divided by total build out demand of 15,000 AFY

(4) The economic evaluation for the potable revenue is the RTS present worth amortized over 25 years at a historical CPI of 6%, which equals \$9.23/AF

(5) "Net Cost" to be recovered by Rates with sales at total potential demand for each phase

Central Basin Municipal Water District
Financial Analysis Summary
Exhibit B

	Phase IV a	Phase IV b	Phase IV c
Total Project Costs			
Total Capital Cost	\$7,584,425	\$7,082,663	\$13,124,925
CBMWD Capital Costs (75% of Total Capital Costs)	\$5,688,319	\$5,311,997	\$9,843,694
USBR Capital Cost Rebate (25% of Total Capital Costs)	\$1,896,106	\$1,770,666	\$3,281,231
Annual Costs			
CBMWD Debt Services (5.5%, 25 yrs.)	\$424,064	\$396,009	\$733,847
O&M			
Production Costs (\$110/AF) ⁽¹⁾	\$185,460	\$8,250	\$921,470
O&M (\$40/AF) ⁽²⁾	\$67,440	\$3,000	\$335,080
Administrative Cost (\$40/AF) ⁽³⁾	\$67,440	\$3,000	\$335,080
Lost Potable Revenue (\$9.23/AF) ⁽⁴⁾	\$15,562	\$692	\$77,320
Subtotal	\$759,966	\$410,952	\$2,402,797
Non-Rate Revenue			
MWD Local Projects Program (\$250/AF)	\$421,500	\$18,750	\$2,094,250
Subtotal	\$421,500	\$18,750	\$2,094,250
Operating (surplus)/Deficit	\$338,466	\$392,202	\$308,547
Net Cost of Recycled Water (\$/AF) ⁽⁵⁾	\$201	\$5,229	\$37

(1) Production costs are for the purchase of recycled water from CSDLAC, power and chlorine

(2) Operation and Maintenance costs include the operation of the distribution system and contract operations

(3) Administrative costs were based on 1998-99 actual CBMWD costs and divided by total build out demand of 15,000 AFY

(4) The economic evaluation for the potable revenue is the RTS present worth amortized over 25 years at a historical CPI of 6%, which equals \$9.23/AF

(5) "Net Cost" to be recovered by Rates with sales at total potential demand for each phase

Central Basin Municipal Water District
Financial Analysis Summary
Exhibit B

Central Basin Municipal Water District
Financial Analysis Summary - Phase I - IV Summary
Exhibit B

	Phase I ⁽⁶⁾	Phase II	Phase III	Phase IV	USGVMWD	LBWD	WBMWD	Existing
Total Project Costs								
Total Capital Cost	\$10,663,101	\$15,265,888	\$3,867,063	\$36,586,069	\$1,506,250	\$926,250	\$8,062,500	\$50,000,000
CBMWD Capital Costs (75% of Total Capital Costs)	\$7,997,326	\$11,449,416	\$2,900,297	\$27,439,552	\$1,129,688	\$694,688	\$6,046,875	\$37,500,000
USBR Capital Cost Rebate (25% of Total Capital Costs)	\$2,665,775	\$3,816,472	\$966,766	\$9,146,517	\$376,563	\$231,563	\$2,015,625	\$12,500,000
Annual Costs								
CBMWD Debt Services (5.5%, 25 yrs.)	\$596,201	\$853,554	\$216,217	\$2,045,619	\$84,218	\$51,789	\$450,795	\$2,795,625
O&M								
Production Costs (\$110/AF) ⁽¹⁾	#VALUE!	\$84,480	\$242,000	\$1,038,510	\$192,500	\$44,000	\$440,000	\$440,000
O&M (\$40/AF) ⁽²⁾	#VALUE!	\$30,720	\$88,000	\$377,640	\$70,000	\$16,000	\$160,000	\$160,000
Administrative Cost (\$40/AF) ⁽³⁾	#VALUE!	\$30,720	\$88,000	\$377,640	\$70,000	\$16,000	\$160,000	\$160,000
Lost Potable Revenue (\$9.23/AF) ⁽⁴⁾	#VALUE!	\$7,089	\$20,306	\$87,140	\$16,153	\$3,692	\$36,920	\$36,920
Lease Rate for CWSC Reservoir @ \$6,000 per month	N/A	N/A	N/A	\$72,000	N/A	N/A	N/A	N/A
Lease Rate for Santa Fe Springs Reservoir ⁽⁶⁾	N/A	N/A	N/A	N/A	N/A	N/A	N/A	\$30,000
Subtotal	#VALUE!	\$1,006,563	\$654,523	\$3,998,549	\$432,871	\$131,481	\$1,247,715	\$3,622,545
Non-Rate Revenue								
MWD Local Projects Program (\$250/AF)	#VALUE!	\$192,000	\$550,000	\$2,360,250	\$437,500	\$100,000	\$1,000,000	\$1,000,000
Subtotal	#VALUE!	\$192,000	\$550,000	\$2,360,250	\$437,500	\$100,000	\$1,000,000	\$1,000,000
Operating /Deficit	#VALUE!	\$814,563	\$104,523	\$1,638,299	-\$4,629	\$31,481	\$247,715	\$2,622,545
Net Cost of Recycled Water (\$/AF) ⁽⁵⁾	#VALUE!	\$1,061	\$48	\$174	-\$3	\$79	\$62	\$656

(1) Production costs are for the purchase of recycled water from CSDLAC, power and chlorine

(2) Operation and Maintenance costs include the operation of the distribution system and contract operations

(3) Administrative costs were based on 1998-99 actual CBMWD costs and divided by total build out demand of 15,000 AFY

(4) The economic evaluation for the potable revenue is the RTS present worth amortized over 25 years at a historical CPI of 6%, which equals \$9.23/AF

(5) "Net Cost" to be recovered by Rates with sales at total potential demand for each phase

(6) An avoided cost for the Santa Fe Springs Pump Station and Reservoir has not been applied @ \$360,000 per year

The estimated cost of the new 4-MG reservoir is \$0.65/gallon or \$2.6 million

**FINANCIAL ANALYSIS
(Example Analysis)**

	Annual Exp/Rev	Present Worth(1)	PW/AF
Expenses			
Capital Cost (2)	\$ 745,494	\$ 10,000,000	
O&M (3)			
Production (\$110/af)	\$ 220,000	\$ 3,830,892	1,915.45
O&M (\$40/af)	\$ 80,000	\$ 1,393,052	696.53
Administrative Cost (\$40/af)	\$ 80,000	\$ 1,393,052	696.53
Lost Potable Revenue (\$29/af)	\$ 18,460	\$ 321,447	160.72
Total Expense	\$ 1,143,954	\$ 16,938,443	
Revenue			
USBR Grant (4)	\$ 186,373	\$ 2,500,000	
Maximum MWD LRP Rebate (5)	\$ 500,000	\$ 8,500,000	4,250.00
Recycled Water Rate (6)	\$ 480,000	\$ 9,371,259	4,685.63
Total Revenue	\$ 1,166,373	\$ 20,371,259	
Rev/Exp Ratio	1.02	1.20	
	14.52		

Example Analysis Data			
Total Capital Cost	\$ 10,000,000		
USBR Grant	\$ 2,500,000		
Project Demand	2,000		
Present Worth Analysis			
Expenses Escalate at	3%	110	110
Rates Escalate at	2%	40	40
Number of Years	25	40	40
		9.23	9.23
		199.23	

NOTES:

- (1) Present Worth is over a period of 25 years.
- (2) Does not Include Investment in the Existing Recycled Water System
- (3) O&M Expenses Escalate at 3% per year
- (4) USBR Grant is 25% of Capital Costs
- (5) LRP Rebate Varies on the Cost of the Program. LRP Rebate Expires in 2017
- (6) Rates Escalate at 2% per year

Westbasin Commodity Rate to DWP (Westside)	\$	240	
LADWP Debt Service		5.70%	
		30 years	
O&M	\$	500 per AF	\$240 wb commodity rate to DWP
MWD LPP		86 1-5 years	FV
		99 6-10 years	\$430.00
		112 11-15 years	
		125 16-20 years	

139 21-25 years

86

LADWP Rate

492.23 1.13/ccf

Pipeline 13,14,15 Prorated costs

	Capital Costs	Demand	Prorated Capital
Pipeline 13	13066200	#REF!	#REF!
Pipeline 14	3038785	#REF!	#REF!
Pipeline 15	7421245	#REF!	#REF!
	23526230	#REF!	#REF!

Exhibit B
Central Basin Municipal Water District
Economic Evaluation Summary

	Phase Ia	Phase Ib	Phase Id
Total Projected Demand (AF/Y)	600	24	15
Expenses			
Capital Cost (2)	\$686,250	\$206,325	\$199,031
O&M(3)			
Production(\$110/AF)	\$1,149,268	\$45,971	\$28,732
O&M (\$40/AF)	\$417,916	\$16,717	\$10,448
Adminstrative Cost (\$40/AF)	\$417,916	\$16,717	\$10,448
Lost Potable Revenue (\$9.23/AF)	\$96,434	\$3,857	\$2,411
Total Expense (Present Worth)	\$2,767,783	\$289,586	\$251,070
Revenue			
Grants (25% of Capital Costs)	\$171,563	\$51,581	\$49,758
Maximum MWD LRP Rebate (4)	\$2,550,000	\$102,000	\$63,750
Recycled Water Rate Revenue(5)	\$2,811,378	\$112,455	\$70,284
Total Revenue (Present Worth)	\$5,532,940	\$266,036	\$183,792
Revenue/Expense Ratio	2.00	0.92	0.73

NOTES:

- (1) Present Worth is over a period of 25 years.
- (2) Does not Include Investment (sunk costs) in the Existing Recycled Water System
- (3) O&M Expenses Escalate at 3% per year
- (4) LRP Rebate Varies on the Cost of the Program. LRP Rebate Available for Up to 10,500 AFY
- (5) Rates Escalate at 2% per year. Current average rate assumed at \$240/AF

Exhibit B
Central Basin Municipal Water District
Economic Evaluation Summary

	Phase Ie	Phase If	Phase Ig
Total Projected Demand (AF/Y)	464	19	26
Expenses			
Capital Cost (2)	\$516,500	\$327,019	\$211,575
O&M(3)			
Production(\$110/AF)	\$888,767	\$36,393	\$49,802
O&M (\$40/AF)	\$323,188	\$13,234	\$18,110
Adminstrative Cost (\$40/AF)	\$323,188	\$13,234	\$18,110
Lost Potable Revenue (\$9.23/AF)	\$74,576	\$3,054	\$4,179
Total Expense (Present Worth)	\$2,126,219	\$392,934	\$301,775
Revenue			
Grants (25% of Capital Costs)	\$129,125	\$81,755	\$52,894
Maximum MWD LRP Rebate (4)	\$1,972,000	\$80,750	\$110,500
Recycled Water Rate Revenue(5)	\$2,174,132	\$89,027	\$121,826
Total Revenue (Present Worth)	\$4,275,257	\$251,532	\$285,220
Revenue/Expense Ratio	2.01	0.64	0.95

NOTES:

- (1) Present Worth is over a period of 25 years.
- (2) Does not Include Investment (sunk costs) in the Existing Recycled Water System
- (3) O&M Expenses Escalate at 3% per year
- (4) LRP Rebate Varies on the Cost of the Program. LRP Rebate Available for Up to 1C
- (5) Rates Escalate at 2% per year. Current average rate assumed at \$240/AF

Exhibit B
Central Basin Municipal Water District
Economic Evaluation Summary

	Phase Ih	Phase li	Phase lj
Total Projected Demand (AF/Y)	50	27	30
Expenses			
Capital Cost (2)	\$161,881	\$468,431	\$322,338
O&M(3)			
Production(\$110/AF)	\$95,772	\$51,717	\$57,463
O&M (\$40/AF)	\$34,826	\$18,806	\$20,896
Adminstrative Cost (\$40/AF)	\$34,826	\$18,806	\$20,896
Lost Potable Revenue (\$9.23/AF)	\$8,036	\$4,340	\$4,822
Total Expense (Present Worth)	\$335,342	\$562,100	\$426,414
Revenue			
Grants (25% of Capital Costs)	\$40,470	\$117,108	\$80,584
Maximum MWD LRP Rebate (4)	\$212,500	\$114,750	\$127,500
Recycled Water Rate Revenue(5)	\$234,281	\$126,512	\$140,569
Total Revenue (Present Worth)	\$487,252	\$358,370	\$348,653
Revenue/Expense Ratio	1.45	0.64	0.82

NOTES:

- (1) Present Worth is over a period of 25 years.
- (2) Does not Include Investment (sunk costs) in the Existing Recycled Water System
- (3) O&M Expenses Escalate at 3% per year
- (4) LRP Rebate Varies on the Cost of the Program. LRP Rebate Available for Up to 1C
- (5) Rates Escalate at 2% per year. Current average rate assumed at \$240/AF

Exhibit B
Central Basin Municipal Water District
Economic Evaluation Summary

	Phase I _k	Phase II	Phase I _m
Total Projected Demand (AF/Y)	80	204	136
Expenses			
Capital Cost (2)	\$168,563	\$1,179,000	\$597,175
O&M(3)			
Production(\$110/AF)	\$153,236	\$390,751	\$260,501
O&M (\$40/AF)	\$55,722	\$142,091	\$94,728
Adminstrative Cost (\$40/AF)	\$55,722	\$142,091	\$94,728
Lost Potable Revenue (\$9.23/AF)	\$12,858	\$32,788	\$21,858
Total Expense (Present Worth)	\$446,100	\$1,886,721	\$1,068,989
Revenue			
Grants (25% of Capital Costs)	\$42,141	\$294,750	\$149,294
Maximum MWD LRP Rebate (4)	\$340,000	\$867,000	\$578,000
Recycled Water Rate Revenue(5)	\$374,850	\$955,868	\$637,246
Total Revenue (Present Worth)	\$756,991	\$2,117,618	\$1,364,539
Revenue/Expense Ratio	1.70	1.12	1.28

NOTES:

- (1) Present Worth is over a period of 25 years.
- (2) Does not Include Investment (sunk costs) in the Existing Recycled Water System
- (3) O&M Expenses Escalate at 3% per year
- (4) LRP Rebate Varies on the Cost of the Program. LRP Rebate Available for Up to 1C
- (5) Rates Escalate at 2% per year. Current average rate assumed at \$240/AF

Exhibit B
Central Basin Municipal Water District
Economic Evaluation Summary

	Phase In	Phase Io	Phase Ip
Total Projected Demand (AF/Y)	18	106	5,684
Expenses			
Capital Cost (2)	\$117,338	\$654,525	\$5,590,075
O&M(3)			
Production(\$110/AF)	\$34,478	\$203,037	\$10,887,396
O&M (\$40/AF)	\$12,537	\$73,832	\$3,959,053
Adminstrative Cost (\$40/AF)	\$12,537	\$73,832	\$3,959,053
Lost Potable Revenue (\$9.23/AF)	\$2,893	\$17,037	\$913,552
Total Expense (Present Worth)	\$179,783	\$1,022,262	\$25,309,130
Revenue			
Grants (25% of Capital Costs)	\$29,334	\$163,631	\$1,397,519
Maximum MWD LRP Rebate (4)	\$76,500	\$450,500	\$24,157,000
Recycled Water Rate Revenue(5)	\$84,341	\$496,677	\$26,633,118
Total Revenue (Present Worth)	\$190,176	\$1,110,808	\$52,187,637
Revenue/Expense Ratio	1.06	1.09	2.06

NOTES:

- (1) Present Worth is over a period of 25 years.
- (2) Does not Include Investment (sunk costs) in the Existing Recycled Water System
- (3) O&M Expenses Escalate at 3% per year
- (4) LRP Rebate Varies on the Cost of the Program. LRP Rebate Available for Up to 1C
- (5) Rates Escalate at 2% per year. Current average rate assumed at \$240/AF

Exhibit B
Central Basin Municipal Water District
Economic Evaluation Summary

	Phase Iq	Phase IIa	Phase IIb
Total Projected Demand (AF/Y)	811	527	241
Expenses			
Capital Cost (2)	\$1,753,581	\$10,078,469	\$2,169,819
O&M(3)			
Production(\$110/AF)	\$1,553,427	\$1,009,440	\$461,623
O&M (\$40/AF)	\$564,883	\$367,069	\$167,863
Adminstrative Cost (\$40/AF)	\$564,883	\$367,069	\$167,863
Lost Potable Revenue (\$9.23/AF)	\$130,347	\$84,701	\$38,734
Total Expense (Present Worth)	\$4,567,120	\$11,906,748	\$3,005,901
Revenue			
Grants (25% of Capital Costs)	\$438,395	\$2,519,617	\$542,455
Maximum MWD LRP Rebate (4)	\$3,446,750	\$2,239,750	\$1,024,250
Recycled Water Rate Revenue(5)	\$3,800,046	\$2,469,327	\$1,129,237
Total Revenue (Present Worth)	\$7,685,191	\$7,228,694	\$2,695,941
Revenue/Expense Ratio	1.68	0.61	0.90

NOTES:

- (1) Present Worth is over a period of 25 years.
- (2) Does not Include Investment (sunk costs) in the Existing Recycled Water System
- (3) O&M Expenses Escalate at 3% per year
- (4) LRP Rebate Varies on the Cost of the Program. LRP Rebate Available for Up to 1C
- (5) Rates Escalate at 2% per year. Current average rate assumed at \$240/AF

Exhibit B
Central Basin Municipal Water District
Economic Evaluation Summary

	Phase IIIa	Phase IIIb	Phase IVa
Total Projected Demand (AF/Y)	878	1,322	1,252
Expenses			
Capital Cost (2)	\$4,906,706	\$8,794,056	\$7,584,425
O&M(3)			
Production(\$110/AF)	\$1,681,762	\$2,532,220	\$2,398,139
O&M (\$40/AF)	\$611,550	\$920,807	\$872,050
Adminstrative Cost (\$40/AF)	\$611,550	\$920,807	\$872,050
Lost Potable Revenue (\$9.23/AF)	\$141,115	\$212,476	\$201,226
Total Expense (Present Worth)	\$7,952,683	\$13,380,367	\$11,927,890
Revenue			
Grants (25% of Capital Costs)	\$1,226,677	\$2,198,514	\$1,896,106
Maximum MWD LRP Rebate (4)	\$3,731,500	\$5,618,500	\$5,321,000
Recycled Water Rate Revenue(5)	\$4,113,983	\$6,194,402	\$5,866,408
Total Revenue (Present Worth)	\$9,072,159	\$14,011,416	\$13,083,514
Revenue/Expense Ratio	1.14	1.05	1.10

NOTES:

- (1) Present Worth is over a period of 25 years.
- (2) Does not Include Investment (sunk costs) in the Existing Recycled Water System
- (3) O&M Expenses Escalate at 3% per year
- (4) LRP Rebate Varies on the Cost of the Program. LRP Rebate Available for Up to 1C
- (5) Rates Escalate at 2% per year. Current average rate assumed at \$240/AF

Exhibit B
Central Basin Municipal Water District
Economic Evaluation Summary

	Phase IVb	Phase IVc
Total Projected Demand (AF/Y)	58	8,131
Expenses		
Capital Cost (2)	\$7,082,663	\$13,124,925
O&M(3)		
Production(\$110/AF)	\$111,096	\$15,574,493
O&M (\$40/AF)	\$40,399	\$5,663,452
Adminstrative Cost (\$40/AF)	\$40,399	\$5,663,452
Lost Potable Revenue (\$9.23/AF)	\$9,322	\$1,306,842
Total Expense (Present Worth)	\$7,283,877	\$41,333,164
Revenue		
Grants (25% of Capital Costs)	\$1,770,666	\$3,281,231
Maximum MWD LRP Rebate (4)	\$246,500	\$34,556,750
Recycled Water Rate Revenue(5)	\$271,767	\$38,098,854
Total Revenue (Present Worth)	\$2,288,932	\$75,936,835
Revenue/Expense Ratio	0.31	1.84

NOTES:

- (1) Present Worth is over a period of 25 years.
- (2) Does not Include Investment (sunk costs) in the Existing Recycled Water System
- (3) O&M Expenses Escalate at 3% per year
- (4) LRP Rebate Varies on the Cost of the Program. LRP Rebate Available for Up to 1C
- (5) Rates Escalate at 2% per year. Current average rate assumed at \$240/AF

Exhibit B
Central Basin Municipal Water District
Economic Evaluation Summary

	Phase I	Phase II	Phase III
Total Projected Demand (AF/Y)	8,294	768	2,200
Expenses			
Capital Cost (2)	13,159,606	12,248,288	13,700,763
O&M(3)			
Production(\$110/AF)	\$15,886,711	\$1,471,063	\$4,213,982
O&M (\$40/AF)	\$5,776,986	\$534,932	\$1,532,357
Adminstrative Cost (\$40/AF)	\$5,776,986	\$534,932	\$1,532,357
Lost Potable Revenue (\$9.23/AF)	\$1,333,039	\$123,436	\$353,591
Total Expense (Present Worth)	\$41,933,329	\$14,912,650	\$21,333,050
Revenue			
Grants (25% of Capital Costs)	\$3,289,902	\$3,062,072	\$3,425,191
Maximum MWD LRP Rebate (4)	\$35,249,500	\$3,264,000	\$9,350,000
Recycled Water Rate Revenue(5)	\$38,862,612	\$3,598,563	\$10,308,385
Total Revenue (Present Worth)	\$77,402,013	\$9,924,635	\$23,083,576
Revenue/Expense Ratio	1.85	0.67	1.08

NOTES:

- (1) Present Worth is over a period of 25 years.
- (2) Does not Include Investment (sunk costs) in the Existing Recycled Water System
- (3) O&M Expenses Escalate at 3% per year
- (4) LRP Rebate Varies on the Cost of the Program. LRP Rebate Available for Up to 10,500 AFY
- (5) Rates Escalate at 2% per year. Current average rate assumed at \$240/AF

Exhibit B
Central Basin Municipal Water District
Economic Evaluation Summary

	Phase IV	USGVMWD	LBWD
Total Projected Demand (AF/Y)	9,441	1,750	400
Expenses			
Capital Cost (2)	27,792,013	\$1,506,250	\$926,250
O&M(3)			
Production(\$110/AF)	\$18,083,728	\$3,352,031	\$766,178
O&M (\$40/AF)	\$6,575,901	\$1,218,920	\$278,610
Adminstrative Cost (\$40/AF)	\$6,575,901	\$1,218,920	\$278,610
Lost Potable Revenue (\$9.23/AF)	\$1,517,389	\$281,266	\$64,289
Total Expense (Present Worth)	\$60,544,932	\$7,577,387	\$2,313,939
Revenue			
Grants (25% of Capital Costs)	\$6,948,003	\$376,563	\$231,563
Maximum MWD LRP Rebate (4)	\$40,124,250	\$7,437,500	\$1,700,000
Recycled Water Rate Revenue(5)	\$44,237,029	\$8,199,852	\$1,874,252
Total Revenue (Present Worth)	\$91,309,282	\$16,013,914	\$3,805,814
Revenue/Expense Ratio	1.51	2.11	1.64

NOTES:

- (1) Present Worth is over a period of 25 years.
- (2) Does not Include Investment (sunk costs) in the Existing Recycled Water System
- (3) O&M Expenses Escalate at 3% per year
- (4) LRP Rebate Varies on the Cost of the Program. LRP Rebate Available for Up to 1C
- (5) Rates Escalate at 2% per year. Current average rate assumed at \$240/AF

Exhibit B
 Central Basin Municipal Water District
 Economic Evaluation Summary

	WBMWD
Total Projected Demand (AF/Y)	4,000
<u>Expenses</u>	
Capital Cost (2)	\$8,062,500
O&M(3)	
Production(\$110/AF)	\$7,661,785
O&M (\$40/AF)	\$2,786,104
Adminstrative Cost (\$40/AF)	\$2,786,104
Lost Potable Revenue (\$9.23/AF)	\$642,893
Total Expense (Present Worth)	
	\$21,939,386
<u>Revenue</u>	
Grants (25% of Capital Costs)	\$2,015,625
Maximum MWD LRP Rebate (4)	\$17,000,000
Recycled Water Rate Revenue(5)	\$18,742,518
Total Revenue (Present Worth)	
	\$37,758,143
Revenue/Expense Ratio	
	1.72

NOTES:

- (1) Present Worth is over a period of 25 years.
- (2) Does not Include Investment (sunk costs) in the Existing Recycled Water System
- (3) O&M Expenses Escalate at 3% per year
- (4) LRP Rebate Varies on the Cost of the Program. LRP Rebate Available for Up to 10%
- (5) Rates Escalate at 2% per year. Current average rate assumed at \$240/AF

Table ES-2
Present Worth of Revenues and Expenses

Phase and Subphase	Recycled Water Demand (AFY)	Capital Cost (\$)	Revenue/Expense Ratio
Phase I⁽¹⁾			
Ia	600	\$686,250	2.00
Ib	24	\$206,325	0.92
Id	15	\$199,031	0.73
Ie	464	\$516,500	2.01
If	19	\$327,019	0.64
Ig	26	\$211,575	0.95
Ih	50	\$161,881	1.45
Ii	27	\$468,431	0.64
Ij	30	\$322,338	0.82
Ik	80	\$168,563	1.70
Il	204	\$1,179,000	1.12
Im	136	\$597,175	1.28
In	18	\$117,338	1.06
Io	106	\$654,525	1.09
Ip	5,684	\$5,590,075	2.06
Iq	811	\$1,753,581	1.68
Phase II			
IIa	527	\$10,078,469	0.61
IIb	241	\$2,169,819	0.90
Phase III			
IIIa	878	\$4,906,706	1.14
IIIb	1,322	\$8,794,056	1.05
Phase IV			
IVa	1,252	\$7,584,425	1.10
IVb	58	\$7,082,663	0.31
IVc	8,131	\$13,124,925	1.84
Total	20,703	\$66,900,669	

⁽¹⁾ Only 2,593 AFY of the 5,684 AFY in Phase I can be implemented immediately without facility expansion (i.e the Pico Loop which is Phase IIa)

Technical Memorandum No. 1
Exhibit "A"

Technical Memorandum No. 1
Exhibit "B"

Technical Memorandum No. 1
Exhibit "C"

SECTION I

CENTRAL BASIN MUNICIPAL WATER DISTRICT RECYCLED WATER MASTER PLAN

TECHNICAL MEMORANDUM NO. 1 – DATA ASSESSMENT

In the market assessment, potential recycled water customers were identified and specific data was collected for each customer. This data was then stored in a database constructed specifically for recycled water customers. Next, the data was sorted and assessed to develop a picture of likely and realistic recycled water systems. Maps were developed to illustrate this step.

METHODOLOGY

The methodology used to identify and assess the customer market is summarized below.

IDENTIFICATION OF IRRIGATION CUSTOMERS

As part of the master plan study, all local cities and purveyors were contacted to supply 5 years of potable water usage information on potential recycled water customers in their respective areas. Table 1-1 outlines the response of the purveyors to the information request. In summary, 22 purveyors provided information on potential residential and non-residential customers greater than 5 acre-feet per year (AFY), 29 purveyors did not respond to the request for information, and 2 purveyors indicated that they had no potential customers greater than 5 AFY. Generally, the purveyors only provided 1998 annual usage; however, if purveyors provided more than one years worth, the average demand was used.

Initially from the city and purveyor information 1,454 potential customers were identified with a potential recycled water demand of 35,292 AFY. The potential recycled customers were cross referenced with CBMWD existing recycled water customers and potential recycled water customers identified several years ago and currently in the District's database. The data assessment took into account the type of customers (i.e., irrigation, industrial, and potable) and adjusted the potential customer's demand accordingly.

In addition, if the potential customers' meter was identified as an irrigation meter, it was assumed that 100% of the usage would be available as potential recycled water demand. However, for the majority of customers, the cities and purveyors did not indicate, so only a portion of the demand could be served with recycled water. For those customers, it was assumed that only 50% to 80% of the identified usage would be available as recycled water demand.

SECTION I
Technical Memorandum No. 1

Table 1-1 is a summary of the percent recycled water use for typical customers.

Table 1-1
Summary of Recycled Water Use Factors

Type of Use	Percent Recycled Use
Irrigation	
Park	80 – 90%
Schools	50 – 75%
Golf Course	85 – 95%
Cemetery	90 – 100%
Nursery	95 – 100%
Caltrans/Medians	100%
Commercial/Industrial	40 – 50%
Industrial	
Refinery	80-95%
Textile	75 – 95%
Others	65 – 90%

Based on the data assessment, the water quality needs of the potential customers identified was reviewed. The irrigation customers identified, can utilize and are not limited by the use of the Title 22 recycled water produced from either San Jose Creek Water Reclamation Plant or the Los Coyotes Water Reclamation Plant.

Based on the conceptual level review, the potential customers were placed into four phases. The potential Phase I customers identified totaled 203 and have a potential recycled water demand of 8,294 AFY. Phase I customers have been split in 16 potential phases, however only 2,593 AFY can be connected of the 8,294 AFY without Phase IIa “Pico Loop”. The Phase II customers identified totaled 33 and have potential recycled water demands of 768 AFY. The Phase III customers identified totaled 46 and have potential recycled water demands of 2,200 AFY. Phase IV customers have been split into three systems (Whittier, Lynwood, and Vernon) with potential total of 148 customers and a recycled water demand of 9,441 AFY. Refer to Exhibit “A” for the recycled water consumption including annual average, maximum day, and peak hour demands.

During the data assessment, an engineering feasibility study on a conceptual level was conducted in order to connect major potential customers to the CBMWD recycled water system. A major potential customer has been defined as a customer with a 50 AFY or greater demand. Refer to Exhibit “B” for a summary of those customers. For Phases I through IV, the number of major customers identified were 152. A private sector market information was obtained through Harper the Harris/Selectory (Harris) Online database to obtain company

SECTION I

Technical Memorandum No. 1

profiles for names from a list of potential reclaimed water customer. The Harris database claims to contain profiles of 400,000 United States manufacturers and related businesses. A fee is charged for each profile obtained. The 152 major potential customers were sorted and three categories titled “commercial/manufacturer”, “public”, and “unknown”. The “commercial/ manufacturer” category included names of businesses that would likely be included in the Harris database. The “public” category included names of schools, universities, parks, cemeteries, golf courses, public buildings, residential buildings, and road medians that were not likely included in the Harris database. The “unknown” category included those customer which were not expected to be included in the database due to an ambiguous name.

Results

Commercial/Manufacturer. Within the “commercial/manufacturer” category, 28 profiles out of 60 possible customers (47 percent) were located. Profiles were located for the following potential customers:

Charleston Tex Inc.	Aramark Uniform Services Inc.
Clougherty Packing Co.	Queen Div / Shaw Ind.
L.A. Dye & Print Works Inc.	Packaging Advantage Corp.
Paramount Petroleum Corp	No Amer Rockwell
GNB Batteries Inc.	Braun Towel Linen Service
Air Products & Chemical	St Francis Hospital
Hayes Wheel Corp.	Cargill-Continental Commodities
Square-H Brands Inc.	California Industrial Products
Kaiser Hospital	Red Chamber Co.
Ameripride Uniform Services	Downey Community Hosp.
US Filter Recovery Services	Gruma Corp.
G & K Services	Metal Surfaces Inc.
Anderson Litho	Goldenberg Group, Inc.
Service Packing, DBA	Anaplex Corp

Profiles were not located for the following potential customers within this category:

Visy Corp. (Proposed Site)	Federal Ice & Cold Storage
Mayflower Industries	Packers Investments
Champion Packing Co.	Andy's Nursery
US Namsung Textile, Inc.	Ultra Pure Water Demineralized
Stone Blue Inc.	DI Industries, Inc.
Pinetree Textile Inc.	US Filter (Polymetrics)
Lafayette Textiles	So. Reception Ctr & Clinic
US Spectrum Textiles LLC	Owens Illinois Inc.

SECTION I
Technical Memorandum No. 1

General Dyeing
L.A. County Mech
L.A. Industrial Laundry
Metropolitan State Hospital
Metro Wash & Laundry
Owens Illinois Inc.
Westerntex Industries
Orowheat Baking Company
Industry Emery

California Commerce Club
Heritage Corporation Center
Beverly Hospital
DV Industries
Pacific Fabric Finishing
Summit Group
Foster Wheeler
Environmental (Landfill)

Public. Within the “public” category there were 79 possible customers. The search was conducted but only 5 profiles were located; all five were colleges or universities. Profiles were located for the following potential customers:

Biola University
Whittier College
Cerritos Comm College
East Los Angeles Junior College
L.A. Comm College Dis

Unknown. There were 13 names within the unknown category; the name “none” appeared nine times. Four of the names were searched while zero profiles were located. Profiles were not located for the following potential customers within this category:

ADP-2
Norwalk 3
AD-6
Norwalk 1
None

Refer to Exhibit “C” for Harris/Selectory online database profiles.

Central Basin Municipal Water District
 Recycled Water
 Potential Customer Demand
 Exhibit A

Customer	Recycled Water Consumption ⁽¹⁾			Purveyor
	Annual Average		Peak ⁽²⁾	
	(AFY)	(gpm)	(gpm)	
Phase I-a				
Rose Hills Cemetery	600	372	2,143	Outside Service Area
SUBTOTAL	600	372	2143	
Phase I-b				
Franklin School	17	11	61	Whittier, City Of
Guirado Park	7	4	25	San Gabriel Valley Wtr. Co. -Whittier
SUBTOTAL	24	15	86	
Phase I-d				
Nelson School	5	3	18	San Gabriel Valley Wtr. Co. -Whittier
Pioneer High School	10	6	36	San Gabriel Valley Wtr. Co. -Whittier
SUBTOTAL	15	9	54	
Phase I-e				
All Pure Chemical Co.	19	12	68	Santa Fe Springs, City of
Associated Plating Co.	7	4	25	Santa Fe Springs, City of
Liquid Air	30	19	107	Santa Fe Springs, City Of
Procal (formerly Air Products & Chem.)	254	157	907	Santa Fe Springs, City of
Rich Products Inc.	8	5	29	Santa Fe Springs, City of
Thacker Container Co.	11	7	39	Santa Fe Springs, City of
U.S. Gypsum - Santa Fe Springs	135	84	482	Santa Fe Springs, City Of
SUBTOTAL	464	288	1657	
Phase I-f				
City of Norwalk	8	5	29	Southern California Water Company
Lakeside Park	11	7	39	Southern California Water Company
SUBTOTAL	19	12	68	
Phase I-g				
City - Norwalk	12	7	43	Park Water Co.
Westside Park	14	9	50	Park Water Co.
SUBTOTAL	26	16	93	
Phase I-h				
Asst Ready Mixed Concr	6	4	21	Downey, City of
Kirkhill Mfg	6	4	21	Downey, City of
Storopack Co	10	6	36	Downey, City of
Storopack Co	13	8	46	Downey, City of
United Drill Bushing	15	9	54	Downey, City of
SUBTOTAL	50	31	179	
Phase I-i				
Norwalk Toyota	7	4	25	Southern California Water Company
Norwalk Car Wash	20	12	71	Southern California Water Company
SUBTOTAL	27	17	96	
Phase I-j				
Anna Glazier Park	15	9	54	Park Water Co.
Anna Glazier School	15	9	54	Park Water Co.
SUBTOTAL	30	19	107	

Central Basin Municipal Water District
Recycled Water
Potential Customer Demand
Exhibit A

Customer	Recycled Water Consumption ⁽¹⁾			Purveyor
	Annual Average		Peak ⁽²⁾	
	(AFY)	(gpm)	(gpm)	
Phase I-k				
Excelsior High School	40	25	143	Park Water Co.
Norwalk Sch Dst	40	25	143	Park Water Co.
SUBTOTAL	80	50	286	
Phase I-l				
Earl Edmonston School	10	6	36	Park Water Co.
Holifield Park	17	11	61	Park Water Co.
John Dolland School	19	12	68	Park Water Co.
Nettie Waite Elementary School	25	16	89	Norwalk, City Of
Norwalk Park	25	16	89	Norwalk, City Of
Norwalk Sch Dst	11	7	39	Park Water Co.
Norwalk Sch Dst	12	7	43	Park Water Co.
So. Reception Ctr & Clinic	73	45	261	Southern California Water Company
Walnut Elementary School	12	7	43	Norwalk, City Of
SUBTOTAL	204	126	729	
Phase I-m				
Downey Unified School	15	9	54	Downey, City of
Downey Unified School	39	24	139	Downey, City of
Furman Park	30	19	107	Downey, City Of
Griffith Elementary School	16	10	57	Downey, City Of
Price Elementary School	16	10	57	Downey, City Of
Rio Hondo Elementary School	20	12	71	Downey, City Of
SUBTOTAL	136	84	486	
Phase I-n				
Bell High School	18	11	64	Southern California Water Co. (SCWBELL)
SUBTOTAL	18	11	64	
Phase I-o				
Lynwood High School	106	66	379	Lynwood, City of
SUBTOTAL	106	66	379	
Phase I-p				
ABC Rhubarb Farms & Herbs	12	7	43	Southern California Water Co. (SCWBELL)
Aeolian School	5	3	18	San Gabriel Valley Wtr. Co. -Whittier
Alchem Plastics Inc	7	4	25	Suburban Water Systems
American Mobile Home Park	41	25	146	Paramount, City of
Amusement Industry Inc	6	4	21	Downey, City of
Banana Dills Park	30	19	107	Paramount, City Of
Bellflwr Uni Sch	11	7	39	Park Water Co.
BJ Svcs. Co.	7	4	25	Santa Fe Springs, City of
Burke Industries	17	11	61	Santa Fe Springs, City of
Calif Golf Cntr	32	20	114	Park Water Co.
California Industrial Products	74	46	264	Santa Fe Springs, City of
California Mobile Home	40	25	143	Paramount, City of
Caltrans I-710 & Imperial	17	11	61	Lynwood, City Of
Certified Plant	6	4	21	Downey, City of
City - Bellflower	8	5	29	Park Water Co.
City of Norwalk	18	11	64	SOUTHERN CALIFORNIA WATER CO.
City of Santa Fe Springs	7	4	25	Santa Fe Springs, City of
Continental Heat Treat	7	4	25	Santa Fe Springs, City of

Central Basin Municipal Water District
Recycled Water
Potential Customer Demand
Exhibit A

Customer	Recycled Water Consumption ⁽¹⁾			Purveyor
	Annual Average		Peak ⁽²⁾	
	(AFY)	(gpm)	(gpm)	
Conway Western Express	16	10	57	Santa Fe Springs, City of
County of Los Angeles	57	35	204	Downey, City of
Daily Saw Service	6	4	21	Downey, City of
Dexter School	30	19	107	Whittier, City Of
Diloreto Enterprises	7	4	25	Downey, City of
Downey Unfd Woodruff	25	16	89	Downey, City of
Downey Unif Schl Dist	24	15	86	Downey, City of
Downey Unified School	6	4	21	Downey, City of
Downey Unified School	12	7	43	Downey, City of
Downey Unified School	12	7	43	Downey, City of
Downey Unified School	19	12	68	Downey, City of
Downey Unified School	21	13	75	Downey, City of
Duke Properties	6	4	21	Downey, City of
Frigid Coil/Frick Inc.	9	6	32	Santa Fe Springs, City of
G & K Services	84	52	300	Santa Fe Springs, City of
Grainger / PM 19973	5	3	18	Santa Fe Springs, City Of
Hathaway 1, LLC	7	4	25	Santa Fe Springs, City of
Hollydale School	30	19	107	SOUTHERN CALIFORNIA WATER CO.
Horizon Growers	20	12	71	San Gabriel Valley Wtr. Co. -Whittier
Imperial Manor	46	29	164	SOUTHERN CALIFORNIA WATER CO.
Inland Container Corp.	18	11	64	Santa Fe Springs, City of
Insignia Commercial GRP	9	6	32	Santa Fe Springs, City of
Investment Dev. Serv. Business Park	15	9	54	Santa Fe Springs, City of
LA County Justice Center	307	190	1,096	Lynwood, City of
Lederman Bros	11	7	39	Santa Fe Springs, City of
Little Lake Cemetery	23	14	82	Santa Fe Springs, City Of
Longfellow School	6	4	21	Whittier, City Of
Los Amigos Golf Course	340	211	1,214	Los Angeles County Rancho Los Amigos
Los Nietos Intermediate School	11	7	39	Los Nietos Mutual Water Co.
Los Nietos Park	20	12	71	San Gabriel Valley Wtr. Co. -Whittier
Lucky Container Corp.	6	4	21	Vernon, City Of
Lynwood Unified School District	6	4	21	Park Water Co.
Manufactures Wre	8	5	29	Downey, City of
Merrifield, RL	13	8	46	Downey, City of
Metal Surfaces	85	53	304	Southern California Water Co. (SCWBELL)
Metal Surfaces Inc.	57	35	204	SOUTHERN CALIFORNIA WATER CO.
Mkt Fix Umlmtd Inc	25	16	89	Downey, City of
MSH - Cogeneration Facility	200	124	714	SOUTHERN CALIFORNIA WATER CO.
Neighborhood Center (Santa Fe Spgs)	5	3	18	Santa Fe Springs, City Of
No Amer Rockwell	163	101	582	Downey, City of
Nobbs Family Trust	8	5	29	Santa Fe Springs, City of
Norwalk High School	44	27	157	Norwalk, City Of
Norwalk Sch Dst	23	14	82	Park Water Co.
Norwalk Sch Elm	18	11	64	Park Water Co.
Norwalk Sch-Har	20	12	71	Park Water Co.
Obregon School	8	5	29	Pico Rivera, City Of
Orange County Nursery	10	6	36	Cerritos, City of
Pacific Alloy Casting, Inc.	10	6	36	South Gate, City Of

Central Basin Municipal Water District
Recycled Water
Potential Customer Demand
Exhibit A

Customer	Recycled Water Consumption ⁽¹⁾			Purveyor
	Annual Average		Peak ⁽²⁾	
	(AFY)	(gpm)	(gpm)	
Prentiss Properties	9	6	32	Santa Fe Springs, City of
Queen Div / Shaw Ind.	196	122	700	Santa Fe Springs, City of
Rancho Santa Gertrudes School	14	9	50	San Gabriel Valley Wtr. Co. -Whittier
S.S. Dyeing	23	14	82	SOUTHERN CALIFORNIA WATER CO.
Santa's Forrest XMAS	6	4	21	Downey, City of
SEAACA	14	9	50	Downey, City of
Senior Home	11	7	39	Paramount, City Of
So. California Prop. Inc.	15	9	54	Santa Fe Springs, City of
Somerset Village	55	34	196	Paramount, City of
South Gate Park	100	62	357	South Gate, City Of
Southern Reception Center	46	29	164	Park Water Co.
St Francis Hospital	141	87	504	Lynwood, City of
St. John Bosco High School	35	22	125	Peerless Water Co.
Standard Precsion, Inc.	11	7	39	Santa Fe Springs, City of
Stone Container Corp	8	5	29	Santa Fe Springs, City of
Storopack Co	22	14	79	Downey, City of
TCW Realty Advisors	9	6	32	Santa Fe Springs, City of
Transit Mixed Concrete Co.	18	11	64	Santa Fe Springs, City Of
Triangle Dist. Co.	9	6	32	Santa Fe Springs, City of
Tri-City Mobil	6	4	21	Downey, City of
Trojan Battery Company	7	4	25	Santa Fe Springs, City Of
United Drill Bushing	23	14	82	Downey, City of
Valley View Business Center	6	4	21	Suburban Water Systems
Villa Santa Fe Apartments	8	5	29	Santa Fe Springs, City Of
Viscara Nursery	6	4	21	Downey, City of
Ward Elementary School	25	16	89	Downey, City Of
West Whittier Elementary School	9	6	32	Whittier, City Of
Whittier Union High School District - Cont H.S.	20	12	71	Santa Fe Springs, City of
Will Rogers School	16	10	57	Lynwood, City of
Wintime Ltd.	10	6	36	Santa Fe Springs, City of
Abbot School	5	3	18	Park Water Co.
CENCO Refinery (Powerine)	1000	620	3,571	Santa Fe Springs, City Of
Columbus High School	33	20	118	Downey, City Of
Cpt Unfd Sch DS (Whaley Jr High)	19	12	68	Park Water Co.
Crockett Container Corporation	40	25	143	Santa Fe Springs, City Of
General Dyeing	261	162	932	Santa Fe Springs, City of
LA County Public Library	9	6	32	SOUTHERN CALIFORNIA WATER CO.
Los Angeles Co Recorder	10	6	36	SOUTHERN CALIFORNIA WATER CO.
Los Angeles Co Sheriff (Norwalk)	3	2	11	SOUTHERN CALIFORNIA WATER CO.
McMaster Car Supply Company	49	30	175	Santa Fe Springs, City Of
Norwalk Civic Center	17	11	61	SOUTHERN CALIFORNIA WATER CO.
Pacific Nursery	40	25	143	Paramount, City Of
Pico Rivera Municipal Golf Course	150	93	536	Pico Rivera, City Of
U.S. Gypsum - Southgate	134	83	479	South Gate, City Of
White Flower Nursery	20	12	71	Paramount, City Of
SUBTOTAL	5684	3524	20299	

Central Basin Municipal Water District
Recycled Water
Potential Customer Demand
Exhibit A

Customer	Recycled Water Consumption ⁽¹⁾			Purveyor
	Annual Average		Peak ⁽²⁾	
	(AFY)	(gpm)	(gpm)	
Phase I-q				
Biola University	134	83	479	Suburban Water Systems
Eastwood School	19	12	68	Suburban Water Systems
El Camino High School	38	24	136	Suburban Water Systems
Gardenhill School	21	13	75	Suburban Water Systems
Hutchinson School	12	7	43	Suburban Water Systems
La Mirada Golf Course	216	134	771	Suburban Water Systems
La Mirada High School	27	17	96	Suburban Water Systems
La Mirada Park	312	193	1,114	Suburban Water Systems
La Pluma School	18	11	64	Suburban Water Systems
Olive Lawn Memorial Park	14	9	50	Suburban Water Systems
SUBTOTAL	811	503	2896	
Phase II-a				
ADC Truck Terminal	41	25	146	Pico Rivera, City Of
Armenian School	5	3	18	Pico Rivera, City Of
Bell Gardens Park	25	16	89	Bell Gardens, City of
Cemetary Pklawn	33	20	118	California Water Service Co. - East LA
Cintas Corp.	79	49	282	Pico Rivera, City Of
City Of Pico Rvra (Smith Park Pool)	11	7	39	Pico Water District
Durfee Elementary School	12	7	43	Pico Rivera, City Of
Galstian Family Trust	8	5	29	Pico Water District
LA Dye Works (Pico Rivera)	100	62	357	Pico Rivera, City Of
Manning Beef Products	28	17	100	Pico Water District
Mt. Carmel Cemetery	25	16	89	Commerce, City of
MUSD Adult Education	7	4	25	SOUTHERN CALIFORNIA WATER CO.
Newkirk Management	22	14	79	Pico Water District
No Ranchito Elementary School	15	9	54	Pico Water District
North Park Jr High School	14	9	50	Pico Water District
Park Lawn Cemetery	35	22	125	Commerce, City of
Smith Park	23	14	82	Pico Water District
St Theresa Conv Hosp	12	7	43	Pico Water District
Suva Intermediate School	32	20	114	Bell Gardens, City of
SUBTOTAL	527	327	1882	
Phase II-b				
Birney School	15	9	54	Pico Rivera, City Of
Burke Jr. High	30	19	107	Pico Rivera, City Of
City Of Pico Rivera/City Hall	6	4	21	Pico Rivera, City Of
El Rancho Adult School	30	19	107	Pico Water District
Green Acres Nursery	12	7	43	Pico Rivera, City Of
Los Angeles Co Library	5	3	18	Downey, City of
Magee Elementary School	15	9	54	Pico Rivera, City Of
Rio Vista Elementary School	20	12	71	Pico Water District
Rivera Elementary School	41	25	146	Pico Rivera, City Of
Rivera Junior High School	20	12	71	Pico Rivera, City Of
Rivera Park	32	20	114	Pico Rivera, City Of
Salazar High School	5	3	18	Pico Water District
St. Mariannes School	5	3	18	Pico Rivera, City Of
Valencia School	5	3	18	Pico Rivera, City Of

Central Basin Municipal Water District
Recycled Water
Potential Customer Demand
Exhibit A

Customer	Recycled Water Consumption ⁽¹⁾			Purveyor
	Annual Average		Peak ⁽²⁾	
	(AFY)	(gpm)	(gpm)	
SUBTOTAL	241	149	861	
Phase III-a				
Acuna Park	15	9	54	Montebello Land and Water Co.
Cure, Inc. (Landfill)	69	43	246	Outside Service Area
Foster Wheeler Enviornmental (Landfill)	51	32	182	California Water Service Co. - East LA
Grant Rae Park	47	29	168	Montebello Land and Water Co.
La Merced Elementary School	3	2	11	San Gabriel Valley Wtr. Co. -Montebello
Mobile Home Park	41	25	146	Pico Rivera, City Of
Montebello City Hall	19	12	68	Montebello Land and Water Co.
Montebello City Park	33	20	118	Montebello Land and Water Co.
Montebello High School	30	19	107	Montebello Land and Water Co.
Montebello Intermediate School	20	12	71	Montebello Land and Water Co.
Montebello Municipal Golf Course	500	310	1,786	California Water Service Co. - East LA
Park Victoria	8	5	29	Montebello Land and Water Co.
Rio Hondo Park	27	17	96	Pico Rivera, City Of
Taylor Ranch	6	4	21	Montebello Land and Water Co.
Wilcox Elementary School	9	6	32	San Gabriel Valley Wtr. Co. -Montebello
SUBTOTAL	878	544	3136	
Phase III-b				
Anderson Litho	80	50	286	California Water Service Co. - East LA
Ashiya Park	33	20	118	California Water Service Co. - East LA
Bell Gardens High School	20	12	71	Bell Gardens, City of
California Commerce Club	70	43	250	California Water Service Co. - East LA
City of Commerce	13	8	46	California Water Service Co. - East LA
City of Commerce	17	11	61	California Water Service Co. - East LA
Damas Nursery	3	2	11	California Water Service Co. - East LA
Daniel Plasencia Nursery	6	4	21	Commerce, City of
Emery Industries	151	94	539	Commerce, City of
Gehr Industries Inc	16	10	57	California Water Service Co. - East LA
Hubbard Nursery	13	8	46	California Water Service Co. - East LA
Inland Container	21	13	75	California Water Service Co. - East LA
Kaiser Aluminum	178	110	636	Commerce, City of
Los Angeles Cnty / Commerce Refuse	245	152	875	California Water Service Co. - East LA
Los Angeles Dye and Wash	49	30	175	California Water Service Co. - East LA
Lyon Christmas Tree Nursery	8	5	29	California Water Service Co. - East LA
MGF Industries	9	6	32	Commerce, City of
Mimosa Nursery	6	4	21	California Water Service Co. - East LA
Mt. Olive Memorial Cemetery	15	9	54	Commerce, City of
New Crow	25	16	89	Commerce, City of
New Crow II	9	6	32	Commerce, City of
Pacific Paradise Nursery	36	22	129	California Water Service Co. - East LA
Pacific Tube Company	53	33	189	California Water Service Co. - East LA
Rosewood Park	12	7	43	Cerritos, City of
Takahashi Nursery	10	6	36	Commerce, City of
The Super A Investment	15	9	54	Montebello, City Of
Trammel Crow Company	15	9	54	Commerce, City of
Veteran's Memorial Park	30	19	107	Commerce, City of
Westertex Industries	111	69	396	California Water Service Co. - East LA

Central Basin Municipal Water District
 Recycled Water
 Potential Customer Demand
 Exhibit A

Customer	Recycled Water Consumption ⁽¹⁾			Purveyor
	Annual Average		Peak ⁽²⁾	
	(AFY)	(gpm)	(gpm)	
Yoshi Nursery	8	5	29	Commerce, City of
Saybrook Park	45	28	161	California Water Service Co. - East LA
SUBTOTAL	1322	820	4721	
Phase IV-a				
Arden Realty Incorp	8	5	29	Suburban Water Systems
Calif Domestic Water	5	3	18	Suburban Water Systems
California High School	130	81	464	Suburban Water Systems
Candlewood Country Club	44	27	157	Orchard Dale Water District
City of Whittier	19	12	68	Suburban Water Systems
East Whittier Sch Dist	10	6	36	Suburban Water Systems
East Wht Methodist Chrch	5	3	18	Suburban Water Systems
Fred Nelles School	75	47	268	Whittier, City Of
Friendly Hills Country Club	248	154	886	Suburban Water Systems
Hillview Middle School	30	19	107	Suburban Water Systems
Hrbf Whittier #2 L.T.D.	5	3	18	Suburban Water Systems
La Colma School	15	9	54	Orchard Dale Water District
La Serna High School	57	35	204	Suburban Water Systems
Lincoln School	5	3	18	Lynwood, City of
Los Angeles County Sheriff	61	38	218	Orchard Dale Water District
Mulberry School	10	6	36	Suburban Water Systems
Orchard Dale School	16	10	57	Suburban Water Systems
Potential Customer to be Indentified	5	3	18	Whittier, City of
Potential Customer to be Indentified	5	3	18	Whittier, City of
Potential Customer to be Indentified	5	3	18	Whittier, City of
Potential Customer to be Indentified	6	4	21	Whittier, City of
Potential Customer to be Indentified	6	4	21	Whittier, City of
Potential Customer to be Indentified	7	4	25	Whittier, City of
Potential Customer to be Indentified	7	4	25	Whittier, City of
Potential Customer to be Indentified	7	4	25	Whittier, City of
Potential Customer to be Indentified	8	5	29	Whittier, City of
Potential Customer to be Indentified	8	5	29	Whittier, City of
Potential Customer to be Indentified	9	6	32	Whittier, City of
Potential Customer to be Indentified	9	6	32	Whittier, City of
Potential Customer to be Indentified	9	6	32	Whittier, City of
Potential Customer to be Indentified	9	6	32	Whittier, City of
Potential Customer to be Indentified	10	6	36	Whittier, City of
Potential Customer to be Indentified	10	6	36	Whittier, City of
Potential Customer to be Indentified	11	7	39	Whittier, City of
Potential Customer to be Indentified	12	7	43	Whittier, City of
Potential Customer to be Indentified	12	7	43	Whittier, City of
Potential Customer to be Indentified	13	8	46	Whittier, City of
Potential Customer to be Indentified	15	9	54	Whittier, City of
Potential Customer to be Indentified	19	12	68	Whittier, City of
Potential Customer to be Indentified	22	14	79	Whittier, City of
Potential Customer to be Indentified	25	16	89	Whittier, City of
Savage Canyon Landfill	30	19	107	Whittier, City Of
Summit Group	56	35	200	Suburban Water Systems
Whittier Union High School	15	9	54	Whittier, City Of

Central Basin Municipal Water District
Recycled Water
Potential Customer Demand
Exhibit A

Customer	Recycled Water Consumption ⁽¹⁾			Purveyor
	Annual Average		Peak ⁽²⁾	
	(AFY)	(gpm)	(gpm)	
Whittier College	120	74	429	Whittier, City Of
Whittier Hospital	39	24	139	Suburban Water Systems
SUBTOTAL	1252	776	4471	
Phase IV-b				
DV Industries	58	36	207	Lynwood, City of
SUBTOTAL	58	36	207	
Phase IV-c				
26th St Industrial Park	7	4	25	Vernon, City of
Air Products & Chemicals Inc.	24	15	86	Vernon, City of
All American Manufacturing Company	4	2	14	Vernon, City Of
Allied Feather & Down	11	7	39	Vernon, City Of
Aluminum Company of America	447	277	1,596	Vernon, City Of
AMCA Plastic	22	14	79	Vernon, City of
American Pacific Rim Inc.	10	6	36	Vernon, City of
Ameripride Uniform Services	97	60	346	Vernon, City of
Angelus Sanitary Can Co.	10	6	36	Vernon, City Of
Arcadia Inc.	26	16	93	Vernon, City of
Atlantic Research Corporation	13	8	46	Vernon, City of
Baker Commodities	124	77	443	California Water Service Co. - East LA
Barksdale Controls	10	6	36	Vernon, City Of
Belvedere Elementary School	15	9	54	California Water Service Co. - East LA
Byron Jackson Pump	13	8	46	Vernon, City of
California By-Products	37	23	132	Vernon, City of
California Electro Plating	34	21	121	LADWP
California Webbing	10	6	36	Vernon, City Of
Champion Packing Co.	380	236	1,357	Vernon, City of
Chem-Tech System Inc.	11	7	39	Vernon, City Of
City of Vernon Utility Dept.	13	8	46	Vernon, City of
City of Vernon Water Dept.	6	4	21	Vernon, City of
CKM Industries Inc.	13	8	46	Vernon, City of
Coast Packing Co.	16	10	57	Vernon, City of
Container Corporation of America	31	19	111	Vernon, City of
Container Corporation of America	300	186	1,071	Vernon, City of
D/K Environmental	15	9	54	Vernon, City of
Dales Transport	6	4	21	Vernon, City of
Downey Associates	44	27	157	Vernon, City of
Dumont Industries	65	40	232	LADWP
Dumont Industries Inc.	26	16	93	LADWP
Eastman Junior High School	20	12	71	California Water Service Co. - East LA
Edward Roybal Comp. Health Center	20	12	71	California Water Service Co. - East LA
Evergreen Industries Inc.	10	6	36	Vernon, City of
Filtrol Corporation	40	25	143	Vernon, City of
Ford Boulevard School	15	9	54	California Water Service Co. - East LA
GNB Batteries, Inc.	90	56	321	California Water Service Co. - East LA
Griffith Middle School	20	12	71	California Water Service Co. - East LA
Grover Products Co.	8	5	29	LADWP
Gruma Corporation	73	45	261	California Water Service Co. - East LA
Hamasaki Elementary School	15	9	54	California Water Service Co. - East LA

Central Basin Municipal Water District
 Recycled Water
 Potential Customer Demand
 Exhibit A

Customer	Recycled Water Consumption ⁽¹⁾			Purveyor
	Annual Average		Peak ⁽²⁾	
	(AFY)	(gpm)	(gpm)	
Hollander Home Fashions Corp.	41	25	146	Vernon, City of
Home of Peace Memorial	40	25	143	California Water Service Co. - East LA
Humphrey's Ave. School	29	18	104	California Water Service Co. - East LA
Huxtable's	15	9	54	Vernon, City of
HWL Enter., Inc. dba Gene's Plating	8	5	29	LADWP
Jackson, Byron Property	11	7	39	Vernon, City Of
KB Management Co	11	7	39	Vernon, City of
Keshbaff Knitting, Inc.	322	200	1,150	LADWP
LA Dye & Print Works Inc.	15	9	54	Vernon, City of
LA Dye Works, Inc (Finish Div)	500	310	1,786	Vernon, City of
LA Dye Works, Inc (Rainbow Div)	500	310	1,786	LADWP
LA Washrack	5	3	18	Vernon, City Of
LA Washrack Inc.	47	29	168	Vernon, City Of
Life Like Products Inc.	16	10	57	Vernon, City of
Light & Power Dept., City of Vernon	10	6	36	Vernon, City of
Mayflower Industries	725	450	2,589	Vernon, City of
Modern Pattern & Foundry Co.	6	4	21	Vernon, City of
Norris Company	18	11	64	Vernon, City Of
Norris Company-Building 5	194	120	693	Vernon, City Of
Norris Industries	7	4	25	Vernon, City Of
Obregon Park	96	60	343	California Water Service Co. - East LA
OEM Corp.	75	47	268	California Water Service Co. - East LA
Owens Illinois Inc. I	72	45	257	Vernon, City of
Owens Illinois Inc. I	159	99	568	Vernon, City of
Pabco Paper Products	200	124	714	Vernon, City of
Pacific Anchor Chemical	5	3	18	Vernon, City of
Pacific Fabric Finishing	58	36	207	Vernon, City of
Pacific Fabric Printers	104	64	371	Vernon, City of
Packaging Advantage Corp.	187	116	668	Vernon, City of
Packaging Co of Cal	30	19	107	California Water Service Co. - East LA
Packaging Company of America	20	12	71	California Water Service Co. - East LA
Packers Investments	111	69	396	Vernon, City of
Penetrate Metal Processing Service	34	21	121	LADWP
Pinetree Textile Inc.	296	184	1,057	Vernon, City of
PJK Inc.	11	7	39	Vernon, City of
Pour Le Bebe, Inc.	21	13	75	California Water Service Co. - East LA
Primo Corp	6	4	21	Vernon, City Of
Prudential Insurance	6	4	21	Vernon, City Of
Punch Press Products	1	1	4	Vernon, City Of
Ramona High School	20	12	71	California Water Service Co. - East LA
Rehrig Pacific Co	11	7	39	California Water Service Co. - East LA
Reprocell	68	42	243	Vernon, City Of
Robertson Ready Mix	16	10	57	Vernon, City of
Santa Fe Pacific LLC	13	8	46	Vernon, City of
Service Packing, DBA	19	12	68	Vernon, City of
Service Packing, DBA	78	48	279	Vernon, City of
Soco-Lynch Corp	6	4	21	Vernon, City of
Soto Industrial Development	6	4	21	Vernon, City of

Central Basin Municipal Water District
 Recycled Water
 Potential Customer Demand
 Exhibit A

Customer	Recycled Water Consumption ⁽¹⁾			Purveyor
	Annual Average		Peak ⁽²⁾	
	(AFY)	(gpm)	(gpm)	
Southland Box Co.	5	3	18	Vernon, City Of
Sunlaw Coldgen Plant Cogen. Partn.	250	155	893	Vernon, City Of
Sunlaw Grogen Plant Cogen. Partn.	250	155	893	Vernon, City Of
The Clorox Company	64	40	229	California Water Service Co. - East LA
Tissurama	605	375	2,161	Vernon, City Of
United Parcel Service	6	4	21	Vernon, City of
US Filter Recovery Services	91	56	325	Vernon, City of
US Namsung Textile, Inc.	330	205	1,178	California Water Service Co. - East LA
Vernon Truck Wash	33	20	118	Vernon, City of
West Coast Rendering	33	20	118	California Water Service Co. - East LA
Winkler Flexible Products	35	22	125	California Water Service Co. - East LA
Yonekyu USA Inc.	29	18	104	Vernon, City of
SUBTOTAL	8131	5041	29037	
GRAND TOTAL	20703			

Central Basin Municipal Water District - Existing Database (Final from S. Surbey 12/16/99)

User	User									TTLAVG	IRRAVG	INDAVG	TTLPK	IRRPK	INDPK	IRRPK	INDPK			
Pro.	Pro.	ID	NAME	NAME2	USER_NAME	ADDRESS	CITY	ZIP	Pr	IRR	IND	IRRIG_TYPE	AFY	AFY	AFY	GPM	GPM	GPM	FCTR	FCTR
179	179	R0649	229	Visy Corp. (Proposed Site)	8900 Washington Blvd.	Pico Rivera	90660	Ri	1	0	Landscape	1000.0000	1000.00	0.00	86.80	86.80	0.00	4.00	2.00	
915	919	R1460	0	Rose Hills Cemetery	3900 W. Workman Mill Rd	County of L.A.	90601	Ri	1	0	Cemetery	600.0000	600.00	0.00	0.00	0.00	0.00	4.00	2.00	
239	239	R0635	218	Montebello Municipal Golf Course	850 Via San Clemente	Montebello	90640	Ri	1	0	Golf Course	346.0000	346.00	0.00	858.08	858.08	0.00	4.00	2.00	
19	19	C0042	20	Los Amigos Golf Course	7295 E Quill Dr	Downey	90242	Ce	1	0	Golf Course	340.0000	340.00	0.00	843.20	843.20	0.00	4.00	2.00	
579	582	R1420	505	La Mirada Park	13701 S Adelfa Dr	La Mirada	90368	Ri	1	0	Park	312.0000	312.00	0.00	773.76	773.76	0.00	4.00	2.00	
592	595	R0958	319	New Calvary Cemetery	4201 Whittier Blvd	Los Angeles	90063	Ri	1	0	Cemetery	300.0000	300.00	0.00	744.00	744.00	0.00	4.00	2.00	
351	353	R1331	456	L.A. County Dept. of Parks & Rec.	5041 East 1st Street	Los Angeles	90022	Ri	1	0	NA	280.0000	280.00	0.00	694.40	694.40	0.00	4.00	2.00	
566	569	R1413	498	Friendly Hills Country Club	8500 S Villaverde Dr	Whittier	90603	Ri	1	0	Golf Course	248.0000	248.00	0.00	615.04	615.04	0.00	4.00	2.00	
358	360	R1348	465	Los Angeles Cnty / Commerce Refuse	5900 Sheila Street	Commerce	90040	Ri	0	1	NA	245.0000	245.00	0.00	303.80	303.80	0.00	4.00	2.00	
577	580	R1421	506	La Mirada Golf Course	15501 E Alicante Rd	La Mirada	90638	Ri	1	0	Golf Course	216.0000	216.00	0.00	535.68	535.68	0.00	4.00	2.00	
16	16	C0038	17	Rio Hondo Golf Course	10627 S. Old River School Rd	Downey	90241	Ce	1	0	Golf Course	200.0000	200.00	0.00	496.00	496.00	0.00	4.00	2.00	
852	856	C1087	129	Metropolitan State Hospital	Volunteer Ave & Cyclops St	Norwalk	90625	Ce	1	0	Landscape	200.0000	200.00	0.00	496.00	496.00	0.00	4.00	2.00	
184	184	R0772	264	Fred Nelles School	11850 East Whittier Boulevard	Whittier	90601	Ri	1	0	School	75.0000	180.00	0.00	446.40	446.40	0.00	4.00	2.00	
606	609	R1329	455	Orowheat Baking Company	480 South Vail Avenue	Montebello	90640	Ri	1	0	NA	158.0000	158.00	0.00	391.84	391.84	0.00	4.00	2.00	
11	11	C0020	11	Hollydale Park	Monroe Ave & Idaho Ave	South Gate	90280	Ce	1	0	Park	150.0000	150.00	0.00	372.00	372.00	0.00	4.00	2.00	
535	538	R0879	296	Pico Rivera Municipal Golf Course	3260 Fairway Drive	Pico Rivera	90660	Ri	1	0	Golf Course	150.0000	150.00	0.00	372.00	372.00	0.00	4.00	2.00	
235	235	R0662	234	Belvedere Park	4914 E. Brooklyn Ave.	Los Angeles	90040	Ri	1	0	Park	138.0000	138.00	0.00	342.24	342.24	0.00	4.00	2.00	
45	45	C0098	48	Caltrans I-710 & I-105	I-710 & I 105	Lynwood	90260	Ce	1	0	Caltrans	136.0000	136.00	0.00	337.28	337.28	0.00	4.00	2.00	
552	555	R1422	507	Biola University	13800 Biola Ave	La Mirada	90638	Ri	1	0	Landscape	134.0000	134.00	0.00	332.32	332.32	0.00	4.00	2.00	
70	70	C0234	77	Caltrans Foster & Behrans	I-605 & I 105	Norwalk		Ce	1	0	Caltrans	130.0000	130.00	0.00	322.40	322.40	0.00	4.00	2.00	
555	558	R1433	517	California High School	9800 S. Mills Ave	Whittier	90604	Ri	1	0	School	130.0000	130.00	0.00	322.40	322.40	0.00	4.00	2.00	
870	874	R1200	357	Whittier College	13406 East Philadelphia Street	Whittier	90608	Ri	1	0	School	120.0000	120.00	0.00	297.60	297.60	0.00	4.00	2.00	
42	42	C0088	44	Andy's Nursery	Nichols St & Carfax Ave.	Bellflower		Ce	1	0	Nursery	110.0000	110.00	0.00	272.80	272.80	0.00	4.00	2.00	
615	618	R1277	415	Ultra Pure Water Demineralized	7777 Industry Ave.	Pico Rivera	90660	Ri	1	0	NA	108.3000	108.30	0.00	268.58	268.58	0.00	4.00	2.00	
14	14	C0034	15	South Gate Park	4900 Southern Ave	South Gate	90280	Ce	1	0	Park	100.0000	100.00	0.00	124.00	124.00	0.00	4.00	2.00	
546	549	R0959	320	Caltrans I-710 & 60 Hwy	I-710 & Hwy 60	Los Angeles		Ri	1	0	Caltrans	98.0000	98.00	0.00	243.04	243.04	0.00	4.00	2.00	
236	236	R0663	235	Obregon Park	4021 E. First Street	Los Angeles	90040	Ri	1	0	Park	96.0000	96.00	0.00	238.08	238.08	0.00	4.00	2.00	
181	181	R0661	233	City Terrace Park	1126 N. Hazard Avenue	Los Angeles	90040	Ri	1	0	Park	85.0000	85.00	0.00	210.80	210.80	0.00	4.00	2.00	
752	755	R0755	259	East Los Angeles Junior College	1301 Brooklyn	Monterey Park	91754	Ri	1	0	School	85.0000	85.00	0.00	210.80	210.80	0.00	4.00	2.00	
39	39	C0081	41	Abbot School	5260 E. Clark St.	Lynwood	90262	Ce	1	0	School	80.0000	80.00	0.00	198.40	198.40	0.00	4.00	2.00	
51	51	C0106	55	Caltrans I-105 & Lakewood	I-105 & Lakewood Blvd.	Downey	90241	Ce	1	0	Caltrans	80.0000	80.00	0.00	198.40	198.40	0.00	4.00	2.00	
55	55	C0110	59	John Ford Golf Course	Gilliland Ave & Park Lane	Bell Gardens	90201	Ce	1	0	Golf Course	80.0000	80.00	0.00	198.40	198.40	0.00	4.00	2.00	
814	817	R1414	499	Sierra Vista High School	9401 S. Painter Ave	Whittier	90605	Ri	1	0	School	76.0000	76.00	0.00	188.48	188.48	0.00	4.00	2.00	
36	36	C0070	38	Bellflower Golf & Tennis	9030 Compton Blvd	Bellflower	90706	Ce	1	0	Golf Course	70.0000	70.00	0.00	173.60	173.60	0.00	4.00	2.00	
37	37	C0073	39	Bellflower High School	15301 S McNab Ave	Bellflower	90706	Ce	1	0	School	70.0000	70.00	0.00	173.60	173.60	0.00	4.00	2.00	
50	50	C0105	54	Caltrans I-105 & Bellflower	I-105 & Bellflower Blvd.	Downey	90241	Ce	1	0	Caltrans	70.0000	70.00	0.00	173.60	173.60	0.00	4.00	2.00	
78	78	C0253	86	Caltrans Foster & Flatbush	Foster & Flatbush	Norwalk		Ce	1	0	Caltrans	70.0000	70.00	0.00	173.60	173.60	0.00	4.00	2.00	
194	194	R0721	254	California Commerce Club	6131 East Telegraph Rd.	Commerce	90040	Ri	1	0	Landscape	70.0000	70.00	0.00	173.60	173.60	0.00	4.00	2.00	
547	550	R0960	321	Caltrans I-710 & I-10	I-710 & I 10	Monterey Park		Ri	1	0	Caltrans	70.0000	70.00	0.00	173.60	173.60	0.00	4.00	2.00	
147	147	R0414	186	Heritage Corporation Center	10350 Heritage Park Drive	Santa Fe Springs	90670	Ri	1	0	Landscape	69.0000	69.00	0.00	171.12	171.12	0.00	4.00	2.00	
851	855	C1086	128	Excelsior High School	Cheshire St & Pioneer Blvd	Norwalk	90625	Ce	1	0	School	61.0000	61.00	0.00	151.28	151.28	0.00	4.00	2.00	
67	67	C0228	74	John Glenn High School	13520 Shoemaker Ave.	Norwalk	90650	Ce	1	0	School	60.0000	60.00	0.00	148.80	148.80	0.00	4.00	2.00	
3	3	C0008	3	Alondra Junior High School	16200 Downey Ave	Paramount		Ce	1	0	School	58.0000	58.00	0.00	143.84	143.84	0.00	4.00	2.00	
597	600	R1434	518	Rancho Starbuck School	16430 Woodbrier Dr	Whittier	90604	Ri	1	0	School	58.0000	58.00	0.00	143.84	143.84	0.00	4.00	2.00	
581	584	R1412	497	La Serna High School	15301 Youngwood Dr	Whittier	90604	Ri	1	0	School	57.0000	57.00	0.00	141.36	141.36	0.00	4.00	2.00	
880	884	R1415	500	Summit Group	14831 Whittier Blvd	Whittier	90605	Ri	1	0	Property Mgt	56.0000	56.00	0.00	138.88	138.88	0.00	4.00	2.00	
186	186	R0678	241	Grant Rea Memorial Park	600 Rea Drive	Montebello	90640	Ri	1	0	Park	52.0000	52.00	0.00	128.96	128.96	0.00	4.00	2.00	
6	6	C0013	6	Compton Golf Course	6400 Somerset Blvd.	Compton	90220	Ce	1	0	Golf Course	50.0000	50.00	0.00	124.00	124.00	0.00	4.00	2.00	
253	254	R1005	336	Caltrans I-605 & Beverly	I-605 & Beverly Blvd	Whittier	90660	Ri	1	0	Caltrans	50.0000	50.00	0.00	124.00	124.00	0.00	4.00	2.00	
677	680	R2061	602	Central Park Apts	9050 Carron Dr	Pico Rivera	90660	Ri	1	0	Apartment	48.0000	48.00	0.00	119.04	119.04	0.00	4.00	2.00	
866	870	C0413	98	Santa Fe Springs Athletic Fields	Millergrove Dr & Jersey Ave	Santa Fe Springs	90670	Ce	1	0	Landscape	47.0000	47.00	0.00	116.56	116.56	0.00	4.00	2.00	
861	865	C1096	138	Southern Reception Center	13200 S Bloomfield Ave	Norwalk	90625	Ce	1	0	Landscape	46.0000	46.00	0.00	114.08	114.08	0.00	4.00	2.00	

Central Basin Municipal Water District - Existing Database (Final from S. Surbey 12/16/99)

User	User									TTLAVG	IRRAVG	INDAVG	TTLPK	IRRPK	INDPK	IRRPK	INDPK			
Pro.	Pro.	ID	NAME	NAME2	USER_NAME	ADDRESS	CITY	ZIP	Pr	IRR	IND	IRRIG_TYPE	AFY	AFY	AFY	GPM	GPM	GPM	FCTR	FCTR
274	276	R1206	363	Bonelli Center		6925 Salt Lake Avenue	Huntington Park	90255	Ri	1	0	Landscape	20.0000	45.00	0.00	111.60	111.60	0.00	4.00	2.00
766	769	R1362	475	Saybrook Park		6300 E Olympic Blvd	East Los Angeles	90022	Ri	1	0	Park	45.0000	45.00	0.00	111.60	111.60	0.00	4.00	2.00
17	17	C0040	18	East Junior High School		10301 S. Woodruff Ave	Downey	90241	Ce	1	0	School	44.0000	44.00	0.00	109.12	109.12	0.00	4.00	2.00
72	72	C0236	79	Norwalk High School		11356 Leffingwell	Norwalk	90650	Ce	1	0	School	44.0000	44.00	0.00	109.12	109.12	0.00	4.00	2.00
5	5	C0012	5	Dominguez High School		604 S. Tamarind Avenue	Compton	90220	Ce	1	0	School	42.0000	42.00	0.00	104.16	104.16	0.00	4.00	2.00
611	614	R1272	410	Mobile Home Park		8509 Beverly Blvd.	Pico Rivera	90660	Ri	1	0	NA	41.3000	41.30	0.00	102.42	102.42	0.00	4.00	2.00
738	741	R2122	663	Rivera Elementary School		7250 Citronell Ave	Pico Rivera	90660	Ri	1	0	School	41.0000	41.00	0.00	101.68	101.68	0.00	4.00	2.00
18	18	C0041	19	West Junior High School		11985 Old River School Rd.	Downey	90242	Ce	1	0	School	40.0000	40.00	0.00	99.20	99.20	0.00	4.00	2.00
32	32	C0065	34	Paramount Junior High School		14708 S. Paramount Blvd.	Paramount	90723	Ce	1	0	Park	40.0000	40.00	0.00	99.20	99.20	0.00	4.00	2.00
43	43	C0091	46	Avila Nursery		10040 Imperial Hwy	Downey	90241	Ce	1	0	Nursery	40.0000	40.00	0.00	99.20	99.20	0.00	4.00	2.00
76	76	C0246	0	ABC Nursery/Paramount		7132 Somerset	Paramount		Ce	1	0	Nursery	40.0000	40.00	0.00	99.20	99.20	0.00	4.00	2.00
764	767	C0251	84	Pacific Nursery		6017501 Texaco Ave & Motz St	Paramount		Ce	1	0	Nursery	40.0000	40.00	0.00	99.20	99.20	0.00	4.00	2.00
183	183	R0793	270	Home of Peace Memorial		4334 Whittier Blvd.	Los Angeles	90023	Ri	1	0	Cemetery	40.0000	40.00	0.00	99.20	99.20	0.00	4.00	2.00
269	271	R1201	358	Huntington Park Sports Complex		Salt Lake Ave & Florence Ave	Huntington Park	90255	Ri	1	0	Park	40.0000	40.00	0.00	99.20	99.20	0.00	4.00	2.00
291	293	R1227	381	The Times Mirror Co.		2000 E. 8th St.	Los Angeles	90021	Ri	1	0	NA	40.0000	40.00	0.00	99.20	99.20	0.00	4.00	2.00
318	320	R1278	416	So. Cal. Gas Co.		8101 Rosemead Blvd.	Pico Rivera		Ri	1	0	NA	40.0000	40.00	0.00	99.20	99.20	0.00	4.00	2.00
565	568	R1432	516	El Camino High School		14640 Mercado Ave	La Mirada	90638	Ri	1	0	School	38.0000	38.00	0.00	94.24	94.24	0.00	4.00	2.00
571	574	R1437	521	Granada Middle School		14421 E. Whittier Blvd	Whittier	90604	Ri	1	0	School	37.0000	37.00	0.00	91.76	91.76	0.00	4.00	2.00
31	31	C0064	33	Paramount Park		14410 Paramount Blvd	Paramount	90723	Ce	1	0	Park	36.0000	36.00	0.00	89.28	89.28	0.00	4.00	2.00
56	56	C0111	60	Caltrans I-710 & Rosecrans		I-710 & Rosecrans Avenue	Paramount		Ce	1	0	Caltrans	36.0000	36.00	0.00	89.28	89.28	0.00	4.00	2.00
860	864	C1095	137	Norwalk Park		12203 Sproul St	Norwalk	90625	Ce	1	0	Park	36.0000	36.00	0.00	89.28	89.28	0.00	4.00	2.00
879	883	C0056	28	St. John Bosco High School		13640 Bellflower Blvd	Bellflower	90706	Ce	1	0	School	35.0000	35.00	0.00	86.80	86.80	0.00	4.00	2.00
132	132	R0310	171	Katherine Edwards School		6812 S. Norwalk Boulevard	Whittier	90660	Ri	1	0	School	35.0000	35.00	0.00	86.80	86.80	0.00	4.00	2.00
309	311	R1249	401	Streamland Park		Kruse Road and Durfee Avenue	Pico Rivera		Ri	1	0	Park	35.0000	35.00	0.00	86.80	86.80	0.00	4.00	2.00
765	768	R1376	483	Park Lawn Cemetery		6555 Gage Ave	Commerce	90040	Ri	1	0	Cemetery	35.0000	35.00	0.00	86.80	86.80	0.00	4.00	2.00
349	351	R1325	453	John Kelly Stumpus		3809 Brooklyn Avenue	Los Angeles	90063	Ri	1	0	NA	34.0000	34.00	0.00	84.32	84.32	0.00	4.00	2.00
23	23	C0051	24	Columbus High School		12330 S. Woodruff Ave.	Downey	90241	Ce	1	0	School	33.0000	33.00	0.00	81.84	81.84	0.00	4.00	2.00
180	180	R0650	230	Ashiya Park		W. Beverly Bl. & Via Altamira	Montebello	90640	Ri	1	0	Park	33.0000	33.00	0.00	81.84	81.84	0.00	4.00	2.00
202	202	R0681	243	Montebello City Park		1300 Whittier Blvd.	Montebello	90640	Ri	1	0	Park	33.0000	33.00	0.00	81.84	81.84	0.00	4.00	2.00
332	334	R1299	433	Bell Gardens Manor		8424 Eastern Avenue	Bell Gardens	90201	Ri	1	0	NA	33.0000	33.00	0.00	81.84	81.84	0.00	4.00	2.00
20	20	C0047	21	South Junior High School		12500 Birchdale	Downey	90241	Ce	1	0	School	32.0000	32.00	0.00	79.36	79.36	0.00	4.00	2.00
188	188	R0683	245	Rhone Poulene, Inc.		4690 Worth Street	Los Angeles	90063	Ri	1	0	NA	32.0000	32.00	0.00	79.36	79.36	0.00	4.00	2.00
244	244	R0970	326	Rivera Park		9530 Shade Lane	Pico Rivera	90660	Ri	1	0	Park	32.0000	32.00	0.00	79.36	79.36	0.00	4.00	2.00
297	299	R1234	388	City of L.A. Dept of Parks & Rec.		345 E. 51st St.	Los Angeles	90011	Ri	1	0	NA	32.0000	32.00	0.00	79.36	79.36	0.00	4.00	2.00
789	792	R2220	685	Suva Intermediate School		6660 E. Suva St.	Bell Gardens	90201	Ri	1	0	School	32.0000	32.00	0.00	2.48	2.48	0.00	4.00	2.00
26	26	C0054	27	Lewis High School		13220 Bellflower Blvd.	Downey	90242	Ce	1	0	School	31.0000	31.00	0.00	76.88	76.88	0.00	4.00	2.00
28	28	C0058	30	Carpenter School		9439 E. Foster Rd.	Downey	90241	Ce	1	0	School	31.0000	31.00	0.00	76.88	76.88	0.00	4.00	2.00
187	187	R0679	242	Acuna Park		1700 West Victoria Avenue	Montebello	90640	Ri	1	0	Park	31.0000	31.00	0.00	76.88	76.88	0.00	4.00	2.00
10	10	C0019	10	Hollydale School		5511 Century Blvd.	South Gate	90280	Ce	1	0	School	30.0000	30.00	0.00	74.40	74.40	0.00	4.00	2.00
15	15	C0035	16	Rio San Gabriel School		9338 E Gotham St	Downey	90241	Ce	1	0	School	30.0000	30.00	0.00	74.40	74.40	0.00	4.00	2.00
52	52	C0107	56	Banana Dills Park		6600 Rosecrans Ave.	Paramount		Ce	1	0	Park	30.0000	30.00	0.00	74.40	74.40	0.00	4.00	2.00
921	921	C2019	0	Furman Park		10419 Rives Ave	Downey	90241	Ce	1	0	Park	30.0000	30.00	0.00	0.00	0.00	0.00	4.00	2.00
136	136	R0350	175	Dexter School		11532 Floral Drive	Whittier	90660	Ri	1	0	School	30.0000	30.00	0.00	74.40	74.40	0.00	4.00	2.00
199	199	R0760	261	El Rancho High School		6501 Passons Blvd.	Pico Rivera	90660	Ri	1	0	School	30.0000	30.00	0.00	74.40	74.40	0.00	4.00	2.00
532	535	R0824	285	El Rancho Adult School		6501 S. Passons Blvd	Pico Rivera	90660	Ri	1	0	School	30.0000	30.00	0.00	74.40	74.40	0.00	4.00	2.00
534	537	R0836	288	Montebello High School		2100 West Cleveland Avenue	Montebello	90640	Ri	1	0	School	30.0000	30.00	0.00	74.40	74.40	0.00	4.00	2.00
298	300	R1235	389	Caltrans		1051 Euclid Ave.	Los Angeles	90023	Ri	1	0	Caltrans	30.0000	30.00	0.00	74.40	74.40	0.00	4.00	2.00
313	315	R1253	405	Burke Jr. High		8101 Orange Ave.	Pico Rivera		Ri	1	0	School	30.0000	30.00	0.00	74.40	74.40	0.00	4.00	2.00
768	771	R1377	484	Veteran's Memorial Park		6364 Zindell Ave	Commerce	90040	Ri	1	0	Park	30.0000	30.00	0.00	74.40	74.40	0.00	4.00	2.00
574	577	R1438	522	Hillview Middle School		10931 S Stamy Rd	Whittier	90604	Ri	1	0	School	30.0000	30.00	0.00	74.40	74.40	0.00	4.00	2.00
875	879	R2248	936	Savage Canyon Landfill		13919 E. Penn St	Whittier	90601	Ri	1	0	Landfill	30.0000	30.00	0.00	74.40	74.40	0.00	4.00	2.00
9	9	C0016	9	Spane Park		Rosecrans & Gundry Ave	Paramount	90723	Ce	1	0	Park	29.0000	29.00	0.00	71.92	71.92	0.00	4.00	2.00

Central Basin Municipal Water District - Existing Database (Final from S. Surbey 12/16/99)

User	User									TTLAVG	IRRAVG	INDAVG	TTLPK	IRRPK	INDPK	IRRPK	INDPK			
Pro.	Pro.	ID	NAME	NAME2	USER_NAME	ADDRESS	CITY	ZIP	Pr	IRR	IND	IRRIG_TYPE	AFY	AFY	AFY	GPM	GPM	GPM	FCTR	FCTR
63	63	C0205	70	Adult School	14800 S. Jersey	Norwalk	90650	Ce	1	0	School	29.0000	29.00	0.00	71.92	71.92	0.00	4.00	2.00	
545	548	R0956	318	Humphrey's Ave. School	500 South Humphreys Avenue	Los Angeles	90022	Ri	1	0	School	29.0000	29.00	0.00	71.92	71.92	0.00	4.00	2.00	
69	69	C0233	76	Wilderness Park	10999 Little Lake Blvd	Downey	90241	Ce	1	0	Park	28.0000	28.00	0.00	69.44	69.44	0.00	4.00	2.00	
726	729	R2110	651	Manning Beef Products	9531 Beverly Rd	Pico Rivera	90660	Ri	1	0	NA	28.0000	28.00	0.00	69.44	69.44	0.00	4.00	2.00	
610	613	R1271	409	Mobile Home Park	4139 Paramount Blvd.	Pico Rivera	90660	Ri	1	0	NA	27.2000	27.20	0.00	67.46	67.46	0.00	4.00	2.00	
74	74	C0238	81	Norwalk Golf Course	13717 S. Shoemaker Ave	Norwalk	90650	Ce	1	0	Golf Course	27.0000	27.00	0.00	66.96	66.96	0.00	4.00	2.00	
81	81	C0260	90	Santa Fe High School	10400 S. Orr and Day Rd.	Santa Fe Springs	90670	Ce	1	0	School	27.0000	27.00	0.00	66.96	66.96	0.00	4.00	2.00	
100	100	C1007	115	Artesia High School	12108 E. Del Amo Blvd.	Lakewood	90715	Ce	1	0	School	27.0000	27.00	0.00	66.96	66.96	0.00	4.00	2.00	
536	539	R0900	298	Huntington Park High School	6020 Miles Avenue	Huntington Park	90255	Ri	1	0	School	27.0000	27.00	0.00	66.96	66.96	0.00	4.00	2.00	
242	242	R0967	324	Rio Hondo Park	4632 Orange Street	Pico Rivera	90660	Ri	1	0	Park	27.0000	27.00	0.00	66.96	66.96	0.00	4.00	2.00	
578	581	R1429	513	La Mirada High School	13520 S Adelfa Dr	La Mirada	90638	Ri	1	0	School	27.0000	27.00	0.00	66.96	66.96	0.00	4.00	2.00	
68	68	C0232	75	Vista Verde Park	McRae Av & Ratliffe St	Norwalk	90650	Ce	1	0	Park	26.0000	26.00	0.00	64.48	64.48	0.00	4.00	2.00	
79	79	C0258	88	Lake Center School	Florence Ave & Pioneer Blvd	Santa Fe Springs	90670	Ce	1	0	School	26.0000	26.00	0.00	64.48	64.48	0.00	4.00	2.00	
30	30	C0060	32	Ward Elementary School	8851 E. Adorre	Downey	90241	Ce	1	0	School	25.0000	25.00	0.00	62.00	62.00	0.00	4.00	2.00	
59	59	C0116	64	Caltrans I-710 & M.L. King	5465 Century Blvd.	Lynwood	90262	Ce	1	0	Caltrans	25.0000	25.00	0.00	62.00	62.00	0.00	4.00	2.00	
855	859	C1090	132	Nettie Waite Elementary School	14320 S. Norwalk Blvd	Norwalk	90625	Ce	1	0	School	25.0000	25.00	0.00	62.00	62.00	0.00	4.00	2.00	
241	241	R0467	194	Saint Paul High School	9635 South Greenleaf Avenue	Santa Fe Springs	90670	Ri	1	0	School	25.0000	25.00	0.00	62.00	62.00	0.00	4.00	2.00	
757	760	R0801	273	Kold Kist, Inc.	5329 E. Washington Blvd.	Commerce	90040	Ri	1	0	NA	25.0000	25.00	0.00	62.00	62.00	0.00	4.00	2.00	
596	599	R0883	297	Pico Park	Sandoval & Belverly Blvd	Pico Rivera	90660	Ri	1	0	Park	25.0000	25.00	0.00	62.00	62.00	0.00	4.00	2.00	
304	306	R1243	396	Caltrans	2501 Marengo St.	Los Angeles	90033	Ri	1	0	Caltrans	25.0000	25.00	0.00	62.00	62.00	0.00	4.00	2.00	
346	348	R1321	450	New Crow	5757 Peachtree Street	Commerce	90040	Ri	1	0	Property Mgt	25.0000	25.00	0.00	62.00	62.00	0.00	4.00	2.00	
745	748	R1372	480	Bell Gardens Park	6662 Loveland St	Bell Gardens	90201	Ri	1	0	Park	25.0000	25.00	0.00	62.00	62.00	0.00	4.00	2.00	
762	765	R1374	481	Mt. Carmel Cemetery	6501 E. Gage Ave	Commerce	90040	Ri	1	0	Cemetery	25.0000	25.00	0.00	62.00	62.00	0.00	4.00	2.00	
669	672	R2053	594	Colonial Gardens	7246 Rosemead Blvd	Pico Rivera	90660	Ri	1	0	Apartment	25.0000	25.00	0.00	62.00	62.00	0.00	4.00	2.00	
29	29	C0059	31	Old Downey Cemetery	9073 E Gardendale Ave	Downey	90242	Ce	1	0	Cemetery	24.0000	24.00	0.00	59.52	59.52	0.00	4.00	2.00	
40	40	C0083	42	Whaley High School	604 S. Tamarind Avenue	Compton	90220	Ce	1	0	School	24.0000	24.00	0.00	59.52	59.52	0.00	4.00	2.00	
65	65	C0220	72	Zimmerman Park	13031 S. Shoemaker Ave.	Norwalk	90651	Ce	1	0	Park	24.0000	24.00	0.00	59.52	59.52	0.00	4.00	2.00	
84	84	C0263	93	Little Lake Cemetery	11959 Lakeland Rd	Santa Fe Springs	90670	Ce	1	0	Cemetery	23.0000	23.00	0.00	57.04	57.04	0.00	4.00	2.00	
127	127	R0265	166	Heritage Park	12100 Mora Drive	Santa Fe Springs	90670	Ri	1	0	Landscape	23.0000	23.00	0.00	57.04	57.04	0.00	4.00	2.00	
537	540	R0905	299	Smith Park	6016 Rosemead Blvd.	Pico Rivera	90660	Ri	1	0	Park	23.0000	23.00	0.00	57.04	57.04	0.00	4.00	2.00	
245	245	R0972	327	Sorenson Park	11419 Rosehedge Drive	County of L.A.	90606	Ri	1	0	Park	23.0000	23.00	0.00	57.04	57.04	0.00	4.00	2.00	
306	308	R1245	398	Caltrans	1051 Marietta St.	Los Angeles	90023	Ri	1	0	Caltrans	23.0000	23.00	0.00	57.04	57.04	0.00	4.00	2.00	
563	566	R1419	504	East Whittier Middle School	14421 E Whittier Blvd	Whittier	90605	Ri	1	0	School	23.0000	23.00	0.00	57.04	57.04	0.00	4.00	2.00	
13	13	C0025	14	Ernie Pyle Elementary School	14500 S Woodruff Ave	Bellflower	90706	Ce	1	0	School	22.0000	22.00	0.00	54.56	54.56	0.00	4.00	2.00	
339	341	R1309	440	So. Cal. Rapid Transit District	1130 East 6th Street	Los Angeles	90021	Ri	1	0	NA	22.0000	22.00	0.00	54.56	54.56	0.00	4.00	2.00	
651	654	R2035	576	Newkirk Management	8615 Whittier Blvd	Pico Rivera	90660	Ri	1	0	Property Mgt	22.0000	22.00	0.00	54.56	54.56	0.00	4.00	2.00	
709	712	R2093	634	Tcy Investment Gp 1	9021 Beverly Rd	Pico Rivera	90660	Ri	1	0	Property Mgt	22.0000	22.00	0.00	54.56	54.56	0.00	4.00	2.00	
612	615	R1270	408	Mobile Park	4104 Paramount Blvd.	Pico Rivera	90660	Ri	1	0	NA	21.7000	21.70	0.00	53.82	53.82	0.00	4.00	2.00	
570	573	R1427	511	Gardenhill School	14607 E Gardenhill	La Mirada	90638	Ri	1	0	School	21.0000	21.00	0.00	52.08	52.08	0.00	4.00	2.00	
21	21	C0049	22	Independence Park	12334 S. Bellflower Blvd	Downey	90241	Ce	1	0	Park	20.0000	20.00	0.00	49.60	49.60	0.00	4.00	2.00	
33	33	C0066	35	Paramount High School	14429 Downey Ave	Paramount		Ce	1	0	School	20.0000	20.00	0.00	49.60	49.60	0.00	4.00	2.00	
46	46	C0100	49	Ham Park	5300 Century Blvd.	Lynwood	90262	Ce	1	0	Park	20.0000	20.00	0.00	49.60	49.60	0.00	4.00	2.00	
769	772	C0255	87	White Flower Nursery	7145 Alondra Blvd	Paramount		Ce	1	0	Nursery	20.0000	20.00	0.00	49.60	49.60	0.00	4.00	2.00	
80	80	C0259	89	Paradise Memorial Park	11541 E. Florence Ave	Santa Fe Springs	90670	Ce	1	0	Park	20.0000	20.00	0.00	49.60	49.60	0.00	4.00	2.00	
82	82	C0261	91	Lakeview Park	Jersey Ave & Joslin St	Santa Fe Springs	90670	Ce	1	0	Park	10.0000	20.00	0.00	49.60	49.60	0.00	4.00	2.00	
869	873	C0518	105	Los Nietos Park	11143 Charlesworth Rd	Santa Fe Springs	90670	Ce	1	0	Park	20.0000	20.00	0.00	0.00	0.00	0.00	4.00	2.00	
831	834	C2000	145	John Ford Park	8000 S. Scout Ave	Bell Gardens	90201	Ce	1	0	Park	20.0000	20.00	0.00	49.60	49.60	0.00	4.00	2.00	
916	920	C2016	0	Simms Park	16614 S. Clark Ave	Bellflower	90706	Ri	1	0	Park	20.0000	20.00	0.00	0.00	0.00	0.00	4.00	2.00	
560	563	R0601	207	Cudahy City Park	5200 Santa Ana St	Cudahy	90201	Ri	1	0	Park	20.0000	20.00	0.00	49.60	49.60	0.00	4.00	2.00	
755	758	R0638	220	Horizon Growers	9918 Springfield Drive	Whittier	90660	Ri	1	0	Nursery	20.0000	20.00	0.00	49.60	49.60	0.00	4.00	2.00	
232	232	R0675	238	Rodriguez Park	Mines Ave & 4th St.	Montebello	90640	Ri	1	0	Park	20.0000	20.00	0.00	49.60	49.60	0.00	4.00	2.00	
214	214	R0714	252	Belvedere Middle School	312 Record Avenue	Los Angeles	90063	Ri	1	0	School	20.0000	20.00	0.00	49.60	49.60	0.00	4.00	2.00	

Central Basin Municipal Water District - Existing Database (Final from S. Surbey 12/16/99)

User	User									TTLAVG	IRRAVG	INDAVG	TTLPK	IRRPK	INDPK	IRRPK	INDPK			
Pro.	Pro.	ID	NAME	NAME2	USER_NAME	ADDRESS	CITY	ZIP	Pr	IRR	IND	IRRIG_TYPE	AFY	AFY	AFY	GPM	GPM	GPM	FCTR	FCTR
185	185	R0775	265	Griffith Middle School	4765 East Fourth Street	Los Angeles	90022	Ri	1	0	School	20.0000	20.00	0.00	49.60	49.60	0.00	4.00	2.00	
210	210	R0817	280	Edward Roybal Comp. Health Center	245 S. Fetterly Ave.	Los Angeles	90022	Ri	1	0	Hospital	20.0000	20.00	0.00	49.60	49.60	0.00	4.00	2.00	
533	536	R0835	287	Montebello Intermediate School	1600 Whittier Blvd.	Montebello	90640	Ri	1	0	School	20.0000	20.00	0.00	49.60	49.60	0.00	4.00	2.00	
229	229	R0945	309	Rivera Junior High School	7200 Citronell Ave	Pico Rivera	90660	Ri	1	0	School	20.0000	20.00	0.00	49.60	49.60	0.00	4.00	2.00	
230	230	R0946	310	Stevenson Middle School	725 South Indiana Street	Los Angeles	90023	Ri	1	0	School	20.0000	20.00	0.00	49.60	49.60	0.00	4.00	2.00	
234	234	R0951	314	Ramona High School	231 South Alma Avenue	Los Angeles	90063	Ri	1	0	School	20.0000	20.00	0.00	49.60	49.60	0.00	4.00	2.00	
541	544	R0954	316	City Terrace School	4350 City Terrance Drive	Los Angeles	90063	Ri	1	0	School	20.0000	20.00	0.00	49.60	49.60	0.00	4.00	2.00	
548	551	R0963	322	Eastman Junior High School	1266 South Gage Avenue	Los Angeles	90023	Ri	1	0	School	20.0000	20.00	0.00	49.60	49.60	0.00	4.00	2.00	
850	854	R1209	366	Salt Lake Municipal Park	Newell St & Saturn Ave	Huntington Park		Ri	1	0	Park	20.0000	20.00	0.00	49.60	49.60	0.00	4.00	2.00	
319	321	R1279	417	Rivera Nursing Home	8203 Telegraph Rd.	Pico Rivera		Ri	1	0	Landscape	20.0000	20.00	0.00	49.60	49.60	0.00	4.00	2.00	
744	747	R1370	479	Bell Gardens High School	6119 Agra St	Bell Gardens	90201	Ri	1	0	School	20.0000	20.00	0.00	49.60	49.60	0.00	4.00	2.00	
732	735	R2116	657	Rio Vista Elementary School	8809 Coffman Pico Rd	Pico Rivera	90660	Ri	1	0	School	19.6000	19.60	0.00	48.61	48.61	0.00	4.00	2.00	
66	66	C0227	73	Hargitt Elementary School	12940 E. Foster Rd.	Norwalk	90650	Ce	1	0	School	19.0000	19.00	0.00	47.12	47.12	0.00	4.00	2.00	
856	860	C1091	133	John Dolland School	15021 S Bloomfield Ave	Norwalk	90625	Ce	1	0	School	19.0000	19.00	0.00	47.12	47.12	0.00	4.00	2.00	
220	220	R0677	240	Montebello City Hall	1600 West Beverly Blvd.	Montebello	90640	Ri	1	0	Landscape	19.0000	19.00	0.00	47.12	47.12	0.00	4.00	2.00	
333	335	R1300	434	Bell Gardens Convention Center	5646 Gotham St	Bell Gardens	90201	Ri	1	0	NA	19.0000	19.00	0.00	47.12	47.12	0.00	4.00	2.00	
564	567	R1431	515	Eastwood School	15730 Pescados Dr	La Mirada	90638	Ri	1	0	School	19.0000	19.00	0.00	47.12	47.12	0.00	4.00	2.00	
8	8	C0015	8	Los Cerritos School	14626 Gundry	Paramount	90723	Ce	1	0	School	18.0000	18.00	0.00	44.64	44.64	0.00	4.00	2.00	
25	25	C0053	26	Zinn Park	Carfax Av & Foster Rd.	Bellflower	90706	Ce	1	0	Park	18.0000	18.00	0.00	44.64	44.64	0.00	4.00	2.00	
146	146	R0413	185	Fedco Incorporated	9300 Santa Fe Springs Road	Santa Fe Springs	90670	Ri	1	0	Landscape	18.0000	18.00	0.00	44.64	44.64	0.00	4.00	2.00	
189	189	R0700	247	Bell High School	4328 Bell Avenue	Bell	90201	Ri	1	0	School	18.0000	18.00	0.00	44.64	44.64	0.00	4.00	2.00	
582	585	R1417	502	Laurel School	13550 E Lambert Rd	Whittier	90605	Ri	1	0	School	18.0000	18.00	0.00	44.64	44.64	0.00	4.00	2.00	
580	583	R1430	514	La Pluma School	14420 La Pluma Dr	La Mirada	90638	Ri	1	0	School	18.0000	18.00	0.00	44.64	44.64	0.00	4.00	2.00	
772	775	R2201	668	Bristow Park	1466 S McDonnell Ave	Commerce	90022	Ri	1	0	Park	18.0000	18.00	0.00	44.64	44.64	0.00	4.00	2.00	
57	57	C0112	61	Caltrans I-710 & Imperial	I-710 & Imperial Hwy	Lynwood	90262	Ce	1	0	Caltrans	17.0000	17.00	0.00	42.16	42.16	0.00	4.00	2.00	
71	71	C0235	78	Corvallis School	11032 E. Leffingwell	Norwalk	90650	Ce	1	0	School	17.0000	17.00	0.00	42.16	42.16	0.00	4.00	2.00	
853	857	C1088	130	Norwalk Civic Center	Avd Manuel Salinas & Imperial	Norwalk	90625	Ce	1	0	Landscape	17.0000	17.00	0.00	42.16	42.16	0.00	4.00	2.00	
134	134	R0330	173	Franklin School	5777 Lockheed Ave	Whittier	90660	Ri	1	0	School	17.0000	17.00	0.00	42.16	42.16	0.00	4.00	2.00	
754	757	R0676	239	Holifield Park	Wheatstone Ave & Excelsoir Dr	Norwalk	90650	Ri	1	0	Park	17.0000	17.00	0.00	42.16	42.16	0.00	4.00	2.00	
24	24	C0052	25	Rio San Gabriel Park	9612 E. Ardine	Downey	90241	Ce	1	0	Park	16.0000	16.00	0.00	39.68	39.68	0.00	4.00	2.00	
41	41	C0087	43	Belloso Farms - Bellflower	10503 E Rosecrans Ave.	Bellflower		Ce	1	0	Nursery	16.0000	16.00	0.00	34.72	34.72	0.00	4.00	2.00	
888	892	C2007	942	Price Elementary School	9525 Tweedy St	Downey	90241	Ce	1	0	School	16.0000	16.00	0.00	2.48	2.48	0.00	4.00	2.00	
892	896	C2011	946	Griffith Elementary School	9633 Tweedy Lane	Downey	90240	Ce	1	0	School	16.0000	16.00	0.00	2.48	2.48	0.00	4.00	2.00	
138	138	R0370	177	Founder's Memorial Park	12340 Dorland Street	Whittier	90660	Ri	1	0	Park	16.0000	16.00	0.00	39.68	39.68	0.00	4.00	2.00	
272	274	R1204	361	Palm Park (East Side)	5709 Palm Avenue	Whittier	90660	Ri	1	0	Park	16.0000	16.00	0.00	39.68	39.68	0.00	4.00	2.00	
594	597	R1439	523	Orchard Dale School	10625 S. Cole Rd	Whittier	90604	Ri	1	0	School	16.0000	16.00	0.00	39.68	39.68	0.00	4.00	2.00	
631	634	R2015	556	Courtyard Apartments	4928 Durfee Ave	Pico Rivera	90660	Ri	1	0	Apartment	16.0000	16.00	0.00	39.68	39.68	0.00	4.00	2.00	
633	636	R2017	558	Newkirk Management	4821 Durfee Ave	Pico Rivera	90660	Ri	1	0	Property Mgt	16.0000	16.00	0.00	39.68	39.68	0.00	4.00	2.00	
54	54	C0109	58	Bell Gardens Soccer Field	8100 Park Lane	Bell Gardens		Ri	1	0	Landscape	15.0000	15.00	0.00	37.20	37.20	0.00	4.00	2.00	
64	64	C0206	71	Lampton School	14716 S. Elmcroft Ave.	Norwalk	90650	Ce	1	0	School	15.0000	15.00	0.00	37.20	37.20	0.00	4.00	2.00	
99	99	C1006	114	Palms Park	207th St & Norwalk Blvd.	Lakewood	90715	Ce	1	0	Park	15.0000	15.00	0.00	37.20	37.20	0.00	4.00	2.00	
103	103	C1077	118	Investment Dev. Serv. Business Park	12740-12870 Florence Avenue	Santa Fe Springs	90670	Ce	1	0	Landscape	15.0000	15.00	0.00	37.20	37.20	0.00	4.00	2.00	
857	861	C1092	134	Anna Glazier School	10932 E Excelsior Dr	Norwalk	90625	Ce	1	0	School	15.0000	15.00	0.00	37.20	37.20	0.00	4.00	2.00	
858	862	C1093	135	Anna Glazier Park	10810 E Excelsior Dr	Norwalk	90625	Ce	1	0	Park	15.0000	15.00	0.00	37.20	37.20	0.00	4.00	2.00	
201	201	R0770	263	Ford Boulevard School	1120 South Ford Blvd.	Los Angeles	90022	Ri	1	0	School	15.0000	15.00	0.00	37.20	37.20	0.00	4.00	2.00	
182	182	R0790	269	Hammel Street School	438 N. Brannick Avenue	Los Angeles	90063	Ri	1	0	School	15.0000	15.00	0.00	37.20	37.20	0.00	4.00	2.00	
211	211	R0821	283	Maizeland Child Care Center	7601 Cord Ave.	Pico Rivera	90660	Ri	1	0	School	15.0000	15.00	0.00	37.20	37.20	0.00	4.00	2.00	
531	534	R0822	284	Magee Elementary School	8200 Serapis Ave.	Pico Rivera		Ri	1	0	School	15.0000	15.00	0.00	37.20	37.20	0.00	4.00	2.00	
543	546	R0947	311	Hamasaki Elementary School	4865 East First Street	Los Angeles	90022	Ri	1	0	School	15.0000	15.00	0.00	37.20	37.20	0.00	4.00	2.00	
544	547	R0949	312	Washington Elementary School	7804 Thornlake Avenue	Whittier	90606	Ri	1	0	School	15.0000	15.00	0.00	37.20	37.20	0.00	4.00	2.00	
542	545	R0955	317	Belvedere Elementary School	3724 East First Street	Los Angeles	90063	Ri	1	0	School	15.0000	15.00	0.00	37.20	37.20	0.00	4.00	2.00	
549	552	R0965	323	Cantwell/Sacred Heart High School	329 N. Garfield Ave.	Montebello	90640	Ri	1	0	School	15.0000	15.00	0.00	37.20	37.20	0.00	4.00	2.00	

Central Basin Municipal Water District - Existing Database (Final from S. Surbey 12/16/99)

User	User									TTLAVG	IRRAVG	INDAVG	TTLPK	IRRPK	INDPK	IRRPK	INDPK			
Pro.	Pro.	ID	NAME	NAME2	USER_NAME	ADDRESS	CITY	ZIP	Pr	IRR	IND	IRRIG_TYPE	AFY	AFY	AFY	GPM	GPM	GPM	FCTR	FCTR
243	243	R0969	325	Birney School	8501 Orange Ave	Pico Rivera	90660	Ri	1	0	School	15.0000	15.00	0.00	37.20	37.20	0.00	4.00	2.00	
918	250	R1000	332	Whittier Union High School	12417 East Philadelphia Street	Whittier	90601	Ri	1	0	School	15.0000	15.00	0.00	37.20	37.20	0.00	4.00	2.00	
273	275	R1205	362	Gage Junior High School	2880 Gage Avenue	Huntington Park	90802	Ri	1	0	Landscape	15.0000	15.00	0.00	37.20	37.20	0.00	4.00	2.00	
278	280	R1213	368	Orange Grove School	10626 E. Orange Grove Ave	Whittier	90601	Ri	1	0	School	15.0000	15.00	0.00	37.20	37.20	0.00	4.00	2.00	
338	340	R1307	439	ABC Nursery/Bell Gardens	6800 Darwell Ave	Bell Gardens	90247	Ri	1	0	Nursery	15.0000	15.00	0.00	37.20	37.20	0.00	4.00	2.00	
600	603	R1319	448	Trammel Crow Company	4900 Zambrano Street	Commerce	90040	Ri	1	0	Property Mgt	15.0000	15.00	0.00	37.20	37.20	0.00	4.00	2.00	
763	766	R1375	482	Mt. Olive Memorial Cemetery	7231 E. Slauson Ave	Commerce	90040	Ri	1	0	Cemetery	15.0000	15.00	0.00	37.20	37.20	0.00	4.00	2.00	
731	734	R2115	656	No Ranchito Elementary School	8837 Olympic Blvd	Pico Rivera	90660	Ri	1	0	School	15.0000	15.00	0.00	37.20	37.20	0.00	4.00	2.00	
27	27	C0057	29	Thompson Park	16600 Civic Center Drive	Bellflower	90706	Ce	1	0	Park	14.0000	14.00	0.00	34.72	34.72	0.00	4.00	2.00	
53	53	C0108	57	Caltrans I-105 & Edison	I-105 & Garfield	Paramount		Ce	1	0	Caltrans	14.0000	14.00	0.00	34.72	34.72	0.00	4.00	2.00	
62	62	C0204	69	Nuffer School	14821 S. Jersey Ave.	Norwalk	90650	Ce	1	0	School	14.0000	14.00	0.00	34.72	34.72	0.00	4.00	2.00	
868	872	C0520	106	Rancho Santa Gertrudes School	11233 E Charlesworth Rd	Santa Fe Springs	90670	Ce	1	0	School	14.0000	14.00	0.00	34.72	34.72	0.00	4.00	2.00	
864	868	C1099	141	Westside Park	12120 Hoxie Ave	Norwalk	90625	Ce	1	0	Park	14.0000	14.00	0.00	34.72	34.72	0.00	4.00	2.00	
114	114	R0150	152	Walnut Tree Med: 12215 Whittier Bl	12215 Whittier Blvd	Whittier	90660	Ri	1	0	Landscape	14.0000	14.00	0.00	34.72	34.72	0.00	4.00	2.00	
347	349	R1322	451	Emery Industry	5568 East 61st Street	Commerce	90040	Ri	1	0	NA	14.0000	14.00	0.00	34.72	34.72	0.00	4.00	2.00	
593	596	R1423	508	Olive Lawn Memorial Park	13926 La Mirada Blvd	La Mirada	90638	Ri	1	0	Park	14.0000	14.00	0.00	34.72	34.72	0.00	4.00	2.00	
728	731	R2112	653	North Park Jr High School	4450 Durfee Ave	Pico Rivera	90660	Ri	1	0	School	14.0000	14.00	0.00	33.98	33.98	0.00	4.00	2.00	
730	733	R2114	655	Pio Pico School	4211 Columbia Ave	Pico Rivera	90660	Ri	1	0	School	13.8000	13.80	0.00	34.22	34.22	0.00	4.00	2.00	
44	44	C0094	47	Alameda School	8613 E. Alameda St	Downey	90241	Ce	1	0	School	13.0000	13.00	0.00	32.24	32.24	0.00	4.00	2.00	
60	60	C0127	67	New River Elementary School	13432 S. Halcourt Ave.	Norwalk	90650	Ce	1	0	School	13.0000	13.00	0.00	32.24	32.24	0.00	4.00	2.00	
867	871	C0462	101	Jersey Ave School	9400 Jersey Ave	Santa Fe Springs	90670	Ce	1	0	School	13.0000	13.00	0.00	32.24	32.24	0.00	4.00	2.00	
271	273	R1203	360	Palm Park (West Side)	5780 El Rancho Drive	Whittier	90660	Ri	1	0	Park	13.0000	13.00	0.00	32.24	32.24	0.00	4.00	2.00	
334	336	R1301	435	Bell Garden Association	6919 Eastern Avenue	Bell Gardens	90201	Ri	1	0	NA	13.0000	13.00	0.00	32.24	32.24	0.00	4.00	2.00	
756	759	R1364	477	Hubbard Nursery	655 Saybrook Ave	Montebello		Ri	1	0	Nursery	13.0000	13.00	0.00	32.24	32.24	0.00	4.00	2.00	
584	587	R1416	501	Leffingwell School	10625 S. Santa Gertrudes	Whittier	90603	Ri	1	0	School	13.0000	13.00	0.00	32.24	32.24	0.00	4.00	2.00	
683	686	R2067	608	St Theresa Conv Hosp	9140 Verner St	Pico Rivera	90660	Ri	1	0	Hospital	12.4000	12.40	0.00	30.75	30.75	0.00	4.00	2.00	
4	4	C0009	4	Progress Park	15500 Downey Ave	Paramount	90723	Ce	1	0	Park	12.0000	12.00	0.00	29.76	29.76	0.00	4.00	2.00	
22	22	C0050	23	Gauldin School	9724 E. Spry	Downey	90241	Ce	1	0	School	12.0000	12.00	0.00	29.76	29.76	0.00	4.00	2.00	
73	73	C0237	80	Morrison School	13510 Maidstone	Norwalk	90650	Ce	1	0	School	12.0000	12.00	0.00	29.76	29.76	0.00	4.00	2.00	
101	101	C1008	116	Palms Elementary School	12445 E. 207th St.	Lakewood	90715	Ce	1	0	School	12.0000	12.00	0.00	29.76	29.76	0.00	4.00	2.00	
104	104	C1078	119	Lam Kin Nursery	8700 Alondra Blvd.	Paramount	90723	Ce	1	0	Nursery	12.0000	12.00	0.00	29.76	29.76	0.00	4.00	2.00	
106	106	C1080	121	Senh-Hau Liu Nursery	13890 Orange Ave	Paramount	90723	Ce	1	0	Nursery	12.0000	12.00	0.00	29.76	29.76	0.00	4.00	2.00	
854	858	C1089	131	Walnut Elementary School	12110 E Walnut St	Norwalk	90625	Ce	1	0	School	12.0000	12.00	0.00	29.76	29.76	0.00	4.00	2.00	
130	130	R0300	169	Sorenson School	11493 Rosehedge Drive	Whittier	90660	Ri	1	0	School	12.0000	12.00	0.00	29.76	29.76	0.00	4.00	2.00	
329	331	R1296	430	Green Acres Nursery	9941 La Docena Ln.	Pico Rivera		Ri	1	0	Nursery	12.0000	12.00	0.00	29.76	29.76	0.00	4.00	2.00	
348	350	R1323	452	Prudential Overal	6920 Bandini Blvd.	Commerce	90040	Ri	1	0	Property Mgt	12.0000	12.00	0.00	29.76	29.76	0.00	4.00	2.00	
742	745	R1353	469	ABC Rhubarb Farms & Herbs	8100 Park Lane	Bell Gardens		Ce	1	0	Nursery	12.0000	12.00	0.00	29.76	29.76	0.00	4.00	2.00	
590	593	R1418	503	Murphy Ranch School	16021 Janine Dr	Whittier	90603	Ri	1	0	School	12.0000	12.00	0.00	29.76	29.76	0.00	4.00	2.00	
575	578	R1428	512	Hutchinson School	13900 Estero Rd	La Mirada	90638	Ri	1	0	School	12.0000	12.00	0.00	29.76	29.76	0.00	4.00	2.00	
599	602	R1441	525	Scott Avenue School	11701 Scott Ave	Whittier	90604	Ri	1	0	School	12.0000	12.00	0.00	29.76	29.76	0.00	4.00	2.00	
586	589	R1442	526	Meadow Green School	12025 Grovedale	Whittier	90604	Ri	1	0	School	12.0000	12.00	0.00	29.76	29.76	0.00	4.00	2.00	
729	732	R2113	654	Durfee Elementary School	4220 Durfee Ave	Pico Rivera	90660	Ri	1	0	School	12.0000	12.00	0.00	29.76	29.76	0.00	4.00	2.00	
773	776	R2202	669	Rosewood Park	5600 Harbor St	Commerce	90040	Ri	1	0	Park	12.0000	12.00	0.00	29.76	29.76	0.00	4.00	2.00	
690	693	R2074	615	Crossroads Plaza	9290 Whittier Blvd	Pico Rivera	90660	Ri	1	0	NA	11.5000	11.50	0.00	28.52	28.52	0.00	4.00	2.00	
862	866	C1097	139	Thomas Moffit School	13323 S. Goller Ave	Norwalk	90625	Ce	1	0	School	11.0000	11.00	0.00	27.28	27.28	0.00	4.00	2.00	
863	867	C1098	140	Lakeside Park	Kenney St & Studebaker Rd	Norwalk	90625	Ce	1	0	Park	11.0000	11.00	0.00	27.28	27.28	0.00	4.00	2.00	
163	163	R0570	205	Los Nietos Intermediate School	11425 Rivera Road	Whittier	90606	Ri	1	0	School	11.0000	11.00	0.00	27.28	27.28	0.00	4.00	2.00	
237	237	R0664	236	Atlantic Avenue Park	570 Atlantic Avenue	Los Angeles	90022	Ri	1	0	Park	11.0000	11.00	0.00	27.28	27.28	0.00	4.00	2.00	
193	193	R0720	253	Jackson, Byron Property	2300 Vernon Ave.	Vernon	90058	Ri	1	0	NA	11.0000	11.00	0.00	27.28	27.28	0.00	4.00	2.00	
714	717	R2098	639	Elbert Miles	8335 Washington Blvd	Pico Rivera	90660	Ri	1	0	Property Mgt	11.0000	11.00	0.00	27.28	27.28	0.00	4.00	2.00	
733	736	R2117	658	City Of Pico Rvra (Smith Park Pool)	9000 Mines Ave	Pico Rivera	90660	Ri	1	0	Park	11.0000	11.00	0.00	27.28	27.28	0.00	4.00	2.00	
623	626	R2007	548	Rivera Gardens Co.	5107 Passons Blvd	Pico Rivera	90660	Ri	1	0	NA	10.9000	10.90	0.00	27.03	27.03	0.00	4.00	2.00	

Central Basin Municipal Water District - Existing Database (Final from S. Surbey 12/16/99)

User	User									TTLAVG	IRRAVG	INDAVG	TTLPK	IRRPK	INDPK	IRRPK	INDPK			
Pro.	Pro.	ID	NAME	NAME2	USER_NAME	ADDRESS	CITY	ZIP	Pr	IRR	IND	IRRIG_TYPE	AFY	AFY	AFY	GPM	GPM	GPM	FCTR	FCTR
609	612	R1275	413	Mexican Food Mfg.	7654 Serapis Ave.	Pico Rivera	90660	Ri	1	0	NA	10.3000	10.30	0.00	25.54	25.54	0.00	4.00	2.00	
0	0	C0043	0	Temple Park	11985 Old River Scholol Rd.	Downey	90242	Ce	1	0	Park	10.0000	10.00	0.00	24.80	24.80	0.00	4.00	2.00	
34	34	C0067	36	Wirtz Elementary School	14428 Downey Ave	Paramount		Ce	1	0	School	10.0000	10.00	0.00	24.80	24.80	0.00	4.00	2.00	
38	38	C0075	40	Keppel School	6630 Mark Keppel	Paramount		Ce	1	0	School	10.0000	10.00	0.00	24.80	24.80	0.00	4.00	2.00	
49	49	C0104	53	Orange County Nursery	13249 E. Firestone Blvd.	Norwalk	90651	Ce	1	0	Nursery	10.0000	10.00	0.00	24.80	24.80	0.00	4.00	2.00	
75	75	C0244	82	Johnston School	13421 S. Fairford	Norwalk	90651	Ce	1	0	School	10.0000	10.00	0.00	24.80	24.80	0.00	4.00	2.00	
94	94	C1001	109	Medians - Telegraph	11800 Telegraph Rd.	Santa Fe Springs	90670	Ce	1	0	Landscape	10.0000	10.00	0.00	24.80	24.80	0.00	4.00	2.00	
105	105	C1079	120	Billy Lee Nursery	8601 Jefferson St	Paramount	90723	Ce	1	0	Nursery	10.0000	10.00	0.00	24.80	24.80	0.00	4.00	2.00	
107	107	C1081	122	Menh-Hau Liu Nursery	14002 Garfield Ave	Paramount	90723	Ce	1	0	Nursery	10.0000	10.00	0.00	24.80	24.80	0.00	4.00	2.00	
849	853	C1085	127	Little Lake Park	10900 Pioneer Blvd	Santa Fe Springs	90670	Ce	1	0	Park	10.0000	10.00	0.00	24.80	24.80	0.00	4.00	2.00	
859	863	C1094	136	Earl Edmonston School	15121 S Grayland Ave	Norwalk	90625	Ce	1	0	School	10.0000	10.00	0.00	24.80	24.80	0.00	4.00	2.00	
203	203	R0682	244	Potrero Heights Park	8100 Hill Dr.	Montebello	91770	Ri	1	0	Park	10.0000	10.00	0.00	24.80	24.80	0.00	4.00	2.00	
321	323	R1282	420	Nursery	8500 Spruce	Pico Rivera		Ri	1	0	Nursery	10.0000	10.00	0.00	24.80	24.80	0.00	4.00	2.00	
767	770	R1356	470	Takahashi Nursery		Commerce		Ri	1	0	Nursery	10.0000	10.00	0.00	24.80	24.80	0.00	4.00	2.00	
588	591	R1440	524	Mulberry School	14029 Mulberry Dr	Whittier	90605	Ri	1	0	School	10.0000	10.00	0.00	24.80	24.80	0.00	4.00	2.00	
771	774	R2200	667	Bandini Park	Leonis St & Astor Ave	Commerce	90040	Ri	1	0	Park	10.0000	10.00	0.00	24.80	24.80	0.00	4.00	2.00	
724	727	R2108	649	J Flick/r Hamley	4731 Citrus Dr	Pico Rivera	90660	Ri	1	0	Property Mgt	9.5000	9.50	0.00	23.56	23.56	0.00	4.00	2.00	
2	2	C0007	2	Mokler School	8571 Flower	Paramount		Ce	1	0	School	9.0000	9.00	0.00	22.32	22.32	0.00	4.00	2.00	
85	85	C0266	94	Medians - Florence & Maidstone	11700 Florence Ave.	Santa Fe Springs	90670	Ce	1	0	Landscape	9.0000	9.00	0.00	22.32	22.32	0.00	4.00	2.00	
93	93	C1000	108	Medians - Orr & Day S/o Florence	Orr and Day Rd & Florence Ave	Santa Fe Springs	90670	Ce	1	0	Landscape	9.0000	9.00	0.00	22.32	22.32	0.00	4.00	2.00	
119	119	R0200	157	York Field	9110 Santa Fe Springs Road	Whittier	90660	Ri	1	0	Park	9.0000	9.00	0.00	22.32	22.32	0.00	4.00	2.00	
133	133	R0320	172	West Whittier Elementary School	6411 Norwalk Boulevard	Whittier	90660	Ri	1	0	School	9.0000	9.00	0.00	22.32	22.32	0.00	4.00	2.00	
345	347	R1320	449	New Crow II	6201 Randolph Street	Commerce	90040	Ri	1	0	Property Mgt	9.0000	9.00	0.00	22.32	22.32	0.00	4.00	2.00	
685	688	R2069	610	Albertson's Inc	9100 Whittier Blvd	Pico Rivera	90660	Ri	1	0	Store	8.8000	8.80	0.00	21.82	21.82	0.00	4.00	2.00	
720	723	R2104	645	Snak King Corp	9525 Brasher St	Pico Rivera	90660	Ri	1	0	Restaurant	8.3000	8.30	0.00	20.58	20.58	0.00	4.00	2.00	
740	743	R2124	665	So Ranchito School	5241 Passons Blvd	Pico Rivera	90660	Ri	1	0	School	8.1000	8.10	0.00	20.09	20.09	0.00	4.00	2.00	
88	88	C0439	99	Villa Santa Fe Apartments	11800 E. Florence Avenue	Santa Fe Springs	90670	Ce	1	0	Landscape	8.0000	8.00	0.00	19.84	19.84	0.00	4.00	2.00	
112	112	R0130	150	Median: 11017 East Whittier Blvd.	11017 E. Whittier Blvd	Whittier	90660	Ri	1	0	Landscape	8.0000	8.00	0.00	19.84	19.84	0.00	4.00	2.00	
256	257	R1052	339	Field - Norwalk & Telegraph	Norwalk Blvd & Telegraph Rd	Santa Fe Springs	90670	Ri	1	0	Landscape	8.0000	8.00	0.00	19.84	19.84	0.00	4.00	2.00	
270	272	R1202	359	Huntington Park Civic Center Park	6550 Miles Avenue	Huntington Park	90255	Ri	1	0	Park	8.0000	8.00	0.00	19.84	19.84	0.00	4.00	2.00	
310	312	R1250	402	Obregon School	3530 Sandoval Avenue	Pico Rivera		Ri	1	0	School	8.0000	8.00	0.00	19.84	19.84	0.00	4.00	2.00	
311	313	R1251	403	Montebello Gardens Elem. School	4700 Pine St.	Pico Rivera	90660	Ri	1	0	School	8.0000	8.00	0.00	19.84	19.84	0.00	4.00	2.00	
770	773	R1357	471	Yoshi Nursery				Ri	1	0	Nursery	8.0000	8.00	0.00	19.84	19.84	0.00	4.00	2.00	
759	762	R1359	473	Lyon Christmas Tree Nursery	6215 Telegraph Rd	Commerce		Ri	1	0	Nursery	8.0000	8.00	0.00	19.84	19.84	0.00	4.00	2.00	
608	611	R1274	412	Meat Packers	5201 Industry Ave.	Pico Rivera	90660	Ri	1	0	NA	7.7000	7.70	0.00	19.10	19.10	0.00	4.00	2.00	
657	660	R2041	582	Galstian Family Trust	8600 Whittier Blvd	Pico Rivera	90660	Ri	1	0	Property Mgt	7.6000	7.60	0.00	18.85	18.85	0.00	4.00	2.00	
674	677	R2058	599	Dal Rae	9023 Washington Blvd	Pico Rivera	90660	Ri	1	0	Property Mgt	7.2000	7.20	0.00	17.86	17.86	0.00	4.00	2.00	
813	816	C0102	51	Ramona School	14616 Dinard Ave	Norwalk	90650	Ce	1	0	School	7.0000	7.00	0.00	17.36	17.36	0.00	4.00	2.00	
58	58	C0113	62	Caltrans I-5 & Shoemaker	I-5 & Shoemaker Avenue	Norwalk		Ce	1	0	Caltrans	7.0000	7.00	0.00	17.36	17.36	0.00	4.00	2.00	
61	61	C0201	68	Gerdes Park	Gridley Rd & Sibley St.	Norwalk	90650	Ce	1	0	Park	7.0000	7.00	0.00	17.36	17.36	0.00	4.00	2.00	
109	109	R0100	147	Median: 12451 East Whittier Blvd.	12451 E. Whittier Blvd	Whittier	90660	Ri	1	0	Landscape	7.0000	7.00	0.00	17.36	17.36	0.00	4.00	2.00	
111	111	R0120	149	Median: 10520 Dorland Street	10520 Dorland Street	Whittier	90660	Ri	1	0	Landscape	7.0000	7.00	0.00	17.36	17.36	0.00	4.00	2.00	
135	135	R0340	174	Guirado Park	5760 Pioneer Boulevard	Whittier	90660	Ri	1	0	Park	7.0000	7.00	0.00	17.36	17.36	0.00	4.00	2.00	
159	159	R0521	201	Caltrans I-605 & I-5	I-605 & I-5	Santa Fe Springs	90670	Ri	1	0	Caltrans	7.0000	7.00	0.00	0.00	0.00	0.00	4.00	2.00	
573	576	R1400	485	Hacienda Park	Hacienda Blvd & Encanada Dr	La Habra Heights	90631	Ri	1	0	Park	7.0000	7.00	0.00	17.36	17.36	0.00	4.00	2.00	
712	715	R2096	637	The Beaumont Co	8423 Washington Blvd	Pico Rivera	90660	Ri	1	0	Property Mgt	7.0000	7.00	0.00	17.36	17.36	0.00	4.00	2.00	
716	719	R2100	641	Lee Smith	7553 Serapis Ave	Pico Rivera	90660	Ri	1	0	Property Mgt	7.0000	7.00	0.00	17.36	17.36	0.00	4.00	2.00	
632	635	R2016	557	William Moguel	4904 Durfee Ave	Pico Rivera	90660	Ri	1	0	Property Mgt	6.3000	6.30	0.00	15.62	15.62	0.00	4.00	2.00	
655	658	R2039	580	Pico Rivera Mobil Park	8526 Whittier Blvd	Pico Rivera	90660	Ri	1	0	Park	6.1000	6.10	0.00	15.13	15.13	0.00	4.00	2.00	
1	1	C0006	1	Crawford Park	7000 E. Dinwiddie St	Downey	90241	Ce	1	0	Park	6.0000	6.00	0.00	14.88	14.88	0.00	4.00	2.00	
108	108	C1082	123	Lan-Vong Nursery	7901 Rosecrans Ave	Paramount	90723	Ce	1	0	Nursery	6.0000	6.00	0.00	14.88	14.88	0.00	4.00	2.00	
110	110	R0110	148	Median: 10700 Dorland Street	10700 Dorland Street	Whittier	90660	Ri	1	0	Landscape	6.0000	6.00	0.00	14.88	14.88	0.00	4.00	2.00	

Central Basin Municipal Water District - Existing Database (Final from S. Surbey 12/16/99)

User	User									TTLAVG	IRRAVG	INDAVG	TTLPK	IRRPK	INDPK	IRRPK	INDPK			
Pro.	Pro.	ID	NAME	NAME2	USER_NAME	ADDRESS	CITY	ZIP	Pr	IRR	IND	IRRIG_TYPE	AFY	AFY	AFY	GPM	GPM	GPM	FCTR	FCTR
137	137	R0360	176	Longfellow School	6005 Magnolia Avenue	Whittier	90660	Ri	1	0	School	6.0000	6.00	0.00	14.88	14.88	0.00	4.00	2.00	
231	231	R0665	237	County of Los Angeles Women's Jail	1317 Rollins Drive	Los Angeles	90063	Ri	1	0	Landscape	6.0000	6.00	0.00	14.88	14.88	0.00	4.00	2.00	
206	206	R0800	272	Treder Park	6250 Pine Ave.	Bell	90201	Ri	1	0	Park	6.0000	6.00	0.00	14.88	14.88	0.00	4.00	2.00	
254	255	R1039	337	Field - Norwalk & Telegraph	Telegraph Rd & Norwalk Blvd	Santa Fe Springs	90670	Ri	1	0	Landscape	6.0000	6.00	0.00	14.88	14.88	0.00	4.00	2.00	
315	317	R1269	407	Rio Vista Estates	3921 Calico Ave.	Pico Rivera		Ri	1	0	Landscape	6.0000	6.00	0.00	14.88	14.88	0.00	4.00	2.00	
320	322	R1280	418	Rio Hondo Hospital	8337 Telegraph Rd.	Pico Rivera		Ri	1	0	Hospital	6.0000	6.00	0.00	14.88	14.88	0.00	4.00	2.00	
337	339	R1306	438	Bell Gardens School	5620 Quinn St	Bell Gardens	90201	Ri	1	0	School	6.0000	6.00	0.00	14.88	14.88	0.00	4.00	2.00	
751	754	R1358	472	Daniel Plasencia Nursery		Commerce		Ri	1	0	Nursery	6.0000	6.00	0.00	14.88	14.88	0.00	4.00	2.00	
761	764	R1363	476	Mimosa Nursery	6271 Allston St	Commerce		Ri	1	0	Nursery	6.0000	6.00	0.00	14.88	14.88	0.00	4.00	2.00	
663	666	R2047	588	Rosemead Retirement	6525 Rosemead Blvd	Pico Rivera	90660	Ri	1	0	Apartment	6.0000	6.00	0.00	14.88	14.88	0.00	4.00	2.00	
680	683	R2064	605	Pete - 102 Nijjar	5430 Rosemead Blvd	Pico Rivera	90660	Ri	1	0	Property Mgt	6.0000	6.00	0.00	14.88	14.88	0.00	4.00	2.00	
695	698	R2079	620	Lancer Motel	4335 Rosemead Blvd	Pico Rivera	90660	Ri	1	0	Motel	6.0000	6.00	0.00	14.88	14.88	0.00	4.00	2.00	
719	722	R2103	644	Newkirk Management	7466 Rosemead Blvd	Pico Rivera	90660	Ri	1	0	Property Mgt	6.0000	6.00	0.00	14.88	14.88	0.00	4.00	2.00	
736	739	R2120	661	City Of Pico Rivera/City Hall	6615 Passons Blvd	Pico Rivera	90660	Ri	1	0	NA	6.0000	6.00	0.00	14.88	14.88	0.00	4.00	2.00	
617	620	R2001	542	Clearman's Steak 'n	9545 Whittier Blvd	Pico Rivera	90660	Ri	1	0	Restaurant	5.4000	5.40	0.00	13.39	13.39	0.00	4.00	2.00	
666	669	R2050	591	Olga Burget	9033 Burma Rd	Pico Rivera	90660	Ri	1	0	Property Mgt	5.3000	5.30	0.00	13.14	13.14	0.00	4.00	2.00	
650	653	R2034	575	Mc Donalds #7371	8715 Whittier Blvd	Pico Rivera	90660	Ri	1	0	Restaurant	5.2000	5.20	0.00	12.90	12.90	0.00	4.00	2.00	
613	616	R1281	419	Motel	8477 Telegraph Rd.	Pico Rivera	90660	Ri	1	0	NA	5.1000	5.10	0.00	12.65	12.65	0.00	4.00	2.00	
614	617	R1294	429	Motel	9118 Slauson Ave.	Pico Rivera	90660	Ri	1	0	NA	5.1000	5.10	0.00	12.65	12.65	0.00	4.00	2.00	
0	0	C0044	0	Palm Growers Nursery	Foster Road	Downey		Ce	1	0	Nursery	5.0000	5.00	0.00	0.00	0.00	0.00	4.00	2.00	
902	906	C2015		Belloso Farms - Paramount	7200 Cortland Ave	Paramount	90723	Ce	1	0	Nursery	5.0000	5.00	0.00	0.00	0.00	0.00	4.00	2.00	
113	113	R0140	151	Walnut Tree Med: 12215 Whittier Bl	12215 Whittier Blvd	Whittier	90660	Ri	1	0	Landscape	5.0000	5.00	0.00	12.40	12.40	0.00	4.00	2.00	
141	141	R0390	180	Lincoln School	12620 Broadway	Whittier	90660	Ri	1	0	School	5.0000	5.00	0.00	12.40	12.40	0.00	4.00	2.00	
162	162	R0525	204	Neighborhood Center (Santa Fe Spgs)	9255 Pioneer Boulevard	Santa Fe Springs	90670	Ri	1	0	Landscape	5.0000	5.00	0.00	12.40	12.40	0.00	4.00	2.00	
540	543	R0953	315	Valencia School	9241 Cosgrove St.	Pico Rivera	90660	Ri	1	0	School	5.0000	5.00	0.00	12.40	12.40	0.00	4.00	2.00	
246	246	R0974	328	Nelson School	8140 Vicki Drive	Whittier	90660	Ri	1	0	School	5.0000	5.00	0.00	12.40	12.40	0.00	4.00	2.00	
260	261	R1074	345	Grainger / PM 19973	10712 Bloomfield Avenue	Santa Fe Springs	90670	Ri	1	0	Landscape	5.0000	5.00	0.00	12.40	12.40	0.00	4.00	2.00	
276	278	R1208	365	Aeolian School	11600 Aeolian Street	Whittier	90606	Ri	1	0	School	5.0000	5.00	0.00	12.40	12.40	0.00	4.00	2.00	
312	314	R1252	404	St. Mariannes School	7922 Passons Blvd.	Pico Rivera		Ri	1	0	School	5.0000	5.00	0.00	12.40	12.40	0.00	4.00	2.00	
314	316	R1254	406	Armenian School	8110 Paramount Blvd.	Pico Rivera		Ri	1	0	School	5.0000	5.00	0.00	12.40	12.40	0.00	4.00	2.00	
679	682	R2063	604	Alex Chapple	5640 Rosemead Blvd	Pico Rivera	90660	Ri	1	0	Property Mgt	5.0000	5.00	0.00	12.40	12.40	0.00	4.00	2.00	
681	684	R2065	606	Lonnie Kaplan	5400 Rosemead Blvd	Pico Rivera	90660	Ri	1	0	Property Mgt	5.0000	5.00	0.00	12.40	12.40	0.00	4.00	2.00	
734	737	R2118	659	Los Angeles Co Library	9001 Mines Ave	Pico Rivera	90660	Ri	1	0	Library	5.0000	5.00	0.00	12.40	12.40	0.00	4.00	2.00	
739	742	R2123	664	Salazar High School	6519 Millux Ave	Pico Rivera	90660	Ri	1	0	School	5.0000	5.00	0.00	12.40	12.40	0.00	4.00	2.00	
622	625	R2006	547	Standard Brands Paint #	9300 Whittier Blvd	Pico Rivera	90660	Ri	1	0	Store	4.9000	4.90	0.00	12.15	12.15	0.00	4.00	2.00	
620	623	R2004	545	City Of Pico Rivera	9456 Whittier Blvd	Pico Rivera	90660	Ri	1	0	NA	4.4000	4.40	0.00	10.91	10.91	0.00	4.00	2.00	
626	629	R2010	551	Capri Apartments	4941 Passons Blvd	Pico Rivera	90660	Ri	1	0	Apartment	4.4000	4.40	0.00	10.91	10.91	0.00	4.00	2.00	
735	738	R2119	660	City Of Pico Rivera	9200 Mines Ave	Pico Rivera	90660	Ri	1	0	NA	4.2000	4.20	0.00	10.42	10.42	0.00	4.00	2.00	
47	47	C0101	50	Circle Park	Karmont Ave & Garfield Ave.	South Gate	90280	Ce	1	0	Park	4.0000	4.00	0.00	9.92	9.92	0.00	4.00	2.00	
48	48	C0103	52	Ramona Park	14700 Dinard Ave	Norwalk	90651	Ce	1	0	Park	4.0000	4.00	0.00	9.92	9.92	0.00	4.00	2.00	
95	95	C1002	110	Clarkman Walkway	Clarkman St & Roseton Ave.	Santa Fe Springs	90670	Ce	1	0	Landscape	4.0000	4.00	0.00	9.92	9.92	0.00	4.00	2.00	
96	96	C1003	111	Santa Fe Springs Police Station	11576 E. Telegraph Rd	Santa Fe Springs	90670	Ce	1	0	Landscape	4.0000	4.00	0.00	9.92	9.92	0.00	4.00	2.00	
97	97	C1004	112	Pioneer Aquatic & Town Center	10200 Pioneer Blvd.	Santa Fe Springs	90670	Ce	1	0	Landscape	4.0000	4.00	0.00	9.92	9.92	0.00	4.00	2.00	
142	142	R0400	181	Broadway Park	12820 Broadway	Whittier	90660	Ri	1	0	Park	4.0000	4.00	0.00	9.92	9.92	0.00	4.00	2.00	
233	233	R0950	313	Nueva Vista Elementary School	4412 Randolph St.	Bell	90201	Ri	1	0	School	4.0000	4.00	0.00	9.92	9.92	0.00	4.00	2.00	
704	707	R2088	629	El Rancho Vista	8925 Mines Ave	Pico Rivera	90660	Ri	1	0	NA	4.0000	4.00	0.00	9.92	9.92	0.00	4.00	2.00	
717	720	R2101	642	Investors Property Serv	7541 Serapis Ave	Pico Rivera	90660	Ri	1	0	Property Mgt	3.9000	3.90	0.00	9.67	9.67	0.00	4.00	2.00	
721	724	R2105	646	Snak King Corp.	9535 Brasher St	Pico Rivera	90660	Ri	1	0	Restaurant	3.8000	3.80	0.00	9.42	9.42	0.00	4.00	2.00	
618	621	R2002	543	99 Only Store	9535 Whittier Blvd	Pico Rivera	90660	Ri	1	0	Store	3.7000	3.70	0.00	9.18	9.18	0.00	4.00	2.00	
646	649	R2030	571	Fernando & Elsa Chagoll	4802 Deland Ave	Pico Rivera	90660	Ri	1	0	Property Mgt	3.7000	3.70	0.00	9.18	9.18	0.00	4.00	2.00	
723	726	R2107	648	Operon Distributors	4901 Gregg Rd	Pico Rivera	90660	Ri	1	0	NA	3.6000	3.60	0.00	8.93	8.93	0.00	4.00	2.00	
684	687	R2068	609	Home Depot #689	9200 Whittier Blvd	Pico Rivera	90660	Ri	1	0	Store	3.5000	3.50	0.00	8.68	8.68	0.00	4.00	2.00	

Central Basin Municipal Water District - Existing Database (Final from S. Surbey 12/16/99)

User	User									TTLAVG	IRRAVG	INDAVG	TTLPK	IRRPK	INDPK	IRRPK	INDPK			
Pro.	Pro.	ID	NAME	NAME2	USER_NAME	ADDRESS	CITY	ZIP	Pr	IRR	IND	IRRIG_TYPE	AFY	AFY	AFY	GPM	GPM	GPM	FCTR	FCTR
711	714	R2095	636	Arnulfo Nino	6726 Keltonview Dr	Pico Rivera	90660	Ri	1	0	Property Mgt	3.5000	3.50	0.00	8.68	8.68	0.00	4.00	2.00	
741	744	R2125	666	City Of Pico Rivera	7246 Rosemead Blvd	Pico Rivera	90660	Ri	1	0	NA	3.5000	3.50	0.00	8.68	8.68	0.00	4.00	2.00	
670	673	R2054	595	Travelodge	7222 Rosemead Blvd	Pico Rivera	90660	Ri	1	0	Motel	3.4000	3.40	0.00	8.43	8.43	0.00	4.00	2.00	
691	694	R2075	616	Jacmar Pacific Pizza	9290 Whittier Blvd	Pico Rivera	90660	Ri	1	0	Restaurant	3.4000	3.40	0.00	8.43	8.43	0.00	4.00	2.00	
718	721	R2102	643	Maria E Silva	7541 Serapis Ave	Pico Rivera	90660	Ri	1	0	Property Mgt	3.4000	3.40	0.00	8.43	8.43	0.00	4.00	2.00	
692	695	R2076	617	H Erwin	4732 Walnut Ave	Pico Rivera	90660	Ri	1	0	Property Mgt	3.2000	3.20	0.00	7.94	7.94	0.00	4.00	2.00	
643	646	R2027	568	Jacmar Builders Inc	9302 Whittier Blvd	Pico Rivera	90660	Ri	1	0	NA	3.1000	3.10	0.00	7.69	7.69	0.00	4.00	2.00	
12	12	C0022	12	Bellflower Civic Center	16600 Civic Center Drive	Bellflower	90706	Ce	1	0	Landscape	3.0000	3.00	0.00	7.44	7.44	0.00	4.00	2.00	
865	869	C1100	142	Orr Park	Dune St & Jersey Ave	Norwalk	90625	Ce	1	0	Park	3.0000	3.00	0.00	7.44	7.44	0.00	4.00	2.00	
145	145	R0412	184	Active Sales	8743 Sorenson Avenue	Santa Fe Springs	90670	Ri	1	0	Landscape	3.0000	3.00	0.00	7.44	7.44	0.00	4.00	2.00	
261	262	R1080	347	Sorenson II / PM 21685	8940 Sorenson	Santa Fe Springs	90670	Ri	1	0	Landscape	3.0000	3.00	0.00	7.44	7.44	0.00	4.00	2.00	
267	269	R1107	355	Southern California Edison	9901 Geary Avenue	Santa Fe Springs	90670	Ri	1	0	Landscape	3.0000	3.00	0.00	7.44	7.44	0.00	4.00	2.00	
750	753	R1360	474	Damas Nursery	Hereford Dr & Saybrook Ave	Commerce		Ri	1	0	Nursery	3.0000	3.00	0.00	7.44	7.44	0.00	4.00	2.00	
653	656	R2037	578	Irene Diaz	8535 Whittier Blvd	Pico Rivera	90660	Ri	1	0	Property Mgt	3.0000	3.00	0.00	7.44	7.44	0.00	4.00	2.00	
700	703	R2084	625	Pei Gen Wu	8729 Olympic Blvd	Pico Rivera	90660	Ri	1	0	Property Mgt	3.0000	3.00	0.00	7.44	7.44	0.00	4.00	2.00	
708	711	R2092	633	Regency Apts - 504	4622 Rosemead Blvd	Pico Rivera	90660	Ri	1	0	Apartment	3.0000	3.00	0.00	7.44	7.44	0.00	4.00	2.00	
658	661	R2042	583	Viva #570	8620 Whittier Blvd	Pico Rivera	90660	Ri	1	0	Store	2.9000	2.90	0.00	7.19	7.19	0.00	4.00	2.00	
621	624	R2005	546	K D Patel	9431 Whittier Blvd	Pico Rivera	90660	Ri	1	0	Property Mgt	2.8000	2.80	0.00	6.94	6.94	0.00	4.00	2.00	
656	659	R2040	581	R Talamantes	8629 Whittier Blvd	Pico Rivera	90660	Ri	1	0	Property Mgt	2.8000	2.80	0.00	6.94	6.94	0.00	4.00	2.00	
715	718	R2099	640	Clovis Kitchen	8301 Washington Blvd	Pico Rivera	90660	Ri	1	0	Restaurant	2.8000	2.80	0.00	6.94	6.94	0.00	4.00	2.00	
629	632	R2013	554	Dave Grotte	4853 (1/2) Passons Blvd	Pico Rivera	90660	Ri	1	0	Property Mgt	2.7000	2.70	0.00	6.70	6.70	0.00	4.00	2.00	
639	642	R2023	564	Nijjar Realty - 101	5330 Lindsey Ave	Pico Rivera	90660	Ri	1	0	Property Mgt	2.7000	2.70	0.00	6.70	6.70	0.00	4.00	2.00	
722	725	R2106	647	Grace Properties Ltd	4796 Gregg Rd	Pico Rivera	90660	Ri	1	0	Property Mgt	2.7000	2.70	0.00	6.70	6.70	0.00	4.00	2.00	
619	622	R2003	544	James S Price	9515 Whittier Blvd	Pico Rivera	90660	Ri	1	0	Property Mgt	2.6000	2.60	0.00	6.45	6.45	0.00	4.00	2.00	
642	645	R2026	567	Nijjar Realty - 101	5244 Lindsey Ave	Pico Rivera	90660	Ri	1	0	Property Mgt	2.6000	2.60	0.00	6.45	6.45	0.00	4.00	2.00	
627	630	R2011	552	Vasken Papazian	4921 Passons Blvd	Pico Rivera	90660	Ri	1	0	Property Mgt	2.5000	2.50	0.00	6.20	6.20	0.00	4.00	2.00	
641	644	R2025	566	Nijjar Realty - 101	5310 Lindsey Ave	Pico Rivera	90660	Ri	1	0	Property Mgt	2.5000	2.50	0.00	6.20	6.20	0.00	4.00	2.00	
638	641	R2022	563	Havenwood Village #186	9025 Havenwood Dr	Pico Rivera	90660	Ri	1	0	Property Mgt	2.4000	2.40	0.00	5.95	5.95	0.00	4.00	2.00	
671	674	R2055	596	Dunes Motel	7116 Rosemead Blvd	Pico Rivera	90660	Ri	1	0	Motel	2.4000	2.40	0.00	5.95	5.95	0.00	4.00	2.00	
705	708	R2089	630	I R Equip Corp	5211 Paramount Blvd	Pico Rivera	90660	Ri	1	0	NA	2.4000	2.40	0.00	5.95	5.95	0.00	4.00	2.00	
636	639	R2020	561	Havenwood Village #186	5319 Lindsey Ave	Pico Rivera	90660	Ri	1	0	Property Mgt	2.3000	2.30	0.00	5.70	5.70	0.00	4.00	2.00	
637	640	R2021	562	Havenwood Village #186	5325 Lindsey Ave	Pico Rivera	90660	Ri	1	0	Property Mgt	2.3000	2.30	0.00	5.70	5.70	0.00	4.00	2.00	
640	643	R2024	565	Nijjar Realty - 101	5322 Lindsey Ave	Pico Rivera	90660	Ri	1	0	Property Mgt	2.3000	2.30	0.00	5.70	5.70	0.00	4.00	2.00	
644	647	R2028	569	Tommy's Hamburgers	9301 Whittier Blvd	Pico Rivera	90660	Ri	1	0	Restaurant	2.3000	2.30	0.00	5.70	5.70	0.00	4.00	2.00	
654	657	R2038	579	Irene Diaz	8527 Whittier Blvd	Pico Rivera	90660	Ri	1	0	Property Mgt	2.3000	2.30	0.00	5.70	5.70	0.00	4.00	2.00	
725	728	R2109	650	Adela Valdez	4632 Walnut Ave	Pico Rivera	90660	Ri	1	0	Property Mgt	2.3000	2.30	0.00	5.70	5.70	0.00	4.00	2.00	
625	628	R2009	550	Frank Ortiz	5017 Church St	Pico Rivera	90660	Ri	1	0	Property Mgt	2.2000	2.20	0.00	5.46	5.46	0.00	4.00	2.00	
668	671	R2052	593	Rosemead Apartments	7314 Rosemead Blvd	Pico Rivera	90660	Ri	1	0	Apartment	2.2000	2.20	0.00	5.46	5.46	0.00	4.00	2.00	
673	676	R2057	598	M.d. Shneidman	9049 Washington Blvd	Pico Rivera	90660	Ri	1	0	Property Mgt	2.2000	2.20	0.00	5.46	5.46	0.00	4.00	2.00	
689	692	R2073	614	Taco Bell # 3670	9180 Whittier Blvd	Pico Rivera	90660	Ri	1	0	Restaurant	2.2000	2.20	0.00	5.46	5.46	0.00	4.00	2.00	
616	619	R2000	541	Kater Crafts	4860 Gregg Rd	Pico Rivera	90660	Ri	1	0	Store	2.1000	2.10	0.00	5.21	5.21	0.00	4.00	2.00	
628	631	R2012	553	Naheeh A Benjameen	4905 Passons Blvd	Pico Rivera	90660	Ri	1	0	Property Mgt	2.1000	2.10	0.00	5.21	5.21	0.00	4.00	2.00	
645	648	R2029	570	El Atacor	9145 Whittier Blvd	Pico Rivera	90660	Ri	1	0	NA	2.1000	2.10	0.00	5.21	5.21	0.00	4.00	2.00	
647	650	R2031	572	Home Savings Of America	9125 Whittier Blvd	Pico Rivera	90660	Ri	1	0	Bank	2.1000	2.10	0.00	5.21	5.21	0.00	4.00	2.00	
7	7	C0014	7	Steam Engine Park	14699 Gundry Ave.	Paramount	90723	Ce	1	0	Park	2.0000	2.00	0.00	4.96	4.96	0.00	4.00	2.00	
115	115	R0160	153	Median: 12483 Whittier Blvd.	12483 Whittier Blvd.	Whittier	90660	Ri	1	0	Landscape	2.0000	2.00	0.00	4.96	4.96	0.00	4.00	2.00	
116	116	R0170	154	Median: 12601 Washington Blvd.	12601 Washington Blvd.	Whittier	90660	Ri	1	0	Landscape	2.0000	2.00	0.00	4.96	4.96	0.00	4.00	2.00	
117	117	R0180	155	Median: Santa Fe Sprgs & Whittier	Santa Fe Springs & Whittier	Whittier	90660	Ri	1	0	Landscape	2.0000	2.00	0.00	4.96	4.96	0.00	4.00	2.00	
126	126	R0264	165	CSFS-SW corner Telegraph/Norwalk	Norwalk & Telegraph	Santa Fe Springs	90670	Ri	1	0	Landscape	2.0000	2.00	0.00	4.96	4.96	0.00	4.00	2.00	
144	144	R0410	183	Trinity School	11716 East Floral Drive	Whittier	90601	Ri	1	0	School	2.0000	2.00	0.00	4.96	4.96	0.00	4.00	2.00	
238	238	R0630	217	Calabasas Distribution	9919 Springland Drive	Whittier	90660	Ri	1	0	Nursery	2.0000	2.00	0.00	4.96	4.96	0.00	4.00	2.00	
247	247	R0976	329	Los Nietos School Dist. Educat. Ctr	8324 S Westman Avenue	Whittier	90606	Ri	1	0	School	2.0000	2.00	0.00	4.96	4.96	0.00	4.00	2.00	

Central Basin Municipal Water District - Existing Database (Final from S. Surbey 12/16/99)

User	User									TTLAVG	IRRAVG	INDAVG	TTLPK	IRRPK	INDPK	IRRPK	INDPK			
Pro.	Pro.	ID	NAME	NAME2	USER_NAME	ADDRESS	CITY	ZIP	Pr	IRR	IND	IRRIG_TYPE	AFY	AFY	AFY	GPM	GPM	GPM	FCTR	FCTR
255	256	R1040	338	Redev Property	Norwalk Blvd & Los Nietos Rd	Santa Fe Springs	90670	Ri	1	0	Landscape	2.0000	2.00	0.00	4.96	4.96	0.00	4.00	2.00	
258	259	R1065	342	Pedco Parts	9911 Norwalk Boulevard	Santa Fe Springs	90670	Ri	1	0	Landscape	2.0000	2.00	0.00	4.96	4.96	0.00	4.00	2.00	
630	633	R2014	555	Elizabeth Portillo	4912 Tobias Ave	Pico Rivera	90660	Ri	1	0	Property Mgt	2.0000	2.00	0.00	4.96	4.96	0.00	4.00	2.00	
661	664	R2045	586	Galstian Family Trust	8818 Whittier Blvd	Pico Rivera	90660	Ri	1	0	Property Mgt	2.0000	2.00	0.00	4.96	4.96	0.00	4.00	2.00	
667	670	R2051	592	Casa Rivera	7320 Rosemead Blvd	Pico Rivera	90660	Ri	1	0	Apartment	2.0000	2.00	0.00	4.96	4.96	0.00	4.00	2.00	
682	685	R2066	607	Mona Lisa Apts.	5132 San Gabriel Pl	Pico Rivera	90660	Ri	1	0	Apartment	2.0000	2.00	0.00	4.96	4.96	0.00	4.00	2.00	
693	696	R2077	618	H Erwin	4728 Walnut Ave	Pico Rivera	90660	Ri	1	0	Property Mgt	2.0000	2.00	0.00	4.96	4.96	0.00	4.00	2.00	
703	706	R2087	628	C & N Investments	8915 Dunlap Crossing Rd	Pico Rivera	90660	Ri	1	0	Property Mgt	2.0000	2.00	0.00	4.96	4.96	0.00	4.00	2.00	
727	730	R2111	652	Jan Lyn Apts/r. Masino	4542 Durfee Ave	Pico Rivera	90660	Ri	1	0	Apartment	2.0000	2.00	0.00	4.96	4.96	0.00	4.00	2.00	
0	0	C0096	0	Foster @ Premier Ave	Foster and Premier	Downey		Ce	1	0	Caltrans	1.0000	1.00	0.00	0.00	0.00	0.00	4.00	2.00	
83	83	C0262	92	Town Center Walkway	Joslin St. & Fallon Ave.	Santa Fe Springs	90670	Ce	1	0	Landscape	1.0000	1.00	0.00	2.48	2.48	0.00	4.00	2.00	
91	91	C0508	104	St. Pius Tenth Church	10827 S. Pioneer Road	Santa Fe Springs	90670	Ce	1	0	Landscape	1.0000	1.00	0.00	2.48	2.48	0.00	4.00	2.00	
871	875	C1101	143	Arturo Sanchez School	11960 E. 162nd St	Norwalk	90650	Ce	1	0	School	1.0000	1.00	0.00	2.48	2.48	0.00	4.00	2.00	
872	876	C1102	144	Hermosillo Park	12000 162nd St	Norwalk	90650	Ce	1	0	Park	1.0000	1.00	0.00	2.48	2.48	0.00	4.00	2.00	
884	888	C2003	938	Cesar Chavez School	12110 E Walnut St	Norwalk	90650	Ce	1	0	School	1.0000	1.00	0.00	2.48	2.48	0.00	4.00	2.00	
885	889	C2004	939	Gallatin Elementary School	9513 Brookshire Ave	Downey	90241	Ce	1	0	School	15.0000	1.00	0.00	2.48	2.48	0.00	4.00	2.00	
886	890	C2005	940	Imperial Elementary School	8133 Imperial Hwy	Downey	90242	Ce	1	0	School	20.0000	1.00	0.00	2.48	2.48	0.00	4.00	2.00	
887	891	C2006	941	Lynn L. Pace Elementary School	9625 Van Ruiten St.	Bellflower	90706	Ce	1	0	School	1.0000	1.00	0.00	2.48	2.48	0.00	4.00	2.00	
889	893	C2008	943	Rio Hondo Elementary School	7731 Muller St	Downey	90241	Ce	1	0	School	20.0000	1.00	0.00	2.48	2.48	0.00	4.00	2.00	
890	894	C2009	944	Unsworth Elementary School	9001 Lindsey Ave	Downey	90240	Ce	1	0	School	30.0000	1.00	0.00	2.48	2.48	0.00	4.00	2.00	
891	895	C2010	945	Williams Elementary School	7530 Arnett	Downey	90241	Ce	1	0	School	15.0000	1.00	0.00	2.48	2.48	0.00	4.00	2.00	
893	897	C2012	947	Downey High School	11040 Brookshire Ave	Downey	90241	Ce	1	0	School	35.0000	1.00	0.00	2.48	2.48	0.00	4.00	2.00	
894	898	C2013	948	Warren High School	8141 De Palma St.	Downey	90241	Ce	1	0	School	60.0000	1.00	0.00	2.48	2.48	0.00	4.00	2.00	
895	899	C2014	949	Physically Handicapped Center	7601 E. Imperial Hwy	Downey	90242	Ce	1	0	School	9.0000	1.00	0.00	2.48	2.48	0.00	4.00	2.00	
118	118	R0190	156	Walnut Tree Med: 12349 Whittier Bl	12349 Whittier Blvd	Whittier	90660	Ri	1	0	Landscape	1.0000	1.00	0.00	2.48	2.48	0.00	4.00	2.00	
125	125	R0263	164	CSFS-NE corner Telegraph/Norwalk	Norwalk & Telegraph	Santa Fe Springs	90670	Ri	1	0	Landscape	1.0000	1.00	0.00	2.48	2.48	0.00	4.00	2.00	
149	149	R0421	188	Whittier Hills Park	Orange Dr. & Greenleaf Ave.	Whittier	90660	Ri	1	0	Preserve	1.0000	1.00	0.00	2.48	2.48	0.00	4.00	2.00	
152	152	R0429	191	Boone Fetter Associates	11841 East Telegraph Road	Santa Fe Springs	90670	Ri	1	0	Landscape	1.0000	1.00	0.00	2.48	2.48	0.00	4.00	2.00	
155	155	R0500	196	Lugo Park	4250 Elizabeth St	Cudahy	90255	Ri	1	0	Park	1.0000	1.00	0.00	2.48	2.48	0.00	4.00	2.00	
160	160	R0523	202	Pioneer Garden Apartments	9039 Pioneer Boulevard	Santa Fe Springs	90670	Ri	1	0	Apartment	1.0000	1.00	0.00	2.48	2.48	0.00	4.00	2.00	
161	161	R0524	203	Placita Park Apartments	9353 Pioneer Boulevard	Santa Fe Springs	90670	Ri	1	0	Apartment	1.0000	1.00	0.00	2.48	2.48	0.00	4.00	2.00	
164	164	R0600	206	(Clara School) Teresa High School	1500 East 14th Street	Los Angeles	90051	Ri	1	0	School	1.0000	1.00	0.00	2.48	2.48	0.00	4.00	2.00	
257	258	R1061	341	Median - Bloomfield S/o Clark St.	Bloomfield & Clark Street	Santa Fe Springs	90670	Ri	1	0	Landscape	1.0000	1.00	0.00	2.48	2.48	0.00	4.00	2.00	
816	819	R1456	540	Pioneer High School	10800 E. Benavon St	Whittier	90606	Ri	1	0	School	1.0000	1.00	0.00	2.48	2.48	0.00	4.00	2.00	
634	637	R2018	559	M Corral	5316 Rosemead Blvd	Pico Rivera	90660	Ri	1	0	Property Mgt	1.0000	1.00	0.00	2.48	2.48	0.00	4.00	2.00	
635	638	R2019	560	Frank Bullard	5260 Rosemead Blvd	Pico Rivera	90660	Ri	1	0	Property Mgt	1.0000	1.00	0.00	2.48	2.48	0.00	4.00	2.00	
648	651	R2032	573	Sanwa Bank California #	9001 Whittier Blvd	Pico Rivera	90660	Ri	1	0	Bank	1.0000	1.00	0.00	2.48	2.48	0.00	4.00	2.00	
660	663	R2044	585	Galstein Family Trust	8800 Whittier Blvd	Pico Rivera	90660	Ri	1	0	Property Mgt	1.0000	1.00	0.00	2.48	2.48	0.00	4.00	2.00	
662	665	R2046	587	Coast Asset Management	6505 Rosemead Blvd	Pico Rivera	90660	Ri	1	0	Property Mgt	1.0000	1.00	0.00	2.48	2.48	0.00	4.00	2.00	
672	675	R2056	597	L D Thomason	9316 Washington Blvd	Pico Rivera	90660	Ri	1	0	Property Mgt	1.0000	1.00	0.00	2.48	2.48	0.00	4.00	2.00	
699	702	R2083	624	Richard Duran	4707 Rosemead Blvd	Pico Rivera	90660	Ri	1	0	Property Mgt	1.0000	1.00	0.00	2.48	2.48	0.00	4.00	2.00	
710	713	R2094	635	Nijjar Realty - 101	5327 Rosemead Blvd	Pico Rivera	90660	Ri	1	0	Property Mgt	1.0000	1.00	0.00	2.48	2.48	0.00	4.00	2.00	
713	716	R2097	638	George Sehremelis	8407 Washington Blvd	Pico Rivera	90660	Ri	1	0	Property Mgt	1.0000	1.00	0.00	2.48	2.48	0.00	4.00	2.00	
737	740	R2121	662	La Co Mech Dept	6631 Passons Blvd	Pico Rivera	90660	Ri	1	0	NA	1.0000	1.00	0.00	2.48	2.48	0.00	4.00	2.00	
774	777	R2203	670	Rosewood Park Elementary School	2353 S. Commerce Wy	Commerce	90040	Ri	1	0	School	1.0000	1.00	0.00	2.48	2.48	0.00	4.00	2.00	
775	778	R2204	671	Bandini Elementary School	2318 Coutts Ave	Commerce	90040	Ri	1	0	School	1.0000	1.00	0.00	2.48	2.48	0.00	4.00	2.00	
776	779	R2205	672	Colmar Elementary School	6139 Loveland St	Bell Gardens	90201	Ri	1	0	School	1.0000	1.00	0.00	2.48	2.48	0.00	4.00	2.00	
777	780	R2206	673	Eastmont Elementary School	630 S. Leonard Ave.	Los Angeles	90022	Ri	1	0	School	1.0000	1.00	0.00	2.48	2.48	0.00	4.00	2.00	
778	781	R2207	674	Fremont Elementary School	200 W Madison Ave	Montebello	90640	Ri	1	0	School	1.0000	1.00	0.00	2.48	2.48	0.00	4.00	2.00	
779	782	R2208	675	Garfield Elementary School	7425 Garfield Ave	Bell Gardens	90201	Ri	1	0	School	1.0000	1.00	0.00	2.48	2.48	0.00	4.00	2.00	
780	783	R2209	676	Greenwood Elementary School	900 S. Greenwood Ave.	Montebello	90640	Ri	1	0	School	1.0000	1.00	0.00	2.48	2.48	0.00	4.00	2.00	
781	784	R2210	677	La Merced Elementary School	724 N. Poplar Ave	Montebello	90640	Ri	1	0	School	1.0000	1.00	0.00	2.48	2.48	0.00	4.00	2.00	

Central Basin Municipal Water District - Existing Database (Final from S. Surbey 12/16/99)

User	User									TTLAVG	IRRAVG	INDAVG	TTLPK	IRRPK	INDPK	IRRPK	INDPK			
Pro.	Pro.	ID	NAME	NAME2	USER_NAME	ADDRESS	CITY	ZIP	Pr	IRR	IND	IRRIG_TYPE	AFY	AFY	AFY	GPM	GPM	GPM	FCTR	FCTR
782	785	R2212	678	Montebello Park Elementary School	6300 Northside Dr	Los Angeles	90022	Ri	1	0	School	1.0000	1.00	0.00	2.48	2.48	0.00	4.00	2.00	
783	786	R2213	679	Suva Elementary School	6740 E. Suva St	Bell Gardens	90201	Ri	1	0	School	1.0000	1.00	0.00	2.48	2.48	0.00	4.00	2.00	
784	787	R2214	680	Washington Elementary School	1400 W. Madison Ave	Montebello	90640	Ri	1	0	School	1.0000	1.00	0.00	2.48	2.48	0.00	4.00	2.00	
785	788	R2215	681	Wilcox Elementary School	816 Donna Wy	Montebello	90640	Ri	1	0	School	1.0000	1.00	0.00	2.48	2.48	0.00	4.00	2.00	
786	789	R2216	682	Winter Gardens Elementary School	1277 S. Clela Ave	Los Angeles	90022	Ri	1	0	School	1.0000	1.00	0.00	2.48	2.48	0.00	4.00	2.00	
787	790	R2217	683	Eastmont Intermediate School	400 N. Bradshawe St.	Montebello	90640	Ri	1	0	School	1.0000	1.00	0.00	2.48	2.48	0.00	4.00	2.00	
788	791	R2218	684	La Merced Intermediate School	215 E. Avenida De La Merced	Montebello	90640	Ri	1	0	School	1.0000	1.00	0.00	2.48	2.48	0.00	4.00	2.00	
790	793	R2222	686	Schurr High School	820 Wilcox Ave	Montebello	90640	Ri	1	0	School	1.0000	1.00	0.00	2.48	2.48	0.00	4.00	2.00	
791	794	R2223	687	Futures High School	2100 W. Cleveland Ave	Montebello	90640	Ri	1	0	School	1.0000	1.00	0.00	2.48	2.48	0.00	4.00	2.00	
792	795	R2224	688	Horizons High School	5840 Florence Ave	Bell Gardens	90201	Ri	1	0	School	1.0000	1.00	0.00	2.48	2.48	0.00	4.00	2.00	
793	796	R2225	689	Vail High School	1230 S. Vail Ave.	Montebello	90640	Ri	1	0	School	1.0000	1.00	0.00	2.48	2.48	0.00	4.00	2.00	
794	797	R2226	690	Adult Education Office	149 N. 21st St	Montebello	90640	Ri	1	0	School	1.0000	1.00	0.00	2.48	2.48	0.00	4.00	2.00	
795	798	R2227	691	Bell Gardens Adult School	6119 Agra St	Bell Gardens	90201	Ri	1	0	School	1.0000	1.00	0.00	2.48	2.48	0.00	4.00	2.00	
796	799	R2228	692	Ford Park Adult School	7800 Scout Ave	Bell Gardens	90201	Ri	1	0	School	1.0000	1.00	0.00	2.48	2.48	0.00	4.00	2.00	
817	820	R2232	693	Andrew's, Wallen Elementary School	1010 S. Caraway Dr	Whittier	90601	Ri	1	0	School	1.0000	1.00	0.00	2.48	2.48	0.00	4.00	2.00	
818	821	R2233	694	Hoover, Lou Henry Elementary School	6302 S. Alta Ave	Whittier	90601	Ri	1	0	School	1.0000	1.00	0.00	2.48	2.48	0.00	4.00	2.00	
819	822	R2234	695	Jackson, Lydia Elementary School	8015 S. Painter Ave.	Whittier	90602	Ri	1	0	School	1.0000	1.00	0.00	2.48	2.48	0.00	4.00	2.00	
820	823	R2235	696	Lincoln, Abraham Elementary School	12620 E. Broadway	Whittier	90601	Ri	1	0	School	1.0000	1.00	0.00	2.48	2.48	0.00	4.00	2.00	
821	824	R2236	697	Mill Elementary School	4030 S. Workman Mill Rd	Whittier	90601	Ri	1	0	School	1.0000	1.00	0.00	2.48	2.48	0.00	4.00	2.00	
822	825	R2237	698	Phelan Elementary School	7150 S. Cully Ave	Whittier	90606	Ri	1	0	School	1.0000	1.00	0.00	2.48	2.48	0.00	4.00	2.00	
823	826	R2239	699	Carmela Children's Center	13000 Lakeland Rd	Whittier	90605	Ri	1	0	School	1.0000	1.00	0.00	2.48	2.48	0.00	4.00	2.00	
824	827	R2240	700	Lake Marie Elementary School	10001 Carmenita Rd	Whittier	90605	Ri	1	0	School	1.0000	1.00	0.00	2.48	2.48	0.00	4.00	2.00	
825	828	R2241	701	Loma Vista Elementary School	13463 E. Meyer Rd	Whittier	90605	Ri	1	0	School	1.0000	1.00	0.00	2.48	2.48	0.00	4.00	2.00	
826	829	R2242	702	Los Altos Elementary School	12001 Bonavista Lane	Whittier	90605	Ri	1	0	School	1.0000	1.00	0.00	2.48	2.48	0.00	4.00	2.00	
827	830	R2243	703	McKibben, Howard Elementary School	10550 Mills Ave	Whittier	90604	Ri	1	0	School	1.0000	1.00	0.00	2.48	2.48	0.00	4.00	2.00	
828	831	R2244	704	Monte Vista Elementary School	12000 Loma Dr	Whittier	90604	Ri	1	0	School	1.0000	1.00	0.00	2.48	2.48	0.00	4.00	2.00	
829	832	R2245	705	Telechron Elementary School	11200 Telechron Ave	Whittier	90604	Ri	1	0	School	1.0000	1.00	0.00	2.48	2.48	0.00	4.00	2.00	
830	833	R2246	706	South Whittier Intermediate School	13243 E. Los Nietos Rd	Whittier	90605	Ri	1	0	School	1.0000	1.00	0.00	2.48	2.48	0.00	4.00	2.00	
35	35	C0069	37	Paramount Petroleum	14700 Downey Avenue	Paramount	90242	Ce	0	1	NA	300.0000	0.00	300.00	372.00	0.00	372.00	4.00	2.00	
0	0	C0095	0	Treasure Island Park		Downey		CE	1	0	Park	0.0000	0.00	0.00	0.00	0.00	0.00	0.00	0.00	
86	86	C0401	95	Powerine Refinery	12354 Lakeland Rd	Santa Fe Springs	90670	Ce	0	1	NA	500.0000	0.00	500.00	620.00	0.00	620.00	4.00	2.00	
87	87	C0410	97	Maruichi American Corp.	11529 S. Greenstone Avenue	Santa Fe Springs	90670	Ce	0	1	NA	3.0000	0.00	3.00	3.72	0.00	3.72	4.00	2.00	
881	885	C0455	100	Transit Mixed Concrete Co.	Florence Ave & Norwalk Blvd	Santa Fe Springs	90670	Ce	0	1	NA	18.0000	0.00	18.00	22.32	0.00	22.32	4.00	2.00	
89	89	C0486	102	RHS Carpets	15180 Spring Avenue	Santa Fe Springs	90670	Ce	0	1	NA	0.0000	0.00	0.00	0.00	0.00	0.00	4.00	2.00	
90	90	C0494	103	Tuftex Industries	15305 Valley View Avenue	Santa Fe Springs	90670	Ce	0	1	NA	720.0000	0.00	720.00	892.80	0.00	892.80	4.00	2.00	
92	92	C0532	107	Conway Western Express	12903 Lakeland Road	Santa Fe Springs	90670	Ce	0	1	NA	16.0000	0.00	16.00	19.84	0.00	19.84	4.00	2.00	
0	0	C0640	0	Barksdale Controls		Vernon		CB				10.0000	0.00	10.00	0.00	0.00	0.00	0.00	0.00	
0	0	C0644	0	Primo Corp		Vernon		CB				6.0000	0.00	6.00	0.00	0.00	0.00	0.00	0.00	
0	0	C0647	0	Dales Transport		Vernon		CB				6.0000	0.00	6.00	0.00	0.00	0.00	0.00	0.00	
98	98	C1005	113	Pacific Alloy Casting, Inc.	5900 E. Firestone Blvd	Downey	90241	Ce	0	1	NA	10.0000	0.00	10.00	12.40	0.00	12.40	4.00	2.00	
102	102	C1009	117	Robertson's Ready Mix	12311 Greenstone Avenue	Santa Fe Springs	90670	Ce	0	1	NA	20.0000	0.00	20.00	24.80	0.00	24.80	4.00	2.00	
847	851	C1083	125	Formosa Dyeing	15125 Marquardt Ave	Santa Fe Springs	90670	Ce	0	1	NA	60.0000	0.00	60.00	74.40	0.00	74.40	4.00	2.00	
848	852	C1084	126	S.S. Dyeing	11217 Shoemaker Ave	Santa Fe Springs	90670	Ce	0	1	NA	23.0000	0.00	23.00	28.52	0.00	28.52	4.00	2.00	
838	842	C2001	146	Stone Container Corporation	13833 E Freeway Drive	Santa Fe Springs	90670	Ce	0	1	NA	25.0000	0.00	25.00	50.84	19.84	31.00	4.00	2.00	
876	880	C2002	937	MSH - Cogeneration Facility	11400 Norwalk Blvd	Norwalk	90650	Ce	0	1	NA	200.0000	0.00	200.00	248.00	0.00	248.00	4.00	2.00	
839	843	C2021	124	Paramount Ready-Mix	7277 E. Rosecrans Ave	Paramount	90723	Ce	0	1	NA	15.0000	0.00	15.00	18.60	0.00	18.60	4.00	2.00	
120	120	R0210	158	Med: Santa Fe Sprgs Rd N/O Cullen	Santa Fe Sprgs Rd & Cullen	Whittier	90660	Ri	1	0	Landscape	0.0000	0.00	0.00	0.00	0.00	0.00	4.00	2.00	
121	121	R0230	160	Med: Santa Fe Springs Rd N/O Adler	Santa Fe Sprgs Rd & Adler	Whittier	90660	Ri	1	0	Landscape	0.0000	0.00	0.00	0.00	0.00	0.00	4.00	2.00	
122	122	R0240	161	Med: Santa Fe Springs Rd N/O Nobal	Santa Fe Sprgs Rd & Nogal	Whittier	90660	Ri	1	0	Landscape	0.0000	0.00	0.00	0.00	0.00	0.00	4.00	2.00	
123	123	R0250	162	Med: Santa Fe Springs Rd S/O Foxley	Santa Fe Sprgs Rd & Foxley	Whittier	90660	Ri	1	0	Landscape	0.0000	0.00	0.00	0.00	0.00	0.00	4.00	2.00	
124	124	R0260	163	Med: Santa Fe Sprgs Rd N/O Shreve	Santa Fe Sprgs Rd. & Shreve	Whittier	90660	Ri	1	0	Landscape	0.0000	0.00	0.00	0.00	0.00	0.00	4.00	2.00	
128	128	R0270	167	13000 Mulberry Landscape	13105 Mulberry	Whittier	90660	Ri	1	0	Landscape	0.0000	0.00	0.00	0.00	0.00	0.00	4.00	2.00	

Central Basin Municipal Water District - Existing Database (Final from S. Surbey 12/16/99)

User	User									TTLAVG	IRRAVG	INDAVG	TTLPK	IRRPK	INDPK	IRRPK	INDPK			
Pro.	Pro.	ID	NAME	NAME2	USER_NAME	ADDRESS	CITY	ZIP	Pr	IRR	IND	IRRIG_TYPE	AFY	AFY	AFY	GPM	GPM	GPM	FCTR	FCTR
129	129	R0280	168	12000	Mulberry Landscape	12910/12735 Mulberry	Whittier	90660	Ri	1	0	Landscape	0.0000	0.00	0.00	0.00	0.00	0.00	4.00	2.00
131	131	R0301	170	U.S.	Gypsum	4500 Ardine Street	South Gate	90280	Ri	0	1	NA	134.0000	0.00	134.00	166.16	0.00	166.16	4.00	2.00
140	140	R0384	179	U.S.	Gypsum	9306 Sorenson Road	Santa Fe Springs	90670	Ri	0	1	NA	135.0000	0.00	135.00	167.40	0.00	167.40	4.00	2.00
143	143	R0401	182	Philadelphia	Quartz	8401 Quartz Avenue	South Gate	90280	Ri	0	1	NA	62.0000	0.00	62.00	76.88	0.00	76.88	4.00	2.00
148	148	R0420	187	T-Chem		9028 Dice Road	Santa Fe Springs	90670	Ri	0	1	NA	1.0000	0.00	1.00	1.24	0.00	1.24	4.00	2.00
150	150	R0425	189	Wt.	Billiard Inc.	10261 Matern Place	Santa Fe Springs	90670	Ri	0	1	Landscape	2.0000	0.00	2.00	7.48	5.00	2.48	4.00	2.00
151	151	R0427	190	Cascade	Pump Company	10107 Norwalk Boulevard	Santa Fe Springs	90670-0767	Ri	0	1	NA	0.0000	0.00	0.00	0.00	0.00	0.00	4.00	2.00
153	153	R0430	192	McMaster	Car Supply Company	9630 Norwalk Boulevard	Santa Fe Springs	90670	Ri	0	1	Landscape	49.0000	0.00	49.00	182.28	121.52	60.76	4.00	2.00
240	240	R0447	193	Crockett	Container Corporation	9211 Norwalk Boulevard	Santa Fe Springs	90670	Ri	0	1	NA	40.0000	0.00	40.00	49.60	0.00	49.60	4.00	2.00
154	154	R0471	195	Trojan	Battery Company	12380 Clark Street	Santa Fe Springs	90670	Ri	0	1	NA	7.0000	0.00	7.00	8.68	0.00	8.68	4.00	2.00
156	156	R0501	197	Barnett	Tool & Engineering	9920 Freeman Avenue	Santa Fe Springs	90670	Ri	0	1	NA	3.0000	0.00	3.00	3.72	0.00	3.72	4.00	2.00
157	157	R0502	198	Med:	Santa Fe Sprgs Rd S/O Cullen	Santa Fe Sprgs Rd & Cullen	Whittier	90660	Ri	1	0	Landscape	0.0000	0.00	0.00	0.00	0.00	0.00	4.00	2.00
749	752	R0503	199	Clara	Street Park	4800 Clara St	Cudahy	90255	Ri	1	0	Park	0.0000	0.00	0.00	0.00	0.00	0.00	4.00	2.00
158	158	R0506	200	Mission	Clay Products	10009 South Painter Avenue	Santa Fe Springs	90670	Ri	0	1	NA	2.0000	0.00	2.00	2.48	0.00	2.48	4.00	2.00
551	554	R0602	208	Bicknell	Park	850 Via San Clemente	Montebello	90640	Ri	1	0	Park	0.0000	0.00	0.00	0.00	0.00	0.00	4.00	2.00
165	165	R0618	209	Amvac	Chemical	4100 East Washington Blvd.	Commerce	90023	Ri	0	1	NA	0.0000	0.00	0.00	0.00	0.00	0.00	4.00	2.00
166	166	R0619	210	Garfield	High School	5101 East 6th Street	Los Angeles	90022	Ri	1	0	School	0.0000	0.00	0.00	0.00	0.00	0.00	4.00	2.00
553	556	R0620	211	Cal.	State University L.A.	5151 State University Dr	Los Angeles	90032	Ri	1	0	Landscape	0.0000	0.00	0.00	0.00	0.00	0.00	4.00	2.00
167	167	R0621	212	Monterey	Park Golf Course	3600 Ramona Blvd.	Monterey Park	91754	Ri	1	0	Golf Course	0.0000	0.00	0.00	0.00	0.00	0.00	4.00	2.00
168	168	R0622	213	Allied	Feather & Down	2661 E. 46th St.	Vernon	90058	Ri	0	1	NA	11.0000	0.00	11.00	13.64	0.00	13.64	4.00	2.00
169	169	R0625	214	Aratex	Services, Inc.	4422 Dunham Street	Commerce	90022	Ri	0	1	NA	140.0000	0.00	140.00	173.60	0.00	173.60	4.00	2.00
170	170	R0627	215	Certified	Grocers of California	2601 South Eastern Avenue	Bell Gardens	90040	Ri	0	1	NA	0.0000	0.00	0.00	0.00	0.00	0.00	4.00	2.00
0	0	R0628	0	Metal	Surfaces		Bell Gardens		CE	0	1		85.0000	0.00	85.00	0.00	0.00	0.00	0.00	0.00
171	171	R0629	216	Container	Corporation of America	2001 East 57th Street	Vernon	90058	Ri	0	1	NA	300.0000	0.00	300.00	372.00	0.00	372.00	4.00	2.00
172	172	R0637	219	Reprocell		5600 S. Alameda St	Vernon	90058	Ri	0	1	NA	68.0000	0.00	68.00	84.32	0.00	84.32	4.00	2.00
173	173	R0641	222	Packaging	Company of America	4240 Bandini Boulevard	Vernon	90058	Ri	0	1	NA	20.0000	0.00	20.00	24.80	0.00	24.80	4.00	2.00
174	174	R0642	223	Precision	Spec Metal	3301 Medford Street	Los Angeles	90063	Ri	0	1	NA	11.0000	0.00	11.00	13.64	0.00	13.64	4.00	2.00
175	175	R0643	224	Punch	Press Products	1911 E. 51st St.	Vernon	90058	Ri	0	1	NA	1.0000	0.00	1.00	1.24	0.00	1.24	4.00	2.00
176	176	R0645	225	Welch's	Uniform Rental	5950 Alcoa Avenue	Vernon	90058	Ri	0	1	NA	77.0000	0.00	77.00	95.48	0.00	95.48	4.00	2.00
177	177	R0646	226	West	Coast Rendering	4105 Bandini Boulevard	Vernon	90023	Ri	0	1	NA	33.0000	0.00	33.00	40.92	0.00	40.92	4.00	2.00
178	178	R0648	228	Livingston	Graham Co.	2822 South Soto Street	Vernon	90023	Ri	0	1	NA	10.0000	0.00	10.00	12.40	0.00	12.40	4.00	2.00
556	559	R0691	246	Caltrans	I-710 & I-5	I-710 & I 5	Commerce		Ri	1	0	Caltrans	0.0000	0.00	0.00	0.00	0.00	0.00	4.00	2.00
190	190	R0704	248	All	American Manufacturing Company	2201 E. 51st St.	Vernon	90058	Ri	0	1	NA	4.0000	0.00	4.00	4.96	0.00	4.96	4.00	2.00
191	191	R0705	249	Aluminum	Company of America	5151 Alcoa Avenue	Vernon	90058	Ri	0	1	NA	447.0000	0.00	447.00	554.28	0.00	554.28	4.00	2.00
212	212	R0706	250	Angelus	Sanitary Can Co.	4900 Pacific Blvd.	Vernon	90058-2297	Ri	0	1	NA	10.0000	0.00	10.00	12.40	0.00	12.40	4.00	2.00
213	213	R0711	251	Baker	Commodities	4020 Bandini Blvd.	Vernon	90040	Ri	0	1	NA	124.0000	0.00	124.00	153.76	0.00	153.76	4.00	2.00
192	192	R0724	255	California	Webbing	4560 Pacific Blvd	Vernon	90058-0165	Ri	0	1	NA	10.0000	0.00	10.00	12.40	0.00	12.40	4.00	2.00
195	195	R0737	256	Chem-Tech	System Inc.	3650 E. 26th St.	Vernon	90023	Ri	0	1	NA	11.0000	0.00	11.00	13.64	0.00	13.64	4.00	2.00
196	196	R0752	257	Dower	Associates	5401 Downey Rd.	Vernon	90058	Ri	0	1	NA	2.0000	0.00	2.00	2.48	0.00	2.48	4.00	2.00
197	197	R0754	258	Colortex	Dye-finish	4500 East Dunham Street	Commerce	90023	Ri	0	1	NA	333.0000	0.00	333.00	412.92	0.00	412.92	4.00	2.00
198	198	R0757	260	Eastman	Kodak Company	12100 E Rivera Road	Whittier	90606	Ri	0	1	NA	0.0000	0.00	0.00	0.00	0.00	0.00	4.00	2.00
200	200	R0768	262	Filtrol	Corporation	3200 East Washington	Vernon	90058	Ri	0	1	NA	40.0000	0.00	40.00	49.60	0.00	49.60	4.00	2.00
204	204	R0781	267	George	Industries	4116 Whiteside Street	Los Angeles	90063	Ri	0	1	NA	163.0000	0.00	163.00	202.12	0.00	202.12	4.00	2.00
205	205	R0782	268	GNB	Batteries, Inc.	2717 South Indiana Street	Vernon	90023	Ri	0	1	NA	90.0000	0.00	90.00	111.60	0.00	111.60	4.00	2.00
207	207	R0804	276	LA	Dye Works (Pico Rivera)	6849 Washington Blvd.	Pico Rivera	90660	Ri	0	1	NA	100.0000	0.00	100.00	124.00	0.00	124.00	4.00	2.00
208	208	R0806	277	LA	Washrack	4417 Downey Road	Vernon	90058	Ri	0	1	NA	5.0000	0.00	5.00	6.20	0.00	6.20	4.00	2.00
209	209	R0814	279	Lever	Brothers	6500 Sheila Street	Commerce	90040	Ri	0	1	NA	0.0000	0.00	0.00	0.00	0.00	0.00	4.00	2.00
811	814	R0819	281	Manufacturing	Clearance	4601 S. Soto St.	Vernon	90058	Ri	0	1	NA	5.0000	0.00	5.00	6.20	0.00	6.20	4.00	2.00
215	215	R0840	289	Norris	Company	2909 East 54th Street	Vernon	90058	Ri	0	1	NA	18.0000	0.00	18.00	22.32	0.00	22.32	4.00	2.00
216	216	R0841	290	Norris	Company-Building 5	4400 South Boyle Ave.	Vernon	90058	Ri	0	1	NA	194.0000	0.00	194.00	240.56	0.00	240.56	4.00	2.00
217	217	R0844	291	OEM	Corp.	4053 Union Pacific Ave.	Los Angeles	90023	Ri	0	1	NA	75.0000	0.00	75.00	93.00	0.00	93.00	4.00	2.00
218	218	R0848	292	Owens	Brockway	2901 East Fruitland Avenue	Vernon	90058	Ri	0	1	NA	0.0000	0.00	0.00	0.00	0.00	0.00	4.00	2.00

Central Basin Municipal Water District - Existing Database (Final from S. Surbey 12/16/99)

User	User									TTLAVG	IRRAVG	INDAVG	TTLPK	IRRPK	INDPK	IRRPK	INDPK			
Pro.	Pro.	ID	NAME	NAME2	USER_NAME	ADDRESS	CITY	ZIP	Pr	IRR	IND	IRRIG_TYPE	AFY	AFY	AFY	GPM	GPM	GPM	FCTR	FCTR
219	219	R0850	293	Pacific Anchor Chemical	3305 East 26th Street	Los Angeles	90023	Ri	0	1	NA	5.0000	0.00	5.00	6.20	0.00	6.20	4.00	2.00	
221	221	R0853	294	Pacific Fabric Printers	5164 Alcoa Avenue	Vernon	90058	Ri	0	1	NA	104.0000	0.00	104.00	128.96	0.00	128.96	4.00	2.00	
222	222	R0912	300	Southland Box Co.	4955 Maywood Ave.	Vernon	90058	Ri	0	1	NA	5.0000	0.00	5.00	6.20	0.00	6.20	4.00	2.00	
223	223	R0914	301	Specific Plating Co.	1350 S. Eastern Ave.	Commerce	90022	Ri	0	1	NA	28.0000	0.00	28.00	34.72	0.00	34.72	4.00	2.00	
224	224	R0916	302	Sunlaw Coldgen Plant Cogen. Partn.	4151 Fruitland Avenue	Vernon	90058	Ri	0	1	NA	250.0000	0.00	250.00	310.00	0.00	310.00	4.00	2.00	
225	225	R0917	303	Sunlaw Grogen Plant Cogen. Partn.	3470 East Vernon Avenue	Vernon	90058	Ri	0	1	NA	250.0000	0.00	250.00	310.00	0.00	310.00	4.00	2.00	
226	226	R0918	304	Tissurama	3001 Sierra Pine Avenue	Vernon	90023	Ri	0	1	NA	605.0000	0.00	605.00	750.20	0.00	750.20	4.00	2.00	
227	227	R0927	305	US Boys	2121 East 37th Street	Vernon	90058	Ri	0	1	NA	29.0000	0.00	29.00	35.96	0.00	35.96	4.00	2.00	
228	228	R0929	306	Light & Power Dept., City of Vernon	2715 E. 50th St.	Vernon	90058	Ri	0	1	NA	10.0000	0.00	10.00	12.40	0.00	12.40	4.00	2.00	
538	541	R0930	307	Vernon Truck Wash	3308 Bandini Boulevard	Vernon	90058	Ri	0	1	NA	33.0000	0.00	33.00	40.92	0.00	40.92	4.00	2.00	
539	542	R0941	308	Winkler Flexible Products	5400 E. Olympic Blvd.	Commerce	90022	Ri	0	1	NA	35.0000	0.00	35.00	43.40	0.00	43.40	4.00	2.00	
248	248	R0978	330	Pabco Paper Products	4444 Pacific Boulevard	Vernon	90058	Ri	0	1	NA	200.0000	0.00	200.00	248.00	0.00	248.00	4.00	2.00	
249	249	R0980	331	Lucky Container Corp.	6160 Malburg Wy.	Vernon	90058	Ri	0	1	NA	6.0000	0.00	6.00	7.44	0.00	7.44	4.00	2.00	
250	251	R1001	333	LA Dye Works, Inc (Rainbow Div)	1800 East 50th Street	Los Angeles	90058	Ri	0	1	NA	500.0000	0.00	500.00	620.00	0.00	620.00	4.00	2.00	
251	252	R1002	334	LA Dye Works, Inc (Finish Div)	2300 East 52nd Street	Vernon	90058	Ri	0	1	NA	500.0000	0.00	500.00	620.00	0.00	620.00	4.00	2.00	
252	253	R1003	335	Liquid Carbon Specialty Gas Corp.	5700 S. Alameda St.	Vernon	90058	Ri	0	1	NA	3.0000	0.00	3.00	3.72	0.00	3.72	4.00	2.00	
259	260	R1073	344	Sabine Production Company Dalco?	10025 Bloomfield Avenue	Santa Fe Springs	90670	Ri	0	1	NA	20.0000	0.00	20.00	24.80	0.00	24.80	4.00	2.00	
917	263	R1081	348	Liquid Air	8832 Dice Road	Santa Fe Springs	90670	Ri	0	1	NA	30.0000	0.00	30.00	37.20	0.00	37.20	4.00	2.00	
262	264	R1084	349	Diversey Corporation	8921 Dice Road	Santa Fe Springs	90670	Ri	0	1	NA	0.0000	0.00	0.00	0.00	0.00	0.00	4.00	2.00	
812	815	R1086	350	Pressure Vessel Service, Inc.	12522 Los Nietos Rd.	Santa Fe Springs	90670	Ri	0	1	NA	0.0000	0.00	0.00	0.00	0.00	0.00	4.00	2.00	
263	265	R1095	351	Penetrate Metal Processing Service	3517 E. Olympic Blvd.	Los Angeles	90023	Ri	0	1	NA	34.0000	0.00	34.00	42.16	0.00	42.16	4.00	2.00	
264	266	R1099	352	Keshbaff Knitting, Inc.	3014 E. 11th St.	Los Angeles	90023	Ri	0	1	NA	322.0000	0.00	322.00	399.28	0.00	399.28	4.00	2.00	
265	267	R1101	353	HWL Enter., Inc. dba Gene's Plating	3498 E. 14th St.	Los Angeles	90023	Ri	0	1	NA	8.0000	0.00	8.00	9.92	0.00	9.92	4.00	2.00	
266	268	R1102	354	Grover Products Co.	3432 E. Olympic Blvd.	Los Angeles	90023	Ri	0	1	NA	8.0000	0.00	8.00	9.92	0.00	9.92	4.00	2.00	
268	270	R1120	356	California Electro Plating	3510 E. Pico Blvd.	Los Angeles	90023	Ri	0	1	NA	34.0000	0.00	34.00	42.16	0.00	42.16	4.00	2.00	
275	277	R1207	364	Roy Allen Slurry Seal	12643 Emmens Way	Santa Fe Springs	90670	Ri	0	1	NA	4.0000	0.00	4.00	4.96	0.00	4.96	4.00	2.00	
277	279	R1212	367	LA Dye Works	2065 S. Santa Fe Avenue	Los Angeles	90021	Ri	0	1	NA	1000.0000	0.00	1000.00	1240.00	0.00	1240.00	4.00	2.00	
279	281	R1215	369	Teddy's Cho	1753 E. 21st St.	Los Angeles	90058	Ri	0	1	NA	230.0000	0.00	230.00	285.20	0.00	285.20	4.00	2.00	
280	282	R1216	370	Lyle D. Foreman Cont. Uniform Rent	1449 E. Adams Blvd.	Los Angeles	90011	Ri	0	1	NA	152.0000	0.00	152.00	188.48	0.00	188.48	4.00	2.00	
281	283	R1217	371	American Laundry Co.	1701 Hooper Ave.	Los Angeles	90021	Ri	0	1	NA	140.0000	0.00	140.00	173.60	0.00	173.60	4.00	2.00	
282	284	R1218	372	Sung Jin Oh	2416 E. 16th St.	Los Angeles	90021	Ri	0	1	NA	125.0000	0.00	125.00	155.00	0.00	155.00	4.00	2.00	
283	285	R1219	373	Dye-Tex Industries Inc.	1711 Griffith Ave	Los Angeles	90021	Ri	0	1	NA	107.0000	0.00	107.00	132.68	0.00	132.68	4.00	2.00	
284	286	R1220	374	Dong Hwi Kim DBA L A Wash	1102 E. 18th St.	Los Angeles	90021	Ri	0	1	NA	101.0000	0.00	101.00	125.24	0.00	125.24	4.00	2.00	
285	287	R1221	375	Kook Hyun Ro USA Ind. Laundry	1440 Walnut St.	Los Angeles	90011	Ri	0	1	NA	94.0000	0.00	94.00	116.56	0.00	116.56	4.00	2.00	
286	288	R1222	376	Dumont Industries	3436 E Olympic Blvd.	Los Angeles	90023	Ri	0	1	NA	65.0000	0.00	65.00	80.60	0.00	80.60	4.00	2.00	
287	289	R1223	377	Washington Garment Dyeing & Finish.	1341 E. Washington Blvd.	Los Angeles	90021	Ri	0	1	NA	63.0000	0.00	63.00	78.12	0.00	78.12	4.00	2.00	
288	290	R1224	378	ABC Dye House Inc.	1546 E. 14th St.	Los Angeles	90021	Ri	0	1	NA	52.0000	0.00	52.00	64.48	0.00	64.48	4.00	2.00	
289	291	R1225	379	National Serv. Ind., Inc.	1225 Rio Vista Ave.	Los Angeles	90023	Ri	0	1	NA	44.0000	0.00	44.00	54.56	0.00	54.56	4.00	2.00	
290	292	R1226	380	National Railroad Passenger Corp.	2472 E. 8th St.	Los Angeles	90021	Ri	0	1	NA	32.0000	0.00	32.00	39.68	0.00	39.68	4.00	2.00	
292	294	R1228	382	American Laundry Co.	1516 E. Adams Blvd.	Los Angeles	90011	Ri	0	1	NA	40.0000	0.00	40.00	49.60	0.00	49.60	4.00	2.00	
293	295	R1230	384	Domestic Linen Supply	1620 Compton Ave.	Los Angeles	90021	Ri	0	1	NA	38.0000	0.00	38.00	47.12	0.00	47.12	4.00	2.00	
294	296	R1231	385	Super Yarn Markets	1600 E. 25th St.	Los Angeles	90011	Ri	0	1	NA	36.0000	0.00	36.00	44.64	0.00	44.64	4.00	2.00	
295	297	R1232	386	Moon Ji Kim	196 E. Jefferson Blvd.	Los Angeles	90011	Ri	0	1	NA	34.0000	0.00	34.00	42.16	0.00	42.16	4.00	2.00	
296	298	R1233	387	Seymour Antman	635 Stanford Ave.	Los Angeles	90021	Ri	0	1	NA	33.0000	0.00	33.00	40.92	0.00	40.92	4.00	2.00	
299	301	R1237	390	Eshag & Eskandar Kahen DBA Morris	2932 E. 11th St.	Los Angeles	90023	Ri	0	1	NA	29.0000	0.00	29.00	35.96	0.00	35.96	4.00	2.00	
300	302	R1239	392	U Yul Ku	1201 E. Washington Blvd.	Los Angeles	90021	Ri	0	1	NA	26.0000	0.00	26.00	32.24	0.00	32.24	4.00	2.00	
301	303	R1240	393	Sealmaster World Trade Co. Inc.	160 S. Mission Rd.	Los Angeles	90033	Ri	0	1	NA	26.0000	0.00	26.00	32.24	0.00	32.24	4.00	2.00	
302	304	R1241	394	Dumont Industries Inc.	3440 E. Olympic Blvd.	Los Angeles	90023	Ri	0	1	NA	26.0000	0.00	26.00	32.24	0.00	32.24	4.00	2.00	
303	305	R1242	395	Isaac & Israel Abelsky	1701 S. Santa Fe Ave.	Los Angeles	90021	Ri	0	1	NA	25.0000	0.00	25.00	31.00	0.00	31.00	4.00	2.00	
305	307	R1244	397	Ideal Garment Dyers, Inc.	905 E. 8th St.	Los Angeles	90021	Ri	0	1	NA	23.0000	0.00	23.00	28.52	0.00	28.52	4.00	2.00	
307	309	R1246	399	Bruck Braid Co.	2416 E. 8th St.	Los Angeles	90021	Ri	0	1	NA	22.0000	0.00	22.00	27.28	0.00	27.28	4.00	2.00	
308	310	R1247	400	Silk Rose Company Inc.	768 Ceres Ave.	Los Angeles	90021	Ri	0	1	NA	21.0000	0.00	21.00	26.04	0.00	26.04	4.00	2.00	

Central Basin Municipal Water District - Existing Database (Final from S. Surbey 12/16/99)

User	User									TTLAVG	IRRAVG	INDAVG	TTLPK	IRRPK	INDPK	IRRPK	INDPK			
Pro.	Pro.	ID	NAME	NAME2	USER_NAME	ADDRESS	CITY	ZIP	Pr	IRR	IND	IRRIG_TYPE	AFY	AFY	AFY	GPM	GPM	GPM	FCTR	FCTR
316	318	R1273	411	Montebello Container Co.	5150 Industry Ave.	Pico Rivera	90660	Ri	0	1	NA	8.0000	0.00	8.00	9.92	0.00	9.92	4.00	2.00	
317	319	R1276	414	Cintas Corp.	7735 Paramount Blvd.	Pico Rivera	90660	Ri	0	1	NA	79.0000	0.00	79.00	97.96	0.00	97.96	4.00	2.00	
607	610	R1283	421	Coin Laundry	9004-06 Slauson Ave.	Pico Rivera	90660	Ri	0	1	NA	11.0000	0.00	11.00	13.64	0.00	13.64	4.00	2.00	
322	324	R1284	422	Pico Plating	9307 Bermudez St.	Pico Rivera	90660	Ri	0	1	NA	49.0000	0.00	49.00	60.76	0.00	60.76	4.00	2.00	
323	325	R1286	423	Shell Station & Car Wash	9411 Washington Blvd.	Pico Rivera	90660	Ri	0	1	NA	6.0000	0.00	6.00	7.44	0.00	7.44	4.00	2.00	
324	326	R1287	424	Whittier Fertilizer	9415 Kruse Rd.	Pico Rivera	90660	Ri	0	1	NA	16.0000	0.00	16.00	19.84	0.00	19.84	4.00	2.00	
325	327	R1290	425	X-Ray Products (Closed)	7829 Industry Ave.	Pico Rivera	90660	Ri	0	1	NA	7.0000	0.00	7.00	8.68	0.00	8.68	4.00	2.00	
326	328	R1291	426	General Felt	8320 Rex Rd.	Pico Rivera	90660	Ri	0	1	NA	0.0000	0.00	0.00	0.00	0.00	0.00	4.00	2.00	
327	329	R1292	427	M.L. Winters Co.	8467 Loch Lomond Dr.	Pico Rivera	90660	Ri	0	1	NA	6.0000	0.00	6.00	7.44	0.00	7.44	4.00	2.00	
328	330	R1293	428	Windsor Art Products	9101 Perkins St.	Pico Rivera	90660	Ri	0	1	NA	5.0000	0.00	5.00	6.20	0.00	6.20	4.00	2.00	
330	332	R1297	431	Westco Products	7351 Crider Ave.	Pico Rivera	90660	Ri	0	1	NA	0.0000	0.00	0.00	0.00	0.00	0.00	4.00	2.00	
331	333	R1298	432	Aurora Clayton	7813 Eastern Avenue	Bell Gardens	90201	Ri	0	1	NA	23.0000	0.00	23.00	28.52	0.00	28.52	4.00	2.00	
335	337	R1302	436	Metal Plating	6709 E Florence Avenue	Bell Gardens	90201	Ri	0	1	NA	10.0000	0.00	10.00	12.40	0.00	12.40	4.00	2.00	
336	338	R1303	437	James P. Berg	7449 Scout Avenue	Bell Gardens	90201	Ri	0	1	NA	10.0000	0.00	10.00	12.40	0.00	12.40	4.00	2.00	
815	818	R1312	441	The Alexander Haagen	1401 Montebello Blvd	Montebello	90640	Ri	0	1	Property Mgt	48.0000	0.00	48.00	59.52	0.00	59.52	4.00	2.00	
340	342	R1313	442	Cure, Inc.	1400 Via Roma	Montebello	90640	Ri	0	1	NA	69.0000	0.00	69.00	85.56	0.00	85.56	4.00	2.00	
341	343	R1314	443	The Super A Investment	7709 Telegraph Road	Montebello	90640	Ri	0	1	NA	15.0000	0.00	15.00	18.60	0.00	18.60	4.00	2.00	
342	344	R1315	444	ADC Truck Terminal	8130 Slauson Ave	Montebello	90640	Ri	0	1	NA	41.0000	0.00	41.00	50.84	0.00	50.84	4.00	2.00	
343	345	R1316	445	Kaiser Aluminum	6250 Bandini Blvd.	Commerce	90040	Ri	0	1	NA	178.0000	0.00	178.00	220.72	0.00	220.72	4.00	2.00	
344	346	R1317	446	MGF Industries	6430 Canning Street	Commerce	90040	Ri	0	1	NA	9.0000	0.00	9.00	11.16	0.00	11.16	4.00	2.00	
605	608	R1318	447	Jerseymaid Milk Products	3361 South Boxford Avenue	Los Angeles	90040	Ri	0	1	NA	110.0000	0.00	110.00	136.40	0.00	136.40	4.00	2.00	
350	352	R1328	454	Gruma Corporation	5505 East Olympic Blvd.	Commerce	90022	Ri	0	1	Property Mgt	73.0000	0.00	73.00	90.52	0.00	90.52	4.00	2.00	
352	354	R1332	457	Darigold, Inc.	1474 North Indiana Street	Boyle Heights	90033	Ri	0	1	NA	53.0000	0.00	53.00	65.72	0.00	65.72	4.00	2.00	
353	355	R1334	458	Color America Textile	4101 Whiteside Street	Los Angeles	90063	Ri	0	1	NA	240.0000	0.00	240.00	297.60	0.00	297.60	4.00	2.00	
354	356	R1338	459	The Clorox Company	4333 Bandini Blvd.	Vernon	90040	Ri	0	1	NA	64.0000	0.00	64.00	79.36	0.00	79.36	4.00	2.00	
355	357	R1342	461	Smithway Associates	5743 Smithway Street	Commerce	90040	Ri	0	1	NA	53.0000	0.00	53.00	65.72	0.00	65.72	4.00	2.00	
356	358	R1343	462	Pacific Tube Company	5710 Smithway Street	Commerce	90040	Ri	0	1	NA	53.0000	0.00	53.00	65.72	0.00	65.72	4.00	2.00	
357	359	R1345	463	Los Angeles Dye and Wash	6849 East Washington Blvd.	Commerce	90040	Ri	0	1	NA	49.0000	0.00	49.00	60.76	0.00	60.76	4.00	2.00	
602	605	R1346	464	Westerntex Industries	6913 East Acco Street	Commerce	90040	Ri	0	1	NA	111.0000	0.00	111.00	137.64	0.00	137.64	4.00	2.00	
359	361	R1350	466	Union Ice & Storage	6100 Sheila Street	Commerce	90040	Ri	1	0	NA	0.0000	0.00	0.00	0.00	0.00	0.00	4.00	2.00	
360	362	R1352	467	Container Corporation of America	2601 S Malt Ave	Commerce	90040	Ri	0	1	NA	31.0000	0.00	31.00	38.44	0.00	38.44	4.00	2.00	
758	761	R1366	478	Landscaping (Via Acosta to Wilcox)	2625 Via Acosta	Montebello		Ri	1	0	NA	0.0000	0.00	0.00	0.00	0.00	0.00	4.00	2.00	
743	746	R1443	527	Behringer Park	Alicante Rd & Avenida Espana	La Mirada	90638	Ri	1	0	Park	0.0000	0.00	0.00	0.00	0.00	0.00	4.00	2.00	
569	572	R1444	528	Gardenhill Park	Valeda Dr & Crete Dr	La Mirada	90638	Ri	1	0	Park	0.0000	0.00	0.00	0.00	0.00	0.00	4.00	2.00	
591	594	R1445	529	Neff Park	San Ardo Dr & Castellon Rd	La Mirada	90638	Ri	1	0	Park	0.0000	0.00	0.00	0.00	0.00	0.00	4.00	2.00	
603	606	R1446	530	Wildermere Park	Barnwall St & La Barca Dr	La Mirada	90638	Ri	1	0	Park	0.0000	0.00	0.00	0.00	0.00	0.00	4.00	2.00	
567	570	R1447	531	Frontier Park	Marquardt Ave & Foster Rd	La Mirada	90638	Ri	1	0	Park	0.0000	0.00	0.00	0.00	0.00	0.00	4.00	2.00	
550	553	R1449	533	Amelia Mayberry County Park	13201 E Meyer Rd	County of L.A.	90605	Ri	1	0	Park	0.0000	0.00	0.00	0.00	0.00	0.00	4.00	2.00	
558	561	R1450	534	Candlewood Country Club	14000 E Telegraph Rd.	County of L.A.	90605	Ri	1	0	Golf Course	0.0000	0.00	0.00	0.00	0.00	0.00	4.00	2.00	
572	575	R1451	535	Gunn Avenue Park	10130 S. Gunn Ave	County of L.A.	90605	Ri	1	0	Park	0.0000	0.00	0.00	0.00	0.00	0.00	4.00	2.00	
595	598	R1452	536	Parnell Park	Mulberry Dr & Scott Ave	Whittier	90604	Ri	1	0	Park	0.0000	0.00	0.00	0.00	0.00	0.00	4.00	2.00	
587	590	R1453	537	Michigan Park	La Cuarta St & Michigan Ave	Whittier	90605	Ri	1	0	Park	0.0000	0.00	0.00	0.00	0.00	0.00	4.00	2.00	
589	592	R1454	538	Murphy Ranch Park	Youngwood Dr. & Las Cumbres Dr	Whittier	90603	Ri	1	0	Park	0.0000	0.00	0.00	0.00	0.00	0.00	4.00	2.00	
583	586	R1455	539	Leffingwell Ranch Park	Starbuck St & Santa Gertrudes	Whittier	90603	Ri	1	0	Park	0.0000	0.00	0.00	0.00	0.00	0.00	4.00	2.00	
624	627	R2008	549	Gateway Laundromat	9528 Whittier Blvd	Pico Rivera	90660	Ri	0	1	NA	21.8000	0.00	21.80	27.03	0.00	27.03	4.00	2.00	
649	652	R2033	574	Andy Coin Laundry	8739 Whittier Blvd	Pico Rivera	90660	Ri	0	1	NA	5.6000	0.00	5.60	6.94	0.00	6.94	4.00	2.00	
652	655	R2036	577	Barney's Coffee Shop	4923 Rosemead Blvd	Pico Rivera	90660	Ri	1	0	Coffee Shop	0.0000	0.00	0.00	0.00	0.00	0.00	4.00	2.00	
659	662	R2043	584	Montgomery Ward	8800 Whittier Blvd	Pico Rivera	90660	Ri	1	0	Store	0.0000	0.00	0.00	0.00	0.00	0.00	4.00	2.00	
664	667	R2048	589	Angel Motel	6623 Rosemead Blvd	Pico Rivera	90660	Ri	1	0	Motel	0.0000	0.00	0.00	0.00	0.00	0.00	4.00	2.00	
665	668	R2049	590	K Mart Corp. 3440	8909 Washington Blvd	Pico Rivera	90660	Ri	1	0	Store	0.0000	0.00	0.00	0.00	0.00	0.00	4.00	2.00	
675	678	R2059	600	Jack In The Box 3175	6750 Rosemead Blvd	Pico Rivera	90660	Ri	1	0	Restaurant	0.0000	0.00	0.00	0.00	0.00	0.00	4.00	2.00	
676	679	R2060	601	Sizzler Steak House	6730 Rosemead Blvd	Pico Rivera	90660	Ri	1	0	Restaurant	0.0000	0.00	0.00	0.00	0.00	0.00	4.00	2.00	

Central Basin Municipal Water District - Existing Database (Final from S. Surbey 12/16/99)

User	User									TTLAVG	IRRAVG	INDAVG	TTLPK	IRRPK	INDPK	IRRPK	INDPK			
Pro.	Pro.	ID	NAME	NAME2	USER_NAME	ADDRESS	CITY	ZIP	Pr	IRR	IND	IRRIG_TYPE	AFY	AFY	AFY	GPM	GPM	GPM	FCTR	FCTR
678	681	R2062	603	Roadway Inn's	6540 Rosemead Blvd	Pico Rivera	90660	Ri	1	0	Motel	0.0000	0.00	0.00	0.00	0.00	0.00	0.00	4.00	2.00
686	689	R2070	611	El Pollo Loco	5090 Rosemead Blvd	Pico Rivera	90660	Ri	1	0	Restaurant	0.0000	0.00	0.00	0.00	0.00	0.00	0.00	4.00	2.00
687	690	R2071	612	Quick Wok	5070 Rosemead Blvd	Pico Rivera	90660	Ri	1	0	Restaurant	0.0000	0.00	0.00	0.00	0.00	0.00	0.00	4.00	2.00
688	691	R2072	613	In-n-out Burger Inc.	9070 Whittier Blvd	Pico Rivera	90660	Ri	1	0	Restaurant	0.0000	0.00	0.00	0.00	0.00	0.00	0.00	4.00	2.00
694	697	R2078	619	Coin Laundry	4500 (d) Rosemead Blvd	Pico Rivera	90660	Ri	0	1	NA	0.0000	0.00	0.00	0.00	0.00	0.00	0.00	4.00	2.00
696	699	R2080	621	Sloan Dry Cleaners	8923 Beverly Blvd	Pico Rivera	90660	Ri	1	0	Dry Cleaners	0.0000	0.00	0.00	0.00	0.00	0.00	0.00	4.00	2.00
697	700	R2081	622	Michaels Auto Center	4525 Rosemead Blvd	Pico Rivera	90660	Ri	1	0	Auto Shop	0.0000	0.00	0.00	0.00	0.00	0.00	0.00	4.00	2.00
698	701	R2082	623	Paes Coin Laundry # 2	4621 Rosemead Blvd	Pico Rivera	90660	Ri	0	1	NA	0.0000	0.00	0.00	0.00	0.00	0.00	0.00	4.00	2.00
701	704	R2085	626	Showbiz Pizza Time Inc	6005 Rosemead Blvd	Pico Rivera	90660	Ri	1	0	Restaurant	0.0000	0.00	0.00	0.00	0.00	0.00	0.00	4.00	2.00
702	705	R2086	627	Coin Op Laundry	6019 Rosemead Blvd	Pico Rivera	90660	Ri	0	1	NA	0.0000	0.00	0.00	0.00	0.00	0.00	0.00	4.00	2.00
706	709	R2090	631	Chefs Coffee Shop	4640 Rosemead Blvd	Pico Rivera	90660	Ri	1	0	Coffee Shop	0.0000	0.00	0.00	0.00	0.00	0.00	0.00	4.00	2.00
707	710	R2091	632	P Patel	4634 Rosemead Blvd	Pico Rivera	90660	Ri	1	0	NA	0.0000	0.00	0.00	0.00	0.00	0.00	0.00	4.00	2.00
0	0		0										0.0000	0.00	0.00	0.00	0.00	0.00	0.00	0.00
0	0		0										0.0000	0.00	0.00	0.00	0.00	0.00	0.00	0.00
0	0		0										0.0000	0.00	0.00	0.00	0.00	0.00	0.00	0.00
77	77	C0252																		
139	139	R0380																		

Central Basin Municipal Water District - Existing Database (Final from S. Surbey 12/16/99)

User Pro.	User Pro. ID	NAME	FUTURE AFY	IRRIG ACRES	SER	Dom	Pro Date	ACT Date	CNTCT_PURV	CNTCT_USER	DATA_SOURC	QUESTIONAR	WELL	TENYR_RULE
179	179	R0649	300.00	0.00	1		12/31/95	00000000	Water purveyor has been contacted.		Based on acreage. Nd to verify			
915	919	R1460	0.00	0.00			00000000	00000000						
239	239	R0635	346.00	0.00	1		12/31/95	00000000			HYA Feasibility Study Report.			
19	19	C0042	340.00	0.00	1			00000000	Water purveyor has been contacted.	User has been contacted.		Questionnaire is on file.		Meets 10-year rule.
579	582	R1420	0.00	0.00	1			00000000						
592	595	R0958	300.00	0.00	1			00000000	Water purveyor has been contacted.					
351	353	R1331	0.00	0.00	3			00000000						
566	569	R1413	0.00	0.00	1			00000000						
358	360	R1348	0.00	0.00	3			00000000						
577	580	R1421	0.00	0.00	1			00000000						
16	16	C0038	200.00	0.00	2			#####	Water purveyor has been contacted.	User has been contacted.		Questionnaire is on file.	Uses private well water.	Does not meet 10-year rule.
852	856	C1087	0.00	0.00	1			00000000	Water purveyor has been contacted.	User has been contacted.				
184	184	R0772	180.00	0.00	1		11/29/95	00000000	Water purveyor has been contacted.	User has been contacted.	HYA Feasibility Study Report.			Meets 10-year rule.
606	609	R1329	0.00	0.00	0			00000000						
11	11	C0020	150.00	0.00	2			#####	Water purveyor has been contacted.	User has been contacted.		Questionnaire is on file.		Meets 10-year rule.
535	538	R0879	150.00	0.00	1			00000000	Water purveyor has been contacted.	User has been contacted.	HYA Feasibility Study Report.			Meets 10-year rule.
235	235	R0662	138.00	0.00	1		12/31/95	00000000	Water purveyor has been contacted.		HYA Feasibility Study Report.			
45	45	C0098	136.00	0.00	2			#####	Water purveyor has been contacted.	User has been contacted.		Questionnaire is on file.		Meets 10-year rule.
552	555	R1422	0.00	0.00	1			00000000						
70	70	C0234	130.00	0.00	2			#####	Water purveyor has been contacted.	User has been contacted.		Questionnaire is on file.		Meets 10-year rule.
555	558	R1433	0.00	0.00	1			00000000						
870	874	R1200	120.00	0.00	1			00000000	Water purveyor has been contacted.	User has been contacted.	HYA Estimation.			Meets 10-year rule.
42	42	C0088	110.00	0.00	2			#####	Water purveyor has been contacted.	User has been contacted.		Questionnaire is on file.		Meets 10-year rule.
615	618	R1277	0.00	0.00	3			00000000						
14	14	C0034	50.00	0.00	1			00000000	Water purveyor has been contacted.	User has been contacted.		Questionnaire is on file.		Meets 10-year rule.
546	549	R0959	98.00	0.00	1			00000000	Water purveyor has been contacted.		HYA Feasibility Study Report.			
236	236	R0663	96.00	0.00	1		12/31/95	00000000	Water purveyor has been contacted.		HYA Feasibility Study Report.			
181	181	R0661	85.00	0.00	1		12/31/95	00000000	Water purveyor has been contacted.					
752	755	R0755	0.00	0.00	1			00000000	Water purveyor has been contacted.					
39	39	C0081	80.00	0.00	1			00000000	Water purveyor has been contacted.	User has been contacted.		Questionnaire is on file.		Meets 10-year rule.
51	51	C0106	80.00	0.00	2			#####	Water purveyor has been contacted.	User has been contacted.		Questionnaire is on file.		Meets 10-year rule.
55	55	C0110	100.00	0.00	1			#####	Water purveyor has been contacted.	User has been contacted.		Questionnaire is on file.		Meets 10-year rule.
814	817	R1414	0.00	0.00	1			00000000						
36	36	C0070	70.00	0.00	2			#####	Water purveyor has been contacted.	User has been contacted.		Questionnaire is on file.		Meets 10-year rule.
37	37	C0073	70.00	0.00	2			#####	Water purveyor has been contacted.	User has been contacted.		Questionnaire is on file.		Meets 10-year rule.
50	50	C0105	70.00	0.00	2			#####	Water purveyor has been contacted.	User has been contacted.		Questionnaire is on file.		Meets 10-year rule.
78	78	C0253	70.00	0.00	2			#####	Water purveyor has been contacted.	User has been contacted.		Questionnaire is on file.		Meets 10-year rule.
194	194	R0721	70.00	0.00	1			00000000	Water purveyor has been contacted.		HYA Feasibility Study Report.			
547	550	R0960	70.00	0.00	1			00000000	Water purveyor has been contacted.		HYA Feasibility Study Report.			
147	147	R0414	69.00	0.00	1			00000000	Water purveyor has been contacted.	User has been contacted.	From User.	Questionnaire is on file.		Meets 10-year rule.
851	855	C1086	0.00	0.00	1		8/29/95	00000000	Water purveyor has been contacted.	User has been contacted.	From Water Utility.			Meets 10-year rule.
67	67	C0228	60.00	0.00	1			#####	Water purveyor has been contacted.	User has been contacted.		Questionnaire is on file.		Meets 10-year rule.
3	3	C0008	58.00	0.00	2			#####	Water purveyor has been contacted.	User has been contacted.		Questionnaire is on file.		Meets 10-year rule.
597	600	R1434	0.00	0.00	3			00000000						
581	584	R1412	0.00	0.00	1			00000000						
880	884	R1415	0.00	0.00	1			00000000						
186	186	R0678	52.00	0.00	3			00000000						
6	6	C0013	144.00	0.00	2			#####	Water purveyor has been contacted.	User has been contacted.		Questionnaire is on file.		Meets 10-year rule.
253	254	R1005	50.00	0.00	2			#####	Water purveyor has been contacted.	User has been contacted.	ASL list.	Questionnaire is on file.		Meets 10-year rule.
677	680	R2061	0.00	0.00	0			00000000						
866	870	C0413	0.00	0.00	1			#####	Water purveyor has been contacted.					
861	865	C1096	0.00	0.00	1			00000000	Water purveyor has been contacted.					

Central Basin Municipal Water District - Existing Database (Final from S. Surbey 12/16/99)

User Pro.	User Pro. ID	NAME	FUTURE AFY	IRRIG ACRES	SER	Dom	Pro Date	ACT Date	CNTCT_PURV	CNTCT_USER	DATA_SOURC	QUESTIONAR	WELL	TENYR_RULE
274	276	R1206	45.00	0.00	1		11/29/95	#####			Based on acreage.			
766	769	R1362	0.00	0.00	1			00000000	Water purveyor has been contacted.					
17	17	C0040	44.00	0.00	2			#####	Water purveyor has been contacted.	User has been contacted.		Questionnaire is on file.		Meets 10-year rule.
72	72	C0236	44.00	0.00	1			#####	Water purveyor has been contacted.	User has been contacted.		Questionnaire is on file.	Uses private well water.	Meets 10-year rule.
5	5	C0012	42.00	0.00	1			00000000	Water purveyor has been contacted.	User has been contacted.		Questionnaire is on file.		Meets 10-year rule.
611	614	R1272	0.00	0.00	3			00000000						
738	741	R2122	0.00	0.00	0			00000000						
18	18	C0041	40.00	0.00	2			#####	Water purveyor has been contacted.	User has been contacted.		Questionnaire is on file.		Meets 10-year rule.
32	32	C0065	40.00	0.00	2			#####	Water purveyor has been contacted.	User has been contacted.		Questionnaire is on file.		Meets 10-year rule.
43	43	C0091	40.00	0.00	2			#####	Water purveyor has been contacted.	User has been contacted.		Questionnaire is on file.		Meets 10-year rule.
76	76	C0246	40.00	0.00	1		11/29/95	00000000	Water purveyor has been contacted.	User has been contacted.		Questionnaire is on file.		Meets 10-year rule.
764	767	C0251	40.00	0.00	1			00000000	Water purveyor has been contacted.	User has been contacted.		Questionnaire is on file.		Meets 10-year rule.
183	183	R0793	40.00	0.00	1		12/31/95	00000000	Water purveyor has been contacted.		HYA Feasibility Study Report.			
269	271	R1201	60.00	0.00	1		11/29/95	#####	Water purveyor has been contacted.	User has been contacted.	From User.			Meets 10-year rule.
291	293	R1227	0.00	0.00	3			00000000						
318	320	R1278	0.00	0.00	3	1		00000000	Water purveyor has been contacted.		From Water Utility.			
565	568	R1432	0.00	0.00	1			00000000						
571	574	R1437	0.00	0.00	1			00000000						
31	31	C0064	36.00	0.00	2			#####	Water purveyor has been contacted.	User has been contacted.		Questionnaire is on file.		Meets 10-year rule.
56	56	C0111	36.00	0.00	2			#####	Water purveyor has been contacted.	User has been contacted.		Questionnaire is on file.		Meets 10-year rule.
860	864	C1095	0.00	0.00	1			00000000	Water purveyor has been contacted.	User has been contacted.				
879	883	C0056	35.00	0.00	0			00000000	Water purveyor has been contacted.	User has been contacted.		Questionnaire is on file.	Uses private well water.	Meets 10-year rule.
132	132	R0310	35.00	0.00	1			#####	Water purveyor has been contacted.	User has been contacted.	Based on acreage.			Meets 10-year rule.
309	311	R1249	35.00	0.00	1			00000000	Water purveyor has been contacted.	User has been contacted.	From Water Utility.			Meets 10-year rule.
765	768	R1376	0.00	0.00	1			00000000						
349	351	R1325	0.00	0.00	3			00000000						
23	23	C0051	33.00	0.00	2			00000000	Water purveyor has been contacted.	User has been contacted.		Questionnaire is on file.		Meets 10-year rule.
180	180	R0650	33.00	0.00	1		12/31/95	00000000						
202	202	R0681	33.00	0.00	3			00000000			HYA Feasibility Study Report.			
332	334	R1299	0.00	0.00	3	1		00000000	Water purveyor has been contacted.		From Water Utility.			
20	20	C0047	32.00	0.00	1			#####	Water purveyor has been contacted.	User has been contacted.		Questionnaire is on file.		Meets 10-year rule.
188	188	R0683	0.00	0.00	1			00000000	Water purveyor has been contacted.					
244	244	R0970	32.00	0.00	1			00000000	Water purveyor has been contacted.					
297	299	R1234	0.00	0.00	3			00000000						
789	792	R2220	0.00	0.00	0			00000000	Water purveyor has been contacted.		Demand data not available.			
26	26	C0054	31.00	0.00	2			#####	Water purveyor has been contacted.	User has been contacted.		Questionnaire is on file.		Meets 10-year rule.
28	28	C0058	31.00	0.00	2			#####	Water purveyor has been contacted.	User has been contacted.		Questionnaire is on file.		Meets 10-year rule.
187	187	R0679	31.00	0.00	3			00000000			HYA Feasibility Study Report.			
10	10	C0019	30.00	0.00	1			00000000	Water purveyor has been contacted.	User has been contacted.		Questionnaire is on file.		Meets 10-year rule.
15	15	C0035	30.00	0.00	2			#####	Water purveyor has been contacted.	User has been contacted.		Questionnaire is on file.		Meets 10-year rule.
52	52	C0107	30.00	0.00	1		11/29/95	00000000	Water purveyor has been contacted.	User has been contacted.		Questionnaire is on file.		Meets 10-year rule.
921	921	C2019	0.00	0.00	1		00000000	00000000						
136	136	R0350	30.00	0.00	1			#####	Water purveyor has been contacted.	User has been contacted.	Based on acreage.			Meets 10-year rule.
199	199	R0760	0.00	0.00	1		12/31/95	00000000	Water purveyor has been contacted.					
532	535	R0824	73.00	0.00	1			00000000	Water purveyor has been contacted.		HYA Feasibility Study Report.			
534	537	R0836	30.00	0.00	3			00000000			HYA Feasibility Study Report.			
298	300	R1235	0.00	0.00	3			00000000						
313	315	R1253	30.00	0.00	3	1		00000000	Water purveyor has been contacted.		From Water Utility.			
768	771	R1377	0.00	0.00	3			00000000						
574	577	R1438	0.00	0.00	1			00000000						
875	879	R2248	25.00	0.00	3			00000000	Water purveyor has been contacted.	User has been contacted.				
9	9	C0016	29.00	0.00	2			#####	Water purveyor has been contacted.	User has been contacted.		Questionnaire is on file.		Meets 10-year rule.

Central Basin Municipal Water District - Existing Database (Final from S. Surbey 12/16/99)

User Pro.	User Pro. ID	NAME	FUTURE AFY	IRRIG ACRES	SER	Dom	Pro Date	ACT Date	CNTCT_PURV	CNTCT_USER	DATA_SOURC	QUESTIONAR	WELL	TENYR_RULE
63	63	C0205	29.00	0.00	1			#####	Water purveyor has been contacted.	User has been contacted.		Questionnaire is on file.		Meets 10-year rule.
545	548	R0956	29.00	0.00	1			00000000	Water purveyor has been contacted.	User has been contacted.	HYA Feasibility Study Report.			
69	69	C0233	28.00	0.00	2			#####	Water purveyor has been contacted.	User has been contacted.		Questionnaire is on file.		Meets 10-year rule.
726	729	R2110	0.00	0.00	0			00000000						
610	613	R1271	0.00	0.00	3			00000000						
74	74	C0238	27.00	0.00	2			00000000	Water purveyor has been contacted.	User has been contacted.		Questionnaire is on file.		Meets 10-year rule.
81	81	C0260	27.00	0.00	2			#####	Water purveyor has been contacted.	User has been contacted.		Questionnaire is on file.	Uses private well water.	Meets 10-year rule.
100	100	C1007	27.00	0.00	2			#####	Water purveyor has been contacted.	User has been contacted.		Questionnaire is on file.		Meets 10-year rule.
536	539	R0900	27.00	0.00	1			00000000	Water purveyor has been contacted.	User has been contacted.	LAUSD			Meets 10-year rule.
242	242	R0967	27.00	0.00	1	9/30/95		00000000	Water purveyor has been contacted.	User has been contacted.	From Water Utility.			
578	581	R1429	0.00	0.00	1			00000000						
68	68	C0232	26.00	0.00	2			#####	Water purveyor has been contacted.	User has been contacted.		Questionnaire is on file.		Meets 10-year rule.
79	79	C0258	26.00	0.00	2			#####	Water purveyor has been contacted.	User has been contacted.		Questionnaire is on file.		Meets 10-year rule.
30	30	C0060	25.00	0.00	1			00000000	Water purveyor has been contacted.	User has been contacted.		Questionnaire is on file.		Meets 10-year rule.
59	59	C0116	25.00	0.00	2			#####	Water purveyor has been contacted.	User has been contacted.		Questionnaire is on file.		Meets 10-year rule.
855	859	C1090	0.00	0.00	1			00000000	Water purveyor has been contacted.	User has been contacted.				
241	241	R0467	25.00	0.00	0			00000000	Water purveyor has been contacted.	User has been contacted.				Does not meet 10-year rule.
757	760	R0801	25.00	0.00	1			00000000	Water purveyor has been contacted.					
596	599	R0883	25.00	0.00	1			00000000	Water purveyor has been contacted.					Meets 10-year rule.
304	306	R1243	0.00	0.00	3			00000000						
346	348	R1321	82.00	0.00	1			00000000			From Water Utility.			
745	748	R1372	0.00	0.00	3			00000000	Water purveyor has been contacted.					
762	765	R1374	0.00	0.00	1			00000000						
669	672	R2053	0.00	0.00	0			00000000						
29	29	C0059	24.00	0.00	2			#####	Water purveyor has been contacted.	User has been contacted.		Questionnaire is on file.		Meets 10-year rule.
40	40	C0083	24.00	0.00	1			00000000	Water purveyor has been contacted.	User has been contacted.		Questionnaire is on file.		Meets 10-year rule.
65	65	C0220	24.00	0.00	2			#####	Water purveyor has been contacted.	User has been contacted.		Questionnaire is on file.		Meets 10-year rule.
84	84	C0263	23.00	0.00	1			00000000	Water purveyor has been contacted.	User has been contacted.		Questionnaire is on file.	Uses private well water.	Meets 10-year rule.
127	127	R0265	23.00	0.00	1	6/29/95		#####	Water Purveyor has been contacted.	User has been contacted.	From User.	Questionnaire is on file.		Meets 10-year rule.
537	540	R0905	23.00	0.00	1	12/31/95		00000000	Water purveyor has been contacted.		HYA Feasibility Study Report.			
245	245	R0972	23.00	0.00	1			#####	Water purveyor has been contacted.	User has been contacted.	ASL list.	Questionnaire is on file.		Meets 10-year rule.
306	308	R1245	0.00	0.00	3			00000000						
563	566	R1419	0.00	0.00	1			00000000						
13	13	C0025	22.00	0.00	2			#####	Water purveyor has been contacted.	User has been contacted.		Questionnaire is on file.		Meets 10-year rule.
339	341	R1309	0.00	0.00	3			00000000						
651	654	R2035	0.00	0.00	0			00000000						
709	712	R2093	0.00	0.00	0			00000000						
612	615	R1270	0.00	0.00	3			00000000						
570	573	R1427	0.00	0.00	1			00000000						
21	21	C0049	20.00	0.00	2			#####	Water purveyor has been contacted.	User has been contacted.		Questionnaire is on file.		Meets 10-year rule.
33	33	C0066	20.00	0.00	2			#####	Water purveyor has been contacted.	User has been contacted.		Questionnaire is on file.		Meets 10-year rule.
46	46	C0100	20.00	0.00	1	11/29/95		#####	Water purveyor has been contacted.	User has been contacted.		Questionnaire is on file.		Meets 10-year rule.
769	772	C0255	20.00	0.00	3			00000000	Water purveyor has been contacted.	User has been contacted.		Questionnaire is on file.		Meets 10-year rule.
80	80	C0259	20.00	0.00	3			00000000	Water purveyor has been contacted.	User has been contacted.		Questionnaire is on file.	Uses private well water.	Meets 10-year rule.
82	82	C0261	20.00	0.00	2			#####	Water purveyor has been contacted.	User has been contacted.		Questionnaire is on file.		Meets 10-year rule.
869	873	C0518	0.00	0.00	1			#####	Water purveyor has been contacted.					
831	834	C2000	0.00	0.00	1			#####	Water purveyor has been contacted.	User has been contacted.		Questionnaire is on file.		Meets 10-year rule.
916	920	C2016	0.00	0.00	1		00000000	00000000						
560	563	R0601	0.00	0.00	3			00000000						
755	758	R0638	20.00	0.00	1			00000000	Water purveyor has been contacted.	User has been contacted.		Questionnaire is on file.		Meets 10-year rule.
232	232	R0675	20.00	0.00	3			00000000			HYA Feasibility Study Report.			
214	214	R0714	20.00	0.00	1			00000000	Water purveyor has been contacted.	User has been contacted.	HYA Feasibility Study Report.			

Central Basin Municipal Water District - Existing Database (Final from S. Surbey 12/16/99)

User Pro.	User Pro. ID	NAME	FUTURE AFY	IRRIG ACRES	SER	Dom	Pro Date	ACT Date	CNTCT_PURV	CNTCT_USER	DATA_SOURC	QUESTIONAR	WELL	TENYR_RULE
185	185	R0775	20.00	0.00	1			00000000	Water purveyor has been contacted.	User has been contacted.	HYA Feasibility Study Report.			
210	210	R0817	0.00	0.00	1		12/31/95	00000000	Water purveyor has been contacted.		HYA Feasibility Study Report.			
533	536	R0835	20.00	0.00	3			00000000			HYA Feasibility Study Report.			
229	229	R0945	20.00	0.00	1			00000000	Water purveyor has been contacted.					
230	230	R0946	20.00	0.00	1			00000000	Water purveyor has been contacted.	User has been contacted.				
234	234	R0951	20.00	0.00	1			00000000	Water purveyor has been contacted.	User has been contacted.	HYA Feasibility Study Report.			
541	544	R0954	20.00	0.00	1			00000000	Water purveyor has been contacted.	User has been contacted.	HYA Feasibility Study Report.			
548	551	R0963	20.00	0.00	1		9/30/95	00000000	Water purveyor has been contacted.	User has been contacted.	HYA Feasibility Study Report.			
850	854	R1209	0.00	0.00	1			#####	Water purveyor has been contacted.	User has been contacted.	From Water Utility.	Questionnaire is on file.		Meets 10-year rule.
319	321	R1279	0.00	0.00	3	1		00000000	Water purveyor has been contacted.		From Water Utility.			
744	747	R1370	0.00	0.00	1			00000000	Water purveyor has been contacted.					
732	735	R2116	0.00	0.00	0			00000000						
66	66	C0227	19.00	0.00	1			#####	Water purveyor has been contacted.	User has been contacted.		Questionnaire is on file.		Meets 10-year rule.
856	860	C1091	0.00	0.00	1			00000000	Water purveyor has been contacted.	User has been contacted.				
220	220	R0677	19.00	0.00	3			00000000			HYA Feasibility Study Report.			
333	335	R1300	0.00	0.00	3			00000000	Water purveyor has been contacted.					
564	567	R1431	0.00	0.00	1			00000000						
8	8	C0015	18.00	0.00	2			#####	Water purveyor has been contacted.	User has been contacted.		Questionnaire is on file.		Meets 10-year rule.
25	25	C0053	18.00	0.00	2			#####	Water purveyor has been contacted.	User has been contacted.		Questionnaire is on file.		Meets 10-year rule.
146	146	R0413	18.00	0.00	1			00000000	Water purveyor has been contacted.	User has been contacted.	From User.	Questionnaire is on file.		Meets 10-year rule.
189	189	R0700	18.00	0.00	1		12/31/95	00000000	Water purveyor has been contacted.	User has been contacted.	LAUSD			Meets 10-year rule.
582	585	R1417	0.00	0.00	1			00000000						
580	583	R1430	0.00	0.00	1			00000000						
772	775	R2201	0.00	7.00	0			00000000	Water purveyor has been contacted.		Demand data not available.			
57	57	C0112	17.00	0.00	1			00000000	Water purveyor has been contacted.	User has been contacted.		Questionnaire is on file.		Meets 10-year rule.
71	71	C0235	17.00	0.00	1			#####	Water purveyor has been contacted.	User has been contacted.		Questionnaire is on file.		Meets 10-year rule.
853	857	C1088	0.00	0.00	1			00000000	Water purveyor has been contacted.	User has been contacted.	From Water Utility.			
134	134	R0330	17.00	0.00	1			00000000	Water purveyor has been contacted.	User has been contacted.	Based on acreage.			Meets 10-year rule.
754	757	R0676	17.00	0.00	3			00000000						
24	24	C0052	16.00	0.00	2			#####	Water purveyor has been contacted.	User has been contacted.		Questionnaire is on file.		Meets 10-year rule.
41	41	C0087	14.00	0.00	2			#####	Water purveyor has been contacted.	User has been contacted.		Questionnaire is on file.		Meets 10-year rule.
888	892	C2007	0.00	0.00	0			00000000	Water purveyor has been contacted.	User has been contacted.				
892	896	C2011	0.00	0.00	0			00000000	Water purveyor has been contacted.	User has been contacted.				
138	138	R0370	8.00	0.00	1			#####	Water purveyor has been contacted.	User has been contacted.				Meets 10-year rule.
272	274	R1204	16.00	0.00	1			00000000	Water purveyor has been contacted.	User has been contacted.		Questionnaire is on file.		Does not meet 10-year rule.
594	597	R1439	0.00	0.00	1			00000000						
631	634	R2015	0.00	0.00	0			00000000						
633	636	R2017	0.00	0.00	0			00000000						
54	54	C0109	15.00	0.00	1			#####						
64	64	C0206	15.00	0.00	1			#####	Water purveyor has been contacted.	User has been contacted.		Questionnaire is on file.		Meets 10-year rule.
99	99	C1006	15.00	0.00	2			#####	Water purveyor has been contacted.	User has been contacted.		Questionnaire is on file.		Meets 10-year rule.
103	103	C1077	15.00	0.00	1			00000000	Water purveyor has been contacted.	User has been contacted.		Questionnaire is on file.		Meets 10-year rule.
857	861	C1092	0.00	0.00	1			00000000	Water purveyor has been contacted.	User has been contacted.				
858	862	C1093	0.00	0.00	1			00000000	Water purveyor has been contacted.	User has been contacted.				
201	201	R0770	15.00	0.00	1		9/30/95	00000000	Water purveyor has been contacted.	User has been contacted.	HYA Feasibility Study Report.			
182	182	R0790	15.00	0.00	1			00000000	Water purveyor has been contacted.	User has been contacted.	HYA Feasibility Study Report.			
211	211	R0821	15.00	0.00	1			00000000	Water purveyor has been contacted.					
531	534	R0822	15.00	0.00	1			00000000	Water purveyor has been contacted.					
543	546	R0947	15.00	0.00	1			00000000	Water purveyor has been contacted.	User has been contacted.	HYA Feasibility Study Report.			
544	547	R0949	15.00	0.00	2			#####	Water purveyor has been contacted.	User has been contacted.	HYA Feasibility Study Report.	Questionnaire is on file.		Meets 10-year rule.
542	545	R0955	15.00	0.00	1			00000000	Water purveyor has been contacted.	User has been contacted.	HYA Feasibility Study Report.			
549	552	R0965	15.00	0.00	0		12/31/95	00000000	Water purveyor has been contacted.		From Water Utility.			Meets 10-year rule.

Central Basin Municipal Water District - Existing Database (Final from S. Surbey 12/16/99)

User Pro.	User Pro. ID	NAME	FUTURE AFY	IRRIG ACRES	SER	Dom	Pro Date	ACT Date	CNTCT_PURV	CNTCT_USER	DATA_SOURC	QUESTIONAR	WELL	TENYR_RULE
243	243	R0969	15.00	0.00	1			00000000	Water purveyor has been contacted.		HYA Feasibility Study Report.			
918	250	R1000	15.00	0.00	1			00000000	Water purveyor has been contacted.	User has been contacted.		Questionnaire is on file.		Meets 10-year rule.
273	275	R1205	15.00	0.00	3			00000000			HYA Estimation			
278	280	R1213	15.00	0.00	1			#####	Water purveyor has been contacted.	User has been contacted.				Meets 10-year rule.
338	340	R1307	0.00	0.00	3			00000000	Water purveyor has been contacted.		From Water Utility.			
600	603	R1319	0.00	0.00	3			00000000						
763	766	R1375	0.00	0.00	3			00000000						
731	734	R2115	0.00	0.00	0			00000000						
27	27	C0057	14.00	0.00	2			#####	Water purveyor has been contacted.	User has been contacted.		Questionnaire is on file.		Meets 10-year rule.
53	53	C0108	14.00	0.00	2			#####	Water purveyor has been contacted.	User has been contacted.		Questionnaire is on file.		Meets 10-year rule.
62	62	C0204	14.00	0.00	1			#####	Water purveyor has been contacted.	User has been contacted.		Questionnaire is on file.		Meets 10-year rule.
868	872	C0520	0.00	0.00	1	8/29/95		00000000	Water purveyor has been contacted.					
864	868	C1099	0.00	0.00	1			00000000	Water purveyor has been contacted.	User has been contacted.				
114	114	R0150	14.00	0.00	0			00000000	Water purveyor has been contacted.	User has been contacted.				Does not meet 10-year rule.
347	349	R1322	45.00	0.00	1			00000000			From Water Utility.			
593	596	R1423	0.00	0.00	1			00000000						
728	731	R2112	0.00	0.00	0			00000000						
730	733	R2114	0.00	0.00	0			00000000						
44	44	C0094	13.00	0.00	3			00000000	Water purveyor has been contacted.	User has been contacted.		Questionnaire is on file.	Uses private well water.	Does not meet 10-year rule.
60	60	C0127	0.00	0.00	3			#####	Water purveyor has been contacted.	User has been contacted.		Questionnaire is on file.		Meets 10-year rule.
867	871	C0462	0.00	0.00	1			#####	Water purveyor has been contacted.					
271	273	R1203	13.00	0.00	1			#####	Water purveyor has been contacted.	User has been contacted.		Questionnaire is on file.		Meets 10-year rule.
334	336	R1301	0.00	0.00	3			00000000	Water purveyor has been contacted.		From Water Utility.			
756	759	R1364	0.00	0.00	1			00000000	Water purveyor has been contacted.					
584	587	R1416	0.00	0.00	1			00000000						
683	686	R2067	0.00	0.00	0			00000000						
4	4	C0009	12.00	0.00	1	11/29/95		00000000	Water purveyor has been contacted.	User has been contacted.		Questionnaire is on file.		Meets 10-year rule.
22	22	C0050	12.00	0.00	2			#####	Water purveyor has been contacted.	User has been contacted.		Questionnaire is on file.		Meets 10-year rule.
73	73	C0237	12.00	0.00	1			#####	Water purveyor has been contacted.	User has been contacted.		Questionnaire is on file.		Meets 10-year rule.
101	101	C1008	12.00	0.00	2			#####	Water purveyor has been contacted.	User has been contacted.		Questionnaire is on file.		Meets 10-year rule.
104	104	C1078	12.00	0.00	2			#####	Water purveyor has been contacted.	User has been contacted.		Questionnaire is on file.		Meets 10-year rule.
106	106	C1080	12.00	0.00	2			#####	Water purveyor has been contacted.	User has been contacted.		Questionnaire is on file.		Meets 10-year rule.
854	858	C1089	0.00	0.00	1			00000000	Water purveyor has been contacted.	User has been contacted.				
130	130	R0300	12.00	0.00	1			#####	Water purveyor has been contacted.	User has been contacted.	Based on acreage.			Meets 10-year rule.
329	331	R1296	0.00	0.00	3			00000000	Water purveyor has been contacted.		From Water Utility.			
348	350	R1323	41.00	0.00	1			00000000			From Water Utility.			
742	745	R1353	0.00	0.00	1			00000000						
590	593	R1418	0.00	0.00	1			00000000						
575	578	R1428	0.00	0.00	1			00000000						
599	602	R1441	0.00	0.00	1			00000000						
586	589	R1442	0.00	0.00	1			00000000						
729	732	R2113	0.00	0.00	0			00000000						
773	776	R2202	0.00	4.80	0			00000000	Water purveyor has been contacted.		Demand data not available.			
690	693	R2074	0.00	0.00	0			00000000						
862	866	C1097	0.00	0.00	1			00000000	Water purveyor has been contacted.	User has been contacted.				
863	867	C1098	0.00	0.00	1			00000000	Water purveyor has been contacted.	User has been contacted.				
163	163	R0570	11.00	0.00	1	8/29/95		00000000	Water purveyor has been contacted.	User has been contacted.		Questionnaire is on file.		Meets 10-year rule.
237	237	R0664	11.00	0.00	3			00000000	Water purveyor has been contacted.		HYA Feasibility Study Report.			
193	193	R0720	0.00	0.00	3			00000000	Water purveyor has been contacted.	User has been contacted.		Questionnaire is on file.	Uses private well water.	Does not meet 10-year rule.
714	717	R2098	0.00	0.00	0			00000000						
733	736	R2117	0.00	0.00	0			00000000						
623	626	R2007	0.00	0.00	0			00000000						

Central Basin Municipal Water District - Existing Database (Final from S. Surbey 12/16/99)

User Pro.	User Pro. ID	NAME	FUTURE AFY	IRRIG ACRES	SER	Dom	Pro Date	ACT Date	CNTCT_PURV	CNTCT_USER	DATA_SOURC	QUESTIONAR	WELL	TENYR_RULE
609	612	R1275	0.00	0.00	3			00000000						
0	0	C0043	10.00	0.00	2			00000000						
34	34	C0067	10.00	0.00	2			#####	Water purveyor has been contacted.	User has been contacted.		Questionnaire is on file.		Meets 10-year rule.
38	38	C0075	10.00	0.00	2			#####	Water purveyor has been contacted.	User has been contacted.		Questionnaire is on file.		Meets 10-year rule.
49	49	C0104	10.00	0.00	1			00000000	Water purveyor has been contacted.	User has been contacted.		Questionnaire is on file.		Meets 10-year rule.
75	75	C0244	10.00	0.00	1			#####	Water purveyor has been contacted.	User has been contacted.		Questionnaire is on file.		Meets 10-year rule.
94	94	C1001	10.00	0.00	2			#####	Water purveyor has been contacted.	User has been contacted.		Questionnaire is on file.		Meets 10-year rule.
105	105	C1079	10.00	0.00	2			#####	Water purveyor has been contacted.	User has been contacted.		Questionnaire is on file.		Meets 10-year rule.
107	107	C1081	9.50	0.00	2			#####	Water purveyor has been contacted.	User has been contacted.		Questionnaire is on file.		Meets 10-year rule.
849	853	C1085	0.00	0.00	1			#####	Water purveyor has been contacted.	User has been contacted.	From Water Utility.			Meets 10-year rule.
859	863	C1094	0.00	0.00	1			00000000	Water purveyor has been contacted.	User has been contacted.				
203	203	R0682	0.00	0.00	3			00000000	Water purveyor has been contacted.					Meets 10-year rule.
321	323	R1282	0.00	0.00	3			00000000	Water purveyor has been contacted.					
767	770	R1356	0.00	0.00	1			00000000	Water purveyor has been contacted.					
588	591	R1440	0.00	0.00	1			00000000						
771	774	R2200	0.00	4.00	0			00000000	Water purveyor has been contacted.		Demand data not available.			
724	727	R2108	0.00	0.00	0			00000000						
2	2	C0007	9.00	0.00	2			#####	Water purveyor has been contacted.	User has been contacted.		Questionnaire is on file.		Meets 10-year rule.
85	85	C0266	9.00	0.00	2			#####	Water purveyor has been contacted.	User has been contacted.		Questionnaire is on file.		Meets 10-year rule.
93	93	C1000	9.00	0.00	2			#####	Water purveyor has been contacted.	User has been contacted.		Questionnaire is on file.		Meets 10-year rule.
119	119	R0200	9.00	0.00	0			00000000	Water purveyor has been contacted.	User has been contacted.				Does not meet 10-year rule.
133	133	R0320	9.00	0.00	1			00000000	Water purveyor has been contacted.	User has been contacted.	Based on acreage.			Meets 10-year rule.
345	347	R1320	29.00	0.00	1			00000000			From Water Utility.			
685	688	R2069	0.00	0.00	0			00000000						
720	723	R2104	0.00	0.00	0			00000000						
740	743	R2124	0.00	0.00	0			00000000						
88	88	C0439	8.00	0.00	1			00000000	Water purveyor has been contacted.	User has been contacted.		Questionnaire is on file.		Meets 10-year rule.
112	112	R0130	8.00	0.00	0			00000000	Water purveyor has been contacted.	User has been contacted.				Does not meet 10-year rule.
256	257	R1052	1.00	0.00	1			00000000	Water purveyor has been contacted.	User has been contacted.	From User.			Meets 10-year rule.
270	272	R1202	8.00	0.00	3			00000000			Based on acreage.			
310	312	R1250	8.00	0.00	0	1		00000000	Water purveyor has been contacted.	User has been contacted.	From Water Utility.			Does not meet 10-year rule.
311	313	R1251	8.00	0.00	3	1		00000000	Water purveyor has been contacted.		From Water Utility.			
770	773	R1357	0.00	0.00	1			00000000	Water purveyor has been contacted.					
759	762	R1359	0.00	0.00	1			00000000	Water purveyor has been contacted.					
608	611	R1274	0.00	0.00	3			00000000						
657	660	R2041	0.00	0.00	0			00000000						
674	677	R2058	0.00	0.00	0			00000000						
813	816	C0102	2.00	0.00	1			#####	Water purveyor has been contacted.	User has been contacted.		Questionnaire is on file.		Meets 10-year rule.
58	58	C0113	7.00	0.00	2			#####	Water purveyor has been contacted.	User has been contacted.		Questionnaire is on file.		Meets 10-year rule.
61	61	C0201	7.00	0.00	2			#####	Water purveyor has been contacted.	User has been contacted.		Questionnaire is on file.		Meets 10-year rule.
109	109	R0100	7.00	0.00	0			00000000	Water purveyor has been contacted.	User has been contacted.				Does not meet 10-year rule.
111	111	R0120	7.00	0.00	0			00000000	Water purveyor has been contacted.	User has been contacted.				Does not meet 10-year rule.
135	135	R0340	7.00	0.00	1			00000000	Water purveyor has been contacted.	User has been contacted.	ASL list.			Meets 10-year rule.
159	159	R0521	0.00	0.00	1		8/30/95	#####	Water purveyor has been contacted.	User has been contacted.	From User.			Meets 10-year rule.
573	576	R1400	0.00	0.00	1			00000000						
712	715	R2096	0.00	0.00	0			00000000						
716	719	R2100	0.00	0.00	0			00000000						
632	635	R2016	0.00	0.00	0			00000000						
655	658	R2039	0.00	0.00	0			00000000						
1	1	C0006	6.00	0.00	2			#####	Water purveyor has been contacted.	User has been contacted.		Questionnaire is on file.		Meets 10-year rule.
108	108	C1082	5.70	0.00	2			#####	Water purveyor has been contacted.	User has been contacted.		Questionnaire is on file.		Meets 10-year rule.
110	110	R0110	6.00	0.00	0			00000000	Water purveyor has been contacted.	User has been contacted.				Does not meet 10-year rule.

Central Basin Municipal Water District - Existing Database (Final from S. Surbey 12/16/99)

User Pro.	User Pro. ID	NAME	FUTURE AFY	IRRIG ACRES	SER	Dom	Pro Date	ACT Date	CNTCT_PURV	CNTCT_USER	DATA_SOURC	QUESTIONAR	WELL	TENYR_RULE
137	137	R0360	6.00	0.00	1			#####	Water purveyor has been contacted.	User has been contacted.	Based on acreage.			Meets 10-year rule.
231	231	R0665	6.00	0.00	1			00000000	Water purveyor has been contacted.		HYA Feasibility Study Report.			
206	206	R0800	6.00	0.00	1		12/31/95	00000000		User has been contacted.				Meets 10-year rule.
254	255	R1039	1.00	0.00	1			#####	Water purveyor has been contacted.	User has been contacted.	From User.			Meets 10-year rule.
315	317	R1269	0.00	0.00	3	1		00000000	Water purveyor has been contacted.		From Water Utility.			
320	322	R1280	0.00	0.00	3	1		00000000	Water purveyor has been contacted.		From Water Utility.			
337	339	R1306	0.00	0.00	3	1		00000000	Water purveyor has been contacted.		From Water Utility.			
751	754	R1358	0.00	0.00	1			00000000	Water purveyor has been contacted.					
761	764	R1363	0.00	0.00	1			00000000	Water purveyor has been contacted.					
663	666	R2047	0.00	0.00	0			00000000						
680	683	R2064	0.00	0.00	0			00000000						
695	698	R2079	0.00	0.00	0			00000000						
719	722	R2103	0.00	0.00	0			00000000						
736	739	R2120	0.00	0.00	0			00000000						
617	620	R2001	0.00	0.00	0			00000000						
666	669	R2050	0.00	0.00	0			00000000						
650	653	R2034	0.00	0.00	0			00000000						
613	616	R1281	0.00	0.00	3			00000000						
614	617	R1294	0.00	0.00	3			00000000						
0	0	C0044	5.00	0.00	2			00000000						
902	906	C2015	0.00	0.00	2			#####	Water purveyor has been contacted.	User has been contacted.				Meets 10-year rule.
113	113	R0140	5.00	0.00	0			00000000	Water purveyor has been contacted.	User has been contacted.				Does not meet 10-year rule.
141	141	R0390	5.00	0.00	1			00000000	Water purveyor has been contacted.	User has been contacted.	Based on acreage.			Meets 10-year rule.
162	162	R0525	5.00	0.00	0			00000000	Water purveyor has been contacted.	User has been contacted.		Questionnaire is on file.		Does not meet 10-year rule.
540	543	R0953	5.00	0.00	1			00000000	Water purveyor has been contacted.					
246	246	R0974	5.00	0.00	0			00000000	Water purveyor has been contacted.	User has been contacted.		Questionnaire is on file.		Does not meet 10-year rule.
260	261	R1074	5.00	0.00	0			00000000	Water purveyor has been contacted.	User has been contacted.				Does not meet 10-year rule.
276	278	R1208	5.00	0.00	1		8/29/95	00000000	Water purveyor has been contacted.	User has been contacted.		Questionnaire is on file.		Does not meet 10-year rule.
312	314	R1252	5.00	0.00	3	1		00000000	Water purveyor has been contacted.		From Water Utility.			
314	316	R1254	5.00	5.00	3	1		00000000	Water purveyor has been contacted.		From Water Utility.			
679	682	R2063	0.00	0.00	0			00000000						
681	684	R2065	0.00	0.00	0			00000000						
734	737	R2118	0.00	0.00	0			00000000						
739	742	R2123	0.00	0.00	0			00000000						
622	625	R2006	0.00	0.00	0			00000000						
620	623	R2004	0.00	0.00	0			00000000						
626	629	R2010	0.00	0.00	0			00000000						
735	738	R2119	0.00	0.00	0			00000000						
47	47	C0101	4.00	0.00	2			#####	Water purveyor has been contacted.	User has been contacted.		Questionnaire is on file.		Meets 10-year rule.
48	48	C0103	4.00	0.00	2			#####	Water purveyor has been contacted.	User has been contacted.		Questionnaire is on file.		Meets 10-year rule.
95	95	C1002	4.00	0.00	2			#####	Water purveyor has been contacted.	User has been contacted.		Questionnaire is on file.		Meets 10-year rule.
96	96	C1003	4.00	0.00	2			#####	Water purveyor has been contacted.	User has been contacted.		Questionnaire is on file.		Meets 10-year rule.
97	97	C1004	4.00	0.00	1			00000000	Water purveyor has been contacted.	User has been contacted.		Questionnaire is on file.		Meets 10-year rule.
142	142	R0400	4.00	0.00	1			00000000	Water purveyor has been contacted.	User has been contacted.				Meets 10-year rule.
233	233	R0950	4.00	0.00	1		12/31/95	00000000		User has been contacted.	HYA Estimation.			Meets 10-year rule.
704	707	R2088	0.00	0.00	0			00000000						
717	720	R2101	0.00	0.00	0			00000000						
721	724	R2105	0.00	0.00	0			00000000						
618	621	R2002	0.00	0.00	0			00000000						
646	649	R2030	0.00	0.00	0			00000000						
723	726	R2107	0.00	0.00	0			00000000						
684	687	R2068	0.00	0.00	0			00000000						

Central Basin Municipal Water District - Existing Database (Final from S. Surbey 12/16/99)

User Pro.	User Pro. ID	NAME	FUTURE AFY	IRRIG ACRES	SER	Dom	Pro Date	ACT Date	CNTCT_PURV	CNTCT_USER	DATA_SOURC	QUESTIONAR	WELL	TENYR_RULE
711	714	R2095	0.00	0.00	0			00000000						
741	744	R2125	0.00	0.00	0			00000000						
670	673	R2054	0.00	0.00	0			00000000						
691	694	R2075	0.00	0.00	0			00000000						
718	721	R2102	0.00	0.00	0			00000000						
692	695	R2076	0.00	0.00	0			00000000						
643	646	R2027	0.00	0.00	0			00000000						
12	12	C0022	3.00	0.00	3			00000000	Water purveyor has been contacted.	User has been contacted.		Questionnaire is on file.		Meets 10-year rule.
865	869	C1100	0.00	0.00	1			00000000	Water purveyor has been contacted.	User has been contacted.				
145	145	R0412	3.00	0.00	0			00000000	Water purveyor has been contacted.			Questionnaire is on file.		Meets 10-year rule.
261	262	R1080	3.00	0.00	0			00000000	Water purveyor has been contacted.	User has been contacted.				Does not meet 10-year rule.
267	269	R1107	3.00	0.00	0			00000000	Water purveyor has been contacted.					Does not meet 10-year rule.
750	753	R1360	0.00	0.00	1			00000000	Water purveyor has been contacted.					
653	656	R2037	0.00	0.00	0			00000000						
700	703	R2084	0.00	0.00	0			00000000						
708	711	R2092	0.00	0.00	0			00000000						
658	661	R2042	0.00	0.00	0			00000000						
621	624	R2005	0.00	0.00	0			00000000						
656	659	R2040	0.00	0.00	0			00000000						
715	718	R2099	0.00	0.00	0			00000000						
629	632	R2013	0.00	0.00	0			00000000						
639	642	R2023	0.00	0.00	0			00000000						
722	725	R2106	0.00	0.00	0			00000000						
619	622	R2003	0.00	0.00	0			00000000						
642	645	R2026	0.00	0.00	0			00000000						
627	630	R2011	0.00	0.00	0			00000000						
641	644	R2025	0.00	0.00	0			00000000						
638	641	R2022	0.00	0.00	0			00000000						
671	674	R2055	0.00	0.00	0			00000000						
705	708	R2089	0.00	0.00	0			00000000						
636	639	R2020	0.00	0.00	0			00000000						
637	640	R2021	0.00	0.00	0			00000000						
640	643	R2024	0.00	0.00	0			00000000						
644	647	R2028	0.00	0.00	0			00000000						
654	657	R2038	0.00	0.00	0			00000000						
725	728	R2109	0.00	0.00	0			00000000						
625	628	R2009	0.00	0.00	0			00000000						
668	671	R2052	0.00	0.00	0			00000000						
673	676	R2057	0.00	0.00	0			00000000						
689	692	R2073	0.00	0.00	3			00000000	Water purveyor has been contacted.					
616	619	R2000	0.00	0.00	0			00000000						
628	631	R2012	0.00	0.00	0			00000000						
645	648	R2029	0.00	0.00	0			00000000						
647	650	R2031	0.00	0.00	0			00000000						
7	7	C0014	2.00	0.00	2			#####	Water purveyor has been contacted.	User has been contacted.		Questionnaire is on file.		Meets 10-year rule.
115	115	R0160	2.00	0.00	0			00000000	Water purveyor has been contacted.	User has been contacted.				Does not meet 10-year rule.
116	116	R0170	2.00	0.00	0			00000000	Water purveyor has been contacted.	User has been contacted.				Does not meet 10-year rule.
117	117	R0180	2.00	0.00	0			00000000	Water purveyor has been contacted.	User has been contacted.				Does not meet 10-year rule.
126	126	R0264	2.00	0.00	1			00000000						
144	144	R0410	2.00	0.00	1			00000000	Water purveyor has been contacted.	User has been contacted.	HYA Estimation.			Meets 10-year rule.
238	238	R0630	2.00	0.00	1			00000000	Water purveyor has been contacted.	User has been contacted.	From User.	Questionnaire is on file.		Meets 10-year rule.
247	247	R0976	2.00	0.00	1			00000000	Water purveyor has been contacted.	User has been contacted.		Questionnaire is on file.		Meets 10-year rule.

Central Basin Municipal Water District - Existing Database (Final from S. Surbey 12/16/99)

User Pro.	User Pro. ID	NAME	FUTURE AFY	IRRIG ACRES	SER	Dom	Pro Date	ACT Date	CNTCT_PURV	CNTCT_USER	DATA_SOURC	QUESTIONAR	WELL	TENYR_RULE
255	256	R1040	2.00	0.00	1			00000000	Water purveyor has been contacted.	User has been contacted.	From User.			Meets 10-year rule.
258	259	R1065	2.00	0.00	1			00000000	Water purveyor has been contacted.		From User.			
630	633	R2014	0.00	0.00	0			00000000						
661	664	R2045	0.00	0.00	0			00000000						
667	670	R2051	0.00	0.00	0			00000000						
682	685	R2066	0.00	0.00	0			00000000						
693	696	R2077	0.00	0.00	0			00000000						
703	706	R2087	0.00	0.00	0			00000000						
727	730	R2111	0.00	0.00	0			00000000						
0	0	C0096	1.00	0.00	2			00000000						
83	83	C0262	4.00	0.00	2			#####	Water purveyor has been contacted.	User has been contacted.		Questionnaire is on file.		Meets 10-year rule.
91	91	C0508	1.00	0.00	1			00000000	Water purveyor has been contacted.	User has been contacted.		Questionnaire is on file.		Meets 10-year rule.
871	875	C1101	0.00	0.00	1		8/29/95	00000000	Water purveyor has been contacted.	User has been contacted.				
872	876	C1102	0.00	0.00	1		8/29/95	00000000	Water purveyor has been contacted.	User has been contacted.				
884	888	C2003	0.00	0.00	0			00000000	Water purveyor has been contacted	User has been contacted.				
885	889	C2004	0.00	0.00	0			00000000						
886	890	C2005	0.00	0.00	0			00000000	Water purveyor has been contacted.	User has been contacted.				
887	891	C2006	0.00	0.00	0			00000000	Water purveyor has been contacted.	User has been contacted.				
889	893	C2008	0.00	0.00	0			00000000	Water purveyor has been contacted.	User has been contacted.				
890	894	C2009	0.00	0.00	0			00000000	Water purveyor has been contacted.	User has been contacted.				
891	895	C2010	0.00	0.00	0			00000000	Water purveyor has been contacted.	User has been contacted.				
893	897	C2012	0.00	0.00	0			00000000	Water purveyor has been contacted.	User has been contacted.				
894	898	C2013	0.00	0.00	0			00000000	Water purveyor has been contacted.	User has been contacted.				
895	899	C2014	0.00	0.00	0			00000000	Water purveyor has been contacted.	User has been contacted.				
118	118	R0190	1.00	0.00	0			00000000	Water purveyor has been contacted.	User has been contacted.				Does not meet 10-year rule.
125	125	R0263	1.00	0.00	1			00000000						
149	149	R0421	0.00	0.00	3			00000000	Water purveyor has been contacted.	User has been contacted.	Based on acreage.			Meets 10-year rule.
152	152	R0429	1.00	0.00	0			00000000	Water purveyor has been contacted.			Questionnaire is on file.		Does not meet 10-year rule.
155	155	R0500	1.00	0.00	1			00000000		User has been contacted.	HYA Estimation.			Meets 10-year rule.
160	160	R0523	1.00	0.00	0			00000000	Water purveyor has been contacted.	User has been contacted.		Questionnaire is on file.		Does not meet 10-year rule.
161	161	R0524	1.00	0.00	0			00000000	Water purveyor has been contacted.	User has been contacted.		Questionnaire is on file.		Does not meet 10-year rule.
164	164	R0600	1.00	0.00	0			00000000	Water purveyor has been contacted.	User has been contacted.				Does not meet 10-year rule.
257	258	R1061	0.00	0.00	0			00000000	Water purveyor has been contacted.	User has been contacted.				Does not meet 10-year rule.
816	819	R1456	0.00	0.00	0			00000000	Water purveyor has been contacted.	User has been contacted.				Meets 10-year rule.
634	637	R2018	0.00	0.00	0			00000000						
635	638	R2019	0.00	0.00	0			00000000						
648	651	R2032	0.00	0.00	0			00000000						
660	663	R2044	0.00	0.00	0			00000000						
662	665	R2046	0.00	0.00	0			00000000						
672	675	R2056	0.00	0.00	0			00000000						
699	702	R2083	0.00	0.00	0			00000000						
710	713	R2094	0.00	0.00	0			00000000						
713	716	R2097	0.00	0.00	0			00000000						
737	740	R2121	0.00	0.00	0			00000000						
774	777	R2203	0.00	0.00	0			00000000	Water purveyor has been contacted.		Demand data not available.			
775	778	R2204	0.00	0.00	0			00000000	Water purveyor has been contacted.		Demand data not available.			
776	779	R2205	0.00	0.00	0			00000000	Water purveyor has been contacted.		Demand data not available.			
777	780	R2206	0.00	0.00	0			00000000	Water purveyor has been contacted.		Demand data not available.			
778	781	R2207	0.00	0.00	0			00000000	Water purveyor has been contacted.		Demand data not available.			
779	782	R2208	0.00	0.00	0			00000000	Water purveyor has been contacted.		Demand data not available.			
780	783	R2209	0.00	0.00	0			00000000	Water purveyor has been contacted.		Demand data not available.			
781	784	R2210	0.00	0.00	0			00000000	Water purveyor has been contacted.		Demand data not available.			

Central Basin Municipal Water District - Existing Database (Final from S. Surbey 12/16/99)

User Pro.	User Pro. ID	User NAME	FUTURE AFY	IRRIG ACRES	SER	Dom	Pro Date	ACT Date	CNTCT_PURV	CNTCT_USER	DATA_SOURC	QUESTIONAR	WELL	TENYR_RULE
782	785	R2212	0.00	0.00	0			00000000	Water purveyor has been contacted.		Demand data not available.			
783	786	R2213	0.00	0.00	0			00000000	Water purveyor has been contacted.		Demand data not available.			
784	787	R2214	0.00	0.00	0			00000000	Water purveyor has been contacted.		Demand data not available.			
785	788	R2215	0.00	0.00	0			00000000	Water purveyor has been contacted.		Demand data not available.			
786	789	R2216	0.00	0.00	0			00000000	Water purveyor has been contacted.		Demand data not available.			
787	790	R2217	0.00	0.00	0			00000000	Water purveyor has been contacted.		Demand data not available.			
788	791	R2218	0.00	0.00	0			00000000	Water purveyor has been contacted.		Demand data not available.			
790	793	R2222	0.00	0.00	0			00000000	Water purveyor has been contacted.		Demand data not available.			
791	794	R2223	0.00	0.00	0			00000000	Water purveyor has been contacted.		Demand data not available.			
792	795	R2224	0.00	0.00	0			00000000	Water purveyor has been contacted.		Demand data not available.			
793	796	R2225	0.00	0.00	0			00000000	Water purveyor has been contacted.		Demand data not available.			
794	797	R2226	0.00	0.00	0			00000000	Water purveyor has been contacted.		Demand data not available.			
795	798	R2227	0.00	0.00	0			00000000	Water purveyor has been contacted.		Demand data not available.			
796	799	R2228	0.00	0.00	0			00000000	Water purveyor has been contacted.		Demand data not available.			
817	820	R2232	0.00	0.00	0			00000000	Water purveyor has been contacted.		Demand data not available.			
818	821	R2233	0.00	0.00	0			00000000	Water purveyor has been contacted.		Demand data not available.			
819	822	R2234	0.00	0.00	0			00000000	Water purveyor has been contacted.		Demand data not available.			
820	823	R2235	0.00	0.00	0			00000000	Water purveyor has been contacted.		Demand data not available.			
821	824	R2236	0.00	0.00	0			00000000	Water purveyor has been contacted.		Demand data not available.			
822	825	R2237	0.00	0.00	0			00000000	Water purveyor has been contacted.		Demand data not available.			
823	826	R2239	0.00	0.00	0			00000000	Water purveyor has been contacted.		Demand data not available.			
824	827	R2240	0.00	0.00	0			00000000	Water purveyor has been contacted.		Demand data not available.			
825	828	R2241	0.00	0.00	0			00000000	Water purveyor has been contacted.		Demand data not available.			
826	829	R2242	0.00	0.00	0			00000000	Water purveyor has been contacted.		Demand data not available.			
827	830	R2243	0.00	0.00	0			00000000	Water purveyor has been contacted.		Demand data not available.			
828	831	R2244	0.00	0.00	0			00000000	Water purveyor has been contacted.		Demand data not available.			
829	832	R2245	0.00	0.00	0			00000000	Water purveyor has been contacted.		Demand data not available.			
830	833	R2246	0.00	0.00	0			00000000	Water purveyor has been contacted.		Demand data not available.			
35	35	C0069	600.00	0.00	1			00000000	Water purveyor has been contacted.	User has been contacted.		Questionnaire is on file.		Meets 10-year rule.
0	0	C0095	0.00	0.00				00000000						
86	86	C0401	500.00	0.00	1			00000000	Water purveyor has been contacted.	User has been contacted.		Questionnaire is on file.		Meets 10-year rule.
87	87	C0410	3.00	0.00	0			00000000	Water purveyor has been contacted.	User has been contacted.		Questionnaire is on file.	Uses private well water.	Does not meet 10-year rule.
881	885	C0455	18.00	0.00	3			00000000	Water purveyor has been contacted.	User has been contacted.		Questionnaire is on file.		Meets 10-year rule.
89	89	C0486	0.00	0.00	0			00000000	Water purveyor has been contacted.	User has been contacted.		Questionnaire is on file.	Uses private well water.	Does not meet 10-year rule.
90	90	C0494	720.00	0.00	2			#####	Water purveyor has been contacted.	User has been contacted.		Questionnaire is on file.		Meets 10-year rule.
92	92	C0532	16.00	0.00	1			00000000	Water purveyor has been contacted.	User has been contacted.		Questionnaire is on file.		Meets 10-year rule.
0	0	C0640	0.00	0.00				00000000						
0	0	C0644	0.00	0.00				00000000						
0	0	C0647	0.00	0.00				00000000						
98	98	C1005	10.00	0.00	1			00000000	Water purveyor has been contacted.	User has been contacted.		Questionnaire is on file.		Meets 10-year rule.
102	102	C1009	20.00	0.00	2			#####	Water purveyor has been contacted.	User has been contacted.		Questionnaire is on file.		Meets 10-year rule.
847	851	C1083	0.00	0.00	1	11/29/95		00000000	Water purveyor has been contacted.	User has been contacted.				
848	852	C1084	0.00	0.00	1			00000000	Water purveyor has been contacted.	User has been contacted.	From Water Utility.			Meets 10-year rule.
838	842	C2001	0.00	0.00	0			00000000						
876	880	C2002	0.00	0.00	1			00000000	Water purveyor has been contacted	User has been contacted				
839	843	C2021	15.00	0.00	1			#####	Water purveyor has been contacted.	User has been contacted.		Questionnaire is on file.		Meets 10-year rule.
120	120	R0210	0.00	0.00	0			00000000	Water purveyor has been contacted.	User has been contacted.				Does not meet 10-year rule.
121	121	R0230	0.00	0.00	0			00000000	Water purveyor has been contacted.	User has been contacted.				Does not meet 10-year rule.
122	122	R0240	0.00	0.00	0			00000000	Water purveyor has been contacted.	User has been contacted.				Does not meet 10-year rule.
123	123	R0250	0.00	0.00	0			00000000	Water purveyor has been contacted.	User has been contacted.				Does not meet 10-year rule.
124	124	R0260	0.00	0.00	0			00000000	Water purveyor has been contacted.	User has been contacted.				Does not meet 10-year rule.
128	128	R0270	0.00	0.00	0			00000000	Water purveyor has been contacted.	User has been contacted.				Does not meet 10-year rule.

Central Basin Municipal Water District - Existing Database (Final from S. Surbey 12/16/99)

User Pro.	User Pro. ID	NAME	FUTURE AFY	IRRIG ACRES	SER	Dom	Pro Date	ACT Date	CNTCT_PURV	CNTCT_USER	DATA_SOURC	QUESTIONAR	WELL	TENYR_RULE
129	129	R0280	0.00	0.00	0			00000000	Water purveyor has been contacted.	User has been contacted.				Does not meet 10-year rule.
131	131	R0301	134.00	0.00	1			00000000	Water purveyor has been contacted.	User has been contacted.	From Water Utility.			Meets 10-year rule.
140	140	R0384	135.00	0.00	1			00000000	Water purveyor has been contacted.	User has been contacted.	ASL list.	Questionnaire is on file.		Meets 10-year rule.
143	143	R0401	62.00	0.00	1			00000000	Water purveyor has been contacted.	User has been contacted.	From Water Utility.			Meets 10-year rule.
148	148	R0420	80.00	0.00	1			00000000	Water purveyor has been contacted.	User has been contacted.		Questionnaire is on file.		Meets 10-year rule.
150	150	R0425	2.00	0.00	0			00000000	Water purveyor has been contacted.			Questionnaire is on file.		Does not meet 10-year rule.
151	151	R0427	0.00	0.00	1			00000000	Water purveyor has been contacted.	User has been contacted.		Questionnaire is on file.		Meets 10-year rule.
153	153	R0430	49.00	0.00	1			00000000	Water purveyor has been contacted.	User has been contacted.	HYA Feasibility Study Report.	Questionnaire is on file.		Meets 10-year rule.
240	240	R0447	40.00	0.00	3			00000000	Water purveyor has been contacted.	User has been contacted.	HYA Feasibility Study Report.	Questionnaire is on file.		Meets 10-year rule.
154	154	R0471	7.00	0.00	0			00000000	Water purveyor has been contacted.	User has been contacted.		Questionnaire is on file.		Does not meet 10-year rule.
156	156	R0501	3.00	0.00	0			00000000	Water purveyor has been contacted.	User has been contacted.		Questionnaire is on file.		Does not meet 10-year rule.
157	157	R0502	0.00	0.00	0			00000000	Water purveyor has been contacted.	User has been contacted.		Questionnaire is on file.		Does not meet 10-year rule.
749	752	R0503	0.00	0.00	3			00000000						
158	158	R0506	2.00	0.00	0			00000000	Water purveyor has been contacted.	User has been contacted.		Questionnaire is on file.		Does not meet 10-year rule.
551	554	R0602	0.00	0.00	1		12/31/95	00000000						
165	165	R0618	0.00	0.00	1			00000000	Water purveyor has been contacted.	User has been contacted.		Questionnaire is on file.	Uses private well water.	Does not meet 10-year rule.
166	166	R0619	0.00	0.00	1			00000000	Water purveyor has been contacted.	User has been contacted.		Questionnaire is on file.	Uses private well water.	Does not meet 10-year rule.
553	556	R0620	0.00	0.00	1			00000000	Water purveyor has been contacted.					
167	167	R0621	0.00	0.00	1			00000000	Water purveyor has been contacted.					
168	168	R0622	0.00	0.00	0			00000000	Water purveyor has been contacted.	User has been contacted.		Questionnaire is on file.		Does not meet 10-year rule.
169	169	R0625	0.00	0.00	1			00000000			From Water Utility.			
170	170	R0627	0.00	0.00	3			00000000	Water purveyor has been contacted.		From Water Utility.			
0	0	R0628	0.00	0.00				00000000						
171	171	R0629	300.00	0.00	1			00000000	Water purveyor has been contacted.	User has been contacted.		Questionnaire is on file.	Uses private well water.	Meets 10-year rule.
172	172	R0637	0.00	0.00	0			00000000	Water purveyor has been contacted.	User has been contacted.		Questionnaire is on file.	Uses private well water.	Does not meet 10-year rule.
173	173	R0641	20.00	0.00	1			00000000	Water purveyor has been contacted.	User has been contacted.		Questionnaire is on file.		Meets 10-year rule.
174	174	R0642	0.00	0.00	1			00000000	Water purveyor has been contacted.		From Water Utility.			
175	175	R0643	0.00	0.00	0			00000000	Water purveyor has been contacted.	User has been contacted.		Questionnaire is on file.		Does not meet 10-year rule.
176	176	R0645	0.00	0.00	1			00000000	Water purveyor has been contacted.		HYA Feasibility Study Report.			Meets 10-year rule.
177	177	R0646	33.00	0.00	1			00000000	Water purveyor has been contacted.	User has been contacted.	ASL list.			Meets 10-year rule.
178	178	R0648	0.00	0.00	0			00000000	Water purveyor has been contacted.					Does not meet 10-year rule.
556	559	R0691	0.00	0.00	1		9/30/95	00000000	Water purveyor has been contacted.					
190	190	R0704	0.00	0.00	0			00000000	Water purveyor has been contacted.			Questionnaire is on file.		Does not meet 10-year rule.
191	191	R0705	447.00	0.00	3			00000000	Water purveyor has been contacted.	User has been contacted.		Questionnaire is on file.		Does not meet 10-year rule.
212	212	R0706	0.00	0.00	3			00000000	Water purveyor has been contacted.		HYA Feasibility Study Report.			Meets 10-year rule.
213	213	R0711	100.00	0.00	1			00000000	Water purveyor has been contacted.	User has been contacted.	HYA Feasibility Study Report.	Questionnaire is on file.		Meets 10-year rule.
192	192	R0724	10.00	0.00	1			00000000	Water purveyor has been contacted.	User has been contacted.		Questionnaire is on file.		Meets 10-year rule.
195	195	R0737	0.00	0.00	3			00000000	Water purveyor has been contacted.	User has been contacted.		Questionnaire is on file.		Does not meet 10-year rule.
196	196	R0752	0.00	0.00	0			00000000	Water purveyor has been contacted.	User has been contacted.		Questionnaire is on file.	Uses private well water.	Does not meet 10-year rule.
197	197	R0754	0.00	0.00	1			00000000	Water purveyor has been contacted.	User has been contacted.				
198	198	R0757	0.00	0.00	0			00000000	Water purveyor has been contacted.	User has been contacted.				Does not meet 10-year rule.
200	200	R0768	40.00	0.00	1			00000000	Water purveyor has been contacted.	User has been contacted.				Meets 10-year rule.
204	204	R0781	0.00	0.00	1			00000000	Water purveyor has been contacted.		From Water Utility.			
205	205	R0782	90.00	0.00	1			00000000	Water purveyor has been contacted.	User has been contacted.	From User.	Questionnaire is on file.	Uses private well water.	Meets 10-year rule.
207	207	R0804	100.00	0.00	1			00000000	Water purveyor has been contacted.					
208	208	R0806	0.00	0.00	0			00000000	Water purveyor has been contacted.					Does not meet 10-year rule.
209	209	R0814	0.00	0.00	0			00000000	Water purveyor has been contacted.					
811	814	R0819	0.00	0.00	0			00000000	Water purveyor has been contacted.	User has been contacted.		Questionnaire is on file.	Uses private well water.	Does not meet 10-year rule.
215	215	R0840	18.00	0.00	0			00000000	Water purveyor has been contacted.	User has been contacted.				Meets 10-year rule.
216	216	R0841	194.00	0.00	0			00000000	Water purveyor has been contacted.	User has been contacted.				Meets 10-year rule.
217	217	R0844	0.00	0.00	1		9/30/95	00000000	Water purveyor has been contacted.		HYA Feasibility Study Report.			
218	218	R0848	0.00	0.00	0			00000000	Water purveyor has been contacted.			Questionnaire is on file.		Meets 10-year rule.

Central Basin Municipal Water District - Existing Database (Final from S. Surbey 12/16/99)

User Pro.	User Pro. ID	NAME	FUTURE AFY	IRRIG ACRES	SER	Dom	Pro Date	ACT Date	CNTCT_PURV	CNTCT_USER	DATA_SOURC	QUESTIONAR	WELL	TENYR_RULE
219	219	R0850	5.00	0.00	0			00000000	Water purveyor has been contacted.	User has been contacted.		Questionnaire is on file.		Does not meet 10-year rule.
221	221	R0853	104.00	0.00	1		9/30/95	00000000	Water purveyor has been contacted.	User has been contacted.	From User.			Meets 10-year rule.
222	222	R0912	0.00	0.00	0			00000000	Water purveyor has been contacted.	User has been contacted.		Questionnaire is on file.		Does not meet 10-year rule.
223	223	R0914	0.00	0.00	1			00000000	Water purveyor has been contacted.		HYA Feasibility Study Report.			
224	224	R0916	250.00	0.00	1			00000000	Water purveyor has been contacted.	User has been contacted.	From User.	Questionnaire is on file.		Meets 10-year rule.
225	225	R0917	250.00	0.00	1			00000000	Water purveyor has been contacted.	User has been contacted.	From User.	Questionnaire is on file.		Meets 10-year rule.
226	226	R0918	605.00	0.00	1			00000000	Water purveyor has been contacted.	User has been contacted.	ASL list.	Questionnaire is on file.		Meets 10-year rule.
227	227	R0927	0.00	0.00	0			00000000	Water purveyor has been contacted.	User has been contacted.		Questionnaire is on file.		Does not meet 10-year rule.
228	228	R0929	0.00	0.00	0			00000000	Water purveyor has been contacted.	User has been contacted.		Questionnaire is on file.		Does not meet 10-year rule.
538	541	R0930	33.00	0.00	1			00000000	Water purveyor has been contacted.	User has been contacted.	HYA Feasibility Study Report.			Meets 10-year rule.
539	542	R0941	0.00	0.00	1			00000000	Water purveyor has been contacted.		HYA Feasibility Study Report.			
248	248	R0978	200.00	0.00	1			00000000	Water purveyor has been contacted.	User has been contacted.	ASL list.	Questionnaire is on file.		Meets 10-year rule.
249	249	R0980	0.00	0.00	0			00000000	Water purveyor has been contacted.	User has been contacted.		Questionnaire is on file.		Does not meet 10-year rule.
250	251	R1001	1000.00	0.00	1			00000000	Water purveyor has been contacted.	User has been contacted.	From User.			Meets 10-year rule.
251	252	R1002	500.00	0.00	1			00000000	Water purveyor has been contacted.	User has been contacted.	From User.			Meets 10-year rule.
252	253	R1003	0.00	0.00	0			00000000	Water purveyor has been contacted.	User has been contacted.		Questionnaire is on file.		Does not meet 10-year rule.
259	260	R1073	20.00	0.00	0			00000000						
917	263	R1081	300.00	0.00	1			00000000	Water purveyor has been contacted.	User has been contacted.	ASL list.	Questionnaire is on file.		Meets 10-year rule.
262	264	R1084	5.00	0.00	0			00000000	Water purveyor has been contacted.	User has been contacted.				Does not meet 10-year rule.
812	815	R1086	0.00	0.00	0			00000000	Water purveyor has been contacted.	User has been contacted.				Does not meet 10-year rule.
263	265	R1095	0.00	0.00	1			00000000	Water purveyor has been contacted.					
264	266	R1099	0.00	0.00	1			00000000	Water purveyor has been contacted.					
265	267	R1101	0.00	0.00	1		9/30/95	00000000	Water purveyor has been contacted.	User has been contacted.				
266	268	R1102	0.00	0.00	1			00000000	Water purveyor has been contacted.					
268	270	R1120	0.00	0.00	1		9/30/95	00000000	Water purveyor has been contacted.					
275	277	R1207	4.00	0.00	0			00000000	Water purveyor has been contacted.	User has been contacted.		Questionnaire is on file.		Does not meet 10-year rule.
277	279	R1212	0.00	0.00	1			00000000						
279	281	R1215	0.00	0.00	3			00000000						
280	282	R1216	0.00	0.00	3			00000000						
281	283	R1217	0.00	0.00	3			00000000						
282	284	R1218	0.00	0.00	3			00000000						
283	285	R1219	0.00	0.00	3			00000000						
284	286	R1220	0.00	0.00	3			00000000						
285	287	R1221	0.00	0.00	3			00000000						
286	288	R1222	0.00	0.00	3			00000000						
287	289	R1223	0.00	0.00	3			00000000						
288	290	R1224	0.00	0.00	3			00000000						
289	291	R1225	0.00	0.00	3			00000000						
290	292	R1226	0.00	0.00	3			00000000						
292	294	R1228	0.00	0.00	3			00000000						
293	295	R1230	0.00	0.00	3			00000000						
294	296	R1231	0.00	0.00	3			00000000						
295	297	R1232	0.00	0.00	3			00000000						
296	298	R1233	0.00	0.00	3			00000000						
299	301	R1237	0.00	0.00	3			00000000						
300	302	R1239	0.00	0.00	3			00000000						
301	303	R1240	0.00	0.00	3			00000000						
302	304	R1241	0.00	0.00	3			00000000						
303	305	R1242	0.00	0.00	3			00000000						
305	307	R1244	0.00	0.00	3			00000000						
307	309	R1246	0.00	0.00	3			00000000						
308	310	R1247	0.00	0.00	3			00000000						

Central Basin Municipal Water District - Existing Database (Final from S. Surbey 12/16/99)

User Pro.	User Pro. ID	NAME	FUTURE AFY	IRRIG ACRES	SER	Dom	Pro Date	ACT Date	CNTCT_PURV	CNTCT_USER	DATA_SOURC	QUESTIONAR	WELL	TENYR_RULE
316	318	R1273	0.00	0.00	3	1		00000000	Water purveyor has been contacted.		From Water Utility.			
317	319	R1276	0.00	0.00	3	1		00000000	Water purveyor has been contacted.		From Water Utility.			
607	610	R1283	0.00	0.00	3			00000000						
322	324	R1284	0.00	0.00	3	1		00000000	Water purveyor has been contacted.		From Water Utility.			
323	325	R1286	0.00	0.00	3	1		00000000	Water purveyor has been contacted.		From Water Utility.			
324	326	R1287	0.00	0.00	3	1		00000000	Water purveyor has been contacted.		From Water Utility.			
325	327	R1290	0.00	0.00	3	1		00000000	Water purveyor has been contacted.		From Water Utility.			
326	328	R1291	0.00	0.00	3	1		00000000	Water purveyor has been contacted.		From Water Utility.			
327	329	R1292	0.00	0.00	3	1		00000000	Water purveyor has been contacted.		From Water Utility.			
328	330	R1293	0.00	0.00	3	1		00000000	Water purveyor has been contacted.		From Water Utility.			
330	332	R1297	0.00	0.00	3	1		00000000	Water purveyor has been contacted.		From Water Utility.			
331	333	R1298	0.00	0.00	3			00000000	Water purveyor has been contacted.		From Water Utility.			
335	337	R1302	0.00	0.00	3			00000000	Water purveyor has been contacted.		From Water Utility.			
336	338	R1303	0.00	0.00	3	1		00000000	Water purveyor has been contacted.		From Water Utility.			
815	818	R1312	0.00	0.00	3			00000000						
340	342	R1313	0.00	0.00	3			00000000						
341	343	R1314	50.00	0.00	1			00000000			From Water Utility.			
342	344	R1315	41.00	0.00	1			00000000			From Water Utility.			
343	345	R1316	178.00	0.00	1			00000000			From Water Utility.			
344	346	R1317	30.00	0.00	1			00000000			From Water Utility.			
605	608	R1318	0.00	0.00	0			00000000						
350	352	R1328	73.00	0.00	1			00000000			From Water Utility.			
352	354	R1332	0.00	0.00	3			00000000						
353	355	R1334	0.00	0.00	1			00000000						
354	356	R1338	0.00	0.00	3			00000000						
355	357	R1342	106.00	0.00	0			00000000			Food Processor, non-compatible			
356	358	R1343	53.00	0.00	1			00000000			From Water Utility.			
357	359	R1345	49.00	0.00	1			00000000			From Water Utility.			
602	605	R1346	111.00	0.00	1			00000000						
359	361	R1350	24.00	0.00	0			00000000			Food Processor, non-compatible			
360	362	R1352	31.00	0.00	1			00000000			From Water Utility.			
758	761	R1366	0.00	0.00	1			00000000	Water purveyor has been contacted.					
743	746	R1443	0.00	0.00	3			00000000						
569	572	R1444	0.00	0.00	3			00000000						
591	594	R1445	0.00	0.00	3			00000000						
603	606	R1446	0.00	0.00	3			00000000						
567	570	R1447	0.00	0.00	3			00000000						
550	553	R1449	0.00	0.00	3			00000000						
558	561	R1450	0.00	0.00	3			00000000						
572	575	R1451	0.00	0.00	3			00000000						
595	598	R1452	0.00	0.00	3			00000000						
587	590	R1453	0.00	0.00	3			00000000						
589	592	R1454	0.00	0.00	3			00000000						
583	586	R1455	0.00	0.00	3			00000000						
624	627	R2008	0.00	0.00	0			00000000						
649	652	R2033	0.00	0.00	0			00000000						
652	655	R2036	0.00	0.00	0			00000000						
659	662	R2043	0.00	0.00	0			00000000						
664	667	R2048	0.00	0.00	0			00000000						
665	668	R2049	0.00	0.00	0			00000000						
675	678	R2059	0.00	0.00	0			00000000						
676	679	R2060	0.00	0.00	0			00000000						

Central Basin Municipal Water District - Existing Database (Final from S. Surbey 12/16/99)

User Pro.	User Pro. ID	NAME	FUTURE AFY	IRRIG ACRES	SER	Dom	Pro Date	ACT Date	CNTCT_PURV	CNTCT_USER	DATA_SOURC	QUESTIONAR	WELL	TENYR_RULE
678	681	R2062	0.00	0.00	0				00000000					
686	689	R2070	0.00	0.00	0				00000000					
687	690	R2071	0.00	0.00	0				00000000					
688	691	R2072	0.00	0.00	0				00000000					
694	697	R2078	0.00	0.00	0				00000000					
696	699	R2080	0.00	0.00	0				00000000					
697	700	R2081	0.00	0.00	0				00000000					
698	701	R2082	0.00	0.00	0				00000000					
701	704	R2085	0.00	0.00	0				00000000					
702	705	R2086	0.00	0.00	0				00000000					
706	709	R2090	0.00	0.00	0				00000000					
707	710	R2091	0.00	0.00	0				00000000					
0	0		0.00	0.00					00000000					
0	0		0.00	0.00					00000000					
0	0		0.00	0.00					00000000					
77	77	C0252							00000000					
139	139	R0380							00000000					

Central Basin Municipal Water District - Existing Database (Final from S. Surbey 12/16/99)

User	User								
Pro.	Pro. ID	NAME	DEMAND_OK	SITE_VISIT	RCD_DRWG	RETROFIT	STUBOUT	FACIL_DRWG	IND_REPORT
179	179	R0649							
915	919	R1460							
239	239	R0635							
19	19	C0042	Potential demand confirmed.	Site visit complete.	Record drawings are on file.	Retrofit has been evaluated.	Stub-out is included in pipeline plans.	Facility drawing is complete.	
579	582	R1420							
592	595	R0958							
351	353	R1331							
566	569	R1413							
358	360	R1348							
577	580	R1421							
16	16	C0038	Potential demand confirmed.	Site visit complete.	Record drawings are not available.	Retrofit has been evaluated.	Stub-out is included in pipeline plans.	Facility drawing is complete.	Engr report is being prepared.
852	856	C1087							
184	184	R0772		Made a site visit.			Stub-out is included in pipeline plans.	Facility drawing 25% complete.	
606	609	R1329							
11	11	C0020	Potential demand confirmed.	Site visit complete.	Record drawings are on file.	Retrofit has been evaluated.	Stub-out is included in pipeline plans.	Facility drawing is complete.	
535	538	R0879		Site visit complete.	Record drawings are on file.	Retrofit has been evaluated.	Stub-out is included in pipeline plans.	Facility drawings complete.	
235	235	R0662							
45	45	C0098	Potential demand confirmed.	Site visit complete.	Record drawings are on file.	Retrofit has been evaluated.	Stub-out is included in pipeline plans.	Facility drawing is complete.	
552	555	R1422							
70	70	C0234	Potential demand confirmed.	Site visit complete.	Record drawings are on file.	Retrofit has been evaluated.	Stub-out is included in pipeline plans.	Facility drawing is complete.	
555	558	R1433							
870	874	R1200		Made a site visit.					Facility drawing 25% complete.
42	42	C0088	Potential demand confirmed.	Site visit complete.	Record drawings are on file.	Retrofit has been evaluated.	Stub-out is included in pipeline plans.	Facility drawing is complete.	
615	618	R1277							
14	14	C0034	Potential demand confirmed.	Site visit complete.	Record drawings are on file.	Retrofit has been evaluated.	Stub-out is included in pipeline plans.	Facility drawing is complete.	
546	549	R0959							
236	236	R0663							
181	181	R0661							
752	755	R0755							
39	39	C0081	Potential demand confirmed.	Site visit complete.	Record drawings are on file.	Retrofit has been evaluated.	Stub-out is included in pipeline plans.	Facility drawing is complete.	
51	51	C0106	Potential demand confirmed.	Site visit complete.	Record drawings are on file.	Retrofit has been evaluated.	Stub-out is included in pipeline plans.	Facility drawing is complete.	
55	55	C0110	Potential demand confirmed.	Site visit complete.	Record drawings are on file.	Retrofit has been evaluated.	Stub-out is included in pipeline plans.	Facility drawing is complete.	
814	817	R1414							
36	36	C0070	Potential demand confirmed.	Site visit complete.	Record drawings are on file.	Retrofit has been evaluated.	Stub-out is included in pipeline plans.	Facility drawing is complete.	
37	37	C0073	Potential demand confirmed.	Site visit complete.	Record drawings are on file.	Retrofit has been evaluated.	Stub-out is included in pipeline plans.	Facility drawing is complete.	
50	50	C0105	Potential demand confirmed.	Site visit complete.	Record drawings are on file.	Retrofit has been evaluated.	Stub-out is included in pipeline plans.	Facility drawing is complete.	
78	78	C0253	Potential demand confirmed.	Site visit complete.	Record drawings are on file.	Retrofit has been evaluated.	Stub-out is included in pipeline plans.	Facility drawing is complete.	
194	194	R0721							
547	550	R0960							
147	147	R0414		Site visit complete.	Record drawings are on file.		Stub-out is included in pipeline plans.	Facility drawing complete.	
851	855	C1086							
67	67	C0228	Potential demand confirmed.	Site visit complete.	Record drawings are on file.	Retrofit has been evaluated.	Stub-out is included in pipeline plans.	Facility drawing is complete.	
3	3	C0008	Potential demand confirmed.	Site visit complete.	Record drawings are on file.	Retrofit has been evaluated.	Stub-out is included in pipeline plans.	Facility drawing is complete.	
597	600	R1434							
581	584	R1412							
880	884	R1415							
186	186	R0678							
6	6	C0013	Potential demand confirmed.	Site visit complete.	Record drawings are on file.	Retrofit has been evaluated.	Stub-out is included in pipeline plans.	Facility drawing is complete.	
253	254	R1005		Site visit complete.	Record drawings are on file.		Stub-out is included in pipeline plans.	Facility drawing is complete.	
677	680	R2061							
866	870	C0413							
861	865	C1096							

Central Basin Municipal Water District - Existing Database (Final from S. Surbey 12/16/99)

User	User								
Pro.	Pro. ID	NAME	DEMAND_OK	SITE_VISIT	RCD_DRWG	RETROFIT	STUBOUT	FACIL_DRWG	IND_REPORT
274	276	R1206							
766	769	R1362							
17	17	C0040	Potential demand confirmed.	Site visit complete.	Record drawings are on file.	Retrofit has been evaluated.	Stub-out is included in pipeline plans.	Facility drawing is complete.	
72	72	C0236	Potential demand confirmed.	Site visit complete.	Record drawings are on file.	Retrofit has been evaluated.	Stub-out is included in pipeline plans.	Facility drawing is complete.	
5	5	C0012	Potential demand confirmed.	Site visit complete.	Record drawings are on file.	Retrofit has been evaluated.	Stub-out is included in pipeline plans.	Facility drawing is complete.	
611	614	R1272							
738	741	R2122							
18	18	C0041	Potential demand confirmed.	Site visit complete.	Record drawings are on file.	Retrofit has been evaluated.	Stub-out is included in pipeline plans.	Facility drawing is complete.	
32	32	C0065	Potential demand confirmed.	Site visit complete.	Record drawings are on file.	Retrofit has been evaluated.	Stub-out is included in pipeline plans.	Facility drawing is complete.	
43	43	C0091	Potential demand confirmed.	Site visit complete.	Record drawings are on file.	Retrofit has been evaluated.	Stub-out is included in pipeline plans.	Facility drawing is complete.	
76	76	C0246	Potential demand confirmed.	Site visit complete.	Record drawings are on file.	Retrofit has been evaluated.	Stub-out is included in pipeline plans.	Facility drawing is complete.	
764	767	C0251	Potential demand confirmed.	Site visit complete.	Record drawings are on file.	Retrofit has been evaluated.	Stub-out is included in pipeline plans.	Facility drawing is complete.	
183	183	R0793							
269	271	R1201		Site visit complete.	Record drawings are on file.	Retrofit has been evaluated.	Stub-out is included in pipeline plans.	Facility drawing complete.	
291	293	R1227							
318	320	R1278							
565	568	R1432							
571	574	R1437							
31	31	C0064	Potential demand confirmed.	Site visit complete.	Record drawings are on file.	Retrofit has been evaluated.	Stub-out is included in pipeline plans.	Facility drawing is complete.	
56	56	C0111	Potential demand confirmed.	Site visit complete.	Record drawings are on file.	Retrofit has been evaluated.	Stub-out is included in pipeline plans.	Facility drawing is complete.	
860	864	C1095							
879	883	C0056	Potential demand confirmed.	Site visit complete.	Record drawings are on file.	Retrofit has been evaluated.	Stub-out is included in pipeline plans.	Facility drawing is complete.	
132	132	R0310		Site visit complete.	Record drawings are on file.		Stub-out is included in pipeline plans.	Facility drawing complete.	
309	311	R1249							
765	768	R1376							
349	351	R1325							
23	23	C0051	Potential demand confirmed.	Site visit complete.	Record drawings are on file.	Retrofit has been evaluated.	Stub-out is included in pipeline plans.	Facility drawing is complete.	
180	180	R0650							
202	202	R0681							
332	334	R1299							
20	20	C0047	Potential demand confirmed.	Site visit complete.	Record drawings are on file.	Retrofit has been evaluated.	Stub-out is included in pipeline plans.	Facility drawing is complete.	
188	188	R0683							
244	244	R0970							
297	299	R1234							
789	792	R2220							
26	26	C0054	Potential demand confirmed.	Site visit complete.	Record drawings are on file.	Retrofit has been evaluated.	Stub-out is included in pipeline plans.	Facility drawing is complete.	
28	28	C0058	Potential demand confirmed.	Site visit complete.	Record drawings are on file.	Retrofit has been evaluated.	Stub-out is included in pipeline plans.	Facility drawing is complete.	
187	187	R0679							
10	10	C0019	Potential demand confirmed.	Site visit complete.	Record drawings are on file.	Retrofit has been evaluated.	Stub-out is included in pipeline plans.	Facility drawing is complete.	
15	15	C0035	Potential demand confirmed.	Site visit complete.	Record drawings are on file.	Retrofit has been evaluated.	Stub-out is included in pipeline plans.	Facility drawing is complete.	
52	52	C0107	Potential demand confirmed.	Site visit complete.	Record drawings are on file.	Retrofit has been evaluated.	Stub-out is included in pipeline plans.	Facility drawing is complete.	
921	921	C2019							
136	136	R0350		Site visit complete.	Record drawings are on file.		Stub-out is included in pipeline plans.	Facility drawing complete.	
199	199	R0760							
532	535	R0824							
534	537	R0836							
298	300	R1235							
313	315	R1253							
768	771	R1377							
574	577	R1438							
875	879	R2248							
9	9	C0016	Potential demand confirmed.	Site visit complete.	Record drawings are on file.	Retrofit has been evaluated.	Stub-out is included in pipeline plans.	Facility drawing is complete.	

Central Basin Municipal Water District - Existing Database (Final from S. Surbey 12/16/99)

User	User								
Pro.	Pro. ID	NAME	DEMAND_OK	SITE_VISIT	RCD_DRWG	RETROFIT	STUBOUT	FACIL_DRWG	IND_REPORT
63	63	C0205	Potential demand confirmed.	Site visit complete.	Record drawings are on file.	Retrofit has been evaluated.	Stub-out is included in pipeline plans.	Facility drawing is complete.	
545	548	R0956							
69	69	C0233	Potential demand confirmed.	Site visit complete.	Record drawings are on file.	Retrofit has been evaluated.	Stub-out is included in pipeline plans.	Facility drawing is complete.	
726	729	R2110							
610	613	R1271							
74	74	C0238	Potential demand confirmed.	Site visit complete.	Record drawings are on file.	Retrofit has been evaluated.	Stub-out is included in pipeline plans.	Facility drawing is complete.	
81	81	C0260	Potential demand confirmed.	Site visit complete.	Record drawings are on file.	Retrofit has been evaluated.	Stub-out is included in pipeline plans.	Facility drawing is complete.	
100	100	C1007	Potential demand confirmed.	Site visit complete.	Record drawings are on file.	Retrofit has been evaluated.	Stub-out is included in pipeline plans.	Facility drawing is complete.	
536	539	R0900		Made a site visit.	Record drawings are on file.	Retrofit has been evaluated.	Stub-out is included in pipeline plans.	Facility drawing complete.	
242	242	R0967							
578	581	R1429							
68	68	C0232	Potential demand confirmed.	Site visit complete.	Record drawings are on file.	Retrofit has been evaluated.	Stub-out is included in pipeline plans.	Facility drawing is complete.	
79	79	C0258	Potential demand confirmed.	Site visit complete.	Record drawings are on file.	Retrofit has been evaluated.	Stub-out is included in pipeline plans.	Facility drawing is complete.	
30	30	C0060	Potential demand confirmed.	Site visit complete.	Record drawings are on file.	Retrofit has been evaluated.	Stub-out is included in pipeline plans.	Facility drawing is complete.	
59	59	C0116	Potential demand confirmed.	Site visit complete.	Record drawings are on file.	Retrofit has been evaluated.	Stub-out is included in pipeline plans.	Facility drawing is complete.	
855	859	C1090							
241	241	R0467							
757	760	R0801							
596	599	R0883							
304	306	R1243							
346	348	R1321							
745	748	R1372							
762	765	R1374							
669	672	R2053							
29	29	C0059	Potential demand confirmed.	Site visit complete.	Record drawings are on file.	Retrofit has been evaluated.	Stub-out is included in pipeline plans.	Facility drawing is complete.	
40	40	C0083	Potential demand confirmed.	Site visit complete.	Record drawings are on file.	Retrofit has been evaluated.	Stub-out is included in pipeline plans.	Facility drawing is complete.	
65	65	C0220	Potential demand confirmed.	Site visit complete.	Record drawings are on file.	Retrofit has been evaluated.	Stub-out is included in pipeline plans.	Facility drawing is complete.	
84	84	C0263	Potential demand confirmed.	Site visit complete.	Record drawings are on file.	Retrofit has been evaluated.	Stub-out is included in pipeline plans.	Facility drawing is complete.	
127	127	R0265		Site Visit Complete.	Record drawings are on file.		Stub-out is included in pipeline plans.		
537	540	R0905							
245	245	R0972		Site visit complete.	Record drawings are on file.		Stub-out is included in pipeline plans.	Facility drawing complete.	
306	308	R1245							
563	566	R1419							
13	13	C0025	Potential demand confirmed.	Site visit complete.	Record drawings are on file.	Retrofit has been evaluated.	Stub-out is included in pipeline plans.	Facility drawing is complete.	
339	341	R1309							
651	654	R2035							
709	712	R2093							
612	615	R1270							
570	573	R1427							
21	21	C0049	Potential demand confirmed.	Site visit complete.	Record drawings are on file.	Retrofit has been evaluated.	Stub-out is included in pipeline plans.	Facility drawing is complete.	
33	33	C0066	Potential demand confirmed.	Site visit complete.	Record drawings are on file.	Retrofit has been evaluated.	Stub-out is included in pipeline plans.	Facility drawing is complete.	
46	46	C0100	Potential demand confirmed.	Site visit complete.	Record drawings are on file.	Retrofit has been evaluated.	Stub-out is included in pipeline plans.	Facility drawing is complete.	
769	772	C0255	Potential demand confirmed.	Site visit complete.	Record drawings are on file.	Retrofit has been evaluated.	Stub-out is included in pipeline plans.	Facility drawing is complete.	
80	80	C0259	Potential demand confirmed.	Site visit complete.	Record drawings are on file.	Retrofit has been evaluated.	Stub-out is included in pipeline plans.	Facility drawing is complete.	
82	82	C0261	Potential demand confirmed.	Site visit complete.	Record drawings are on file.	Retrofit has been evaluated.	Stub-out is included in pipeline plans.	Facility drawing is complete.	
869	873	C0518							
831	834	C2000	Potential demand confirmed.	Site visit complete.	Record drawings are on file.	Retrofit has been evaluated.	Stub-out is included in pipeline plans.	Facility drawing is complete.	
916	920	C2016							
560	563	R0601							
755	758	R0638		Made a site visit.	Record drawings are not available.			Facility drawing 50% complete.	
232	232	R0675							
214	214	R0714							

Central Basin Municipal Water District - Existing Database (Final from S. Surbey 12/16/99)

User	User								
Pro.	Pro. ID	NAME	DEMAND_OK	SITE_VISIT	RCD_DRWG	RETROFIT	STUBOUT	FACIL_DRWG	IND_REPORT
185	185	R0775							
210	210	R0817							
533	536	R0835							
229	229	R0945							
230	230	R0946							
234	234	R0951							
541	544	R0954							
548	551	R0963							
850	854	R1209	Potential demand confirmed.						
319	321	R1279							
744	747	R1370							
732	735	R2116							
66	66	C0227	Potential demand confirmed.	Site visit complete.	Record drawings are on file.	Retrofit has been evaluated.	Stub-out is included in pipeline plans.	Facility drawing is complete.	
856	860	C1091							
220	220	R0677							
333	335	R1300							
564	567	R1431							
8	8	C0015	Potential demand confirmed.	Site visit complete.	Record drawings are on file.	Retrofit has been evaluated.	Stub-out is included in pipeline plans.	Facility drawing is complete.	
25	25	C0053	Potential demand confirmed.	Site visit complete.	Record drawings are on file.	Retrofit has been evaluated.	Stub-out is included in pipeline plans.	Facility drawing is complete.	
146	146	R0413							
189	189	R0700		Made a site visit.	Record drawings are on file.			Facility drawing 0% complete.	
582	585	R1417							
580	583	R1430							
772	775	R2201							
57	57	C0112	Potential demand confirmed.	Site visit complete.	Record drawings are on file.	Retrofit has been evaluated.	Stub-out is included in pipeline plans.	Facility drawing is complete.	
71	71	C0235	Potential demand confirmed.	Site visit complete.	Record drawings are on file.	Retrofit has been evaluated.	Stub-out is included in pipeline plans.	Facility drawing is complete.	
853	857	C1088							
134	134	R0330		Made a site visit.				Facility drawing 50% complete.	
754	757	R0676							
24	24	C0052	Potential demand confirmed.	Site visit complete.	Record drawings are on file.	Retrofit has been evaluated.	Stub-out is included in pipeline plans.	Facility drawing is complete.	
41	41	C0087	Potential demand confirmed.	Site visit complete.	Record drawings are on file.	Retrofit has been evaluated.	Stub-out is included in pipeline plans.	Facility drawing is complete.	
888	892	C2007							
892	896	C2011							
138	138	R0370			Record drawings are on file.		Stub-out is included in pipeline plans.	Facility drawing 75% complete.	
272	274	R1204		Made a site visit.	Record drawings are on file.			Facility drawing 25% complete.	
594	597	R1439							
631	634	R2015							
633	636	R2017							
54	54	C0109							
64	64	C0206	Potential demand confirmed.	Site visit complete.	Record drawings are on file.	Retrofit has been evaluated.	Stub-out is included in pipeline plans.	Facility drawing is complete.	
99	99	C1006	Potential demand confirmed.	Site visit complete.	Record drawings are on file.	Retrofit has been evaluated.	Stub-out is included in pipeline plans.	Facility drawing is complete.	
103	103	C1077							
857	861	C1092							
858	862	C1093							
201	201	R0770							
182	182	R0790							
211	211	R0821							
531	534	R0822							
543	546	R0947							
544	547	R0949		Made a site visit.	Record drawings are on file.		Stub-out is included in pipeline plans.	Facility drawing complete.	
542	545	R0955							
549	552	R0965							

Central Basin Municipal Water District - Existing Database (Final from S. Surbey 12/16/99)

User	User								
Pro.	Pro. ID	NAME	DEMAND_OK	SITE_VISIT	RCD_DRWG	RETROFIT	STUBOUT	FACIL_DRWG	IND_REPORT
243	243	R0969							
918	250	R1000	Potential Demand Confirmed	Site visit complete.	Record drawings are not available.	Retrofit has been evaluated.	Stub-out is included in pipeline plans.	Facility drawing complete.	
273	275	R1205							
278	280	R1213		Site visit complete.	Record drawings are on file.		Stub-out is included in pipeline plans.	Facility drawing complete.	
338	340	R1307							
600	603	R1319							
763	766	R1375							
731	734	R2115							
27	27	C0057	Potential demand confirmed.	Site visit complete.	Record drawings are on file.	Retrofit has been evaluated.	Stub-out is included in pipeline plans.	Facility drawing is complete.	
53	53	C0108	Potential demand confirmed.	Site visit complete.	Record drawings are on file.	Retrofit has been evaluated.	Stub-out is included in pipeline plans.	Facility drawing is complete.	
62	62	C0204	Potential demand confirmed.	Site visit complete.	Record drawings are on file.	Retrofit has been evaluated.	Stub-out is included in pipeline plans.	Facility drawing is complete.	
868	872	C0520							
864	868	C1099							
114	114	R0150			Record drawings are on file.				
347	349	R1322							
593	596	R1423							
728	731	R2112							
730	733	R2114							
44	44	C0094	Potential demand confirmed.	Site visit complete.	Record drawings are on file.	Retrofit has been evaluated.	Stub-out is included in pipeline plans.	Facility drawing is complete.	Engr report is being prepared.
60	60	C0127	Potential demand confirmed.	Site visit complete.	Record drawings are on file.	Retrofit has been evaluated.	Stub-out is included in pipeline plans.	Facility drawing is complete.	
867	871	C0462							
271	273	R1203		Site visit complete.	Record drawings are on file.	Retrofit has been evaluated.	Stub-out is included in pipeline plans.	Facility drawing complete.	
334	336	R1301							
756	759	R1364							
584	587	R1416							
683	686	R2067							
4	4	C0009	Potential demand confirmed.	Site visit complete.	Record drawings are on file.	Retrofit has been evaluated.	Stub-out is included in pipeline plans.	Facility drawing is complete.	
22	22	C0050	Potential demand confirmed.	Site visit complete.	Record drawings are on file.	Retrofit has been evaluated.	Stub-out is included in pipeline plans.	Facility drawing is complete.	
73	73	C0237	Potential demand confirmed.	Site visit complete.	Record drawings are on file.	Retrofit has been evaluated.	Stub-out is included in pipeline plans.	Facility drawing is complete.	
101	101	C1008	Potential demand confirmed.	Site visit complete.	Record drawings are on file.	Retrofit has been evaluated.	Stub-out is included in pipeline plans.	Facility drawing is complete.	
104	104	C1078	Potential demand confirmed.	Site visit complete.	Record drawings are on file.	Retrofit has been evaluated.	Stub-out is included in pipeline plans.	Facility drawing is complete.	
106	106	C1080	Potential demand confirmed.	Site visit complete.	Record drawings are on file.	Retrofit has been evaluated.	Stub-out is included in pipeline plans.	Facility drawing is complete.	
854	858	C1089							
130	130	R0300		Site visit complete.	Record drawings are on file.		Stub-out is included in pipeline plans.	Facility drawing complete.	
329	331	R1296							
348	350	R1323							
742	745	R1353							
590	593	R1418							
575	578	R1428							
599	602	R1441							
586	589	R1442							
729	732	R2113							
773	776	R2202							
690	693	R2074							
862	866	C1097							
863	867	C1098							
163	163	R0570	Potential demand confirmed.	Made a site visit.	Record drawings are on file.	Retrofit has been evaluated.		Facility drawing is complete.	
237	237	R0664							
193	193	R0720	Potential demand confirmed.	Site visit complete.	Record drawings are not available.	Retrofit has been evaluated.	Stub-out is included in pipeline plans.	Facility drawing is complete.	Engr report is being prepared.
714	717	R2098							
733	736	R2117							
623	626	R2007							

Central Basin Municipal Water District - Existing Database (Final from S. Surbey 12/16/99)

User	User								
Pro.	Pro. ID	NAME	DEMAND_OK	SITE_VISIT	RCD_DRWG	RETROFIT	STUBOUT	FACIL_DRWG	IND_REPORT
609	612	R1275							
0	0	C0043							
34	34	C0067	Potential demand confirmed.	Site visit complete.	Record drawings are on file.	Retrofit has been evaluated.	Stub-out is included in pipeline plans.	Facility drawing is complete.	
38	38	C0075	Potential demand confirmed.	Site visit complete.	Record drawings are on file.	Retrofit has been evaluated.	Stub-out is included in pipeline plans.	Facility drawing is complete.	
49	49	C0104	Potential demand confirmed.	Site visit complete.	Record drawings are on file.	Retrofit has been evaluated.	Stub-out is included in pipeline plans.	Facility drawing is complete.	
75	75	C0244	Potential demand confirmed.	Site visit complete.	Record drawings are on file.	Retrofit has been evaluated.	Stub-out is included in pipeline plans.	Facility drawing is complete.	
94	94	C1001	Potential demand confirmed.	Site visit complete.	Record drawings are on file.	Retrofit has been evaluated.	Stub-out is included in pipeline plans.	Facility drawing is complete.	
105	105	C1079	Potential demand confirmed.	Site visit complete.	Record drawings are on file.	Retrofit has been evaluated.	Stub-out is included in pipeline plans.	Facility drawing is complete.	
107	107	C1081	Potential demand confirmed.	Site visit complete.	Record drawings are on file.	Retrofit has been evaluated.	Stub-out is included in pipeline plans.	Facility drawing is complete.	
849	853	C1085							
859	863	C1094							
203	203	R0682							
321	323	R1282							
767	770	R1356							
588	591	R1440							
771	774	R2200							
724	727	R2108							
2	2	C0007	Potential demand confirmed.	Site visit complete.	Record drawings are on file.	Retrofit has been evaluated.	Stub-out is included in pipeline plans.	Facility drawing is complete.	
85	85	C0266	Potential demand confirmed.	Site visit complete.	Record drawings are on file.	Retrofit has been evaluated.	Stub-out is included in pipeline plans.	Facility drawing is complete.	
93	93	C1000	Potential demand confirmed.	Site visit complete.	Record drawings are on file.	Retrofit has been evaluated.	Stub-out is included in pipeline plans.	Facility drawing is complete.	
119	119	R0200							
133	133	R0320		Site visit complete.	Record drawings are on file.			Facility drawing 75% complete.	
345	347	R1320							
685	688	R2069							
720	723	R2104							
740	743	R2124							
88	88	C0439	Potential demand confirmed.	Site visit complete.	Record drawings are on file.	Retrofit has been evaluated.	Stub-out is included in pipeline plans.	Facility drawing is complete.	
112	112	R0130			Record drawings are on file.				
256	257	R1052			Record drawings are on file.				
270	272	R1202							
310	312	R1250							
311	313	R1251							
770	773	R1357							
759	762	R1359							
608	611	R1274							
657	660	R2041							
674	677	R2058							
813	816	C0102	Potential demand confirmed.	Site visit complete.	Record drawings are on file.	Retrofit has been evaluated.	Stub-out is included in pipeline plans.	Facility drawing is complete.	
58	58	C0113	Potential demand confirmed.	Site visit complete.	Record drawings are on file.	Retrofit has been evaluated.	Stub-out is included in pipeline plans.	Facility drawing is complete.	
61	61	C0201	Potential demand confirmed.	Site visit complete.	Record drawings are on file.	Retrofit has been evaluated.	Stub-out is included in pipeline plans.	Facility drawing is complete.	
109	109	R0100			Record drawings are on file.				
111	111	R0120			Record drawings are on file.				
135	135	R0340		Made a site visit.	Record drawings are on file.			Facility drawing 25% complete.	
159	159	R0521							
573	576	R1400							
712	715	R2096							
716	719	R2100							
632	635	R2016							
655	658	R2039							
1	1	C0006	Potential demand confirmed.	Site visit complete.	Record drawings are on file.	Retrofit has been evaluated.	Stub-out is included in pipeline plans.	Facility drawing is complete.	
108	108	C1082	Potential demand confirmed.	Site visit complete.	Record drawings are on file.	Retrofit has been evaluated.	Stub-out is included in pipeline plans.	Facility drawing is complete.	
110	110	R0110			Record drawings are on file.				

Central Basin Municipal Water District - Existing Database (Final from S. Surbey 12/16/99)

User	User								
Pro.	Pro. ID	NAME	DEMAND_OK	SITE_VISIT	RCD_DRWG	RETROFIT	STUBOUT	FACIL_DRWG	IND_REPORT
137	137	R0360		Site visit complete.	Record drawings are on file.		Stub-out is included in pipeline plans.	Facility drawing complete.	
231	231	R0665							
206	206	R0800		Site visit complete.				Facility drawing 0% complete.	
254	255	R1039			Record drawings are on file.				
315	317	R1269							
320	322	R1280							
337	339	R1306							
751	754	R1358							
761	764	R1363							
663	666	R2047							
680	683	R2064							
695	698	R2079							
719	722	R2103							
736	739	R2120							
617	620	R2001							
666	669	R2050							
650	653	R2034							
613	616	R1281							
614	617	R1294							
0	0	C0044							
902	906	C2015		Site visit complete.		Retrofit has been evaluated.	Stub-out is included in pipeline plans.	Facility drawing is complete.	
113	113	R0140			Record drawings are on file.				
141	141	R0390			Record drawings are on file.			Facility drawing 75% complete.	
162	162	R0525							
540	543	R0953							
246	246	R0974			Record drawings are on file.				
260	261	R1074							
276	278	R1208		Made a site visit.	Record drawings are on file.	Retrofit has been evaluated.		Facility drawing complete.	
312	314	R1252							
314	316	R1254							
679	682	R2063							
681	684	R2065							
734	737	R2118							
739	742	R2123							
622	625	R2006							
620	623	R2004							
626	629	R2010							
735	738	R2119							
47	47	C0101	Potential demand confirmed.	Site visit complete.	Record drawings are on file.	Retrofit has been evaluated.	Stub-out is included in pipeline plans.	Facility drawing is complete.	
48	48	C0103	Potential demand confirmed.	Site visit complete.	Record drawings are on file.	Retrofit has been evaluated.	Stub-out is included in pipeline plans.	Facility drawing is complete.	
95	95	C1002	Potential demand confirmed.	Site visit complete.	Record drawings are on file.	Retrofit has been evaluated.	Stub-out is included in pipeline plans.	Facility drawing is complete.	
96	96	C1003	Potential demand confirmed.	Site visit complete.	Record drawings are on file.	Retrofit has been evaluated.	Stub-out is included in pipeline plans.	Facility drawing is complete.	
97	97	C1004	Potential demand confirmed.	Site visit complete.	Record drawings are on file.	Retrofit has been evaluated.	Stub-out is included in pipeline plans.	Facility drawing is complete.	
142	142	R0400		Made a site visit.	Record drawings are on file.				
233	233	R0950		Site visit complete.	Record drawings are on file.				
704	707	R2088							
717	720	R2101							
721	724	R2105							
618	621	R2002							
646	649	R2030							
723	726	R2107							
684	687	R2068							

Central Basin Municipal Water District - Existing Database (Final from S. Surbey 12/16/99)

User	User								
Pro.	Pro. ID	NAME	DEMAND_OK	SITE_VISIT	RCD_DRWG	RETROFIT	STUBOUT	FACIL_DRWG	IND_REPORT
711	714	R2095							
741	744	R2125							
670	673	R2054							
691	694	R2075							
718	721	R2102							
692	695	R2076							
643	646	R2027							
12	12	C0022	Potential demand confirmed.	Site visit complete.	Record drawings are on file.	Retrofit has been evaluated.	Stub-out is included in pipeline plans.	Facility drawing is complete.	
865	869	C1100							
145	145	R0412							
261	262	R1080							
267	269	R1107							
750	753	R1360							
653	656	R2037							
700	703	R2084							
708	711	R2092							
658	661	R2042							
621	624	R2005							
656	659	R2040							
715	718	R2099							
629	632	R2013							
639	642	R2023							
722	725	R2106							
619	622	R2003							
642	645	R2026							
627	630	R2011							
641	644	R2025							
638	641	R2022							
671	674	R2055							
705	708	R2089							
636	639	R2020							
637	640	R2021							
640	643	R2024							
644	647	R2028							
654	657	R2038							
725	728	R2109							
625	628	R2009							
668	671	R2052							
673	676	R2057							
689	692	R2073							
616	619	R2000							
628	631	R2012							
645	648	R2029							
647	650	R2031							
7	7	C0014	Potential demand confirmed.	Site visit complete.	Record drawings are on file.	Retrofit has been evaluated.	Stub-out is included in pipeline plans.	Facility drawing is complete.	
115	115	R0160			Record drawings are on file.				
116	116	R0170			Record drawings are on file.				
117	117	R0180			Record drawings are on file.				
126	126	R0264							
144	144	R0410		Made a site visit.					
238	238	R0630		Made a site visit.	Record drawings are not available.			Facility drawing 50% complete.	
247	247	R0976	Potential Demand Confirmed	Site visit complete.	Record drawings are on file.	Retrofit has been evaluated.		Facility Drawings are complete	

Central Basin Municipal Water District - Existing Database (Final from S. Surbey 12/16/99)

User Pro.	User ID	NAME	DEMAND_OK	SITE_VISIT	RCD_DRWG	RETROFIT	STUBOUT	FACIL_DRWG	IND_REPORT
255	256	R1040			Record drawings are on file.				
258	259	R1065							
630	633	R2014							
661	664	R2045							
667	670	R2051							
682	685	R2066							
693	696	R2077							
703	706	R2087							
727	730	R2111							
0	0	C0096							
83	83	C0262	Potential demand confirmed.	Site visit complete.	Record drawings are on file.	Retrofit has been evaluated.	Stub-out is included in pipeline plans.	Facility drawing is complete.	
91	91	C0508	Potential demand confirmed.	Site visit complete.	Record drawings are on file.	Retrofit has been evaluated.	Stub-out is included in pipeline plans.	Facility drawing is complete.	
871	875	C1101							
872	876	C1102							
884	888	C2003							
885	889	C2004							
886	890	C2005							
887	891	C2006							
889	893	C2008							
890	894	C2009							
891	895	C2010							
893	897	C2012							
894	898	C2013							
895	899	C2014							
118	118	R0190			Record drawings are on file.				
125	125	R0263							
149	149	R0421							
152	152	R0429							
155	155	R0500		Site visit complete.	Record drawings are not available.		Stub-out is included in pipeline plans.	Facility drawing complete.	
160	160	R0523							
161	161	R0524							
164	164	R0600		Site visit complete.					
257	258	R1061			Record drawings are on file.				
816	819	R1456			Record Drawings on file.	Retrofit has been evaluated.		Facility drawing complete.	
634	637	R2018							
635	638	R2019							
648	651	R2032							
660	663	R2044							
662	665	R2046							
672	675	R2056							
699	702	R2083							
710	713	R2094							
713	716	R2097							
737	740	R2121							
774	777	R2203							
775	778	R2204							
776	779	R2205							
777	780	R2206							
778	781	R2207							
779	782	R2208							
780	783	R2209							
781	784	R2210							

Central Basin Municipal Water District - Existing Database (Final from S. Surbey 12/16/99)

User	User								
Pro.	Pro. ID	NAME	DEMAND_OK	SITE_VISIT	RCD_DRWG	RETROFIT	STUBOUT	FACIL_DRWG	IND_REPORT
782	785	R2212							
783	786	R2213							
784	787	R2214							
785	788	R2215							
786	789	R2216							
787	790	R2217							
788	791	R2218							
790	793	R2222							
791	794	R2223							
792	795	R2224							
793	796	R2225							
794	797	R2226							
795	798	R2227							
796	799	R2228							
817	820	R2232							
818	821	R2233							
819	822	R2234							
820	823	R2235							
821	824	R2236							
822	825	R2237							
823	826	R2239							
824	827	R2240							
825	828	R2241							
826	829	R2242							
827	830	R2243							
828	831	R2244							
829	832	R2245							
830	833	R2246							
35	35	C0069	Potential demand confirmed.	Site visit complete.	Record drawings are on file.	Retrofit has been evaluated.	Stub-out is included in pipeline plans.	Facility drawing is complete.	Engr report is being prepared.
0	0	C0095							
86	86	C0401	Potential demand confirmed.	Site visit complete.	Record drawings are on file.	Retrofit has been evaluated.	Stub-out is included in pipeline plans.	Facility drawing is complete.	
87	87	C0410	Potential demand confirmed.	Site visit complete.	Record drawings are not available.	Retrofit has been evaluated.	Stub-out is included in pipeline plans.	Facility drawing is complete.	Engr report is being prepared.
881	885	C0455	Potential demand confirmed.	Site visit complete.	Record drawings are on file.	Retrofit has been evaluated.	Stub-out is included in pipeline plans.		Engr report is being prepared.
89	89	C0486	Potential demand confirmed.	Site visit complete.	Record drawings are not available.	Retrofit has been evaluated.	Stub-out is included in pipeline plans.	Facility drawing is complete.	Engr report is being prepared.
90	90	C0494	Potential demand confirmed.	Site visit complete.	Record drawings are on file.	Retrofit has been evaluated.	Stub-out is included in pipeline plans.	Facility drawing is complete.	
92	92	C0532	Potential demand confirmed.	Site visit complete.	Record drawings are on file.	Retrofit has been evaluated.	Stub-out is included in pipeline plans.	Facility drawing is complete.	Engr report is being prepared.
0	0	C0640							
0	0	C0644							
0	0	C0647							
98	98	C1005	Potential demand confirmed.	Site visit complete.	Record drawings are on file.	Retrofit has been evaluated.	Stub-out is included in pipeline plans.	Facility drawing is complete.	Engr report is being prepared.
102	102	C1009	Potential demand confirmed.	Site visit complete.	Record drawings are on file.	Retrofit has been evaluated.	Stub-out is included in pipeline plans.	Facility drawing is complete.	Engr report is being prepared.
847	851	C1083							
848	852	C1084							
838	842	C2001							
876	880	C2002							
839	843	C2021	Potential demand confirmed.	Site visit complete.	Record drawings are on file.	Retrofit has been evaluated.			Engr report is being prepared.
120	120	R0210		Made a site visit.	Record drawings are on file.				
121	121	R0230		Made a site visit.					
122	122	R0240		Made a site visit.	Record drawings are on file.				
123	123	R0250		Made a site visit.	Record drawings are on file.				
124	124	R0260		Made a site visit.	Record drawings are on file.				
128	128	R0270		Made a site visit.	Record drawings are on file.				

Central Basin Municipal Water District - Existing Database (Final from S. Surbey 12/16/99)

User	User								
Pro.	ID	NAME	DEMAND_OK	SITE_VISIT	RCD_DRWG	RETROFIT	STUBOUT	FACIL_DRWG	IND_REPORT
129	129	R0280		Made a site visit.	Record drawings are on file.				
131	131	R0301		Made a site visit.		Retrofit has been evaluated.	Stub-out is included in pipeline plans.	Facility drawing 0% complete.	Engr report is being prepared.
140	140	R0384							
143	143	R0401		Made a site visit.			Stub-out is included in pipeline plans.	Facility drawing 0% complete.	
148	148	R0420		Site visit complete.	Record drawings are on file.		Stub-out is included in pipeline plans.		Engr report is being prepared.
150	150	R0425							
151	151	R0427		Made a site visit.	Record drawings are not available.				
153	153	R0430		Made a site visit.	Record drawings are on file.			Facility drawing 50% complete.	
240	240	R0447		Made a site visit.	Record drawings are not available.			Facility drawing 25% complete.	
154	154	R0471							
156	156	R0501							
157	157	R0502		Made a site visit.	Record drawings are on file.				
749	752	R0503							
158	158	R0506							
551	554	R0602							
165	165	R0618	Potential demand confirmed.	Site visit complete.	Record drawings are not available.	Retrofit has been evaluated.	Stub-out is included in pipeline plans.	Facility drawing is complete.	Engr report is being prepared.
166	166	R0619	Potential demand confirmed.	Site visit complete.	Record drawings are not available.	Retrofit has been evaluated.	Stub-out is included in pipeline plans.	Facility drawing is complete.	Engr report is being prepared.
553	556	R0620							
167	167	R0621							
168	168	R0622							
169	169	R0625							
170	170	R0627							
0	0	R0628							
171	171	R0629	Potential demand confirmed.	Site visit complete.	Record drawings are on file.	Retrofit has been evaluated.	Stub-out is included in pipeline plans.	Facility drawing is complete.	Engr report is being prepared.
172	172	R0637	Potential demand confirmed.	Site visit complete.	Record drawings are not available.	Retrofit has been evaluated.	Stub-out is included in pipeline plans.	Facility drawing is complete.	Engr report is being prepared.
173	173	R0641		Made a site visit.	Record drawings are on file.		Stub-out is included in pipeline plans.	Facility drawing 0% complete.	
174	174	R0642							
175	175	R0643							
176	176	R0645							
177	177	R0646		Made a site visit.	Record drawings are on file.		Stub-out is included in pipeline plans.	Facility drawing 0% complete.	
178	178	R0648							
556	559	R0691							
190	190	R0704							
191	191	R0705		Made a site visit.			Stub-out is included in pipeline plans.	Facility drawing 0% complete.	
212	212	R0706							
213	213	R0711					Stub-out is included in pipeline plans.	Facility drawing 0% complete.	
192	192	R0724		Made a site visit.			Stub-out is included in pipeline plans.	Facility drawing 0% complete.	
195	195	R0737							
196	196	R0752	Potential demand confirmed.	Site visit complete.	Record drawings are not available.	Retrofit has been evaluated.	Stub-out is included in pipeline plans.	Facility drawing is complete.	Engr report is being prepared.
197	197	R0754							
198	198	R0757							
200	200	R0768						Facility drawing 0% complete.	
204	204	R0781							
205	205	R0782		Made a site visit.			Stub-out is included in pipeline plans.	Facility drawing 0% complete.	
207	207	R0804							
208	208	R0806							
209	209	R0814							
811	814	R0819	Potential demand confirmed.	Site visit complete.	Record drawings are not available.	Retrofit has been evaluated.	Stub-out is included in pipeline plans.	Facility drawing is complete.	Engr report is being prepared.
215	215	R0840						Facility drawing 0% complete.	
216	216	R0841						Facility drawing 0% complete.	
217	217	R0844							
218	218	R0848							

Central Basin Municipal Water District - Existing Database (Final from S. Surbey 12/16/99)

User	User								
Pro.	Pro. ID	NAME	DEMAND_OK	SITE_VISIT	RCD_DRWG	RETROFIT	STUBOUT	FACIL_DRWG	IND_REPORT
219	219	R0850			Record drawings are on file.			Facility drawing 0% complete.	
221	221	R0853		Made a site visit.	Record drawings are on file.		Stub-out is included in pipeline plans.		
222	222	R0912							
223	223	R0914							
224	224	R0916	Potential demand confirmed.	Site visit complete.	Record drawings are on file.	Retrofit has been evaluated.	Stub-out is included in pipeline plans.		Engr report is being prepared.
225	225	R0917	Potential demand confirmed.	Site visit complete.	Record drawings are on file.	Retrofit has been evaluated.	Stub-out is included in pipeline plans.		Engr report is being prepared.
226	226	R0918		Made a site visit.			Stub-out is included in pipeline plans.		
227	227	R0927							
228	228	R0929							
538	541	R0930		Made a site visit.			Stub-out is included in pipeline plans.		
539	542	R0941							
248	248	R0978		Made a site visit.			Stub-out is included in pipeline plans.		
249	249	R0980							
250	251	R1001		Site visit complete.	Record drawings are on file.	Retrofit has been evaluated.	Stub-out is included in pipeline plans.		Engr report is being prepared.
251	252	R1002		Site visit complete.	Record drawings are on file.	Retrofit has been evaluated.	Stub-out is included in pipeline plans.		Engr report is being prepared.
252	253	R1003							
259	260	R1073							
917	263	R1081		Made a site visit.					
262	264	R1084							
812	815	R1086							
263	265	R1095							
264	266	R1099							
265	267	R1101							
266	268	R1102							
268	270	R1120							
275	277	R1207							
277	279	R1212							
279	281	R1215							
280	282	R1216							
281	283	R1217							
282	284	R1218							
283	285	R1219							
284	286	R1220							
285	287	R1221							
286	288	R1222							
287	289	R1223							
288	290	R1224							
289	291	R1225							
290	292	R1226							
292	294	R1228							
293	295	R1230							
294	296	R1231							
295	297	R1232							
296	298	R1233							
299	301	R1237							
300	302	R1239							
301	303	R1240							
302	304	R1241							
303	305	R1242							
305	307	R1244							
307	309	R1246							
308	310	R1247							

Central Basin Municipal Water District - Existing Database (Final from S. Surbey 12/16/99)

User	User								
Pro.	Pro. ID	NAME	DEMAND_OK	SITE_VISIT	RCD_DRWG	RETROFIT	STUBOUT	FACIL_DRWG	IND_REPORT
316	318	R1273							
317	319	R1276							
607	610	R1283							
322	324	R1284							
323	325	R1286							
324	326	R1287							
325	327	R1290							
326	328	R1291							
327	329	R1292							
328	330	R1293							
330	332	R1297							
331	333	R1298							
335	337	R1302							
336	338	R1303							
815	818	R1312							
340	342	R1313							
341	343	R1314							
342	344	R1315							
343	345	R1316							
344	346	R1317							
605	608	R1318							
350	352	R1328							
352	354	R1332							
353	355	R1334							
354	356	R1338							
355	357	R1342							
356	358	R1343							
357	359	R1345							
602	605	R1346							
359	361	R1350							
360	362	R1352							
758	761	R1366							
743	746	R1443							
569	572	R1444							
591	594	R1445							
603	606	R1446							
567	570	R1447							
550	553	R1449							
558	561	R1450							
572	575	R1451							
595	598	R1452							
587	590	R1453							
589	592	R1454							
583	586	R1455							
624	627	R2008							
649	652	R2033							
652	655	R2036							
659	662	R2043							
664	667	R2048							
665	668	R2049							
675	678	R2059							
676	679	R2060							

Central Basin Municipal Water District - Existing Database (Final from S. Surbey 12/16/99)

User	User								
Pro.	Pro.	ID NAME	DEMAND_OK	SITE_VISIT	RCD_DRWG	RETROFIT	STUBOUT	FACIL_DRWG	IND_REPORT
678	681	R2062							
686	689	R2070							
687	690	R2071							
688	691	R2072							
694	697	R2078							
696	699	R2080							
697	700	R2081							
698	701	R2082							
701	704	R2085							
702	705	R2086							
706	709	R2090							
707	710	R2091							
0	0								
0	0								
0	0								
77	77	C0252							
139	139	R0380							

User	User	Pro.	Pro. ID	NAME	SUBMIT_DHS	APPRVL_DHS	RETRO_COST	FINANCING	SLCTCNCTR	CONTRACTOR	PRE_DHSVST	X_CONNECT	BACKFLOW	MTR_INSTL	RETRO_DONE	SIGNS	TEST	FNL_DHSVST	USR_CONN	
		179	179	R0649		FALSE	FALSE	FALSE	FALSE		FALSE	FALSE	FALSE	FALSE	FALSE	FALSE	FALSE	FALSE	FALSE	FALSE
		915	919	R1460		FALSE	FALSE	FALSE	FALSE		FALSE	FALSE	FALSE	FALSE	FALSE	FALSE	FALSE	FALSE	FALSE	FALSE
		239	239	R0635		FALSE	FALSE	FALSE	FALSE		FALSE	FALSE	FALSE	FALSE	FALSE	FALSE	FALSE	FALSE	FALSE	FALSE
		19	19	C0042	Info submitted to DHS.	TRUE	FALSE	FALSE	FALSE		FALSE	FALSE	FALSE	FALSE	FALSE	FALSE	FALSE	FALSE	FALSE	FALSE
		579	582	R1420		FALSE	FALSE	FALSE	FALSE		FALSE	FALSE	FALSE	FALSE	FALSE	FALSE	FALSE	FALSE	FALSE	FALSE
		592	595	R0958		FALSE	FALSE	FALSE	FALSE		FALSE	FALSE	FALSE	FALSE	FALSE	FALSE	FALSE	FALSE	FALSE	FALSE
		351	353	R1331		FALSE	FALSE	FALSE	FALSE		FALSE	FALSE	FALSE	FALSE	FALSE	FALSE	FALSE	FALSE	FALSE	FALSE
		566	569	R1413		FALSE	FALSE	FALSE	FALSE		FALSE	FALSE	FALSE	FALSE	FALSE	FALSE	FALSE	FALSE	FALSE	FALSE
		358	360	R1348		FALSE	FALSE	FALSE	FALSE		FALSE	FALSE	FALSE	FALSE	FALSE	FALSE	FALSE	FALSE	FALSE	FALSE
		577	580	R1421		FALSE	FALSE	FALSE	FALSE		FALSE	FALSE	FALSE	FALSE	FALSE	FALSE	FALSE	FALSE	FALSE	FALSE
		16	16	C0038	Info submitted to DHS.	TRUE	TRUE	FALSE	TRUE		TRUE	TRUE	TRUE	TRUE	TRUE	TRUE	TRUE	TRUE	TRUE	TRUE
		852	856	C1087		FALSE	FALSE	FALSE	FALSE		FALSE	FALSE	FALSE	FALSE	FALSE	FALSE	FALSE	FALSE	FALSE	FALSE
		184	184	R0772		FALSE	FALSE	FALSE	FALSE		FALSE	FALSE	FALSE	FALSE	FALSE	FALSE	FALSE	FALSE	FALSE	FALSE
		606	609	R1329		FALSE	FALSE	FALSE	FALSE		FALSE	FALSE	FALSE	FALSE	FALSE	FALSE	FALSE	FALSE	FALSE	FALSE
		11	11	C0020	Info submitted to DHS.	TRUE	TRUE	FALSE	TRUE		TRUE	TRUE	TRUE	TRUE	TRUE	TRUE	TRUE	TRUE	TRUE	TRUE
		535	538	R0879	Info submitted to DHS.	FALSE	FALSE	FALSE	FALSE		FALSE	FALSE	FALSE	FALSE	FALSE	FALSE	FALSE	FALSE	FALSE	FALSE
		235	235	R0662		FALSE	FALSE	FALSE	FALSE		FALSE	FALSE	FALSE	FALSE	FALSE	FALSE	FALSE	FALSE	FALSE	FALSE
		45	45	C0098	Info submitted to DHS.	TRUE	TRUE	FALSE	TRUE		TRUE	TRUE	TRUE	TRUE	TRUE	TRUE	TRUE	TRUE	TRUE	TRUE
		552	555	R1422		FALSE	FALSE	FALSE	FALSE		FALSE	FALSE	FALSE	FALSE	FALSE	FALSE	FALSE	FALSE	FALSE	FALSE
		70	70	C0234	Info submitted to DHS.	TRUE	TRUE	FALSE	TRUE		TRUE	TRUE	TRUE	TRUE	TRUE	TRUE	TRUE	TRUE	TRUE	TRUE
		555	558	R1433		FALSE	FALSE	FALSE	FALSE		FALSE	FALSE	FALSE	FALSE	FALSE	FALSE	FALSE	FALSE	FALSE	FALSE
		870	874	R1200		FALSE	FALSE	FALSE	FALSE		FALSE	FALSE	FALSE	FALSE	FALSE	FALSE	FALSE	FALSE	FALSE	FALSE
		42	42	C0088	Info submitted to DHS.	TRUE	TRUE	FALSE	TRUE		TRUE	TRUE	TRUE	TRUE	TRUE	TRUE	TRUE	TRUE	TRUE	TRUE
		615	618	R1277		FALSE	FALSE	FALSE	FALSE		FALSE	FALSE	FALSE	FALSE	FALSE	FALSE	FALSE	FALSE	FALSE	FALSE
		14	14	C0034	Info submitted to DHS.	TRUE	FALSE	FALSE	FALSE		FALSE	FALSE	FALSE	FALSE	FALSE	FALSE	FALSE	FALSE	FALSE	FALSE
		546	549	R0959		FALSE	FALSE	FALSE	FALSE		FALSE	FALSE	FALSE	FALSE	FALSE	FALSE	FALSE	FALSE	FALSE	FALSE
		236	236	R0663		FALSE	FALSE	FALSE	FALSE		FALSE	FALSE	FALSE	FALSE	FALSE	FALSE	FALSE	FALSE	FALSE	FALSE
		181	181	R0661		FALSE	FALSE	FALSE	FALSE		FALSE	FALSE	FALSE	FALSE	FALSE	FALSE	FALSE	FALSE	FALSE	FALSE
		752	755	R0755		FALSE	FALSE	FALSE	FALSE		FALSE	FALSE	FALSE	FALSE	FALSE	FALSE	FALSE	FALSE	FALSE	FALSE
		39	39	C0081	Info submitted to DHS.	TRUE	FALSE	FALSE	FALSE		FALSE	FALSE	FALSE	FALSE	FALSE	FALSE	FALSE	FALSE	FALSE	FALSE
		51	51	C0106	Info submitted to DHS.	TRUE	TRUE	FALSE	TRUE		TRUE	TRUE	TRUE	TRUE	TRUE	TRUE	TRUE	TRUE	TRUE	TRUE
		55	55	C0110	Info submitted to DHS.	TRUE	TRUE	FALSE	TRUE		TRUE	TRUE	TRUE	TRUE	TRUE	TRUE	TRUE	TRUE	TRUE	TRUE
		814	817	R1414		FALSE	FALSE	FALSE	FALSE		FALSE	FALSE	FALSE	FALSE	FALSE	FALSE	FALSE	FALSE	FALSE	FALSE
		36	36	C0070	Info submitted to DHS.	TRUE	TRUE	FALSE	TRUE		TRUE	TRUE	TRUE	TRUE	TRUE	TRUE	TRUE	TRUE	TRUE	TRUE
		37	37	C0073	Info submitted to DHS.	TRUE	TRUE	FALSE	TRUE		TRUE	TRUE	TRUE	TRUE	TRUE	TRUE	TRUE	TRUE	TRUE	TRUE
		50	50	C0105	Info submitted to DHS.	TRUE	TRUE	FALSE	TRUE		TRUE	TRUE	TRUE	TRUE	TRUE	TRUE	TRUE	TRUE	TRUE	TRUE
		78	78	C0253	Info submitted to DHS.	TRUE	TRUE	FALSE	TRUE		TRUE	TRUE	TRUE	TRUE	TRUE	TRUE	TRUE	TRUE	TRUE	TRUE
		194	194	R0721		FALSE	FALSE	FALSE	FALSE		FALSE	FALSE	FALSE	FALSE	FALSE	FALSE	FALSE	FALSE	FALSE	FALSE
		547	550	R0960		FALSE	FALSE	FALSE	FALSE		FALSE	FALSE	FALSE	FALSE	FALSE	FALSE	FALSE	FALSE	FALSE	FALSE
		147	147	R0414	Info submitted to DHS.	FALSE	FALSE	FALSE	FALSE		FALSE	FALSE	FALSE	FALSE	FALSE	FALSE	FALSE	FALSE	FALSE	FALSE
		851	855	C1086		FALSE	FALSE	FALSE	FALSE		FALSE	FALSE	FALSE	FALSE	FALSE	FALSE	FALSE	FALSE	FALSE	FALSE
		67	67	C0228	Info submitted to DHS.	TRUE	TRUE	TRUE	TRUE		TRUE	TRUE	TRUE	TRUE	TRUE	TRUE	TRUE	TRUE	TRUE	TRUE
		3	3	C0008	Info submitted to DHS.	TRUE	TRUE	FALSE	TRUE		TRUE	TRUE	TRUE	TRUE	TRUE	TRUE	TRUE	TRUE	TRUE	TRUE
		597	600	R1434		FALSE	FALSE	FALSE	FALSE		FALSE	FALSE	FALSE	FALSE	FALSE	FALSE	FALSE	FALSE	FALSE	FALSE
		581	584	R1412		FALSE	FALSE	FALSE	FALSE		FALSE	FALSE	FALSE	FALSE	FALSE	FALSE	FALSE	FALSE	FALSE	FALSE
		880	884	R1415		FALSE	FALSE	FALSE	FALSE		FALSE	FALSE	FALSE	FALSE	FALSE	FALSE	FALSE	FALSE	FALSE	FALSE
		186	186	R0678		FALSE	FALSE	FALSE	FALSE		FALSE	FALSE	FALSE	FALSE	FALSE	FALSE	FALSE	FALSE	FALSE	FALSE
		6	6	C0013	Info submitted to DHS.	TRUE	TRUE	FALSE	TRUE		TRUE	TRUE	TRUE	TRUE	TRUE	TRUE	TRUE	TRUE	TRUE	TRUE
		253	254	R1005	Info submitted to DHS.	TRUE	TRUE	FALSE	TRUE		TRUE	TRUE	TRUE	TRUE	TRUE	TRUE	TRUE	TRUE	TRUE	TRUE
		677	680	R2061		FALSE	FALSE	FALSE	FALSE		FALSE	FALSE	FALSE	FALSE	FALSE	FALSE	FALSE	FALSE	FALSE	FALSE
		866	870	C0413		FALSE	FALSE	FALSE	FALSE		FALSE	FALSE	FALSE	FALSE	FALSE	FALSE	FALSE	FALSE	FALSE	FALSE
		861	865	C1096		FALSE	FALSE	FALSE	FALSE		FALSE	FALSE	FALSE	FALSE	FALSE	FALSE	FALSE	FALSE	FALSE	FALSE

Central Basin Municipal Water District - Existing Database (Final from S. Surbey 12/16/99)

User	User	Pro.	Pro. ID	NAME	SUBMIT_DHS	APPRVL_DHS	RETRO_COST	FINANCING	SLCTCNCTR	CONTRACTOR	PRE_DHSVST	X_CONNECT	BACKFLOW	MTR_INSTL	RETRO_DONE	SIGNS	TEST	FNL_DHSVST	USR_CONN	
		274	276	R1206		FALSE	FALSE	FALSE	FALSE		FALSE	FALSE	FALSE	FALSE	FALSE	FALSE	FALSE	FALSE	FALSE	FALSE
		766	769	R1362		FALSE	FALSE	FALSE	FALSE		FALSE	FALSE	FALSE	FALSE	FALSE	FALSE	FALSE	FALSE	FALSE	FALSE
		17	17	C0040	Info submitted to DHS.	TRUE	TRUE	FALSE	TRUE		TRUE	TRUE	TRUE	TRUE	TRUE	TRUE	TRUE	TRUE	TRUE	TRUE
		72	72	C0236	Info submitted to DHS.	TRUE	TRUE	TRUE	TRUE		TRUE	FALSE	FALSE	FALSE	FALSE	FALSE	FALSE	FALSE	FALSE	FALSE
		5	5	C0012	Info submitted to DHS.	TRUE	FALSE	FALSE	FALSE		TRUE	TRUE	TRUE	TRUE	FALSE	TRUE	TRUE	TRUE	TRUE	FALSE
		611	614	R1272		FALSE	FALSE	FALSE	FALSE		FALSE	FALSE	FALSE	FALSE	FALSE	FALSE	FALSE	FALSE	FALSE	FALSE
		738	741	R2122		FALSE	FALSE	FALSE	FALSE		FALSE	FALSE	FALSE	FALSE	FALSE	FALSE	FALSE	FALSE	FALSE	FALSE
		18	18	C0041	Info submitted to DHS.	TRUE	TRUE	TRUE	TRUE		TRUE	TRUE	TRUE	TRUE	TRUE	TRUE	TRUE	TRUE	TRUE	TRUE
		32	32	C0065	Info submitted to DHS.	TRUE	TRUE	FALSE	TRUE		TRUE	TRUE	TRUE	TRUE	TRUE	TRUE	TRUE	TRUE	TRUE	TRUE
		43	43	C0091	Info submitted to DHS.	TRUE	TRUE	FALSE	TRUE		TRUE	TRUE	TRUE	TRUE	TRUE	TRUE	TRUE	TRUE	TRUE	TRUE
		76	76	C0246	Info submitted to DHS.	TRUE	FALSE	FALSE	FALSE		FALSE	FALSE	FALSE	FALSE	FALSE	FALSE	FALSE	FALSE	FALSE	FALSE
		764	767	C0251	Info submitted to DHS.	TRUE	FALSE	FALSE	FALSE		FALSE	FALSE	FALSE	FALSE	FALSE	FALSE	FALSE	FALSE	FALSE	FALSE
		183	183	R0793		FALSE	FALSE	FALSE	FALSE		FALSE	FALSE	FALSE	FALSE	FALSE	FALSE	FALSE	FALSE	FALSE	FALSE
		269	271	R1201	Info submitted to DHS.	FALSE	FALSE	FALSE	FALSE		FALSE	FALSE	FALSE	FALSE	FALSE	FALSE	FALSE	FALSE	FALSE	FALSE
		291	293	R1227		FALSE	FALSE	FALSE	FALSE		FALSE	FALSE	FALSE	FALSE	FALSE	FALSE	FALSE	FALSE	FALSE	FALSE
		318	320	R1278		FALSE	FALSE	FALSE	FALSE		FALSE	FALSE	FALSE	FALSE	FALSE	FALSE	FALSE	FALSE	FALSE	FALSE
		565	568	R1432		FALSE	FALSE	FALSE	FALSE		FALSE	FALSE	FALSE	FALSE	FALSE	FALSE	FALSE	FALSE	FALSE	FALSE
		571	574	R1437		FALSE	FALSE	FALSE	FALSE		FALSE	FALSE	FALSE	FALSE	FALSE	FALSE	FALSE	FALSE	FALSE	FALSE
		31	31	C0064	Info submitted to DHS.	TRUE	TRUE	FALSE	TRUE		TRUE	TRUE	TRUE	TRUE	TRUE	TRUE	TRUE	TRUE	TRUE	TRUE
		56	56	C0111	Info submitted to DHS.	TRUE	TRUE	FALSE	TRUE		TRUE	TRUE	TRUE	TRUE	TRUE	TRUE	TRUE	TRUE	TRUE	TRUE
		860	864	C1095		FALSE	FALSE	FALSE	FALSE		FALSE	FALSE	FALSE	FALSE	FALSE	FALSE	FALSE	FALSE	FALSE	FALSE
		879	883	C0056	Info submitted to DHS.	TRUE	FALSE	FALSE	FALSE		FALSE	FALSE	FALSE	FALSE	FALSE	FALSE	FALSE	FALSE	FALSE	FALSE
		132	132	R0310	Info submitted to DHS.	TRUE	TRUE	FALSE	TRUE		TRUE	TRUE	TRUE	TRUE	TRUE	TRUE	TRUE	TRUE	TRUE	TRUE
		309	311	R1249		FALSE	FALSE	FALSE	FALSE		FALSE	FALSE	FALSE	FALSE	FALSE	FALSE	FALSE	FALSE	FALSE	FALSE
		765	768	R1376		FALSE	FALSE	FALSE	FALSE		FALSE	FALSE	FALSE	FALSE	FALSE	FALSE	FALSE	FALSE	FALSE	FALSE
		349	351	R1325		FALSE	FALSE	FALSE	FALSE		FALSE	FALSE	FALSE	FALSE	FALSE	FALSE	FALSE	FALSE	FALSE	FALSE
		23	23	C0051	Info submitted to DHS.	TRUE	TRUE	FALSE	TRUE		TRUE	TRUE	TRUE	TRUE	TRUE	TRUE	TRUE	TRUE	TRUE	FALSE
		180	180	R0650		FALSE	FALSE	FALSE	FALSE		FALSE	FALSE	FALSE	FALSE	FALSE	FALSE	FALSE	FALSE	FALSE	FALSE
		202	202	R0681		FALSE	FALSE	FALSE	FALSE		FALSE	FALSE	FALSE	FALSE	FALSE	FALSE	FALSE	FALSE	FALSE	FALSE
		332	334	R1299		FALSE	FALSE	FALSE	FALSE		FALSE	FALSE	FALSE	FALSE	FALSE	FALSE	FALSE	FALSE	FALSE	FALSE
		20	20	C0047	Info submitted to DHS.	TRUE	TRUE	TRUE	TRUE		TRUE	TRUE	TRUE	TRUE	TRUE	TRUE	TRUE	TRUE	TRUE	TRUE
		188	188	R0683		FALSE	FALSE	FALSE	FALSE		FALSE	FALSE	FALSE	FALSE	FALSE	FALSE	FALSE	FALSE	FALSE	FALSE
		244	244	R0970		FALSE	FALSE	FALSE	FALSE		FALSE	FALSE	FALSE	FALSE	FALSE	FALSE	FALSE	FALSE	FALSE	FALSE
		297	299	R1234		FALSE	FALSE	FALSE	FALSE		FALSE	FALSE	FALSE	FALSE	FALSE	FALSE	FALSE	FALSE	FALSE	FALSE
		789	792	R2220		FALSE	FALSE	FALSE	FALSE		FALSE	FALSE	FALSE	FALSE	FALSE	FALSE	FALSE	FALSE	FALSE	FALSE
		26	26	C0054	Info submitted to DHS.	TRUE	TRUE	TRUE	TRUE		TRUE	TRUE	TRUE	TRUE	TRUE	TRUE	TRUE	TRUE	TRUE	TRUE
		28	28	C0058	Info submitted to DHS.	TRUE	TRUE	TRUE	TRUE		TRUE	TRUE	TRUE	TRUE	TRUE	TRUE	TRUE	TRUE	TRUE	TRUE
		187	187	R0679		FALSE	FALSE	FALSE	FALSE		FALSE	FALSE	FALSE	FALSE	FALSE	FALSE	FALSE	FALSE	FALSE	FALSE
		10	10	C0019	Info submitted to DHS.	TRUE	FALSE	FALSE	FALSE		FALSE	TRUE	FALSE	FALSE	FALSE	FALSE	FALSE	FALSE	FALSE	FALSE
		15	15	C0035	Info submitted to DHS.	TRUE	TRUE	FALSE	TRUE		TRUE	TRUE	TRUE	TRUE	TRUE	TRUE	TRUE	TRUE	TRUE	TRUE
		52	52	C0107	Info submitted to DHS.	TRUE	FALSE	FALSE	FALSE		FALSE	FALSE	FALSE	FALSE	FALSE	FALSE	FALSE	FALSE	FALSE	FALSE
		921	921	C2019		FALSE	FALSE	FALSE	FALSE		FALSE	FALSE	FALSE	FALSE	FALSE	FALSE	FALSE	FALSE	FALSE	FALSE
		136	136	R0350	Info submitted to DHS.	FALSE	FALSE	FALSE	FALSE		FALSE	FALSE	FALSE	FALSE	FALSE	FALSE	FALSE	FALSE	FALSE	FALSE
		199	199	R0760		FALSE	FALSE	FALSE	FALSE		FALSE	FALSE	FALSE	FALSE	FALSE	FALSE	FALSE	FALSE	FALSE	FALSE
		532	535	R0824		FALSE	FALSE	FALSE	FALSE		FALSE	FALSE	FALSE	FALSE	FALSE	FALSE	FALSE	FALSE	FALSE	FALSE
		534	537	R0836		FALSE	FALSE	FALSE	FALSE		FALSE	FALSE	FALSE	FALSE	FALSE	FALSE	FALSE	FALSE	FALSE	FALSE
		298	300	R1235		FALSE	FALSE	FALSE	FALSE		FALSE	FALSE	FALSE	FALSE	FALSE	FALSE	FALSE	FALSE	FALSE	FALSE
		313	315	R1253		FALSE	FALSE	FALSE	FALSE		FALSE	FALSE	FALSE	FALSE	FALSE	FALSE	FALSE	FALSE	FALSE	FALSE
		768	771	R1377		FALSE	FALSE	FALSE	FALSE		FALSE	FALSE	FALSE	FALSE	FALSE	FALSE	FALSE	FALSE	FALSE	FALSE
		574	577	R1438		FALSE	FALSE	FALSE	FALSE		FALSE	FALSE	FALSE	FALSE	FALSE	FALSE	FALSE	FALSE	FALSE	FALSE
		875	879	R2248		FALSE	FALSE	FALSE	FALSE		FALSE	FALSE	FALSE	FALSE	FALSE	FALSE	FALSE	FALSE	FALSE	FALSE
		9	9	C0016	Info submitted to DHS.	TRUE	TRUE	FALSE	TRUE		TRUE	TRUE	TRUE	TRUE	TRUE	TRUE	TRUE	TRUE	TRUE	TRUE

Central Basin Municipal Water District - Existing Database (Final from S. Surbey 12/16/99)

User	User	Pro.	Pro. ID	NAME	SUBMIT_DHS	APPRVL_DHS	RETRO_COST	FINANCING	SLCTCNCTR	CONTRACTOR	PRE_DHSVST	X_CONNECT	BACKFLOW	MTR_INSTL	RETRO_DONE	SIGNS	TEST	FNL_DHSVST	USR_CONN
		63	63	C0205	Info submitted to DHS.	TRUE	TRUE	TRUE	TRUE		TRUE	TRUE	TRUE	TRUE	TRUE	TRUE	TRUE	TRUE	TRUE
		545	548	R0956		FALSE	FALSE	FALSE	FALSE		FALSE	FALSE	FALSE	FALSE	FALSE	FALSE	FALSE	FALSE	FALSE
		69	69	C0233	Info submitted to DHS.	TRUE	TRUE	FALSE	TRUE		TRUE	TRUE	TRUE	TRUE	TRUE	TRUE	TRUE	TRUE	TRUE
		726	729	R2110		FALSE	FALSE	FALSE	FALSE		FALSE	FALSE	FALSE	FALSE	FALSE	FALSE	FALSE	FALSE	FALSE
		610	613	R1271		FALSE	FALSE	FALSE	FALSE		FALSE	FALSE	FALSE	FALSE	FALSE	FALSE	FALSE	FALSE	FALSE
		74	74	C0238	Info submitted to DHS.	TRUE	FALSE	FALSE	FALSE		FALSE	FALSE	FALSE	FALSE	FALSE	FALSE	FALSE	FALSE	FALSE
		81	81	C0260	Info submitted to DHS.	TRUE	TRUE	FALSE	TRUE		TRUE	TRUE	TRUE	TRUE	TRUE	TRUE	TRUE	TRUE	TRUE
		100	100	C1007	Info submitted to DHS.	TRUE	TRUE	FALSE	TRUE		TRUE	TRUE	TRUE	TRUE	TRUE	TRUE	TRUE	TRUE	TRUE
		536	539	R0900	Info submitted to DHS.	FALSE	FALSE	FALSE	FALSE		FALSE	FALSE	FALSE	FALSE	FALSE	FALSE	FALSE	FALSE	FALSE
		242	242	R0967		FALSE	FALSE	FALSE	FALSE		FALSE	FALSE	FALSE	FALSE	FALSE	FALSE	FALSE	FALSE	FALSE
		578	581	R1429		FALSE	FALSE	FALSE	FALSE		FALSE	FALSE	FALSE	FALSE	FALSE	FALSE	FALSE	FALSE	FALSE
		68	68	C0232	Info submitted to DHS.	TRUE	TRUE	FALSE	TRUE		TRUE	TRUE	TRUE	TRUE	TRUE	TRUE	TRUE	TRUE	TRUE
		79	79	C0258	Info submitted to DHS.	TRUE	TRUE	FALSE	TRUE		TRUE	TRUE	TRUE	TRUE	TRUE	TRUE	TRUE	TRUE	TRUE
		30	30	C0060	Info submitted to DHS.	TRUE	FALSE	FALSE	FALSE		FALSE	FALSE	FALSE	FALSE	FALSE	FALSE	FALSE	FALSE	FALSE
		59	59	C0116	Info submitted to DHS.	TRUE	TRUE	FALSE	TRUE		TRUE	TRUE	TRUE	TRUE	TRUE	TRUE	TRUE	TRUE	TRUE
		855	859	C1090		FALSE	FALSE	FALSE	FALSE		FALSE	FALSE	FALSE	FALSE	FALSE	FALSE	FALSE	FALSE	FALSE
		241	241	R0467		FALSE	FALSE	FALSE	FALSE		FALSE	FALSE	FALSE	FALSE	FALSE	FALSE	FALSE	FALSE	FALSE
		757	760	R0801		FALSE	FALSE	FALSE	FALSE		FALSE	FALSE	FALSE	FALSE	FALSE	FALSE	FALSE	FALSE	FALSE
		596	599	R0883		FALSE	FALSE	FALSE	FALSE		FALSE	FALSE	FALSE	FALSE	FALSE	FALSE	FALSE	FALSE	FALSE
		304	306	R1243		FALSE	FALSE	FALSE	FALSE		FALSE	FALSE	FALSE	FALSE	FALSE	FALSE	FALSE	FALSE	FALSE
		346	348	R1321		FALSE	FALSE	FALSE	FALSE		FALSE	FALSE	FALSE	FALSE	FALSE	FALSE	FALSE	FALSE	FALSE
		745	748	R1372		FALSE	FALSE	FALSE	FALSE		FALSE	FALSE	FALSE	FALSE	FALSE	FALSE	FALSE	FALSE	FALSE
		762	765	R1374		FALSE	FALSE	FALSE	FALSE		FALSE	FALSE	FALSE	FALSE	FALSE	FALSE	FALSE	FALSE	FALSE
		669	672	R2053		FALSE	FALSE	FALSE	FALSE		FALSE	FALSE	FALSE	FALSE	FALSE	FALSE	FALSE	FALSE	FALSE
		29	29	C0059	Info submitted to DHS.	TRUE	TRUE	FALSE	TRUE		TRUE	TRUE	TRUE	TRUE	TRUE	TRUE	TRUE	TRUE	TRUE
		40	40	C0083	Info submitted to DHS.	TRUE	FALSE	FALSE	FALSE		FALSE	FALSE	FALSE	FALSE	FALSE	FALSE	FALSE	FALSE	FALSE
		65	65	C0220	Info submitted to DHS.	TRUE	TRUE	FALSE	TRUE		TRUE	TRUE	TRUE	TRUE	TRUE	TRUE	TRUE	TRUE	TRUE
		84	84	C0263	Info submitted to DHS.	TRUE	FALSE	FALSE	FALSE		FALSE	FALSE	FALSE	FALSE	FALSE	FALSE	FALSE	FALSE	FALSE
		127	127	R0265	Info submitted to DHS.	TRUE	TRUE	FALSE	TRUE		FALSE	FALSE	FALSE	FALSE	FALSE	FALSE	FALSE	FALSE	TRUE
		537	540	R0905		FALSE	FALSE	FALSE	FALSE		FALSE	FALSE	FALSE	FALSE	FALSE	FALSE	FALSE	FALSE	FALSE
		245	245	R0972	Info submitted to DHS.	FALSE	FALSE	FALSE	FALSE		FALSE	FALSE	FALSE	FALSE	FALSE	FALSE	FALSE	FALSE	FALSE
		306	308	R1245		FALSE	FALSE	FALSE	FALSE		FALSE	FALSE	FALSE	FALSE	FALSE	FALSE	FALSE	FALSE	FALSE
		563	566	R1419		FALSE	FALSE	FALSE	FALSE		FALSE	FALSE	FALSE	FALSE	FALSE	FALSE	FALSE	FALSE	FALSE
		13	13	C0025	Info submitted to DHS.	TRUE	TRUE	FALSE	TRUE		TRUE	TRUE	TRUE	TRUE	TRUE	TRUE	TRUE	TRUE	TRUE
		339	341	R1309		FALSE	FALSE	FALSE	FALSE		FALSE	FALSE	FALSE	FALSE	FALSE	FALSE	FALSE	FALSE	FALSE
		651	654	R2035		FALSE	FALSE	FALSE	FALSE		FALSE	FALSE	FALSE	FALSE	FALSE	FALSE	FALSE	FALSE	FALSE
		709	712	R2093		FALSE	FALSE	FALSE	FALSE		FALSE	FALSE	FALSE	FALSE	FALSE	FALSE	FALSE	FALSE	FALSE
		612	615	R1270		FALSE	FALSE	FALSE	FALSE		FALSE	FALSE	FALSE	FALSE	FALSE	FALSE	FALSE	FALSE	FALSE
		570	573	R1427		FALSE	FALSE	FALSE	FALSE		FALSE	FALSE	FALSE	FALSE	FALSE	FALSE	FALSE	FALSE	FALSE
		21	21	C0049	Info submitted to DHS.	TRUE	TRUE	FALSE	TRUE		TRUE	TRUE	TRUE	TRUE	TRUE	TRUE	TRUE	TRUE	TRUE
		33	33	C0066	Info submitted to DHS.	TRUE	TRUE	FALSE	TRUE		TRUE	TRUE	TRUE	TRUE	TRUE	TRUE	TRUE	TRUE	TRUE
		46	46	C0100	Info submitted to DHS.	TRUE	TRUE	TRUE	TRUE		TRUE	TRUE	TRUE	TRUE	TRUE	TRUE	TRUE	TRUE	TRUE
		769	772	C0255	Info submitted to DHS.	TRUE	FALSE	FALSE	FALSE		FALSE	FALSE	FALSE	FALSE	FALSE	FALSE	FALSE	FALSE	FALSE
		80	80	C0259	Info submitted to DHS.	TRUE	FALSE	FALSE	FALSE		FALSE	FALSE	FALSE	FALSE	FALSE	FALSE	FALSE	FALSE	FALSE
		82	82	C0261	Info submitted to DHS.	TRUE	TRUE	FALSE	TRUE		TRUE	TRUE	TRUE	TRUE	TRUE	TRUE	TRUE	TRUE	TRUE
		869	873	C0518		FALSE	FALSE	FALSE	FALSE		FALSE	FALSE	FALSE	FALSE	FALSE	FALSE	FALSE	FALSE	FALSE
		831	834	C2000	Info submitted to DHS.	TRUE	TRUE	FALSE	TRUE		TRUE	TRUE	TRUE	TRUE	TRUE	TRUE	TRUE	TRUE	TRUE
		916	920	C2016		FALSE	FALSE	FALSE	FALSE		FALSE	FALSE	FALSE	FALSE	FALSE	FALSE	FALSE	FALSE	FALSE
		560	563	R0601		FALSE	FALSE	FALSE	FALSE		FALSE	FALSE	FALSE	FALSE	FALSE	FALSE	FALSE	FALSE	FALSE
		755	758	R0638		FALSE	FALSE	FALSE	FALSE		FALSE	FALSE	FALSE	FALSE	FALSE	FALSE	FALSE	FALSE	FALSE
		232	232	R0675		FALSE	FALSE	FALSE	FALSE		FALSE	FALSE	FALSE	FALSE	FALSE	FALSE	FALSE	FALSE	FALSE
		214	214	R0714		FALSE	FALSE	FALSE	FALSE		FALSE	FALSE	FALSE	FALSE	FALSE	FALSE	FALSE	FALSE	FALSE

Central Basin Municipal Water District - Existing Database (Final from S. Surbey 12/16/99)

User	User																
Pro.	Pro.	ID NAME	SUBMIT_DHS	APPRVL_DHS	RETRO_COST	FINANCING	SLCTCNCTR	CONTRACTOR	PRE_DHSVST	X_CONNECT	BACKFLOW	MTR_INSTL	RETRO_DONE	SIGNS	TEST	FNL_DHSVST	USR_CONN
185	185	R0775		FALSE	FALSE	FALSE	FALSE		FALSE	FALSE	FALSE	FALSE	FALSE	FALSE	FALSE	FALSE	FALSE
210	210	R0817		FALSE	FALSE	FALSE	FALSE		FALSE	FALSE	FALSE	FALSE	FALSE	FALSE	FALSE	FALSE	FALSE
533	536	R0835		FALSE	FALSE	FALSE	FALSE		FALSE	FALSE	FALSE	FALSE	FALSE	FALSE	FALSE	FALSE	FALSE
229	229	R0945		FALSE	FALSE	FALSE	FALSE		FALSE	FALSE	FALSE	FALSE	FALSE	FALSE	FALSE	FALSE	FALSE
230	230	R0946		FALSE	FALSE	FALSE	FALSE		FALSE	FALSE	FALSE	FALSE	FALSE	FALSE	FALSE	FALSE	FALSE
234	234	R0951		FALSE	FALSE	FALSE	FALSE		FALSE	FALSE	FALSE	FALSE	FALSE	FALSE	FALSE	FALSE	FALSE
541	544	R0954		FALSE	FALSE	FALSE	FALSE		FALSE	FALSE	FALSE	FALSE	FALSE	FALSE	FALSE	FALSE	FALSE
548	551	R0963		FALSE	FALSE	FALSE	FALSE		FALSE	FALSE	FALSE	FALSE	FALSE	FALSE	FALSE	FALSE	FALSE
850	854	R1209		FALSE	FALSE	FALSE	FALSE		FALSE	FALSE	FALSE	FALSE	FALSE	FALSE	FALSE	FALSE	FALSE
319	321	R1279		FALSE	FALSE	FALSE	FALSE		FALSE	FALSE	FALSE	FALSE	FALSE	FALSE	FALSE	FALSE	FALSE
744	747	R1370		FALSE	FALSE	FALSE	FALSE		FALSE	FALSE	FALSE	FALSE	FALSE	FALSE	FALSE	FALSE	FALSE
732	735	R2116		FALSE	FALSE	FALSE	FALSE		FALSE	FALSE	FALSE	FALSE	FALSE	FALSE	FALSE	FALSE	FALSE
66	66	C0227	Info submitted to DHS.	TRUE	TRUE	TRUE	TRUE		TRUE	TRUE	TRUE	TRUE	TRUE	TRUE	TRUE	TRUE	TRUE
856	860	C1091		FALSE	FALSE	FALSE	FALSE		FALSE	FALSE	FALSE	FALSE	FALSE	FALSE	FALSE	FALSE	FALSE
220	220	R0677		FALSE	FALSE	FALSE	FALSE		FALSE	FALSE	FALSE	FALSE	FALSE	FALSE	FALSE	FALSE	FALSE
333	335	R1300		FALSE	FALSE	FALSE	FALSE		FALSE	FALSE	FALSE	FALSE	FALSE	FALSE	FALSE	FALSE	FALSE
564	567	R1431		FALSE	FALSE	FALSE	FALSE		FALSE	FALSE	FALSE	FALSE	FALSE	FALSE	FALSE	FALSE	FALSE
8	8	C0015	Info submitted to DHS.	TRUE	TRUE	FALSE	TRUE		TRUE	TRUE	TRUE	TRUE	TRUE	TRUE	TRUE	TRUE	TRUE
25	25	C0053	Info submitted to DHS.	TRUE	TRUE	FALSE	TRUE		TRUE	TRUE	TRUE	TRUE	TRUE	TRUE	TRUE	TRUE	TRUE
146	146	R0413		FALSE	FALSE	FALSE	FALSE		FALSE	FALSE	FALSE	FALSE	FALSE	FALSE	FALSE	FALSE	FALSE
189	189	R0700		FALSE	FALSE	FALSE	FALSE		FALSE	FALSE	FALSE	FALSE	FALSE	FALSE	FALSE	FALSE	FALSE
582	585	R1417		FALSE	FALSE	FALSE	FALSE		FALSE	FALSE	FALSE	FALSE	FALSE	FALSE	FALSE	FALSE	FALSE
580	583	R1430		FALSE	FALSE	FALSE	FALSE		FALSE	FALSE	FALSE	FALSE	FALSE	FALSE	FALSE	FALSE	FALSE
772	775	R2201		FALSE	FALSE	FALSE	FALSE		FALSE	FALSE	FALSE	FALSE	FALSE	FALSE	FALSE	FALSE	FALSE
57	57	C0112	Info submitted to DHS.	TRUE	FALSE	FALSE	FALSE		FALSE	FALSE	FALSE	FALSE	FALSE	FALSE	FALSE	FALSE	FALSE
71	71	C0235	Info submitted to DHS.	TRUE	TRUE	TRUE	TRUE		TRUE	TRUE	TRUE	TRUE	TRUE	TRUE	TRUE	TRUE	TRUE
853	857	C1088		FALSE	FALSE	FALSE	FALSE		FALSE	FALSE	FALSE	FALSE	FALSE	FALSE	FALSE	FALSE	FALSE
134	134	R0330		FALSE	FALSE	FALSE	FALSE		FALSE	FALSE	FALSE	FALSE	FALSE	FALSE	FALSE	FALSE	FALSE
754	757	R0676		FALSE	FALSE	FALSE	FALSE		FALSE	FALSE	FALSE	FALSE	FALSE	FALSE	FALSE	FALSE	FALSE
24	24	C0052	Info submitted to DHS.	TRUE	TRUE	FALSE	TRUE		TRUE	TRUE	TRUE	TRUE	TRUE	TRUE	TRUE	TRUE	TRUE
41	41	C0087	Info submitted to DHS.	TRUE	TRUE	FALSE	TRUE		TRUE	TRUE	TRUE	TRUE	TRUE	TRUE	TRUE	TRUE	TRUE
888	892	C2007		FALSE	FALSE	FALSE	FALSE		FALSE	FALSE	FALSE	FALSE	FALSE	FALSE	FALSE	FALSE	FALSE
892	896	C2011		FALSE	FALSE	FALSE	FALSE		FALSE	FALSE	FALSE	FALSE	FALSE	FALSE	FALSE	FALSE	FALSE
138	138	R0370		TRUE	TRUE	TRUE	TRUE		TRUE	TRUE	TRUE	TRUE	TRUE	TRUE	TRUE	TRUE	TRUE
272	274	R1204		FALSE	FALSE	FALSE	FALSE		FALSE	FALSE	FALSE	FALSE	FALSE	FALSE	FALSE	FALSE	FALSE
594	597	R1439		FALSE	FALSE	FALSE	FALSE		FALSE	FALSE	FALSE	FALSE	FALSE	FALSE	FALSE	FALSE	FALSE
631	634	R2015		FALSE	FALSE	FALSE	FALSE		FALSE	FALSE	FALSE	FALSE	FALSE	FALSE	FALSE	FALSE	FALSE
633	636	R2017		FALSE	FALSE	FALSE	FALSE		FALSE	FALSE	FALSE	FALSE	FALSE	FALSE	FALSE	FALSE	FALSE
54	54	C0109		FALSE	FALSE	FALSE	FALSE		FALSE	FALSE	FALSE	FALSE	FALSE	FALSE	FALSE	FALSE	FALSE
64	64	C0206	Info submitted to DHS.	TRUE	TRUE	TRUE	TRUE		TRUE	TRUE	TRUE	TRUE	TRUE	TRUE	TRUE	TRUE	TRUE
99	99	C1006	Info submitted to DHS.	TRUE	TRUE	FALSE	TRUE		TRUE	TRUE	TRUE	TRUE	TRUE	TRUE	TRUE	TRUE	TRUE
103	103	C1077		FALSE	FALSE	FALSE	FALSE		FALSE	FALSE	FALSE	FALSE	FALSE	FALSE	FALSE	FALSE	FALSE
857	861	C1092		FALSE	FALSE	FALSE	FALSE		FALSE	FALSE	FALSE	FALSE	FALSE	FALSE	FALSE	FALSE	FALSE
858	862	C1093		FALSE	FALSE	FALSE	FALSE		FALSE	FALSE	FALSE	FALSE	FALSE	FALSE	FALSE	FALSE	FALSE
201	201	R0770		FALSE	FALSE	FALSE	FALSE		FALSE	FALSE	FALSE	FALSE	FALSE	FALSE	FALSE	FALSE	FALSE
182	182	R0790		FALSE	FALSE	FALSE	FALSE		FALSE	FALSE	FALSE	FALSE	FALSE	FALSE	FALSE	FALSE	FALSE
211	211	R0821		FALSE	FALSE	FALSE	FALSE		FALSE	FALSE	FALSE	FALSE	FALSE	FALSE	FALSE	FALSE	FALSE
531	534	R0822		FALSE	FALSE	FALSE	FALSE		FALSE	FALSE	FALSE	FALSE	FALSE	FALSE	FALSE	FALSE	FALSE
543	546	R0947		FALSE	FALSE	FALSE	FALSE		FALSE	FALSE	FALSE	FALSE	FALSE	FALSE	FALSE	FALSE	FALSE
544	547	R0949	Info submitted to DHS.	TRUE	TRUE	FALSE	TRUE		TRUE	TRUE	TRUE	TRUE	TRUE	TRUE	TRUE	TRUE	TRUE
542	545	R0955		FALSE	FALSE	FALSE	FALSE		FALSE	FALSE	FALSE	FALSE	FALSE	FALSE	FALSE	FALSE	FALSE
549	552	R0965		FALSE	FALSE	FALSE	FALSE		FALSE	FALSE	FALSE	FALSE	FALSE	FALSE	FALSE	FALSE	FALSE

Central Basin Municipal Water District - Existing Database (Final from S. Surbey 12/16/99)

User	User	Pro.	Pro. ID	NAME	SUBMIT_DHS	APPRVL_DHS	RETRO_COST	FINANCING	SLCTCNCTR	CONTRACTOR	PRE_DHSVST	X_CONNECT	BACKFLOW	MTR_INSTL	RETRO_DONE	SIGNS	TEST	FNL_DHSVST	USR_CONN	
		243	243	R0969		FALSE	FALSE	FALSE	FALSE		FALSE	FALSE	FALSE	FALSE	FALSE	FALSE	FALSE	FALSE	FALSE	FALSE
		918	250	R1000	Info submitted to DHS.	TRUE	FALSE	FALSE	FALSE		FALSE	FALSE	FALSE	FALSE	FALSE	FALSE	FALSE	FALSE	FALSE	FALSE
		273	275	R1205		FALSE	FALSE	FALSE	FALSE		FALSE	FALSE	FALSE	FALSE	FALSE	FALSE	FALSE	FALSE	FALSE	FALSE
		278	280	R1213	Info submitted to DHS.	TRUE	TRUE	FALSE	TRUE		TRUE	TRUE	TRUE	TRUE	TRUE	TRUE	TRUE	TRUE	TRUE	TRUE
		338	340	R1307		FALSE	FALSE	FALSE	FALSE		FALSE	FALSE	FALSE	FALSE	FALSE	FALSE	FALSE	FALSE	FALSE	FALSE
		600	603	R1319		FALSE	FALSE	FALSE	FALSE		FALSE	FALSE	FALSE	FALSE	FALSE	FALSE	FALSE	FALSE	FALSE	FALSE
		763	766	R1375		FALSE	FALSE	FALSE	FALSE		FALSE	FALSE	FALSE	FALSE	FALSE	FALSE	FALSE	FALSE	FALSE	FALSE
		731	734	R2115		FALSE	FALSE	FALSE	FALSE		FALSE	FALSE	FALSE	FALSE	FALSE	FALSE	FALSE	FALSE	FALSE	FALSE
		27	27	C0057	Info submitted to DHS.	TRUE	TRUE	FALSE	TRUE		TRUE	TRUE	TRUE	TRUE	TRUE	TRUE	TRUE	TRUE	TRUE	TRUE
		53	53	C0108	Info submitted to DHS.	TRUE	TRUE	FALSE	TRUE		TRUE	TRUE	TRUE	TRUE	TRUE	TRUE	TRUE	TRUE	TRUE	TRUE
		62	62	C0204	Info submitted to DHS.	TRUE	TRUE	TRUE	TRUE		TRUE	TRUE	TRUE	TRUE	TRUE	TRUE	TRUE	TRUE	TRUE	TRUE
		868	872	C0520		FALSE	FALSE	FALSE	FALSE		FALSE	FALSE	FALSE	FALSE	FALSE	FALSE	FALSE	FALSE	FALSE	FALSE
		864	868	C1099		FALSE	FALSE	FALSE	FALSE		FALSE	FALSE	FALSE	FALSE	FALSE	FALSE	FALSE	FALSE	FALSE	FALSE
		114	114	R0150		FALSE	FALSE	FALSE	FALSE		FALSE	FALSE	FALSE	FALSE	FALSE	FALSE	FALSE	FALSE	FALSE	FALSE
		347	349	R1322		FALSE	FALSE	FALSE	FALSE		FALSE	FALSE	FALSE	FALSE	FALSE	FALSE	FALSE	FALSE	FALSE	FALSE
		593	596	R1423		FALSE	FALSE	FALSE	FALSE		FALSE	FALSE	FALSE	FALSE	FALSE	FALSE	FALSE	FALSE	FALSE	FALSE
		728	731	R2112		FALSE	FALSE	FALSE	FALSE		FALSE	FALSE	FALSE	FALSE	FALSE	FALSE	FALSE	FALSE	FALSE	FALSE
		730	733	R2114		FALSE	FALSE	FALSE	FALSE		FALSE	FALSE	FALSE	FALSE	FALSE	FALSE	FALSE	FALSE	FALSE	FALSE
		44	44	C0094	Info submitted to DHS.	TRUE	FALSE	FALSE	FALSE		FALSE	FALSE	FALSE	FALSE	FALSE	FALSE	FALSE	FALSE	FALSE	FALSE
		60	60	C0127	Info submitted to DHS.	TRUE	TRUE	TRUE	TRUE		TRUE	TRUE	TRUE	TRUE	TRUE	TRUE	TRUE	TRUE	TRUE	TRUE
		867	871	C0462		FALSE	FALSE	FALSE	FALSE		FALSE	FALSE	FALSE	FALSE	FALSE	FALSE	FALSE	FALSE	FALSE	FALSE
		271	273	R1203	Info submitted to DHS.	TRUE	TRUE	FALSE	TRUE		TRUE	TRUE	TRUE	TRUE	TRUE	TRUE	TRUE	TRUE	TRUE	TRUE
		334	336	R1301		FALSE	FALSE	FALSE	FALSE		FALSE	FALSE	FALSE	FALSE	FALSE	FALSE	FALSE	FALSE	FALSE	FALSE
		756	759	R1364		FALSE	FALSE	FALSE	FALSE		FALSE	FALSE	FALSE	FALSE	FALSE	FALSE	FALSE	FALSE	FALSE	FALSE
		584	587	R1416		FALSE	FALSE	FALSE	FALSE		FALSE	FALSE	FALSE	FALSE	FALSE	FALSE	FALSE	FALSE	FALSE	FALSE
		683	686	R2067		FALSE	FALSE	FALSE	FALSE		FALSE	FALSE	FALSE	FALSE	FALSE	FALSE	FALSE	FALSE	FALSE	FALSE
		4	4	C0009	Info submitted to DHS.	TRUE	FALSE	FALSE	FALSE		TRUE	TRUE	TRUE	TRUE	FALSE	TRUE	TRUE	TRUE	TRUE	FALSE
		22	22	C0050	Info submitted to DHS.	TRUE	TRUE	FALSE	TRUE		TRUE	TRUE	TRUE	TRUE	TRUE	TRUE	TRUE	TRUE	TRUE	TRUE
		73	73	C0237	Info submitted to DHS.	TRUE	TRUE	TRUE	TRUE		TRUE	TRUE	TRUE	TRUE	TRUE	TRUE	TRUE	TRUE	TRUE	TRUE
		101	101	C1008	Info submitted to DHS.	TRUE	TRUE	FALSE	TRUE		TRUE	TRUE	TRUE	TRUE	TRUE	TRUE	TRUE	TRUE	TRUE	TRUE
		104	104	C1078	Info submitted to DHS.	TRUE	TRUE	FALSE	TRUE		TRUE	TRUE	TRUE	TRUE	TRUE	TRUE	TRUE	TRUE	TRUE	TRUE
		106	106	C1080	Info submitted to DHS.	TRUE	TRUE	FALSE	TRUE		TRUE	TRUE	TRUE	TRUE	TRUE	TRUE	TRUE	TRUE	TRUE	TRUE
		854	858	C1089		FALSE	FALSE	FALSE	FALSE		FALSE	FALSE	FALSE	FALSE	FALSE	FALSE	FALSE	FALSE	FALSE	FALSE
		130	130	R0300		TRUE	TRUE	FALSE	TRUE		TRUE	TRUE	TRUE	TRUE	TRUE	TRUE	TRUE	TRUE	TRUE	TRUE
		329	331	R1296		FALSE	FALSE	FALSE	FALSE		FALSE	FALSE	FALSE	FALSE	FALSE	FALSE	FALSE	FALSE	FALSE	FALSE
		348	350	R1323		FALSE	FALSE	FALSE	FALSE		FALSE	FALSE	FALSE	FALSE	FALSE	FALSE	FALSE	FALSE	FALSE	FALSE
		742	745	R1353		FALSE	FALSE	FALSE	FALSE		FALSE	FALSE	FALSE	FALSE	FALSE	FALSE	FALSE	FALSE	FALSE	FALSE
		590	593	R1418		FALSE	FALSE	FALSE	FALSE		FALSE	FALSE	FALSE	FALSE	FALSE	FALSE	FALSE	FALSE	FALSE	FALSE
		575	578	R1428		FALSE	FALSE	FALSE	FALSE		FALSE	FALSE	FALSE	FALSE	FALSE	FALSE	FALSE	FALSE	FALSE	FALSE
		599	602	R1441		FALSE	FALSE	FALSE	FALSE		FALSE	FALSE	FALSE	FALSE	FALSE	FALSE	FALSE	FALSE	FALSE	FALSE
		586	589	R1442		FALSE	FALSE	FALSE	FALSE		FALSE	FALSE	FALSE	FALSE	FALSE	FALSE	FALSE	FALSE	FALSE	FALSE
		729	732	R2113		FALSE	FALSE	FALSE	FALSE		FALSE	FALSE	FALSE	FALSE	FALSE	FALSE	FALSE	FALSE	FALSE	FALSE
		773	776	R2202		FALSE	FALSE	FALSE	FALSE		FALSE	FALSE	FALSE	FALSE	FALSE	FALSE	FALSE	FALSE	FALSE	FALSE
		690	693	R2074		FALSE	FALSE	FALSE	FALSE		FALSE	FALSE	FALSE	FALSE	FALSE	FALSE	FALSE	FALSE	FALSE	FALSE
		862	866	C1097		FALSE	FALSE	FALSE	FALSE		FALSE	FALSE	FALSE	FALSE	FALSE	FALSE	FALSE	FALSE	FALSE	FALSE
		863	867	C1098		FALSE	FALSE	FALSE	FALSE		FALSE	FALSE	FALSE	FALSE	FALSE	FALSE	FALSE	FALSE	FALSE	FALSE
		163	163	R0570		FALSE	FALSE	FALSE	FALSE		FALSE	FALSE	FALSE	FALSE	FALSE	FALSE	FALSE	FALSE	FALSE	FALSE
		237	237	R0664		FALSE	FALSE	FALSE	FALSE		FALSE	FALSE	FALSE	FALSE	FALSE	FALSE	FALSE	FALSE	FALSE	FALSE
		193	193	R0720	Info submitted to DHS.	TRUE	FALSE	FALSE	FALSE		TRUE	TRUE	TRUE	TRUE	FALSE	TRUE	TRUE	TRUE	TRUE	FALSE
		714	717	R2098		FALSE	FALSE	FALSE	FALSE		FALSE	FALSE	FALSE	FALSE	FALSE	FALSE	FALSE	FALSE	FALSE	FALSE
		733	736	R2117		FALSE	FALSE	FALSE	FALSE		FALSE	FALSE	FALSE	FALSE	FALSE	FALSE	FALSE	FALSE	FALSE	FALSE
		623	626	R2007		FALSE	FALSE	FALSE	FALSE		FALSE	FALSE	FALSE	FALSE	FALSE	FALSE	FALSE	FALSE	FALSE	FALSE

Central Basin Municipal Water District - Existing Database (Final from S. Surbey 12/16/99)

User	User	Pro.	Pro. ID	NAME	SUBMIT_DHS	APPRVL_DHS	RETRO_COST	FINANCING	SLCTCNCTR	CONTRACTOR	PRE_DHSVST	X_CONNECT	BACKFLOW	MTR_INSTL	RETRO_DONE	SIGNS	TEST	FNL_DHSVST	USR_CONN	
		609	612	R1275		FALSE	FALSE	FALSE	FALSE		FALSE	FALSE	FALSE	FALSE	FALSE	FALSE	FALSE	FALSE	FALSE	FALSE
		0	0	C0043		TRUE	TRUE	TRUE	TRUE		TRUE	TRUE	TRUE	TRUE	TRUE	TRUE	TRUE	TRUE	TRUE	TRUE
		34	34	C0067	Info submitted to DHS.	TRUE	TRUE	FALSE	TRUE		TRUE	TRUE	TRUE	TRUE	TRUE	TRUE	TRUE	TRUE	TRUE	TRUE
		38	38	C0075	Info submitted to DHS.	TRUE	TRUE	FALSE	TRUE		TRUE	TRUE	TRUE	TRUE	TRUE	TRUE	TRUE	TRUE	TRUE	TRUE
		49	49	C0104	Info submitted to DHS.	TRUE	FALSE	FALSE	FALSE		FALSE	FALSE	FALSE	FALSE	FALSE	FALSE	FALSE	FALSE	FALSE	FALSE
		75	75	C0244	Info submitted to DHS.	TRUE	TRUE	TRUE	TRUE		TRUE	TRUE	TRUE	TRUE	TRUE	TRUE	TRUE	TRUE	TRUE	TRUE
		94	94	C1001	Info submitted to DHS.	TRUE	TRUE	FALSE	TRUE		TRUE	TRUE	TRUE	TRUE	TRUE	TRUE	TRUE	TRUE	TRUE	TRUE
		105	105	C1079	Info submitted to DHS.	TRUE	TRUE	FALSE	TRUE		TRUE	TRUE	TRUE	TRUE	TRUE	TRUE	TRUE	TRUE	TRUE	TRUE
		107	107	C1081	Info submitted to DHS.	TRUE	TRUE	FALSE	TRUE		TRUE	TRUE	TRUE	TRUE	TRUE	TRUE	TRUE	TRUE	TRUE	TRUE
		849	853	C1085		TRUE	TRUE	FALSE	TRUE		TRUE	TRUE	TRUE	TRUE	TRUE	TRUE	TRUE	TRUE	TRUE	TRUE
		859	863	C1094		FALSE	FALSE	FALSE	FALSE		FALSE	FALSE	FALSE	FALSE	FALSE	FALSE	FALSE	FALSE	FALSE	FALSE
		203	203	R0682		FALSE	FALSE	FALSE	FALSE		FALSE	FALSE	FALSE	FALSE	FALSE	FALSE	FALSE	FALSE	FALSE	FALSE
		321	323	R1282		FALSE	FALSE	FALSE	FALSE		FALSE	FALSE	FALSE	FALSE	FALSE	FALSE	FALSE	FALSE	FALSE	FALSE
		767	770	R1356		FALSE	FALSE	FALSE	FALSE		FALSE	FALSE	FALSE	FALSE	FALSE	FALSE	FALSE	FALSE	FALSE	FALSE
		588	591	R1440		FALSE	FALSE	FALSE	FALSE		FALSE	FALSE	FALSE	FALSE	FALSE	FALSE	FALSE	FALSE	FALSE	FALSE
		771	774	R2200		FALSE	FALSE	FALSE	FALSE		FALSE	FALSE	FALSE	FALSE	FALSE	FALSE	FALSE	FALSE	FALSE	FALSE
		724	727	R2108		FALSE	FALSE	FALSE	FALSE		FALSE	FALSE	FALSE	FALSE	FALSE	FALSE	FALSE	FALSE	FALSE	FALSE
		2	2	C0007	Info submitted to DHS.	TRUE	TRUE	FALSE	TRUE		TRUE	TRUE	TRUE	TRUE	TRUE	TRUE	TRUE	TRUE	TRUE	TRUE
		85	85	C0266	Info submitted to DHS.	TRUE	TRUE	FALSE	TRUE		TRUE	TRUE	TRUE	TRUE	TRUE	TRUE	TRUE	TRUE	TRUE	TRUE
		93	93	C1000	Info submitted to DHS.	TRUE	TRUE	FALSE	TRUE		TRUE	TRUE	TRUE	TRUE	TRUE	TRUE	TRUE	TRUE	TRUE	TRUE
		119	119	R0200		FALSE	FALSE	FALSE	FALSE		FALSE	FALSE	FALSE	FALSE	FALSE	FALSE	FALSE	FALSE	FALSE	FALSE
		133	133	R0320		FALSE	FALSE	FALSE	FALSE		FALSE	FALSE	FALSE	FALSE	FALSE	FALSE	FALSE	FALSE	FALSE	FALSE
		345	347	R1320		FALSE	FALSE	FALSE	FALSE		FALSE	FALSE	FALSE	FALSE	FALSE	FALSE	FALSE	FALSE	FALSE	FALSE
		685	688	R2069		FALSE	FALSE	FALSE	FALSE		FALSE	FALSE	FALSE	FALSE	FALSE	FALSE	FALSE	FALSE	FALSE	FALSE
		720	723	R2104		FALSE	FALSE	FALSE	FALSE		FALSE	FALSE	FALSE	FALSE	FALSE	FALSE	FALSE	FALSE	FALSE	FALSE
		740	743	R2124		FALSE	FALSE	FALSE	FALSE		FALSE	FALSE	FALSE	FALSE	FALSE	FALSE	FALSE	FALSE	FALSE	FALSE
		88	88	C0439	Info submitted to DHS.	TRUE	FALSE	FALSE	FALSE		FALSE	FALSE	FALSE	FALSE	FALSE	FALSE	FALSE	FALSE	FALSE	FALSE
		112	112	R0130		FALSE	FALSE	FALSE	FALSE		FALSE	FALSE	FALSE	FALSE	FALSE	FALSE	FALSE	FALSE	FALSE	FALSE
		256	257	R1052		FALSE	FALSE	FALSE	FALSE		FALSE	FALSE	FALSE	FALSE	FALSE	FALSE	FALSE	FALSE	FALSE	FALSE
		270	272	R1202		FALSE	FALSE	FALSE	FALSE		FALSE	FALSE	FALSE	FALSE	FALSE	FALSE	FALSE	FALSE	FALSE	FALSE
		310	312	R1250		FALSE	FALSE	FALSE	FALSE		FALSE	FALSE	FALSE	FALSE	FALSE	FALSE	FALSE	FALSE	FALSE	FALSE
		311	313	R1251		FALSE	FALSE	FALSE	FALSE		FALSE	FALSE	FALSE	FALSE	FALSE	FALSE	FALSE	FALSE	FALSE	FALSE
		770	773	R1357		FALSE	FALSE	FALSE	FALSE		FALSE	FALSE	FALSE	FALSE	FALSE	FALSE	FALSE	FALSE	FALSE	FALSE
		759	762	R1359		FALSE	FALSE	FALSE	FALSE		FALSE	FALSE	FALSE	FALSE	FALSE	FALSE	FALSE	FALSE	FALSE	FALSE
		608	611	R1274		FALSE	FALSE	FALSE	FALSE		FALSE	FALSE	FALSE	FALSE	FALSE	FALSE	FALSE	FALSE	FALSE	FALSE
		657	660	R2041		FALSE	FALSE	FALSE	FALSE		FALSE	FALSE	FALSE	FALSE	FALSE	FALSE	FALSE	FALSE	FALSE	FALSE
		674	677	R2058		FALSE	FALSE	FALSE	FALSE		FALSE	FALSE	FALSE	FALSE	FALSE	FALSE	FALSE	FALSE	FALSE	FALSE
		813	816	C0102	Info submitted to DHS.	TRUE	TRUE	TRUE	TRUE		TRUE	TRUE	TRUE	TRUE	TRUE	TRUE	TRUE	TRUE	TRUE	TRUE
		58	58	C0113	Info submitted to DHS.	TRUE	TRUE	FALSE	TRUE		TRUE	TRUE	TRUE	TRUE	TRUE	TRUE	TRUE	TRUE	TRUE	TRUE
		61	61	C0201	Info submitted to DHS.	TRUE	TRUE	FALSE	TRUE		TRUE	TRUE	TRUE	TRUE	TRUE	TRUE	TRUE	TRUE	TRUE	TRUE
		109	109	R0100		FALSE	FALSE	FALSE	FALSE		FALSE	FALSE	FALSE	FALSE	FALSE	FALSE	FALSE	FALSE	FALSE	FALSE
		111	111	R0120		FALSE	FALSE	FALSE	FALSE		FALSE	FALSE	FALSE	FALSE	FALSE	FALSE	FALSE	FALSE	FALSE	FALSE
		135	135	R0340		FALSE	FALSE	FALSE	FALSE		FALSE	FALSE	FALSE	FALSE	FALSE	FALSE	FALSE	FALSE	FALSE	FALSE
		159	159	R0521		TRUE	TRUE	TRUE	TRUE		TRUE	TRUE	TRUE	TRUE	TRUE	TRUE	TRUE	TRUE	TRUE	TRUE
		573	576	R1400		FALSE	FALSE	FALSE	FALSE		FALSE	FALSE	FALSE	FALSE	FALSE	FALSE	FALSE	FALSE	FALSE	FALSE
		712	715	R2096		FALSE	FALSE	FALSE	FALSE		FALSE	FALSE	FALSE	FALSE	FALSE	FALSE	FALSE	FALSE	FALSE	FALSE
		716	719	R2100		FALSE	FALSE	FALSE	FALSE		FALSE	FALSE	FALSE	FALSE	FALSE	FALSE	FALSE	FALSE	FALSE	FALSE
		632	635	R2016		FALSE	FALSE	FALSE	FALSE		FALSE	FALSE	FALSE	FALSE	FALSE	FALSE	FALSE	FALSE	FALSE	FALSE
		655	658	R2039		FALSE	FALSE	FALSE	FALSE		FALSE	FALSE	FALSE	FALSE	FALSE	FALSE	FALSE	FALSE	FALSE	FALSE
		1	1	C0006	Info submitted to DHS.	TRUE	TRUE	FALSE	TRUE		TRUE	TRUE	TRUE	TRUE	TRUE	TRUE	TRUE	TRUE	TRUE	TRUE
		108	108	C1082	Info submitted to DHS.	TRUE	TRUE	FALSE	TRUE		TRUE	TRUE	TRUE	TRUE	TRUE	TRUE	TRUE	TRUE	TRUE	TRUE
		110	110	R0110		FALSE	FALSE	FALSE	FALSE		FALSE	FALSE	FALSE	FALSE	FALSE	FALSE	FALSE	FALSE	FALSE	FALSE

Central Basin Municipal Water District - Existing Database (Final from S. Surbey 12/16/99)

User	User	Pro.	Pro. ID	NAME	SUBMIT_DHS	APPRVL_DHS	RETRO_COST	FINANCING	SLCTCNCTR	CONTRACTOR	PRE_DHSVST	X_CONNECT	BACKFLOW	MTR_INSTL	RETRO_DONE	SIGNS	TEST	FNL_DHSVST	USR_CONN	
		137	137	R0360	Info submitted to DHS.	FALSE	FALSE	FALSE	FALSE		FALSE	FALSE	FALSE	FALSE	FALSE	FALSE	FALSE	FALSE	FALSE	FALSE
		231	231	R0665		FALSE	FALSE	FALSE	FALSE		FALSE	FALSE	FALSE	FALSE	FALSE	FALSE	FALSE	FALSE	FALSE	FALSE
		206	206	R0800		FALSE	FALSE	FALSE	FALSE		FALSE	FALSE	FALSE	FALSE	FALSE	FALSE	FALSE	FALSE	FALSE	FALSE
		254	255	R1039		TRUE	TRUE	FALSE	TRUE		TRUE	TRUE	TRUE	TRUE	TRUE	TRUE	TRUE	TRUE	TRUE	TRUE
		315	317	R1269		FALSE	FALSE	FALSE	FALSE		FALSE	FALSE	FALSE	FALSE	FALSE	FALSE	FALSE	FALSE	FALSE	FALSE
		320	322	R1280		FALSE	FALSE	FALSE	FALSE		FALSE	FALSE	FALSE	FALSE	FALSE	FALSE	FALSE	FALSE	FALSE	FALSE
		337	339	R1306		FALSE	FALSE	FALSE	FALSE		FALSE	FALSE	FALSE	FALSE	FALSE	FALSE	FALSE	FALSE	FALSE	FALSE
		751	754	R1358		FALSE	FALSE	FALSE	FALSE		FALSE	FALSE	FALSE	FALSE	FALSE	FALSE	FALSE	FALSE	FALSE	FALSE
		761	764	R1363		FALSE	FALSE	FALSE	FALSE		FALSE	FALSE	FALSE	FALSE	FALSE	FALSE	FALSE	FALSE	FALSE	FALSE
		663	666	R2047		FALSE	FALSE	FALSE	FALSE		FALSE	FALSE	FALSE	FALSE	FALSE	FALSE	FALSE	FALSE	FALSE	FALSE
		680	683	R2064		FALSE	FALSE	FALSE	FALSE		FALSE	FALSE	FALSE	FALSE	FALSE	FALSE	FALSE	FALSE	FALSE	FALSE
		695	698	R2079		FALSE	FALSE	FALSE	FALSE		FALSE	FALSE	FALSE	FALSE	FALSE	FALSE	FALSE	FALSE	FALSE	FALSE
		719	722	R2103		FALSE	FALSE	FALSE	FALSE		FALSE	FALSE	FALSE	FALSE	FALSE	FALSE	FALSE	FALSE	FALSE	FALSE
		736	739	R2120		FALSE	FALSE	FALSE	FALSE		FALSE	FALSE	FALSE	FALSE	FALSE	FALSE	FALSE	FALSE	FALSE	FALSE
		617	620	R2001		FALSE	FALSE	FALSE	FALSE		FALSE	FALSE	FALSE	FALSE	FALSE	FALSE	FALSE	FALSE	FALSE	FALSE
		666	669	R2050		FALSE	FALSE	FALSE	FALSE		FALSE	FALSE	FALSE	FALSE	FALSE	FALSE	FALSE	FALSE	FALSE	FALSE
		650	653	R2034		FALSE	FALSE	FALSE	FALSE		FALSE	FALSE	FALSE	FALSE	FALSE	FALSE	FALSE	FALSE	FALSE	FALSE
		613	616	R1281		FALSE	FALSE	FALSE	FALSE		FALSE	FALSE	FALSE	FALSE	FALSE	FALSE	FALSE	FALSE	FALSE	FALSE
		614	617	R1294		FALSE	FALSE	FALSE	FALSE		FALSE	FALSE	FALSE	FALSE	FALSE	FALSE	FALSE	FALSE	FALSE	FALSE
		0	0	C0044		TRUE	TRUE	TRUE	TRUE		TRUE	TRUE	TRUE	TRUE	TRUE	TRUE	TRUE	TRUE	TRUE	TRUE
		902	906	C2015	Info submitted to DHS.	TRUE	TRUE	FALSE	TRUE		TRUE	TRUE	TRUE	TRUE	TRUE	FALSE	FALSE	FALSE	TRUE	TRUE
		113	113	R0140		FALSE	FALSE	FALSE	FALSE		FALSE	FALSE	FALSE	FALSE	FALSE	FALSE	FALSE	FALSE	FALSE	FALSE
		141	141	R0390		FALSE	FALSE	FALSE	FALSE		FALSE	FALSE	FALSE	FALSE	FALSE	FALSE	FALSE	FALSE	FALSE	FALSE
		162	162	R0525		FALSE	FALSE	FALSE	FALSE		FALSE	FALSE	FALSE	FALSE	FALSE	FALSE	FALSE	FALSE	FALSE	FALSE
		540	543	R0953		FALSE	FALSE	FALSE	FALSE		FALSE	FALSE	FALSE	FALSE	FALSE	FALSE	FALSE	FALSE	FALSE	FALSE
		246	246	R0974		FALSE	FALSE	FALSE	FALSE		FALSE	FALSE	FALSE	FALSE	FALSE	FALSE	FALSE	FALSE	FALSE	FALSE
		260	261	R1074		FALSE	FALSE	FALSE	FALSE		FALSE	FALSE	FALSE	FALSE	FALSE	FALSE	FALSE	FALSE	FALSE	FALSE
		276	278	R1208		FALSE	FALSE	FALSE	FALSE		FALSE	FALSE	FALSE	FALSE	FALSE	FALSE	FALSE	FALSE	FALSE	FALSE
		312	314	R1252		FALSE	FALSE	FALSE	FALSE		FALSE	FALSE	FALSE	FALSE	FALSE	FALSE	FALSE	FALSE	FALSE	FALSE
		314	316	R1254		FALSE	FALSE	FALSE	FALSE		FALSE	FALSE	FALSE	FALSE	FALSE	FALSE	FALSE	FALSE	FALSE	FALSE
		679	682	R2063		FALSE	FALSE	FALSE	FALSE		FALSE	FALSE	FALSE	FALSE	FALSE	FALSE	FALSE	FALSE	FALSE	FALSE
		681	684	R2065		FALSE	FALSE	FALSE	FALSE		FALSE	FALSE	FALSE	FALSE	FALSE	FALSE	FALSE	FALSE	FALSE	FALSE
		734	737	R2118		FALSE	FALSE	FALSE	FALSE		FALSE	FALSE	FALSE	FALSE	FALSE	FALSE	FALSE	FALSE	FALSE	FALSE
		739	742	R2123		FALSE	FALSE	FALSE	FALSE		FALSE	FALSE	FALSE	FALSE	FALSE	FALSE	FALSE	FALSE	FALSE	FALSE
		622	625	R2006		FALSE	FALSE	FALSE	FALSE		FALSE	FALSE	FALSE	FALSE	FALSE	FALSE	FALSE	FALSE	FALSE	FALSE
		620	623	R2004		FALSE	FALSE	FALSE	FALSE		FALSE	FALSE	FALSE	FALSE	FALSE	FALSE	FALSE	FALSE	FALSE	FALSE
		626	629	R2010		FALSE	FALSE	FALSE	FALSE		FALSE	FALSE	FALSE	FALSE	FALSE	FALSE	FALSE	FALSE	FALSE	FALSE
		735	738	R2119		FALSE	FALSE	FALSE	FALSE		FALSE	FALSE	FALSE	FALSE	FALSE	FALSE	FALSE	FALSE	FALSE	FALSE
		47	47	C0101	Info submitted to DHS.	TRUE	TRUE	FALSE	TRUE		TRUE	TRUE	TRUE	TRUE	TRUE	TRUE	TRUE	TRUE	TRUE	TRUE
		48	48	C0103	Info submitted to DHS.	TRUE	TRUE	FALSE	TRUE		TRUE	TRUE	TRUE	TRUE	TRUE	TRUE	TRUE	TRUE	TRUE	TRUE
		95	95	C1002	Info submitted to DHS.	TRUE	TRUE	FALSE	TRUE		TRUE	TRUE	TRUE	TRUE	TRUE	TRUE	TRUE	TRUE	TRUE	TRUE
		96	96	C1003	Info submitted to DHS.	TRUE	TRUE	FALSE	TRUE		TRUE	TRUE	TRUE	TRUE	TRUE	TRUE	TRUE	TRUE	TRUE	TRUE
		97	97	C1004	Info submitted to DHS.	TRUE	FALSE	FALSE	FALSE		TRUE	TRUE	TRUE	TRUE	FALSE	TRUE	TRUE	TRUE	TRUE	FALSE
		142	142	R0400		FALSE	FALSE	FALSE	FALSE		FALSE	FALSE	FALSE	FALSE	FALSE	FALSE	FALSE	FALSE	FALSE	FALSE
		233	233	R0950		FALSE	FALSE	FALSE	FALSE		FALSE	FALSE	FALSE	FALSE	FALSE	FALSE	FALSE	FALSE	FALSE	FALSE
		704	707	R2088		FALSE	FALSE	FALSE	FALSE		FALSE	FALSE	FALSE	FALSE	FALSE	FALSE	FALSE	FALSE	FALSE	FALSE
		717	720	R2101		FALSE	FALSE	FALSE	FALSE		FALSE	FALSE	FALSE	FALSE	FALSE	FALSE	FALSE	FALSE	FALSE	FALSE
		721	724	R2105		FALSE	FALSE	FALSE	FALSE		FALSE	FALSE	FALSE	FALSE	FALSE	FALSE	FALSE	FALSE	FALSE	FALSE
		618	621	R2002		FALSE	FALSE	FALSE	FALSE		FALSE	FALSE	FALSE	FALSE	FALSE	FALSE	FALSE	FALSE	FALSE	FALSE
		646	649	R2030		FALSE	FALSE	FALSE	FALSE		FALSE	FALSE	FALSE	FALSE	FALSE	FALSE	FALSE	FALSE	FALSE	FALSE
		723	726	R2107		FALSE	FALSE	FALSE	FALSE		FALSE	FALSE	FALSE	FALSE	FALSE	FALSE	FALSE	FALSE	FALSE	FALSE
		684	687	R2068		FALSE	FALSE	FALSE	FALSE		FALSE	FALSE	FALSE	FALSE	FALSE	FALSE	FALSE	FALSE	FALSE	FALSE

Central Basin Municipal Water District - Existing Database (Final from S. Surbey 12/16/99)

User	User																
Pro.	Pro. ID	NAME	SUBMIT_DHS	APPRVL_DHS	RETRO_COST	FINANCING	SLCTCNCTR	CONTRACTOR	PRE_DHSVST	X_CONNECT	BACKFLOW	MTR_INSTL	RETRO_DONE	SIGNS	TEST	FNL_DHSVST	USR_CONN
711	714	R2095		FALSE	FALSE	FALSE	FALSE		FALSE	FALSE	FALSE	FALSE	FALSE	FALSE	FALSE	FALSE	FALSE
741	744	R2125		FALSE	FALSE	FALSE	FALSE		FALSE	FALSE	FALSE	FALSE	FALSE	FALSE	FALSE	FALSE	FALSE
670	673	R2054		FALSE	FALSE	FALSE	FALSE		FALSE	FALSE	FALSE	FALSE	FALSE	FALSE	FALSE	FALSE	FALSE
691	694	R2075		FALSE	FALSE	FALSE	FALSE		FALSE	FALSE	FALSE	FALSE	FALSE	FALSE	FALSE	FALSE	FALSE
718	721	R2102		FALSE	FALSE	FALSE	FALSE		FALSE	FALSE	FALSE	FALSE	FALSE	FALSE	FALSE	FALSE	FALSE
692	695	R2076		FALSE	FALSE	FALSE	FALSE		FALSE	FALSE	FALSE	FALSE	FALSE	FALSE	FALSE	FALSE	FALSE
643	646	R2027		FALSE	FALSE	FALSE	FALSE		FALSE	FALSE	FALSE	FALSE	FALSE	FALSE	FALSE	FALSE	FALSE
12	12	C0022	Info submitted to DHS.	TRUE	FALSE	FALSE	FALSE		FALSE	TRUE	FALSE	FALSE	FALSE	FALSE	FALSE	FALSE	FALSE
865	869	C1100		FALSE	FALSE	FALSE	FALSE		FALSE	FALSE	FALSE	FALSE	FALSE	FALSE	FALSE	FALSE	FALSE
145	145	R0412		FALSE	FALSE	FALSE	FALSE		FALSE	FALSE	FALSE	FALSE	FALSE	FALSE	FALSE	FALSE	FALSE
261	262	R1080		FALSE	FALSE	FALSE	FALSE		FALSE	FALSE	FALSE	FALSE	FALSE	FALSE	FALSE	FALSE	FALSE
267	269	R1107		FALSE	FALSE	FALSE	FALSE		FALSE	FALSE	FALSE	FALSE	FALSE	FALSE	FALSE	FALSE	FALSE
750	753	R1360		FALSE	FALSE	FALSE	FALSE		FALSE	FALSE	FALSE	FALSE	FALSE	FALSE	FALSE	FALSE	FALSE
653	656	R2037		FALSE	FALSE	FALSE	FALSE		FALSE	FALSE	FALSE	FALSE	FALSE	FALSE	FALSE	FALSE	FALSE
700	703	R2084		FALSE	FALSE	FALSE	FALSE		FALSE	FALSE	FALSE	FALSE	FALSE	FALSE	FALSE	FALSE	FALSE
708	711	R2092		FALSE	FALSE	FALSE	FALSE		FALSE	FALSE	FALSE	FALSE	FALSE	FALSE	FALSE	FALSE	FALSE
658	661	R2042		FALSE	FALSE	FALSE	FALSE		FALSE	FALSE	FALSE	FALSE	FALSE	FALSE	FALSE	FALSE	FALSE
621	624	R2005		FALSE	FALSE	FALSE	FALSE		FALSE	FALSE	FALSE	FALSE	FALSE	FALSE	FALSE	FALSE	FALSE
656	659	R2040		FALSE	FALSE	FALSE	FALSE		FALSE	FALSE	FALSE	FALSE	FALSE	FALSE	FALSE	FALSE	FALSE
715	718	R2099		FALSE	FALSE	FALSE	FALSE		FALSE	FALSE	FALSE	FALSE	FALSE	FALSE	FALSE	FALSE	FALSE
629	632	R2013		FALSE	FALSE	FALSE	FALSE		FALSE	FALSE	FALSE	FALSE	FALSE	FALSE	FALSE	FALSE	FALSE
639	642	R2023		FALSE	FALSE	FALSE	FALSE		FALSE	FALSE	FALSE	FALSE	FALSE	FALSE	FALSE	FALSE	FALSE
722	725	R2106		FALSE	FALSE	FALSE	FALSE		FALSE	FALSE	FALSE	FALSE	FALSE	FALSE	FALSE	FALSE	FALSE
619	622	R2003		FALSE	FALSE	FALSE	FALSE		FALSE	FALSE	FALSE	FALSE	FALSE	FALSE	FALSE	FALSE	FALSE
642	645	R2026		FALSE	FALSE	FALSE	FALSE		FALSE	FALSE	FALSE	FALSE	FALSE	FALSE	FALSE	FALSE	FALSE
627	630	R2011		FALSE	FALSE	FALSE	FALSE		FALSE	FALSE	FALSE	FALSE	FALSE	FALSE	FALSE	FALSE	FALSE
641	644	R2025		FALSE	FALSE	FALSE	FALSE		FALSE	FALSE	FALSE	FALSE	FALSE	FALSE	FALSE	FALSE	FALSE
638	641	R2022		FALSE	FALSE	FALSE	FALSE		FALSE	FALSE	FALSE	FALSE	FALSE	FALSE	FALSE	FALSE	FALSE
671	674	R2055		FALSE	FALSE	FALSE	FALSE		FALSE	FALSE	FALSE	FALSE	FALSE	FALSE	FALSE	FALSE	FALSE
705	708	R2089		FALSE	FALSE	FALSE	FALSE		FALSE	FALSE	FALSE	FALSE	FALSE	FALSE	FALSE	FALSE	FALSE
636	639	R2020		FALSE	FALSE	FALSE	FALSE		FALSE	FALSE	FALSE	FALSE	FALSE	FALSE	FALSE	FALSE	FALSE
637	640	R2021		FALSE	FALSE	FALSE	FALSE		FALSE	FALSE	FALSE	FALSE	FALSE	FALSE	FALSE	FALSE	FALSE
640	643	R2024		FALSE	FALSE	FALSE	FALSE		FALSE	FALSE	FALSE	FALSE	FALSE	FALSE	FALSE	FALSE	FALSE
644	647	R2028		FALSE	FALSE	FALSE	FALSE		FALSE	FALSE	FALSE	FALSE	FALSE	FALSE	FALSE	FALSE	FALSE
654	657	R2038		FALSE	FALSE	FALSE	FALSE		FALSE	FALSE	FALSE	FALSE	FALSE	FALSE	FALSE	FALSE	FALSE
725	728	R2109		FALSE	FALSE	FALSE	FALSE		FALSE	FALSE	FALSE	FALSE	FALSE	FALSE	FALSE	FALSE	FALSE
625	628	R2009		FALSE	FALSE	FALSE	FALSE		FALSE	FALSE	FALSE	FALSE	FALSE	FALSE	FALSE	FALSE	FALSE
668	671	R2052		FALSE	FALSE	FALSE	FALSE		FALSE	FALSE	FALSE	FALSE	FALSE	FALSE	FALSE	FALSE	FALSE
673	676	R2057		FALSE	FALSE	FALSE	FALSE		FALSE	FALSE	FALSE	FALSE	FALSE	FALSE	FALSE	FALSE	FALSE
689	692	R2073		FALSE	FALSE	FALSE	FALSE		FALSE	FALSE	FALSE	FALSE	FALSE	FALSE	FALSE	FALSE	FALSE
616	619	R2000		FALSE	FALSE	FALSE	FALSE		FALSE	FALSE	FALSE	FALSE	FALSE	FALSE	FALSE	FALSE	FALSE
628	631	R2012		FALSE	FALSE	FALSE	FALSE		FALSE	FALSE	FALSE	FALSE	FALSE	FALSE	FALSE	FALSE	FALSE
645	648	R2029		FALSE	FALSE	FALSE	FALSE		FALSE	FALSE	FALSE	FALSE	FALSE	FALSE	FALSE	FALSE	FALSE
647	650	R2031		FALSE	FALSE	FALSE	FALSE		FALSE	FALSE	FALSE	FALSE	FALSE	FALSE	FALSE	FALSE	FALSE
7	7	C0014	Info submitted to DHS.	TRUE	TRUE	FALSE	TRUE		TRUE	TRUE	TRUE	TRUE	TRUE	TRUE	TRUE	TRUE	TRUE
115	115	R0160		FALSE	FALSE	FALSE	FALSE		FALSE	FALSE	FALSE	FALSE	FALSE	FALSE	FALSE	FALSE	FALSE
116	116	R0170		FALSE	FALSE	FALSE	FALSE		FALSE	FALSE	FALSE	FALSE	FALSE	FALSE	FALSE	FALSE	FALSE
117	117	R0180		FALSE	FALSE	FALSE	FALSE		FALSE	FALSE	FALSE	FALSE	FALSE	FALSE	FALSE	FALSE	FALSE
126	126	R0264		FALSE	FALSE	FALSE	FALSE		FALSE	FALSE	FALSE	FALSE	FALSE	FALSE	FALSE	FALSE	FALSE
144	144	R0410		FALSE	FALSE	FALSE	FALSE		FALSE	FALSE	FALSE	FALSE	FALSE	FALSE	FALSE	FALSE	FALSE
238	238	R0630		FALSE	FALSE	FALSE	FALSE		FALSE	FALSE	FALSE	FALSE	FALSE	FALSE	FALSE	FALSE	FALSE
247	247	R0976		FALSE	FALSE	FALSE	FALSE		FALSE	FALSE	FALSE	FALSE	FALSE	FALSE	FALSE	FALSE	FALSE

Central Basin Municipal Water District - Existing Database (Final from S. Surbey 12/16/99)

User	User																
Pro.	Pro. ID	NAME	SUBMIT_DHS	APPRVL_DHS	RETRO_COST	FINANCING	SLCTCNCTR	CONTRACTOR	PRE_DHSVST	X_CONNECT	BACKFLOW	MTR_INSTL	RETRO_DONE	SIGNS	TEST	FNL_DHSVST	USR_CONN
255	256	R1040		FALSE	FALSE	FALSE	FALSE		FALSE	FALSE	FALSE	FALSE	FALSE	FALSE	FALSE	FALSE	FALSE
258	259	R1065		FALSE	FALSE	FALSE	FALSE		FALSE	FALSE	FALSE	FALSE	FALSE	FALSE	FALSE	FALSE	FALSE
630	633	R2014		FALSE	FALSE	FALSE	FALSE		FALSE	FALSE	FALSE	FALSE	FALSE	FALSE	FALSE	FALSE	FALSE
661	664	R2045		FALSE	FALSE	FALSE	FALSE		FALSE	FALSE	FALSE	FALSE	FALSE	FALSE	FALSE	FALSE	FALSE
667	670	R2051		FALSE	FALSE	FALSE	FALSE		FALSE	FALSE	FALSE	FALSE	FALSE	FALSE	FALSE	FALSE	FALSE
682	685	R2066		FALSE	FALSE	FALSE	FALSE		FALSE	FALSE	FALSE	FALSE	FALSE	FALSE	FALSE	FALSE	FALSE
693	696	R2077		FALSE	FALSE	FALSE	FALSE		FALSE	FALSE	FALSE	FALSE	FALSE	FALSE	FALSE	FALSE	FALSE
703	706	R2087		FALSE	FALSE	FALSE	FALSE		FALSE	FALSE	FALSE	FALSE	FALSE	FALSE	FALSE	FALSE	FALSE
727	730	R2111		FALSE	FALSE	FALSE	FALSE		FALSE	FALSE	FALSE	FALSE	FALSE	FALSE	FALSE	FALSE	FALSE
0	0	C0096		TRUE	TRUE	TRUE	TRUE		TRUE	TRUE	TRUE	TRUE	TRUE	TRUE	TRUE	TRUE	TRUE
83	83	C0262	Info submitted to DHS.	TRUE	TRUE	FALSE	TRUE		TRUE	TRUE	TRUE	TRUE	TRUE	TRUE	TRUE	TRUE	TRUE
91	91	C0508	Info submitted to DHS.	TRUE	FALSE	FALSE	FALSE		FALSE	FALSE	FALSE	FALSE	FALSE	FALSE	FALSE	FALSE	FALSE
871	875	C1101		FALSE	FALSE	FALSE	FALSE		FALSE	FALSE	FALSE	FALSE	FALSE	FALSE	FALSE	FALSE	FALSE
872	876	C1102		FALSE	FALSE	FALSE	FALSE		FALSE	FALSE	FALSE	FALSE	FALSE	FALSE	FALSE	FALSE	FALSE
884	888	C2003		FALSE	FALSE	FALSE	FALSE		FALSE	FALSE	FALSE	FALSE	FALSE	FALSE	FALSE	FALSE	FALSE
885	889	C2004		FALSE	FALSE	FALSE	FALSE		FALSE	FALSE	FALSE	FALSE	FALSE	FALSE	FALSE	FALSE	FALSE
886	890	C2005		FALSE	FALSE	FALSE	FALSE		FALSE	FALSE	FALSE	FALSE	FALSE	FALSE	FALSE	FALSE	FALSE
887	891	C2006		FALSE	FALSE	FALSE	FALSE		FALSE	FALSE	FALSE	FALSE	FALSE	FALSE	FALSE	FALSE	FALSE
889	893	C2008		FALSE	FALSE	FALSE	FALSE		FALSE	FALSE	FALSE	FALSE	FALSE	FALSE	FALSE	FALSE	FALSE
890	894	C2009		FALSE	FALSE	FALSE	FALSE		FALSE	FALSE	FALSE	FALSE	FALSE	FALSE	FALSE	FALSE	FALSE
891	895	C2010		FALSE	FALSE	FALSE	FALSE		FALSE	FALSE	FALSE	FALSE	FALSE	FALSE	FALSE	FALSE	FALSE
893	897	C2012		FALSE	FALSE	FALSE	FALSE		FALSE	FALSE	FALSE	FALSE	FALSE	FALSE	FALSE	FALSE	FALSE
894	898	C2013		FALSE	FALSE	FALSE	FALSE		FALSE	FALSE	FALSE	FALSE	FALSE	FALSE	FALSE	FALSE	FALSE
895	899	C2014		FALSE	FALSE	FALSE	FALSE		FALSE	FALSE	FALSE	FALSE	FALSE	FALSE	FALSE	FALSE	FALSE
118	118	R0190		FALSE	FALSE	FALSE	FALSE		FALSE	FALSE	FALSE	FALSE	FALSE	FALSE	FALSE	FALSE	FALSE
125	125	R0263		FALSE	FALSE	FALSE	FALSE		FALSE	FALSE	FALSE	FALSE	FALSE	FALSE	FALSE	FALSE	FALSE
149	149	R0421		FALSE	FALSE	FALSE	FALSE		FALSE	FALSE	FALSE	FALSE	FALSE	FALSE	FALSE	FALSE	FALSE
152	152	R0429		FALSE	FALSE	FALSE	FALSE		FALSE	FALSE	FALSE	FALSE	FALSE	FALSE	FALSE	FALSE	FALSE
155	155	R0500	Info submitted to DHS.	FALSE	FALSE	FALSE	FALSE		FALSE	FALSE	FALSE	FALSE	FALSE	FALSE	FALSE	FALSE	FALSE
160	160	R0523		FALSE	FALSE	FALSE	FALSE		FALSE	FALSE	FALSE	FALSE	FALSE	FALSE	FALSE	FALSE	FALSE
161	161	R0524		FALSE	FALSE	FALSE	FALSE		FALSE	FALSE	FALSE	FALSE	FALSE	FALSE	FALSE	FALSE	FALSE
164	164	R0600		FALSE	FALSE	FALSE	FALSE		FALSE	FALSE	FALSE	FALSE	FALSE	FALSE	FALSE	FALSE	FALSE
257	258	R1061		FALSE	FALSE	FALSE	FALSE		FALSE	FALSE	FALSE	FALSE	FALSE	FALSE	FALSE	FALSE	FALSE
816	819	R1456		FALSE	FALSE	FALSE	FALSE		FALSE	FALSE	FALSE	FALSE	FALSE	FALSE	FALSE	FALSE	FALSE
634	637	R2018		FALSE	FALSE	FALSE	FALSE		FALSE	FALSE	FALSE	FALSE	FALSE	FALSE	FALSE	FALSE	FALSE
635	638	R2019		FALSE	FALSE	FALSE	FALSE		FALSE	FALSE	FALSE	FALSE	FALSE	FALSE	FALSE	FALSE	FALSE
648	651	R2032		FALSE	FALSE	FALSE	FALSE		FALSE	FALSE	FALSE	FALSE	FALSE	FALSE	FALSE	FALSE	FALSE
660	663	R2044		FALSE	FALSE	FALSE	FALSE		FALSE	FALSE	FALSE	FALSE	FALSE	FALSE	FALSE	FALSE	FALSE
662	665	R2046		FALSE	FALSE	FALSE	FALSE		FALSE	FALSE	FALSE	FALSE	FALSE	FALSE	FALSE	FALSE	FALSE
672	675	R2056		FALSE	FALSE	FALSE	FALSE		FALSE	FALSE	FALSE	FALSE	FALSE	FALSE	FALSE	FALSE	FALSE
699	702	R2083		FALSE	FALSE	FALSE	FALSE		FALSE	FALSE	FALSE	FALSE	FALSE	FALSE	FALSE	FALSE	FALSE
710	713	R2094		FALSE	FALSE	FALSE	FALSE		FALSE	FALSE	FALSE	FALSE	FALSE	FALSE	FALSE	FALSE	FALSE
713	716	R2097		FALSE	FALSE	FALSE	FALSE		FALSE	FALSE	FALSE	FALSE	FALSE	FALSE	FALSE	FALSE	FALSE
737	740	R2121		FALSE	FALSE	FALSE	FALSE		FALSE	FALSE	FALSE	FALSE	FALSE	FALSE	FALSE	FALSE	FALSE
774	777	R2203		FALSE	FALSE	FALSE	FALSE		FALSE	FALSE	FALSE	FALSE	FALSE	FALSE	FALSE	FALSE	FALSE
775	778	R2204		FALSE	FALSE	FALSE	FALSE		FALSE	FALSE	FALSE	FALSE	FALSE	FALSE	FALSE	FALSE	FALSE
776	779	R2205		FALSE	FALSE	FALSE	FALSE		FALSE	FALSE	FALSE	FALSE	FALSE	FALSE	FALSE	FALSE	FALSE
777	780	R2206		FALSE	FALSE	FALSE	FALSE		FALSE	FALSE	FALSE	FALSE	FALSE	FALSE	FALSE	FALSE	FALSE
778	781	R2207		FALSE	FALSE	FALSE	FALSE		FALSE	FALSE	FALSE	FALSE	FALSE	FALSE	FALSE	FALSE	FALSE
779	782	R2208		FALSE	FALSE	FALSE	FALSE		FALSE	FALSE	FALSE	FALSE	FALSE	FALSE	FALSE	FALSE	FALSE
780	783	R2209		FALSE	FALSE	FALSE	FALSE		FALSE	FALSE	FALSE	FALSE	FALSE	FALSE	FALSE	FALSE	FALSE
781	784	R2210		FALSE	FALSE	FALSE	FALSE		FALSE	FALSE	FALSE	FALSE	FALSE	FALSE	FALSE	FALSE	FALSE

Central Basin Municipal Water District - Existing Database (Final from S. Surbey 12/16/99)

User	User																
Pro.	Pro.	ID NAME	SUBMIT_DHS	APPRVL_DHS	RETRO_COST	FINANCING	SLCTCNCTR	CONTRACTOR	PRE_DHSVST	X_CONNECT	BACKFLOW	MTR_INSTL	RETRO_DONE	SIGNS	TEST	FNL_DHSVST	USR_CONN
782	785	R2212		FALSE	FALSE	FALSE	FALSE		FALSE	FALSE	FALSE	FALSE	FALSE	FALSE	FALSE	FALSE	FALSE
783	786	R2213		FALSE	FALSE	FALSE	FALSE		FALSE	FALSE	FALSE	FALSE	FALSE	FALSE	FALSE	FALSE	FALSE
784	787	R2214		FALSE	FALSE	FALSE	FALSE		FALSE	FALSE	FALSE	FALSE	FALSE	FALSE	FALSE	FALSE	FALSE
785	788	R2215		FALSE	FALSE	FALSE	FALSE		FALSE	FALSE	FALSE	FALSE	FALSE	FALSE	FALSE	FALSE	FALSE
786	789	R2216		FALSE	FALSE	FALSE	FALSE		FALSE	FALSE	FALSE	FALSE	FALSE	FALSE	FALSE	FALSE	FALSE
787	790	R2217		FALSE	FALSE	FALSE	FALSE		FALSE	FALSE	FALSE	FALSE	FALSE	FALSE	FALSE	FALSE	FALSE
788	791	R2218		FALSE	FALSE	FALSE	FALSE		FALSE	FALSE	FALSE	FALSE	FALSE	FALSE	FALSE	FALSE	FALSE
790	793	R2222		FALSE	FALSE	FALSE	FALSE		FALSE	FALSE	FALSE	FALSE	FALSE	FALSE	FALSE	FALSE	FALSE
791	794	R2223		FALSE	FALSE	FALSE	FALSE		FALSE	FALSE	FALSE	FALSE	FALSE	FALSE	FALSE	FALSE	FALSE
792	795	R2224		FALSE	FALSE	FALSE	FALSE		FALSE	FALSE	FALSE	FALSE	FALSE	FALSE	FALSE	FALSE	FALSE
793	796	R2225		FALSE	FALSE	FALSE	FALSE		FALSE	FALSE	FALSE	FALSE	FALSE	FALSE	FALSE	FALSE	FALSE
794	797	R2226		FALSE	FALSE	FALSE	FALSE		FALSE	FALSE	FALSE	FALSE	FALSE	FALSE	FALSE	FALSE	FALSE
795	798	R2227		FALSE	FALSE	FALSE	FALSE		FALSE	FALSE	FALSE	FALSE	FALSE	FALSE	FALSE	FALSE	FALSE
796	799	R2228		FALSE	FALSE	FALSE	FALSE		FALSE	FALSE	FALSE	FALSE	FALSE	FALSE	FALSE	FALSE	FALSE
817	820	R2232		FALSE	FALSE	FALSE	FALSE		FALSE	FALSE	FALSE	FALSE	FALSE	FALSE	FALSE	FALSE	FALSE
818	821	R2233		FALSE	FALSE	FALSE	FALSE		FALSE	FALSE	FALSE	FALSE	FALSE	FALSE	FALSE	FALSE	FALSE
819	822	R2234		FALSE	FALSE	FALSE	FALSE		FALSE	FALSE	FALSE	FALSE	FALSE	FALSE	FALSE	FALSE	FALSE
820	823	R2235		FALSE	FALSE	FALSE	FALSE		FALSE	FALSE	FALSE	FALSE	FALSE	FALSE	FALSE	FALSE	FALSE
821	824	R2236		FALSE	FALSE	FALSE	FALSE		FALSE	FALSE	FALSE	FALSE	FALSE	FALSE	FALSE	FALSE	FALSE
822	825	R2237		FALSE	FALSE	FALSE	FALSE		FALSE	FALSE	FALSE	FALSE	FALSE	FALSE	FALSE	FALSE	FALSE
823	826	R2239		FALSE	FALSE	FALSE	FALSE		FALSE	FALSE	FALSE	FALSE	FALSE	FALSE	FALSE	FALSE	FALSE
824	827	R2240		FALSE	FALSE	FALSE	FALSE		FALSE	FALSE	FALSE	FALSE	FALSE	FALSE	FALSE	FALSE	FALSE
825	828	R2241		FALSE	FALSE	FALSE	FALSE		FALSE	FALSE	FALSE	FALSE	FALSE	FALSE	FALSE	FALSE	FALSE
826	829	R2242		FALSE	FALSE	FALSE	FALSE		FALSE	FALSE	FALSE	FALSE	FALSE	FALSE	FALSE	FALSE	FALSE
827	830	R2243		FALSE	FALSE	FALSE	FALSE		FALSE	FALSE	FALSE	FALSE	FALSE	FALSE	FALSE	FALSE	FALSE
828	831	R2244		FALSE	FALSE	FALSE	FALSE		FALSE	FALSE	FALSE	FALSE	FALSE	FALSE	FALSE	FALSE	FALSE
829	832	R2245		FALSE	FALSE	FALSE	FALSE		FALSE	FALSE	FALSE	FALSE	FALSE	FALSE	FALSE	FALSE	FALSE
830	833	R2246		FALSE	FALSE	FALSE	FALSE		FALSE	FALSE	FALSE	FALSE	FALSE	FALSE	FALSE	FALSE	FALSE
35	35	C0069		FALSE	FALSE	FALSE	FALSE		FALSE	FALSE	FALSE	TRUE	FALSE	FALSE	FALSE	FALSE	FALSE
0	0	C0095		FALSE	FALSE	FALSE	FALSE		FALSE	FALSE	FALSE	FALSE	FALSE	FALSE	FALSE	FALSE	FALSE
86	86	C0401		FALSE	FALSE	FALSE	FALSE		FALSE	FALSE	FALSE	FALSE	FALSE	FALSE	FALSE	FALSE	FALSE
87	87	C0410	Info submitted to DHS.	TRUE	FALSE	FALSE	FALSE		TRUE	TRUE	TRUE	TRUE	FALSE	TRUE	TRUE	TRUE	FALSE
881	885	C0455		FALSE	FALSE	FALSE	FALSE		FALSE	FALSE	FALSE	FALSE	FALSE	FALSE	FALSE	FALSE	FALSE
89	89	C0486	Info submitted to DHS.	TRUE	FALSE	FALSE	FALSE		TRUE	TRUE	TRUE	TRUE	FALSE	TRUE	TRUE	TRUE	FALSE
90	90	C0494	Info submitted to DHS.	TRUE	TRUE	FALSE	TRUE		TRUE	TRUE	TRUE	TRUE	TRUE	TRUE	TRUE	TRUE	TRUE
92	92	C0532	Info submitted to DHS.	TRUE	FALSE	FALSE	FALSE		FALSE	FALSE	FALSE	FALSE	FALSE	FALSE	FALSE	FALSE	FALSE
0	0	C0640		FALSE	FALSE	FALSE	FALSE		FALSE	FALSE	FALSE	FALSE	FALSE	FALSE	FALSE	FALSE	FALSE
0	0	C0644		FALSE	FALSE	FALSE	FALSE		FALSE	FALSE	FALSE	FALSE	FALSE	FALSE	FALSE	FALSE	FALSE
0	0	C0647		FALSE	FALSE	FALSE	FALSE		FALSE	FALSE	FALSE	FALSE	FALSE	FALSE	FALSE	FALSE	FALSE
98	98	C1005	Info submitted to DHS.	TRUE	FALSE	FALSE	FALSE		FALSE	FALSE	FALSE	FALSE	FALSE	FALSE	FALSE	FALSE	FALSE
102	102	C1009	Info submitted to DHS.	TRUE	TRUE	FALSE	TRUE		TRUE	TRUE	TRUE	TRUE	TRUE	TRUE	TRUE	TRUE	TRUE
847	851	C1083		FALSE	FALSE	FALSE	FALSE		FALSE	FALSE	FALSE	FALSE	FALSE	FALSE	FALSE	FALSE	FALSE
848	852	C1084		FALSE	FALSE	FALSE	FALSE		FALSE	FALSE	FALSE	FALSE	FALSE	FALSE	FALSE	FALSE	FALSE
838	842	C2001		FALSE	FALSE	FALSE	FALSE		FALSE	FALSE	FALSE	FALSE	FALSE	FALSE	FALSE	FALSE	FALSE
876	880	C2002		FALSE	FALSE	FALSE	FALSE		FALSE	FALSE	FALSE	FALSE	FALSE	FALSE	FALSE	FALSE	FALSE
839	843	C2021		TRUE	TRUE	TRUE	TRUE		TRUE	TRUE	TRUE	TRUE	TRUE	FALSE	FALSE	FALSE	TRUE
120	120	R0210		FALSE	FALSE	FALSE	FALSE		FALSE	FALSE	FALSE	FALSE	FALSE	FALSE	FALSE	FALSE	FALSE
121	121	R0230		FALSE	FALSE	FALSE	FALSE		FALSE	FALSE	FALSE	FALSE	FALSE	FALSE	FALSE	FALSE	FALSE
122	122	R0240		FALSE	FALSE	FALSE	FALSE		FALSE	FALSE	FALSE	FALSE	FALSE	FALSE	FALSE	FALSE	FALSE
123	123	R0250		FALSE	FALSE	FALSE	FALSE		FALSE	FALSE	FALSE	FALSE	FALSE	FALSE	FALSE	FALSE	FALSE
124	124	R0260		FALSE	FALSE	FALSE	FALSE		FALSE	FALSE	FALSE	FALSE	FALSE	FALSE	FALSE	FALSE	FALSE
128	128	R0270	Info submitted to DHS.	FALSE	FALSE	FALSE	FALSE		FALSE	FALSE	FALSE	FALSE	FALSE	FALSE	FALSE	FALSE	FALSE

Central Basin Municipal Water District - Existing Database (Final from S. Surbey 12/16/99)

User	User	Pro.	Pro. ID	NAME	SUBMIT_DHS	APPRVL_DHS	RETRO_COST	FINANCING	SLCTCNCTR	CONTRACTOR	PRE_DHSVST	X_CONNECT	BACKFLOW	MTR_INSTL	RETRO_DONE	SIGNS	TEST	FNL_DHSVST	USR_CONN	
		129	129	R0280		FALSE	FALSE	FALSE	FALSE		FALSE	FALSE	FALSE	FALSE	FALSE	FALSE	FALSE	FALSE	FALSE	FALSE
		131	131	R0301		TRUE	TRUE	FALSE	FALSE		FALSE	FALSE	FALSE	FALSE	FALSE	FALSE	FALSE	FALSE	FALSE	FALSE
		140	140	R0384		FALSE	FALSE	FALSE	FALSE		FALSE	FALSE	FALSE	FALSE	FALSE	FALSE	FALSE	FALSE	FALSE	FALSE
		143	143	R0401		FALSE	FALSE	FALSE	FALSE		FALSE	FALSE	FALSE	FALSE	FALSE	FALSE	FALSE	FALSE	FALSE	FALSE
		148	148	R0420		FALSE	FALSE	FALSE	FALSE		FALSE	FALSE	FALSE	FALSE	FALSE	FALSE	FALSE	FALSE	FALSE	FALSE
		150	150	R0425		FALSE	FALSE	FALSE	FALSE		FALSE	FALSE	FALSE	FALSE	FALSE	FALSE	FALSE	FALSE	FALSE	FALSE
		151	151	R0427		FALSE	FALSE	FALSE	FALSE		FALSE	FALSE	FALSE	FALSE	FALSE	FALSE	FALSE	FALSE	FALSE	FALSE
		153	153	R0430		FALSE	FALSE	FALSE	FALSE		FALSE	FALSE	FALSE	FALSE	FALSE	FALSE	FALSE	FALSE	FALSE	FALSE
		240	240	R0447		FALSE	FALSE	FALSE	FALSE		FALSE	FALSE	FALSE	FALSE	FALSE	FALSE	FALSE	FALSE	FALSE	FALSE
		154	154	R0471		FALSE	FALSE	FALSE	FALSE		FALSE	FALSE	FALSE	FALSE	FALSE	FALSE	FALSE	FALSE	FALSE	FALSE
		156	156	R0501		FALSE	FALSE	FALSE	FALSE		FALSE	FALSE	FALSE	FALSE	FALSE	FALSE	FALSE	FALSE	FALSE	FALSE
		157	157	R0502		FALSE	FALSE	FALSE	FALSE		FALSE	FALSE	FALSE	FALSE	FALSE	FALSE	FALSE	FALSE	FALSE	FALSE
		749	752	R0503		FALSE	FALSE	FALSE	FALSE		FALSE	FALSE	FALSE	FALSE	FALSE	FALSE	FALSE	FALSE	FALSE	FALSE
		158	158	R0506		FALSE	FALSE	FALSE	FALSE		FALSE	FALSE	FALSE	FALSE	FALSE	FALSE	FALSE	FALSE	FALSE	FALSE
		551	554	R0602		FALSE	FALSE	FALSE	FALSE		FALSE	FALSE	FALSE	FALSE	FALSE	FALSE	FALSE	FALSE	FALSE	FALSE
		165	165	R0618	Info submitted to DHS.	TRUE	FALSE	FALSE	FALSE		TRUE	TRUE	TRUE	TRUE	FALSE	TRUE	TRUE	TRUE	FALSE	FALSE
		166	166	R0619	Info submitted to DHS.	TRUE	FALSE	FALSE	FALSE		TRUE	TRUE	TRUE	TRUE	FALSE	TRUE	TRUE	TRUE	FALSE	FALSE
		553	556	R0620		FALSE	FALSE	FALSE	FALSE		FALSE	FALSE	FALSE	FALSE	FALSE	FALSE	FALSE	FALSE	FALSE	FALSE
		167	167	R0621		FALSE	FALSE	FALSE	FALSE		FALSE	FALSE	FALSE	FALSE	FALSE	FALSE	FALSE	FALSE	FALSE	FALSE
		168	168	R0622		FALSE	FALSE	FALSE	FALSE		FALSE	FALSE	FALSE	FALSE	FALSE	FALSE	FALSE	FALSE	FALSE	FALSE
		169	169	R0625		FALSE	FALSE	FALSE	FALSE		FALSE	FALSE	FALSE	FALSE	FALSE	FALSE	FALSE	FALSE	FALSE	FALSE
		170	170	R0627		FALSE	FALSE	FALSE	FALSE		FALSE	FALSE	FALSE	FALSE	FALSE	FALSE	FALSE	FALSE	FALSE	FALSE
		0	0	R0628		FALSE	FALSE	FALSE	FALSE		FALSE	FALSE	FALSE	FALSE	FALSE	FALSE	FALSE	FALSE	FALSE	FALSE
		171	171	R0629		FALSE	FALSE	FALSE	FALSE		FALSE	FALSE	FALSE	FALSE	FALSE	FALSE	FALSE	FALSE	FALSE	FALSE
		172	172	R0637	Info submitted to DHS.	TRUE	FALSE	FALSE	FALSE		TRUE	TRUE	TRUE	TRUE	FALSE	TRUE	TRUE	TRUE	FALSE	FALSE
		173	173	R0641		FALSE	FALSE	FALSE	FALSE		FALSE	FALSE	FALSE	FALSE	FALSE	FALSE	FALSE	FALSE	FALSE	FALSE
		174	174	R0642		FALSE	FALSE	FALSE	FALSE		FALSE	FALSE	FALSE	FALSE	FALSE	FALSE	FALSE	FALSE	FALSE	FALSE
		175	175	R0643		FALSE	FALSE	FALSE	FALSE		FALSE	FALSE	FALSE	FALSE	FALSE	FALSE	FALSE	FALSE	FALSE	FALSE
		176	176	R0645		FALSE	FALSE	FALSE	FALSE		FALSE	FALSE	FALSE	FALSE	FALSE	FALSE	FALSE	FALSE	FALSE	FALSE
		177	177	R0646		FALSE	FALSE	FALSE	FALSE		FALSE	FALSE	FALSE	FALSE	FALSE	FALSE	FALSE	FALSE	FALSE	FALSE
		178	178	R0648		FALSE	FALSE	FALSE	FALSE		FALSE	FALSE	FALSE	FALSE	FALSE	FALSE	FALSE	FALSE	FALSE	FALSE
		556	559	R0691		FALSE	FALSE	FALSE	FALSE		FALSE	FALSE	FALSE	FALSE	FALSE	FALSE	FALSE	FALSE	FALSE	FALSE
		190	190	R0704		FALSE	FALSE	FALSE	FALSE		FALSE	FALSE	FALSE	FALSE	FALSE	FALSE	FALSE	FALSE	FALSE	FALSE
		191	191	R0705		FALSE	FALSE	FALSE	FALSE		FALSE	FALSE	FALSE	FALSE	FALSE	FALSE	FALSE	FALSE	FALSE	FALSE
		212	212	R0706		FALSE	FALSE	FALSE	FALSE		FALSE	FALSE	FALSE	FALSE	FALSE	FALSE	FALSE	FALSE	FALSE	FALSE
		213	213	R0711		FALSE	FALSE	FALSE	FALSE		FALSE	FALSE	FALSE	FALSE	FALSE	FALSE	FALSE	FALSE	FALSE	FALSE
		192	192	R0724		FALSE	FALSE	FALSE	FALSE		FALSE	FALSE	FALSE	FALSE	FALSE	FALSE	FALSE	FALSE	FALSE	FALSE
		195	195	R0737		FALSE	FALSE	FALSE	FALSE		FALSE	FALSE	FALSE	FALSE	FALSE	FALSE	FALSE	FALSE	FALSE	FALSE
		196	196	R0752	Info submitted to DHS.	TRUE	FALSE	FALSE	FALSE		TRUE	TRUE	TRUE	TRUE	FALSE	TRUE	TRUE	TRUE	FALSE	FALSE
		197	197	R0754		FALSE	FALSE	FALSE	FALSE		FALSE	FALSE	FALSE	FALSE	FALSE	FALSE	FALSE	FALSE	FALSE	FALSE
		198	198	R0757		FALSE	FALSE	FALSE	FALSE		FALSE	FALSE	FALSE	FALSE	FALSE	FALSE	FALSE	FALSE	FALSE	FALSE
		200	200	R0768		FALSE	FALSE	FALSE	FALSE		FALSE	FALSE	FALSE	FALSE	FALSE	FALSE	FALSE	FALSE	FALSE	FALSE
		204	204	R0781		FALSE	FALSE	FALSE	FALSE		FALSE	FALSE	FALSE	FALSE	FALSE	FALSE	FALSE	FALSE	FALSE	FALSE
		205	205	R0782		FALSE	FALSE	FALSE	FALSE		FALSE	FALSE	FALSE	FALSE	FALSE	FALSE	FALSE	FALSE	FALSE	FALSE
		207	207	R0804		FALSE	FALSE	FALSE	FALSE		FALSE	FALSE	FALSE	FALSE	FALSE	FALSE	FALSE	FALSE	FALSE	FALSE
		208	208	R0806		FALSE	FALSE	FALSE	FALSE		FALSE	FALSE	FALSE	FALSE	FALSE	FALSE	FALSE	FALSE	FALSE	FALSE
		209	209	R0814		FALSE	FALSE	FALSE	FALSE		FALSE	FALSE	FALSE	FALSE	FALSE	FALSE	FALSE	FALSE	FALSE	FALSE
		811	814	R0819	Info submitted to DHS.	TRUE	FALSE	FALSE	FALSE		TRUE	TRUE	TRUE	TRUE	FALSE	TRUE	TRUE	TRUE	FALSE	FALSE
		215	215	R0840		FALSE	FALSE	FALSE	FALSE		FALSE	FALSE	FALSE	FALSE	FALSE	FALSE	FALSE	FALSE	FALSE	FALSE
		216	216	R0841		FALSE	FALSE	FALSE	FALSE		FALSE	FALSE	FALSE	FALSE	FALSE	FALSE	FALSE	FALSE	FALSE	FALSE
		217	217	R0844		FALSE	FALSE	FALSE	FALSE		FALSE	FALSE	FALSE	FALSE	FALSE	FALSE	FALSE	FALSE	FALSE	FALSE
		218	218	R0848		FALSE	FALSE	FALSE	FALSE		FALSE	FALSE	FALSE	FALSE	FALSE	FALSE	FALSE	FALSE	FALSE	FALSE

Central Basin Municipal Water District - Existing Database (Final from S. Surbey 12/16/99)

User	User																
Pro.	Pro. ID	NAME	SUBMIT_DHS	APPRVL_DHS	RETRO_COST	FINANCING	SLCTCNCTR	CONTRACTOR	PRE_DHSVST	X_CONNECT	BACKFLOW	MTR_INSTL	RETRO_DONE	SIGNS	TEST	FNL_DHSVST	USR_CONN
219	219	R0850		FALSE	FALSE	FALSE	FALSE		FALSE	FALSE	FALSE	FALSE	FALSE	FALSE	FALSE	FALSE	FALSE
221	221	R0853		FALSE	FALSE	FALSE	FALSE		FALSE	FALSE	FALSE	FALSE	FALSE	FALSE	FALSE	FALSE	FALSE
222	222	R0912		FALSE	FALSE	FALSE	FALSE		FALSE	FALSE	FALSE	FALSE	FALSE	FALSE	FALSE	FALSE	FALSE
223	223	R0914		FALSE	FALSE	FALSE	FALSE		FALSE	FALSE	FALSE	FALSE	FALSE	FALSE	FALSE	FALSE	FALSE
224	224	R0916		FALSE	FALSE	FALSE	FALSE		FALSE	FALSE	FALSE	FALSE	FALSE	FALSE	FALSE	FALSE	FALSE
225	225	R0917		FALSE	FALSE	FALSE	FALSE		FALSE	FALSE	FALSE	FALSE	FALSE	FALSE	FALSE	FALSE	FALSE
226	226	R0918		FALSE	FALSE	FALSE	FALSE		FALSE	FALSE	FALSE	FALSE	FALSE	FALSE	FALSE	FALSE	FALSE
227	227	R0927		FALSE	FALSE	FALSE	FALSE		FALSE	FALSE	FALSE	FALSE	FALSE	FALSE	FALSE	FALSE	FALSE
228	228	R0929		FALSE	FALSE	FALSE	FALSE		FALSE	FALSE	FALSE	FALSE	FALSE	FALSE	FALSE	FALSE	FALSE
538	541	R0930		FALSE	FALSE	FALSE	FALSE		FALSE	FALSE	FALSE	FALSE	FALSE	FALSE	FALSE	FALSE	FALSE
539	542	R0941		FALSE	FALSE	FALSE	FALSE		FALSE	FALSE	FALSE	FALSE	FALSE	FALSE	FALSE	FALSE	FALSE
248	248	R0978		FALSE	FALSE	FALSE	FALSE		FALSE	FALSE	FALSE	FALSE	FALSE	FALSE	FALSE	FALSE	FALSE
249	249	R0980		FALSE	FALSE	FALSE	FALSE		FALSE	FALSE	FALSE	FALSE	FALSE	FALSE	FALSE	FALSE	FALSE
250	251	R1001		FALSE	FALSE	FALSE	FALSE		FALSE	FALSE	FALSE	FALSE	FALSE	FALSE	FALSE	FALSE	FALSE
251	252	R1002		FALSE	FALSE	FALSE	FALSE		FALSE	FALSE	FALSE	FALSE	FALSE	FALSE	FALSE	FALSE	FALSE
252	253	R1003		FALSE	FALSE	FALSE	FALSE		FALSE	FALSE	FALSE	FALSE	FALSE	FALSE	FALSE	FALSE	FALSE
259	260	R1073		FALSE	FALSE	FALSE	FALSE		FALSE	FALSE	FALSE	FALSE	FALSE	FALSE	FALSE	FALSE	FALSE
917	263	R1081		FALSE	FALSE	FALSE	FALSE		FALSE	FALSE	FALSE	FALSE	FALSE	FALSE	FALSE	FALSE	FALSE
262	264	R1084		FALSE	FALSE	FALSE	FALSE		FALSE	FALSE	FALSE	FALSE	FALSE	FALSE	FALSE	FALSE	FALSE
812	815	R1086		FALSE	FALSE	FALSE	FALSE		FALSE	FALSE	FALSE	FALSE	FALSE	FALSE	FALSE	FALSE	FALSE
263	265	R1095		FALSE	FALSE	FALSE	FALSE		FALSE	FALSE	FALSE	FALSE	FALSE	FALSE	FALSE	FALSE	FALSE
264	266	R1099		FALSE	FALSE	FALSE	FALSE		FALSE	FALSE	FALSE	FALSE	FALSE	FALSE	FALSE	FALSE	FALSE
265	267	R1101		FALSE	FALSE	FALSE	FALSE		FALSE	FALSE	FALSE	FALSE	FALSE	FALSE	FALSE	FALSE	FALSE
266	268	R1102		FALSE	FALSE	FALSE	FALSE		FALSE	FALSE	FALSE	FALSE	FALSE	FALSE	FALSE	FALSE	FALSE
268	270	R1120		FALSE	FALSE	FALSE	FALSE		FALSE	FALSE	FALSE	FALSE	FALSE	FALSE	FALSE	FALSE	FALSE
275	277	R1207		FALSE	FALSE	FALSE	FALSE		FALSE	FALSE	FALSE	FALSE	FALSE	FALSE	FALSE	FALSE	FALSE
277	279	R1212		FALSE	FALSE	FALSE	FALSE		FALSE	FALSE	FALSE	FALSE	FALSE	FALSE	FALSE	FALSE	FALSE
279	281	R1215		FALSE	FALSE	FALSE	FALSE		FALSE	FALSE	FALSE	FALSE	FALSE	FALSE	FALSE	FALSE	FALSE
280	282	R1216		FALSE	FALSE	FALSE	FALSE		FALSE	FALSE	FALSE	FALSE	FALSE	FALSE	FALSE	FALSE	FALSE
281	283	R1217		FALSE	FALSE	FALSE	FALSE		FALSE	FALSE	FALSE	FALSE	FALSE	FALSE	FALSE	FALSE	FALSE
282	284	R1218		FALSE	FALSE	FALSE	FALSE		FALSE	FALSE	FALSE	FALSE	FALSE	FALSE	FALSE	FALSE	FALSE
283	285	R1219		FALSE	FALSE	FALSE	FALSE		FALSE	FALSE	FALSE	FALSE	FALSE	FALSE	FALSE	FALSE	FALSE
284	286	R1220		FALSE	FALSE	FALSE	FALSE		FALSE	FALSE	FALSE	FALSE	FALSE	FALSE	FALSE	FALSE	FALSE
285	287	R1221		FALSE	FALSE	FALSE	FALSE		FALSE	FALSE	FALSE	FALSE	FALSE	FALSE	FALSE	FALSE	FALSE
286	288	R1222		FALSE	FALSE	FALSE	FALSE		FALSE	FALSE	FALSE	FALSE	FALSE	FALSE	FALSE	FALSE	FALSE
287	289	R1223		FALSE	FALSE	FALSE	FALSE		FALSE	FALSE	FALSE	FALSE	FALSE	FALSE	FALSE	FALSE	FALSE
288	290	R1224		FALSE	FALSE	FALSE	FALSE		FALSE	FALSE	FALSE	FALSE	FALSE	FALSE	FALSE	FALSE	FALSE
289	291	R1225		FALSE	FALSE	FALSE	FALSE		FALSE	FALSE	FALSE	FALSE	FALSE	FALSE	FALSE	FALSE	FALSE
290	292	R1226		FALSE	FALSE	FALSE	FALSE		FALSE	FALSE	FALSE	FALSE	FALSE	FALSE	FALSE	FALSE	FALSE
292	294	R1228		FALSE	FALSE	FALSE	FALSE		FALSE	FALSE	FALSE	FALSE	FALSE	FALSE	FALSE	FALSE	FALSE
293	295	R1230		FALSE	FALSE	FALSE	FALSE		FALSE	FALSE	FALSE	FALSE	FALSE	FALSE	FALSE	FALSE	FALSE
294	296	R1231		FALSE	FALSE	FALSE	FALSE		FALSE	FALSE	FALSE	FALSE	FALSE	FALSE	FALSE	FALSE	FALSE
295	297	R1232		FALSE	FALSE	FALSE	FALSE		FALSE	FALSE	FALSE	FALSE	FALSE	FALSE	FALSE	FALSE	FALSE
296	298	R1233		FALSE	FALSE	FALSE	FALSE		FALSE	FALSE	FALSE	FALSE	FALSE	FALSE	FALSE	FALSE	FALSE
299	301	R1237		FALSE	FALSE	FALSE	FALSE		FALSE	FALSE	FALSE	FALSE	FALSE	FALSE	FALSE	FALSE	FALSE
300	302	R1239		FALSE	FALSE	FALSE	FALSE		FALSE	FALSE	FALSE	FALSE	FALSE	FALSE	FALSE	FALSE	FALSE
301	303	R1240		FALSE	FALSE	FALSE	FALSE		FALSE	FALSE	FALSE	FALSE	FALSE	FALSE	FALSE	FALSE	FALSE
302	304	R1241		FALSE	FALSE	FALSE	FALSE		FALSE	FALSE	FALSE	FALSE	FALSE	FALSE	FALSE	FALSE	FALSE
303	305	R1242		FALSE	FALSE	FALSE	FALSE		FALSE	FALSE	FALSE	FALSE	FALSE	FALSE	FALSE	FALSE	FALSE
305	307	R1244		FALSE	FALSE	FALSE	FALSE		FALSE	FALSE	FALSE	FALSE	FALSE	FALSE	FALSE	FALSE	FALSE
307	309	R1246		FALSE	FALSE	FALSE	FALSE		FALSE	FALSE	FALSE	FALSE	FALSE	FALSE	FALSE	FALSE	FALSE
308	310	R1247		FALSE	FALSE	FALSE	FALSE		FALSE	FALSE	FALSE	FALSE	FALSE	FALSE	FALSE	FALSE	FALSE

Central Basin Municipal Water District - Existing Database (Final from S. Surbey 12/16/99)

User	User																
Pro.	Pro.	ID NAME	SUBMIT_DHS	APPRVL_DHS	RETRO_COST	FINANCING	SLCTCNCTR	CONTRACTOR	PRE_DHSVST	X_CONNECT	BACKFLOW	MTR_INSTL	RETRO_DONE	SIGNS	TEST	FNL_DHSVST	USR_CONN
316	318	R1273		FALSE	FALSE	FALSE	FALSE		FALSE	FALSE	FALSE	FALSE	FALSE	FALSE	FALSE	FALSE	FALSE
317	319	R1276		FALSE	FALSE	FALSE	FALSE		FALSE	FALSE	FALSE	FALSE	FALSE	FALSE	FALSE	FALSE	FALSE
607	610	R1283		FALSE	FALSE	FALSE	FALSE		FALSE	FALSE	FALSE	FALSE	FALSE	FALSE	FALSE	FALSE	FALSE
322	324	R1284		FALSE	FALSE	FALSE	FALSE		FALSE	FALSE	FALSE	FALSE	FALSE	FALSE	FALSE	FALSE	FALSE
323	325	R1286		FALSE	FALSE	FALSE	FALSE		FALSE	FALSE	FALSE	FALSE	FALSE	FALSE	FALSE	FALSE	FALSE
324	326	R1287		FALSE	FALSE	FALSE	FALSE		FALSE	FALSE	FALSE	FALSE	FALSE	FALSE	FALSE	FALSE	FALSE
325	327	R1290		FALSE	FALSE	FALSE	FALSE		FALSE	FALSE	FALSE	FALSE	FALSE	FALSE	FALSE	FALSE	FALSE
326	328	R1291		FALSE	FALSE	FALSE	FALSE		FALSE	FALSE	FALSE	FALSE	FALSE	FALSE	FALSE	FALSE	FALSE
327	329	R1292		FALSE	FALSE	FALSE	FALSE		FALSE	FALSE	FALSE	FALSE	FALSE	FALSE	FALSE	FALSE	FALSE
328	330	R1293		FALSE	FALSE	FALSE	FALSE		FALSE	FALSE	FALSE	FALSE	FALSE	FALSE	FALSE	FALSE	FALSE
330	332	R1297		FALSE	FALSE	FALSE	FALSE		FALSE	FALSE	FALSE	FALSE	FALSE	FALSE	FALSE	FALSE	FALSE
331	333	R1298		FALSE	FALSE	FALSE	FALSE		FALSE	FALSE	FALSE	FALSE	FALSE	FALSE	FALSE	FALSE	FALSE
335	337	R1302		FALSE	FALSE	FALSE	FALSE		FALSE	FALSE	FALSE	FALSE	FALSE	FALSE	FALSE	FALSE	FALSE
336	338	R1303		FALSE	FALSE	FALSE	FALSE		FALSE	FALSE	FALSE	FALSE	FALSE	FALSE	FALSE	FALSE	FALSE
815	818	R1312		FALSE	FALSE	FALSE	FALSE		FALSE	FALSE	FALSE	FALSE	FALSE	FALSE	FALSE	FALSE	FALSE
340	342	R1313		FALSE	FALSE	FALSE	FALSE		FALSE	FALSE	FALSE	FALSE	FALSE	FALSE	FALSE	FALSE	FALSE
341	343	R1314		FALSE	FALSE	FALSE	FALSE		FALSE	FALSE	FALSE	FALSE	FALSE	FALSE	FALSE	FALSE	FALSE
342	344	R1315		FALSE	FALSE	FALSE	FALSE		FALSE	FALSE	FALSE	FALSE	FALSE	FALSE	FALSE	FALSE	FALSE
343	345	R1316		FALSE	FALSE	FALSE	FALSE		FALSE	FALSE	FALSE	FALSE	FALSE	FALSE	FALSE	FALSE	FALSE
344	346	R1317		FALSE	FALSE	FALSE	FALSE		FALSE	FALSE	FALSE	FALSE	FALSE	FALSE	FALSE	FALSE	FALSE
605	608	R1318		FALSE	FALSE	FALSE	FALSE		FALSE	FALSE	FALSE	FALSE	FALSE	FALSE	FALSE	FALSE	FALSE
350	352	R1328		FALSE	FALSE	FALSE	FALSE		FALSE	FALSE	FALSE	FALSE	FALSE	FALSE	FALSE	FALSE	FALSE
352	354	R1332		FALSE	FALSE	FALSE	FALSE		FALSE	FALSE	FALSE	FALSE	FALSE	FALSE	FALSE	FALSE	FALSE
353	355	R1334		FALSE	FALSE	FALSE	FALSE		FALSE	FALSE	FALSE	FALSE	FALSE	FALSE	FALSE	FALSE	FALSE
354	356	R1338		FALSE	FALSE	FALSE	FALSE		FALSE	FALSE	FALSE	FALSE	FALSE	FALSE	FALSE	FALSE	FALSE
355	357	R1342		FALSE	FALSE	FALSE	FALSE		FALSE	FALSE	FALSE	FALSE	FALSE	FALSE	FALSE	FALSE	FALSE
356	358	R1343		FALSE	FALSE	FALSE	FALSE		FALSE	FALSE	FALSE	FALSE	FALSE	FALSE	FALSE	FALSE	FALSE
357	359	R1345		FALSE	FALSE	FALSE	FALSE		FALSE	FALSE	FALSE	FALSE	FALSE	FALSE	FALSE	FALSE	FALSE
602	605	R1346		FALSE	FALSE	FALSE	FALSE		FALSE	FALSE	FALSE	FALSE	FALSE	FALSE	FALSE	FALSE	FALSE
359	361	R1350		FALSE	FALSE	FALSE	FALSE		FALSE	FALSE	FALSE	FALSE	FALSE	FALSE	FALSE	FALSE	FALSE
360	362	R1352		FALSE	FALSE	FALSE	FALSE		FALSE	FALSE	FALSE	FALSE	FALSE	FALSE	FALSE	FALSE	FALSE
758	761	R1366		FALSE	FALSE	FALSE	FALSE		FALSE	FALSE	FALSE	FALSE	FALSE	FALSE	FALSE	FALSE	FALSE
743	746	R1443		FALSE	FALSE	FALSE	FALSE		FALSE	FALSE	FALSE	FALSE	FALSE	FALSE	FALSE	FALSE	FALSE
569	572	R1444		FALSE	FALSE	FALSE	FALSE		FALSE	FALSE	FALSE	FALSE	FALSE	FALSE	FALSE	FALSE	FALSE
591	594	R1445		FALSE	FALSE	FALSE	FALSE		FALSE	FALSE	FALSE	FALSE	FALSE	FALSE	FALSE	FALSE	FALSE
603	606	R1446		FALSE	FALSE	FALSE	FALSE		FALSE	FALSE	FALSE	FALSE	FALSE	FALSE	FALSE	FALSE	FALSE
567	570	R1447		FALSE	FALSE	FALSE	FALSE		FALSE	FALSE	FALSE	FALSE	FALSE	FALSE	FALSE	FALSE	FALSE
550	553	R1449		FALSE	FALSE	FALSE	FALSE		FALSE	FALSE	FALSE	FALSE	FALSE	FALSE	FALSE	FALSE	FALSE
558	561	R1450		FALSE	FALSE	FALSE	FALSE		FALSE	FALSE	FALSE	FALSE	FALSE	FALSE	FALSE	FALSE	FALSE
572	575	R1451		FALSE	FALSE	FALSE	FALSE		FALSE	FALSE	FALSE	FALSE	FALSE	FALSE	FALSE	FALSE	FALSE
595	598	R1452		FALSE	FALSE	FALSE	FALSE		FALSE	FALSE	FALSE	FALSE	FALSE	FALSE	FALSE	FALSE	FALSE
587	590	R1453		FALSE	FALSE	FALSE	FALSE		FALSE	FALSE	FALSE	FALSE	FALSE	FALSE	FALSE	FALSE	FALSE
589	592	R1454		FALSE	FALSE	FALSE	FALSE		FALSE	FALSE	FALSE	FALSE	FALSE	FALSE	FALSE	FALSE	FALSE
583	586	R1455		FALSE	FALSE	FALSE	FALSE		FALSE	FALSE	FALSE	FALSE	FALSE	FALSE	FALSE	FALSE	FALSE
624	627	R2008		FALSE	FALSE	FALSE	FALSE		FALSE	FALSE	FALSE	FALSE	FALSE	FALSE	FALSE	FALSE	FALSE
649	652	R2033		FALSE	FALSE	FALSE	FALSE		FALSE	FALSE	FALSE	FALSE	FALSE	FALSE	FALSE	FALSE	FALSE
652	655	R2036		FALSE	FALSE	FALSE	FALSE		FALSE	FALSE	FALSE	FALSE	FALSE	FALSE	FALSE	FALSE	FALSE
659	662	R2043		FALSE	FALSE	FALSE	FALSE		FALSE	FALSE	FALSE	FALSE	FALSE	FALSE	FALSE	FALSE	FALSE
664	667	R2048		FALSE	FALSE	FALSE	FALSE		FALSE	FALSE	FALSE	FALSE	FALSE	FALSE	FALSE	FALSE	FALSE
665	668	R2049		FALSE	FALSE	FALSE	FALSE		FALSE	FALSE	FALSE	FALSE	FALSE	FALSE	FALSE	FALSE	FALSE
675	678	R2059		FALSE	FALSE	FALSE	FALSE		FALSE	FALSE	FALSE	FALSE	FALSE	FALSE	FALSE	FALSE	FALSE
676	679	R2060		FALSE	FALSE	FALSE	FALSE		FALSE	FALSE	FALSE	FALSE	FALSE	FALSE	FALSE	FALSE	FALSE

Central Basin Municipal Water District - Existing Database (Final from S. Surbey 12/16/99)

User	User																
Pro.	Pro.	ID NAME	SUBMIT_DHS	APPRVL_DHS	RETRO_COST	FINANCING	SLCTCNCTR	CONTRACTOR	PRE_DHSVST	X_CONNECT	BACKFLOW	MTR_INSTL	RETRO_DONE	SIGNS	TEST	FNL_DHSVST	USR_CONN
678	681	R2062		FALSE	FALSE	FALSE	FALSE		FALSE	FALSE	FALSE	FALSE	FALSE	FALSE	FALSE	FALSE	FALSE
686	689	R2070		FALSE	FALSE	FALSE	FALSE		FALSE	FALSE	FALSE	FALSE	FALSE	FALSE	FALSE	FALSE	FALSE
687	690	R2071		FALSE	FALSE	FALSE	FALSE		FALSE	FALSE	FALSE	FALSE	FALSE	FALSE	FALSE	FALSE	FALSE
688	691	R2072		FALSE	FALSE	FALSE	FALSE		FALSE	FALSE	FALSE	FALSE	FALSE	FALSE	FALSE	FALSE	FALSE
694	697	R2078		FALSE	FALSE	FALSE	FALSE		FALSE	FALSE	FALSE	FALSE	FALSE	FALSE	FALSE	FALSE	FALSE
696	699	R2080		FALSE	FALSE	FALSE	FALSE		FALSE	FALSE	FALSE	FALSE	FALSE	FALSE	FALSE	FALSE	FALSE
697	700	R2081		FALSE	FALSE	FALSE	FALSE		FALSE	FALSE	FALSE	FALSE	FALSE	FALSE	FALSE	FALSE	FALSE
698	701	R2082		FALSE	FALSE	FALSE	FALSE		FALSE	FALSE	FALSE	FALSE	FALSE	FALSE	FALSE	FALSE	FALSE
701	704	R2085		FALSE	FALSE	FALSE	FALSE		FALSE	FALSE	FALSE	FALSE	FALSE	FALSE	FALSE	FALSE	FALSE
702	705	R2086		FALSE	FALSE	FALSE	FALSE		FALSE	FALSE	FALSE	FALSE	FALSE	FALSE	FALSE	FALSE	FALSE
706	709	R2090		FALSE	FALSE	FALSE	FALSE		FALSE	FALSE	FALSE	FALSE	FALSE	FALSE	FALSE	FALSE	FALSE
707	710	R2091		FALSE	FALSE	FALSE	FALSE		FALSE	FALSE	FALSE	FALSE	FALSE	FALSE	FALSE	FALSE	FALSE
0	0			FALSE	FALSE	FALSE	FALSE		FALSE	FALSE	FALSE	FALSE	FALSE	FALSE	FALSE	FALSE	FALSE
0	0			FALSE	FALSE	FALSE	FALSE		FALSE	FALSE	FALSE	FALSE	FALSE	FALSE	FALSE	FALSE	FALSE
0	0			FALSE	FALSE	FALSE	FALSE		FALSE	FALSE	FALSE	FALSE	FALSE	FALSE	FALSE	FALSE	FALSE
77	77	C0252		FALSE	FALSE	FALSE	FALSE		FALSE	FALSE	FALSE	FALSE	FALSE	FALSE	FALSE	FALSE	FALSE
139	139	R0380		FALSE	FALSE	FALSE	FALSE		FALSE	FALSE	FALSE	FALSE	FALSE	FALSE	FALSE	FALSE	FALSE

Central Basin Municipal Water District - Existing Database (Final from S. Surbey 12/16/99)

User	User						
Pro.	ID	NAME	STATUS	ACTION1	ACTION2	ACTION3	TMPCONN
179	179	R0649	State Loan				No
915	919	R1460					
239	239	R0635	Commerce Expans			CWSC identifies a demand of 222 afy.	No
19	19	C0042	State Loan				No
579	582	R1420		La Mirada			No
592	595	R0958					No
351	353	R1331					No
566	569	R1413		East Whittier area			No
358	360	R1348	Commerce Expans				No
577	580	R1421		La Mirada			No
16	16	C0038		Retrofit in progress.			Yes
852	856	C1087					No
184	184	R0772		Design lateral to serve user.	Contact Paul Vetter, central facility planning contact.		No
606	609	R1329					No
11	11	C0020					Yes
535	538	R0879		Design lateral to serve user.			No
235	235	R0662					No
45	45	C0098					Yes
552	555	R1422		La Mirada			No
70	70	C0234					Yes
555	558	R1433		Los Angeles County			No
870	874	R1200					No
42	42	C0088					Yes
615	618	R1277					No
14	14	C0034	State Loan				No
546	549	R0959					No
236	236	R0663					No
181	181	R0661					No
752	755	R0755					No
39	39	C0081					No
51	51	C0106					Yes
55	55	C0110					Yes
814	817	R1414		East Whittier area			No
36	36	C0070					Yes
37	37	C0073					Yes
50	50	C0105					Yes
78	78	C0253					Yes
194	194	R0721	Commerce Expans				No
547	550	R0960					No
147	147	R0414					No
851	855	C1086					No
67	67	C0228					Yes
3	3	C0008					Yes
597	600	R1434		Los Angeles County			No
581	584	R1412		East Whittier area			No
880	884	R1415		East Whittier area			No
186	186	R0678					No
6	6	C0013					Yes
253	254	R1005					Yes
677	680	R2061					No
866	870	C0413					Yes
861	865	C1096					No

Central Basin Municipal Water District - Existing Database (Final from S. Surbey 12/16/99)

User Pro.	User ID	User NAME	STATUS	ACTION1	ACTION2	ACTION3	TMPCONN
274	276	R1206					Yes
766	769	R1362					No
17	17	C0040					Yes
72	72	C0236		School needs board approval for retrofit work.			Yes
5	5	C0012					No
611	614	R1272					No
738	741	R2122					No
18	18	C0041					Yes
32	32	C0065					Yes
43	43	C0091					Yes
76	76	C0246		User has water quality concerns.			No
764	767	C0251					No
183	183	R0793					No
269	271	R1201		Huntington Park requesting funds from Council for retrofit.	Main distribution line on hold.		Yes
291	293	R1227					No
318	320	R1278					No
565	568	R1432		La Mirada			No
571	574	R1437		Los Angeles County			No
31	31	C0064					Yes
56	56	C0111		Retrofit work being done.			Yes
860	864	C1095					No
879	883	C0056		They pump contaminated groundwater from basin.	Purveyor wants them to continue.		No
132	132	R0310					Yes
309	311	R1249		Near golf course. Requires lateral extension from Fairway	Dr. on Bradgate Dr., Sandoval Ave., Narrows Dr., and Kruse	Rd. (10-yr. marginal, ok if Whittier Fertilizer is a user.)	No
765	768	R1376	State Loan				No
349	351	R1325					No
23	23	C0051					No
180	180	R0650	Commerce Expans				No
202	202	R0681					No
332	334	R1299					No
20	20	C0047					Yes
188	188	R0683					No
244	244	R0970					No
297	299	R1234					No
789	792	R2220	State Loan				No
26	26	C0054					Yes
28	28	C0058					Yes
187	187	R0679					No
10	10	C0019					No
15	15	C0035					Yes
52	52	C0107		Need Paramount to set meter.			No
921	921	C2019	State Loan				
136	136	R0350		Contact new assistant superintendent.	Design lateral to serve user. Lateral construction on hold.	Need updated irrigation plans. Serviced by 3 meters.	Yes
199	199	R0760					No
532	535	R0824					No
534	537	R0836					No
298	300	R1235					No
313	315	R1253					No
768	771	R1377	Commerce Expans				No
574	577	R1438		Los Angeles County			No
875	879	R2248		POC is at 670 ft elev. @ rsrvr behind college athletic field	Max site eleve is 900 ft - need to consider hydraulics	Closure expected in 30 yrs (2025 a.d)	No
9	9	C0016		Retrofit to befin during week of 07/25/94			Yes

Central Basin Municipal Water District - Existing Database (Final from S. Surbey 12/16/99)

User Pro.	User ID	NAME	STATUS	ACTION1	ACTION2	ACTION3	TMPCONN
63	63	C0205		School needs board approval for retrofit work.			Yes
545	548	R0956					No
69	69	C0233					Yes
726	729	R2110	State Loan				No
610	613	R1271					No
74	74	C0238		Norwalk needs financial assistance.			No
81	81	C0260					Yes
100	100	C1007					Yes
536	539	R0900		Main pipeline on hold.			No
242	242	R0967		Need short lateral extension from Beverly Blvd. along Pine	St. and Beverly Road to serve park.		No
578	581	R1429		La Mirada			No
68	68	C0232		Needs financial assistance to do retrofit work.			Yes
79	79	C0258					Yes
30	30	C0060		Schl Dst to extend pipe on property to connect to irrig sys.			No
59	59	C0116		Retrofit work being done.			Yes
855	859	C1090					No
241	241	R0467					No
757	760	R0801					No
596	599	R0883	State Loan				No
304	306	R1243					No
346	348	R1321	Commerce Expans				No
745	748	R1372	State Loan				No
762	765	R1374					No
669	672	R2053					No
29	29	C0059					Yes
40	40	C0083		Need financial assistance for retrofit work.			No
65	65	C0220		Need financial assistance to do retrofit work.			Yes
84	84	C0263					No
127	127	R0265					Yes
537	540	R0905	State Loan				No
245	245	R0972					Yes
306	308	R1245					No
563	566	R1419		East Whittier area			No
13	13	C0025					Yes
339	341	R1309					No
651	654	R2035					No
709	712	R2093					No
612	615	R1270					No
570	573	R1427		La Mirada			No
21	21	C0049					Yes
33	33	C0066					Yes
46	46	C0100		Need financial assistance.			Yes
769	772	C0255		Follow up site visit 2/9/94. Need meter put in.			No
80	80	C0259		Well water is more cost effective for them to use.			No
82	82	C0261					Yes
869	873	C0518					Yes
831	834	C2000					Yes
916	920	C2016					
560	563	R0601					No
755	758	R0638		Design lateral to serve user.			No
232	232	R0675					No
214	214	R0714					No

Central Basin Municipal Water District - Existing Database (Final from S. Surbey 12/16/99)

User Pro.	User Pro. ID	NAME	STATUS	ACTION1	ACTION2	ACTION3	TMPCONN
185	185	R0775					No
210	210	R0817					No
533	536	R0835					No
229	229	R0945					No
230	230	R0946					No
234	234	R0951					No
541	544	R0954					No
548	551	R0963					No
850	854	R1209					Yes
319	321	R1279					No
744	747	R1370					No
732	735	R2116					No
66	66	C0227		School needs board approval for retrofit work.			Yes
856	860	C1091					No
220	220	R0677					No
333	335	R1300					No
564	567	R1431		La Mirada			No
8	8	C0015					Yes
25	25	C0053					Yes
146	146	R0413					No
189	189	R0700		Design lateral to serve user.			No
582	585	R1417		East Whittier area			No
580	583	R1430		La Mirada			No
772	775	R2201					No
57	57	C0112		Retrofit work being done.			No
71	71	C0235		School needs board approval for retrofit work.			Yes
853	857	C1088					No
134	134	R0330			Design lateral to serve user.	Need updated irrigation plans.	No
754	757	R0676					No
24	24	C0052					Yes
41	41	C0087					Yes
888	892	C2007	State Loan				No
892	896	C2011	State Loan				No
138	138	R0370					Yes
272	274	R1204		Design lateral to serve user.			No
594	597	R1439		Los Angeles County			No
631	634	R2015					No
633	636	R2017					No
54	54	C0109		Waiting for DHS approval.			Yes
64	64	C0206		School needs board approval for retrofit work.			Yes
99	99	C1006					Yes
103	103	C1077					No
857	861	C1092					No
858	862	C1093					No
201	201	R0770					No
182	182	R0790					No
211	211	R0821					No
531	534	R0822					No
543	546	R0947					No
544	547	R0949					Yes
542	545	R0955					No
549	552	R0965					No

Central Basin Municipal Water District - Existing Database (Final from S. Surbey 12/16/99)

User	User						
Pro.	Pro. ID	NAME	STATUS	ACTION1	ACTION2	ACTION3	TMPCONN
243	243	R0969					No
918	250	R1000		Design lateral to serve user.			No
273	275	R1205					No
278	280	R1213					Yes
338	340	R1307		3 meters at one site.	Need to verify additional meters.	User has water quality concerns.	No
600	603	R1319	Commerce Expans				No
763	766	R1375					No
731	734	R2115	State Loan				No
27	27	C0057					Yes
53	53	C0108		Retrofit work being done.			Yes
62	62	C0204		School needs board approval for retrofit work.			Yes
868	872	C0520					No
864	868	C1099					No
114	114	R0150					No
347	349	R1322	Commerce Expans				No
593	596	R1423		La Mirada			No
728	731	R2112	State Loan				No
730	733	R2114					No
44	44	C0094		Does not meet ten-year rule without Rockwell Int'l.	No distribution system extension has been constructed.		No
60	60	C0127					Yes
867	871	C0462					Yes
271	273	R1203					Yes
334	336	R1301					No
756	759	R1364	Commerce Expans				No
584	587	R1416		East Whittier area			No
683	686	R2067					No
4	4	C0009					No
22	22	C0050					Yes
73	73	C0237		School needs board approval for retrofit work.			Yes
101	101	C1008					Yes
104	104	C1078					Yes
106	106	C1080					Yes
854	858	C1089					No
130	130	R0300					Yes
329	331	R1296					No
348	350	R1323	Commerce Expans				No
742	745	R1353					No
590	593	R1418		East Whittier area			No
575	578	R1428		La Mirada			No
599	602	R1441		Los Angeles County			No
586	589	R1442		Los Angeles County			No
729	732	R2113					No
773	776	R2202	Commerce Expans				No
690	693	R2074					No
862	866	C1097					No
863	867	C1098					No
163	163	R0570					No
237	237	R0664					No
193	193	R0720					No
714	717	R2098					No
733	736	R2117					No
623	626	R2007					No

Central Basin Municipal Water District - Existing Database (Final from S. Surbey 12/16/99)

User Pro.	User ID	NAME	STATUS	ACTION1	ACTION2	ACTION3	TMPCONN
609	612	R1275					No
0	0	C0043					Yes
34	34	C0067					Yes
38	38	C0075					Yes
49	49	C0104					No
75	75	C0244		School needs board approval for retrofit work.			Yes
94	94	C1001					Yes
105	105	C1079					Yes
107	107	C1081					Yes
849	853	C1085					Yes
859	863	C1094					No
203	203	R0682					No
321	323	R1282					No
767	770	R1356					No
588	591	R1440		Los Angeles County			No
771	774	R2200					No
724	727	R2108					No
2	2	C0007					Yes
85	85	C0266					Yes
93	93	C1000					Yes
119	119	R0200					No
133	133	R0320					No
345	347	R1320					No
685	688	R2069					No
720	723	R2104					No
740	743	R2124					No
88	88	C0439					No
112	112	R0130					No
256	257	R1052					No
270	272	R1202					No
310	312	R1250					No
311	313	R1251					No
770	773	R1357					No
759	762	R1359	Commerce Expans				No
608	611	R1274					No
657	660	R2041					No
674	677	R2058					No
813	816	C0102		Board approval has not been obtained for retrofit costs.			Yes
58	58	C0113		Retrofit work being done.			Yes
61	61	C0201		Need financial assistance to do retrofit work.			Yes
109	109	R0100					No
111	111	R0120					No
135	135	R0340			Design lateral to serve user.		No
159	159	R0521					Yes
573	576	R1400					No
712	715	R2096					No
716	719	R2100					No
632	635	R2016					No
655	658	R2039					No
1	1	C0006		Confirm potential demand, complete site visit.			Yes
108	108	C1082					Yes
110	110	R0110					No

Central Basin Municipal Water District - Existing Database (Final from S. Surbey 12/16/99)

User Pro.	User Pro. ID	User NAME	STATUS	ACTION1	ACTION2	ACTION3	TMPCONN
137	137	R0360		Contact new assistant superintendent.	Design lateral to serve user. Lateral construction on hold.	Need updated irrigation plans.	Yes
231	231	R0665				CWSC identifies a demand of 364 afy.	No
206	206	R0800					No
254	255	R1039					Yes
315	317	R1269					No
320	322	R1280					No
337	339	R1306					No
751	754	R1358	Commerce Expans				No
761	764	R1363	Commerce Expans				No
663	666	R2047					No
680	683	R2064					No
695	698	R2079					No
719	722	R2103					No
736	739	R2120					No
617	620	R2001					No
666	669	R2050					No
650	653	R2034					No
613	616	R1281					No
614	617	R1294					No
0	0	C0044					Yes
902	906	C2015					Yes
113	113	R0140					No
141	141	R0390			Design lateral to serve user.	Need updated irrigation plans.	No
162	162	R0525					No
540	543	R0953					No
246	246	R0974					No
260	261	R1074			User informed us: RW is property owner's responsibility.		No
276	278	R1208					No
312	314	R1252					No
314	316	R1254					No
679	682	R2063					No
681	684	R2065					No
734	737	R2118	State Loan				No
739	742	R2123					No
622	625	R2006					No
620	623	R2004					No
626	629	R2010					No
735	738	R2119					No
47	47	C0101					Yes
48	48	C0103		Need financial assistance for retrofit.			Yes
95	95	C1002					Yes
96	96	C1003					Yes
97	97	C1004					No
142	142	R0400			Design lateral to serve user.		No
233	233	R0950					No
704	707	R2088					No
717	720	R2101					No
721	724	R2105					No
618	621	R2002					No
646	649	R2030					No
723	726	R2107					No
684	687	R2068					No

Central Basin Municipal Water District - Existing Database (Final from S. Surbey 12/16/99)

User Pro.	User Pro. ID	User NAME	STATUS	ACTION1	ACTION2	ACTION3	TMPCONN
711	714	R2095					No
741	744	R2125					No
670	673	R2054					No
691	694	R2075					No
718	721	R2102					No
692	695	R2076					No
643	646	R2027					No
12	12	C0022					No
865	869	C1100					No
145	145	R0412			User is unresponsive.		No
261	262	R1080					No
267	269	R1107					No
750	753	R1360	Commerce Expans				No
653	656	R2037					No
700	703	R2084					No
708	711	R2092					No
658	661	R2042					No
621	624	R2005					No
656	659	R2040					No
715	718	R2099					No
629	632	R2013					No
639	642	R2023					No
722	725	R2106					No
619	622	R2003					No
642	645	R2026					No
627	630	R2011					No
641	644	R2025					No
638	641	R2022					No
671	674	R2055					No
705	708	R2089					No
636	639	R2020					No
637	640	R2021					No
640	643	R2024					No
644	647	R2028					No
654	657	R2038					No
725	728	R2109					No
625	628	R2009					No
668	671	R2052					No
673	676	R2057					No
689	692	R2073					No
616	619	R2000					No
628	631	R2012					No
645	648	R2029					No
647	650	R2031					No
7	7	C0014					Yes
115	115	R0160					No
116	116	R0170					No
117	117	R0180					No
126	126	R0264					No
144	144	R0410		Meet with school representatives to discuss program and pick	up piping plans.		No
238	238	R0630		Design lateral to serve user.			No
247	247	R0976		Mr. Rick Vasquez recommends not to use recycled wtr at site.	He states that kids utilize adjacent field for gardening.		No

Central Basin Municipal Water District - Existing Database (Final from S. Surbey 12/16/99)

User Pro.	User ID	User NAME	STATUS	ACTION1	ACTION2	ACTION3	TMPCONN
255	256	R1040					No
258	259	R1065			User is unresponsive.		No
630	633	R2014					No
661	664	R2045					No
667	670	R2051					No
682	685	R2066					No
693	696	R2077					No
703	706	R2087					No
727	730	R2111					No
0	0	C0096					Yes
83	83	C0262					Yes
91	91	C0508					No
871	875	C1101					No
872	876	C1102					No
884	888	C2003					No
885	889	C2004					No
886	890	C2005					No
887	891	C2006					No
889	893	C2008	State Loan				No
890	894	C2009					No
891	895	C2010					No
893	897	C2012					No
894	898	C2013					No
895	899	C2014					No
118	118	R0190					No
125	125	R0263					No
149	149	R0421		Small landscaped area is expected; demand unknown.	Park will run from Workman Mill Rd to Sycamore Cyn Colima Rd	City interested in fire line w/ hydrants. POC will be Wrkman	No
152	152	R0429					No
155	155	R0500					No
160	160	R0523					No
161	161	R0524					No
164	164	R0600			No grass area for irrigation.		No
257	258	R1061					No
816	819	R1456					No
634	637	R2018					No
635	638	R2019					No
648	651	R2032					No
660	663	R2044					No
662	665	R2046					No
672	675	R2056					No
699	702	R2083					No
710	713	R2094					No
713	716	R2097					No
737	740	R2121					No
774	777	R2203	Commerce Expans				No
775	778	R2204					No
776	779	R2205					No
777	780	R2206					No
778	781	R2207					No
779	782	R2208					No
780	783	R2209					No
781	784	R2210					No

Central Basin Municipal Water District - Existing Database (Final from S. Surbey 12/16/99)

User Pro.	User ID	User NAME	STATUS	ACTION1	ACTION2	ACTION3	TMPCONN
782	785	R2212					No
783	786	R2213	State Loan				No
784	787	R2214					No
785	788	R2215					No
786	789	R2216					No
787	790	R2217					No
788	791	R2218					No
790	793	R2222					No
791	794	R2223					No
792	795	R2224					No
793	796	R2225					No
794	797	R2226					No
795	798	R2227					No
796	799	R2228					No
817	820	R2232					No
818	821	R2233					No
819	822	R2234					No
820	823	R2235					No
821	824	R2236					No
822	825	R2237					No
823	826	R2239					No
824	827	R2240					No
825	828	R2241					No
826	829	R2242					No
827	830	R2243					No
828	831	R2244					No
829	832	R2245					No
830	833	R2246					No
35	35	C0069		Pilot test being conducted.	Engineering report in progress.		No
0	0	C0095	State Loan				No
86	86	C0401					No
87	87	C0410			Not interested.		No
881	885	C0455					No
89	89	C0486			Out of business. Previous demand of 230 afy.		No
90	90	C0494					Yes
92	92	C0532		Waiting for approval from DHS.	Does not meet 10-year rule.		No
0	0	C0640	Vernon Exp.				
0	0	C0644	Vernon Exp.				
0	0	C0647	Vernon Exp.				
98	98	C1005		Waiting for final approval from DHS.	Investigating 10-year rule / Pays back in 7 years.		No
102	102	C1009					Yes
847	851	C1083					No
848	852	C1084					No
838	842	C2001					No
876	880	C2002					No
839	843	C2021		Contact City to remove fire hydrant & cap line in vault.			Yes
120	120	R0210					No
121	121	R0230					No
122	122	R0240					No
123	123	R0250					No
124	124	R0260					No
128	128	R0270					No

Central Basin Municipal Water District - Existing Database (Final from S. Surbey 12/16/99)

User Pro.	User Pro. ID	NAME	STATUS	ACTION1	ACTION2	ACTION3	TMPCONN
129	129	R0280					No
131	131	R0301	State Loan	User is concerned about water pricing from City/South Gate.			No
140	140	R0384			User checking on acceptability of water quality.		No
143	143	R0401	State Loan				No
148	148	R0420		Complete engineering report.	Conducting water quality tests.		No
150	150	R0425					No
151	151	R0427					No
153	153	R0430		Investigate cooling tower use.	Irrigation record dwgs on file. Need cooling tower plans.	49 AFY is based on current user water record (11/12/93)	No
240	240	R0447		Revise estimated demand.	District will contact.		No
154	154	R0471					No
156	156	R0501					No
157	157	R0502					No
749	752	R0503					No
158	158	R0506					No
551	554	R0602	Commerce Expans				No
165	165	R0618					No
166	166	R0619					No
553	556	R0620					No
167	167	R0621					No
168	168	R0622					No
169	169	R0625					No
170	170	R0627					No
0	0	R0628					No
171	171	R0629	Vernon Exp.	Conduct analysis of fire system	Develop pipe tagging schedule.	Main pipeline on hold.	No
172	172	R0637		Moved, no longer in Vernon.			No
173	173	R0641					No
174	174	R0642					No
175	175	R0643		Considering closing plant.			No
176	176	R0645		Check if user can use Recycled water for cleaning uniforms.			No
177	177	R0646					No
178	178	R0648					No
556	559	R0691					No
190	190	R0704					No
191	191	R0705	Vernon Exp.				No
212	212	R0706		Determine if user can use reclaimed water in cooling towers.			No
213	213	R0711					No
192	192	R0724	Vernon Exp.				No
195	195	R0737					No
196	196	R0752		No listing for this user in telephone directory.			No
197	197	R0754				CWSC indentifies a demand of 333 afy.	No
198	198	R0757					No
200	200	R0768	Vernon Exp.		User is unresponsive.		No
204	204	R0781					No
205	205	R0782			Rainwater pond is primary source of water.	CWSC identifies a demand of 283 afy.	No
207	207	R0804	State Loan				No
208	208	R0806					No
209	209	R0814		Going out of business.			No
811	814	R0819		No listing for this user in telephone directory.			No
215	215	R0840		Needs demineralized water.			No
216	216	R0841		Needs demineralized water.		Serviced by 2 meters.	No
217	217	R0844					No
218	218	R0848		User not interested.	They have a closed loop system and don't use a lot of water.		No

Central Basin Municipal Water District - Existing Database (Final from S. Surbey 12/16/99)

User Pro.	User Pro. ID	NAME	STATUS	ACTION1	ACTION2	ACTION3	TMPCONN
219	219	R0850	Vernon Exp.				No
221	221	R0853	Vernon Exp.			Serviced by 2 meters.	No
222	222	R0912					No
223	223	R0914					No
224	224	R0916	Vernon Exp.	Main pipeline on hold.			No
225	225	R0917	Vernon Exp.	Main pipeline on hold.			No
226	226	R0918	Vernon Exp.				No
227	227	R0927					No
228	228	R0929					No
538	541	R0930	Vernon Exp.		User is unresponsive.		No
539	542	R0941					No
248	248	R0978	Vernon Exp.		User is unresponsive.		No
249	249	R0980					No
250	251	R1001		Main pipeline on hold.			No
251	252	R1002	Vernon Exp.	Main pipeline is on hold.			No
252	253	R1003					No
259	260	R1073		HYA to follow-up. User may not exist.			No
917	263	R1081		User believes retrofit will be too expensive.			No
262	264	R1084			Strictly shipping. No longer manufac. Won't use RW.		No
812	815	R1086			User doesn't want RW.		No
263	265	R1095					No
264	266	R1099				LADWP identifies a demand of 294 afy.	No
265	267	R1101					No
266	268	R1102					No
268	270	R1120					No
275	277	R1207					No
277	279	R1212		User is interested in recycled water at this facility.	Must work out arrangement with LADWP.		No
279	281	R1215					No
280	282	R1216					No
281	283	R1217					No
282	284	R1218					No
283	285	R1219					No
284	286	R1220					No
285	287	R1221					No
286	288	R1222					No
287	289	R1223					No
288	290	R1224					No
289	291	R1225					No
290	292	R1226					No
292	294	R1228					No
293	295	R1230					No
294	296	R1231					No
295	297	R1232					No
296	298	R1233					No
299	301	R1237					No
300	302	R1239					No
301	303	R1240					No
302	304	R1241					No
303	305	R1242					No
305	307	R1244					No
307	309	R1246					No
308	310	R1247					No

Central Basin Municipal Water District - Existing Database (Final from S. Surbey 12/16/99)

User Pro.	User ID	NAME	STATUS	ACTION1	ACTION2	ACTION3	TMPCONN
316	318	R1273					No
317	319	R1276	State Loan				No
607	610	R1283					No
322	324	R1284					No
323	325	R1286					No
324	326	R1287		Near golf course. Would be served by lateral extension to	Streamland park.	Serviced by 3 meters.	No
325	327	R1290		Confirm that user is not in operation.			No
326	328	R1291	State Loan				No
327	329	R1292					No
328	330	R1293					No
330	332	R1297					No
331	333	R1298					No
335	337	R1302					No
336	338	R1303		Determine if this is a real potential user.			No
815	818	R1312					No
340	342	R1313					No
341	343	R1314					No
342	344	R1315	State Loan				No
343	345	R1316	Commerce Expans				No
344	346	R1317	Commerce Expans				No
605	608	R1318					No
350	352	R1328					No
352	354	R1332					No
353	355	R1334					No
354	356	R1338					No
355	357	R1342	Commerce Expans				No
356	358	R1343	Commerce Expans				No
357	359	R1345	Commerce Expans				No
602	605	R1346	Commerce Expans				No
359	361	R1350	Commerce Expans				No
360	362	R1352	Vernon				No
758	761	R1366	Commerce Expans				No
743	746	R1443		City of La Mirada			No
569	572	R1444		City of La Mirada			No
591	594	R1445		City of La Mirada			No
603	606	R1446		City of La Mirada			No
567	570	R1447		City of La Mirada			No
550	553	R1449		Los Angeles County			No
558	561	R1450		Los Angeles County			No
572	575	R1451		Los Angeles County			No
595	598	R1452		Los Angeles County			No
587	590	R1453		East Whittier area			No
589	592	R1454		East Whittier area			No
583	586	R1455		East Whittier area			No
624	627	R2008					No
649	652	R2033					No
652	655	R2036					No
659	662	R2043					No
664	667	R2048					No
665	668	R2049					No
675	678	R2059					No
676	679	R2060					No

Central Basin Municipal Water District - Existing Database (Final from S. Surbey 12/16/99)

User Pro.	User Pro. ID	NAME	STATUS	ACTION1	ACTION2	ACTION3	TMPCONN
678	681	R2062					No
686	689	R2070					No
687	690	R2071					No
688	691	R2072					No
694	697	R2078					No
696	699	R2080					No
697	700	R2081					No
698	701	R2082					No
701	704	R2085					No
702	705	R2086					No
706	709	R2090					No
707	710	R2091					No
0	0						
0	0						
0	0						
77	77	C0252					
139	139	R0380					

Central Basin Municipal Water District - Existing Database (Final from S. Surbey 12/16/99)

Pro.	User Pro. ID	User NAME	USER_ID	TEMP_TYPE
179	179	R0649		0
915	919	R1460		0
239	239	R0635		0
19	19	C0042		1
579	582	R1420		0
592	595	R0958		0
351	353	R1331		0
566	569	R1413		0
358	360	R1348		0
577	580	R1421		0
16	16	C0038		0
852	856	C1087		0
184	184	R0772		0
606	609	R1329		0
11	11	C0020		0
535	538	R0879		0
235	235	R0662		0
45	45	C0098		0
552	555	R1422		0
70	70	C0234		0
555	558	R1433		0
870	874	R1200		0
42	42	C0088		0
615	618	R1277		0
14	14	C0034		0
546	549	R0959		0
236	236	R0663		0
181	181	R0661		0
752	755	R0755		0
39	39	C0081		0
51	51	C0106		0
55	55	C0110		0
814	817	R1414		0
36	36	C0070		0
37	37	C0073		0
50	50	C0105		0
78	78	C0253		0
194	194	R0721		0
547	550	R0960		0
147	147	R0414		0
851	855	C1086		0
67	67	C0228		0
3	3	C0008		0
597	600	R1434		0
581	584	R1412		0
880	884	R1415		0
186	186	R0678		0
6	6	C0013		0
253	254	R1005		0
677	680	R2061		0
866	870	C0413		0
861	865	C1096		0

Central Basin Municipal Water District - Existing Database (Final from S. Surbey 12/16/99)

User	User		
Pro.	Pro.	ID NAME	USER_ID TEMP_TYPE
274	276	R1206	0
766	769	R1362	0
17	17	C0040	0
72	72	C0236	0
5	5	C0012	0
611	614	R1272	0
738	741	R2122	0
18	18	C0041	0
32	32	C0065	0
43	43	C0091	0
76	76	C0246	0
764	767	C0251	0
183	183	R0793	0
269	271	R1201	0
291	293	R1227	0
318	320	R1278	0
565	568	R1432	0
571	574	R1437	0
31	31	C0064	0
56	56	C0111	0
860	864	C1095	0
879	883	C0056	0
132	132	R0310	0
309	311	R1249	0
765	768	R1376	1
349	351	R1325	0
23	23	C0051	0
180	180	R0650	0
202	202	R0681	0
332	334	R1299	0
20	20	C0047	0
188	188	R0683	0
244	244	R0970	0
297	299	R1234	0
789	792	R2220	1
26	26	C0054	0
28	28	C0058	0
187	187	R0679	0
10	10	C0019	0
15	15	C0035	0
52	52	C0107	0
921	921	C2019	1
136	136	R0350	0
199	199	R0760	0
532	535	R0824	0
534	537	R0836	0
298	300	R1235	0
313	315	R1253	0
768	771	R1377	0
574	577	R1438	0
875	879	R2248	0
9	9	C0016	0

Central Basin Municipal Water District - Existing Database (Final from S. Surbey 12/16/99)

User	User		
Pro.	Pro.	ID NAME	USER_ID TEMP_TYPE
63	63	C0205	0
545	548	R0956	0
69	69	C0233	0
726	729	R2110	1
610	613	R1271	0
74	74	C0238	0
81	81	C0260	0
100	100	C1007	0
536	539	R0900	0
242	242	R0967	0
578	581	R1429	0
68	68	C0232	0
79	79	C0258	0
30	30	C0060	0
59	59	C0116	0
855	859	C1090	0
241	241	R0467	0
757	760	R0801	0
596	599	R0883	1
304	306	R1243	0
346	348	R1321	0
745	748	R1372	1
762	765	R1374	0
669	672	R2053	0
29	29	C0059	0
40	40	C0083	0
65	65	C0220	0
84	84	C0263	0
127	127	R0265	0
537	540	R0905	1
245	245	R0972	0
306	308	R1245	0
563	566	R1419	0
13	13	C0025	0
339	341	R1309	0
651	654	R2035	0
709	712	R2093	0
612	615	R1270	0
570	573	R1427	0
21	21	C0049	0
33	33	C0066	0
46	46	C0100	0
769	772	C0255	0
80	80	C0259	0
82	82	C0261	0
869	873	C0518	0
831	834	C2000	0
916	920	C2016	0
560	563	R0601	0
755	758	R0638	0
232	232	R0675	0
214	214	R0714	0

Central Basin Municipal Water District - Existing Database (Final from S. Surbey 12/16/99)

User	User		
Pro.	Pro.	ID NAME	USER_ID TEMP_TYPE
185	185	R0775	0
210	210	R0817	0
533	536	R0835	0
229	229	R0945	0
230	230	R0946	0
234	234	R0951	0
541	544	R0954	0
548	551	R0963	0
850	854	R1209	0
319	321	R1279	0
744	747	R1370	0
732	735	R2116	0
66	66	C0227	0
856	860	C1091	0
220	220	R0677	0
333	335	R1300	0
564	567	R1431	0
8	8	C0015	0
25	25	C0053	0
146	146	R0413	0
189	189	R0700	0
582	585	R1417	0
580	583	R1430	0
772	775	R2201	0
57	57	C0112	0
71	71	C0235	0
853	857	C1088	0
134	134	R0330	0
754	757	R0676	0
24	24	C0052	0
41	41	C0087	0
888	892	C2007	1
892	896	C2011	1
138	138	R0370	0
272	274	R1204	0
594	597	R1439	0
631	634	R2015	0
633	636	R2017	0
54	54	C0109	0
64	64	C0206	0
99	99	C1006	0
103	103	C1077	0
857	861	C1092	0
858	862	C1093	0
201	201	R0770	0
182	182	R0790	0
211	211	R0821	0
531	534	R0822	0
543	546	R0947	0
544	547	R0949	0
542	545	R0955	0
549	552	R0965	0

Central Basin Municipal Water District - Existing Database (Final from S. Surbey 12/16/99)

User	User		
Pro.	Pro.	ID NAME	USER_ID TEMP_TYPE
243	243	R0969	0
918	250	R1000	0
273	275	R1205	0
278	280	R1213	0
338	340	R1307	0
600	603	R1319	0
763	766	R1375	0
731	734	R2115	1
27	27	C0057	0
53	53	C0108	0
62	62	C0204	0
868	872	C0520	0
864	868	C1099	0
114	114	R0150	0
347	349	R1322	0
593	596	R1423	0
728	731	R2112	1
730	733	R2114	0
44	44	C0094	0
60	60	C0127	0
867	871	C0462	0
271	273	R1203	0
334	336	R1301	0
756	759	R1364	0
584	587	R1416	0
683	686	R2067	0
4	4	C0009	0
22	22	C0050	0
73	73	C0237	0
101	101	C1008	0
104	104	C1078	0
106	106	C1080	0
854	858	C1089	0
130	130	R0300	0
329	331	R1296	0
348	350	R1323	0
742	745	R1353	0
590	593	R1418	0
575	578	R1428	0
599	602	R1441	0
586	589	R1442	0
729	732	R2113	0
773	776	R2202	0
690	693	R2074	0
862	866	C1097	0
863	867	C1098	0
163	163	R0570	0
237	237	R0664	0
193	193	R0720	0
714	717	R2098	0
733	736	R2117	0
623	626	R2007	0

Central Basin Municipal Water District - Existing Database (Final from S. Surbey 12/16/99)

User	User			
Pro.	Pro.	ID NAME	USER_ID	TEMP_TYPE
609	612	R1275		0
0	0	C0043		0
34	34	C0067		0
38	38	C0075		0
49	49	C0104		0
75	75	C0244		0
94	94	C1001		0
105	105	C1079		0
107	107	C1081		0
849	853	C1085		0
859	863	C1094		0
203	203	R0682		0
321	323	R1282		0
767	770	R1356		0
588	591	R1440		0
771	774	R2200		0
724	727	R2108		0
2	2	C0007		0
85	85	C0266		0
93	93	C1000		0
119	119	R0200		0
133	133	R0320		0
345	347	R1320		0
685	688	R2069		0
720	723	R2104		0
740	743	R2124		0
88	88	C0439		0
112	112	R0130		0
256	257	R1052		0
270	272	R1202		0
310	312	R1250		0
311	313	R1251		0
770	773	R1357		0
759	762	R1359		0
608	611	R1274		0
657	660	R2041		0
674	677	R2058		0
813	816	C0102		0
58	58	C0113		0
61	61	C0201		0
109	109	R0100		0
111	111	R0120		0
135	135	R0340		0
159	159	R0521		0
573	576	R1400		0
712	715	R2096		0
716	719	R2100		0
632	635	R2016		0
655	658	R2039		0
1	1	C0006		0
108	108	C1082		0
110	110	R0110		0

Central Basin Municipal Water District - Existing Database (Final from S. Surbey 12/16/99)

User	User			
Pro.	Pro.	ID NAME	USER_ID	TEMP_TYPE
137	137	R0360		0
231	231	R0665		0
206	206	R0800		0
254	255	R1039		0
315	317	R1269		0
320	322	R1280		0
337	339	R1306		0
751	754	R1358		0
761	764	R1363		0
663	666	R2047		0
680	683	R2064		0
695	698	R2079		0
719	722	R2103		0
736	739	R2120		0
617	620	R2001		0
666	669	R2050		0
650	653	R2034		0
613	616	R1281		0
614	617	R1294		0
0	0	C0044		0
902	906	C2015		0
113	113	R0140		0
141	141	R0390		0
162	162	R0525		0
540	543	R0953		0
246	246	R0974		0
260	261	R1074		0
276	278	R1208		0
312	314	R1252		0
314	316	R1254		0
679	682	R2063		0
681	684	R2065		0
734	737	R2118		1
739	742	R2123		0
622	625	R2006		0
620	623	R2004		0
626	629	R2010		0
735	738	R2119		0
47	47	C0101		0
48	48	C0103		0
95	95	C1002		0
96	96	C1003		0
97	97	C1004		0
142	142	R0400		0
233	233	R0950		0
704	707	R2088		0
717	720	R2101		0
721	724	R2105		0
618	621	R2002		0
646	649	R2030		0
723	726	R2107		0
684	687	R2068		0

Central Basin Municipal Water District - Existing Database (Final from S. Surbey 12/16/99)

User	User			
Pro.	Pro.	ID NAME	USER_ID	TEMP_TYPE
711	714	R2095		0
741	744	R2125		0
670	673	R2054		0
691	694	R2075		0
718	721	R2102		0
692	695	R2076		0
643	646	R2027		0
12	12	C0022		0
865	869	C1100		0
145	145	R0412		0
261	262	R1080		0
267	269	R1107		0
750	753	R1360		0
653	656	R2037		0
700	703	R2084		0
708	711	R2092		0
658	661	R2042		0
621	624	R2005		0
656	659	R2040		0
715	718	R2099		0
629	632	R2013		0
639	642	R2023		0
722	725	R2106		0
619	622	R2003		0
642	645	R2026		0
627	630	R2011		0
641	644	R2025		0
638	641	R2022		0
671	674	R2055		0
705	708	R2089		0
636	639	R2020		0
637	640	R2021		0
640	643	R2024		0
644	647	R2028		0
654	657	R2038		0
725	728	R2109		0
625	628	R2009		0
668	671	R2052		0
673	676	R2057		0
689	692	R2073		0
616	619	R2000		0
628	631	R2012		0
645	648	R2029		0
647	650	R2031		0
7	7	C0014		0
115	115	R0160		0
116	116	R0170		0
117	117	R0180		0
126	126	R0264		0
144	144	R0410		0
238	238	R0630		0
247	247	R0976		0

Central Basin Municipal Water District - Existing Database (Final from S. Surbey 12/16/99)

User	User			
Pro.	Pro.	ID NAME	USER_ID	TEMP_TYPE
255	256	R1040		0
258	259	R1065		0
630	633	R2014		0
661	664	R2045		0
667	670	R2051		0
682	685	R2066		0
693	696	R2077		0
703	706	R2087		0
727	730	R2111		0
0	0	C0096		0
83	83	C0262		0
91	91	C0508		0
871	875	C1101		0
872	876	C1102		0
884	888	C2003		0
885	889	C2004		0
886	890	C2005		0
887	891	C2006		0
889	893	C2008		1
890	894	C2009		0
891	895	C2010		0
893	897	C2012		0
894	898	C2013		0
895	899	C2014		0
118	118	R0190		0
125	125	R0263		0
149	149	R0421		0
152	152	R0429		0
155	155	R0500		0
160	160	R0523		0
161	161	R0524		0
164	164	R0600		0
257	258	R1061		0
816	819	R1456		0
634	637	R2018		0
635	638	R2019		0
648	651	R2032		0
660	663	R2044		0
662	665	R2046		0
672	675	R2056		0
699	702	R2083		0
710	713	R2094		0
713	716	R2097		0
737	740	R2121		0
774	777	R2203		0
775	778	R2204		0
776	779	R2205		0
777	780	R2206		0
778	781	R2207		0
779	782	R2208		0
780	783	R2209		0
781	784	R2210		0

Central Basin Municipal Water District - Existing Database (Final from S. Surbey 12/16/99)

User	User			
Pro.	Pro.	ID NAME	USER_ID	TEMP_TYPE
782	785	R2212		0
783	786	R2213		1
784	787	R2214		0
785	788	R2215		0
786	789	R2216		0
787	790	R2217		0
788	791	R2218		0
790	793	R2222		0
791	794	R2223		0
792	795	R2224		0
793	796	R2225		0
794	797	R2226		0
795	798	R2227		0
796	799	R2228		0
817	820	R2232		0
818	821	R2233		0
819	822	R2234		0
820	823	R2235		0
821	824	R2236		0
822	825	R2237		0
823	826	R2239		0
824	827	R2240		0
825	828	R2241		0
826	829	R2242		0
827	830	R2243		0
828	831	R2244		0
829	832	R2245		0
830	833	R2246		0
35	35	C0069		0
0	0	C0095		0
86	86	C0401		0
87	87	C0410		0
881	885	C0455		0
89	89	C0486		0
90	90	C0494		0
92	92	C0532		0
0	0	C0640		0
0	0	C0644		0
0	0	C0647		0
98	98	C1005		0
102	102	C1009		0
847	851	C1083		0
848	852	C1084		0
838	842	C2001		0
876	880	C2002		0
839	843	C2021		0
120	120	R0210		0
121	121	R0230		0
122	122	R0240		0
123	123	R0250		0
124	124	R0260		0
128	128	R0270		0

Central Basin Municipal Water District - Existing Database (Final from S. Surbey 12/16/99)

User	User		
Pro.	Pro. ID	NAME	TEMP_TYPE
129	129	R0280	0
131	131	R0301	1
140	140	R0384	0
143	143	R0401	0
148	148	R0420	0
150	150	R0425	0
151	151	R0427	0
153	153	R0430	0
240	240	R0447	0
154	154	R0471	0
156	156	R0501	0
157	157	R0502	0
749	752	R0503	0
158	158	R0506	0
551	554	R0602	0
165	165	R0618	0
166	166	R0619	0
553	556	R0620	0
167	167	R0621	0
168	168	R0622	0
169	169	R0625	0
170	170	R0627	0
0	0	R0628	0
171	171	R0629	0
172	172	R0637	0
173	173	R0641	0
174	174	R0642	0
175	175	R0643	0
176	176	R0645	0
177	177	R0646	0
178	178	R0648	0
556	559	R0691	0
190	190	R0704	0
191	191	R0705	0
212	212	R0706	0
213	213	R0711	0
192	192	R0724	0
195	195	R0737	0
196	196	R0752	0
197	197	R0754	0
198	198	R0757	0
200	200	R0768	0
204	204	R0781	0
205	205	R0782	0
207	207	R0804	1
208	208	R0806	0
209	209	R0814	0
811	814	R0819	0
215	215	R0840	0
216	216	R0841	0
217	217	R0844	0
218	218	R0848	0

Central Basin Municipal Water District - Existing Database (Final from S. Surbey 12/16/99)

User	User			
Pro.	Pro.	ID NAME	USER_ID	TEMP_TYPE
219	219	R0850		0
221	221	R0853		0
222	222	R0912		0
223	223	R0914		0
224	224	R0916		0
225	225	R0917		0
226	226	R0918		0
227	227	R0927		0
228	228	R0929		0
538	541	R0930		0
539	542	R0941		0
248	248	R0978		0
249	249	R0980		0
250	251	R1001		0
251	252	R1002		0
252	253	R1003		0
259	260	R1073		0
917	263	R1081		0
262	264	R1084		0
812	815	R1086		0
263	265	R1095		0
264	266	R1099		0
265	267	R1101		0
266	268	R1102		0
268	270	R1120		0
275	277	R1207		0
277	279	R1212		0
279	281	R1215		0
280	282	R1216		0
281	283	R1217		0
282	284	R1218		0
283	285	R1219		0
284	286	R1220		0
285	287	R1221		0
286	288	R1222		0
287	289	R1223		0
288	290	R1224		0
289	291	R1225		0
290	292	R1226		0
292	294	R1228		0
293	295	R1230		0
294	296	R1231		0
295	297	R1232		0
296	298	R1233		0
299	301	R1237		0
300	302	R1239		0
301	303	R1240		0
302	304	R1241		0
303	305	R1242		0
305	307	R1244		0
307	309	R1246		0
308	310	R1247		0

Central Basin Municipal Water District - Existing Database (Final from S. Surbey 12/16/99)

Pro.	User ID	User NAME	USER_ID	TEMP_TYPE
316	318	R1273		0
317	319	R1276		1
607	610	R1283		0
322	324	R1284		0
323	325	R1286		0
324	326	R1287		0
325	327	R1290		0
326	328	R1291		1
327	329	R1292		0
328	330	R1293		0
330	332	R1297		0
331	333	R1298		0
335	337	R1302		0
336	338	R1303		0
815	818	R1312		0
340	342	R1313		0
341	343	R1314		0
342	344	R1315		1
343	345	R1316		0
344	346	R1317		0
605	608	R1318		0
350	352	R1328		0
352	354	R1332		0
353	355	R1334		0
354	356	R1338		0
355	357	R1342		0
356	358	R1343		0
357	359	R1345		0
602	605	R1346		0
359	361	R1350		0
360	362	R1352		0
758	761	R1366		0
743	746	R1443		0
569	572	R1444		0
591	594	R1445		0
603	606	R1446		0
567	570	R1447		0
550	553	R1449		0
558	561	R1450		0
572	575	R1451		0
595	598	R1452		0
587	590	R1453		0
589	592	R1454		0
583	586	R1455		0
624	627	R2008		0
649	652	R2033		0
652	655	R2036		0
659	662	R2043		0
664	667	R2048		0
665	668	R2049		0
675	678	R2059		0
676	679	R2060		0

Central Basin Municipal Water District - Existing Database (Final from S. Surbey 12/16/99)

User	User			
Pro.	Pro.	ID NAME	USER_ID	TEMP_TYPE
678	681	R2062		0
686	689	R2070		0
687	690	R2071		0
688	691	R2072		0
694	697	R2078		0
696	699	R2080		0
697	700	R2081		0
698	701	R2082		0
701	704	R2085		0
702	705	R2086		0
706	709	R2090		0
707	710	R2091		0
0	0			0
0	0			0
0	0			0
77	77	C0252		0
139	139	R0380		0

Central Basin Municipal Water District - Existing Database (Users Equal and Above 100 AF)

NAME	USER_NAME	ADDRESS NO.	STREET	CITY	ZIP	TTLAVG AFY
R0649	Visy Corp. (Proposed Site)	8900	Washington Blvd.	Pico Rivera	90660	1000
MP154	Charleston Tex Inc.	2807	Santa Fe Av	Long Beach	90810	798
MP155	Mayflower Industries	3501	E Vernon Av	Vernon	90058	725
R1460	Rose Hills Cemetery	3900	W. Workman Mill Rd	County of L.A.	90601	600
MP156	Clougherty Packing Co.	3049	E Vernon Av	Vernon	90058	454
MP157	L A Dye & Print Works Inc.	2300	E 52nd St	Vernon	90040	433
MP645	City of Lakewood	5050	Clark Av	Lakewood	90712	432
MP312	Paramount Petroleum Corp	14700	Downey Av	Paramount	90723	417
MP930	CITY OF MONTEBELLO (GOLF COURSE)	901	Via San Clemente	Montebello	90640	381
MP158	Champion Packing Co.	3461	Vernon Av	Vernon	90058	380
MP980	GNB BATTERIES INC	2717	Indiana St	East Los Angeles	90063	360
R0635	Montebello Municipal Golf Course	850	Via San Clemente	Montebello	90640	346
C0042	Los Amigos Golf Course	7295	E Quill Dr	Downey	90242	340
MP978	US NAMSUNG TEXTILE, INC	4212	26th St	East Los Angeles	90023	330
R1420	La Mirada Park	13701	S Adelfa Dr	La Mirada	90368	312
MP1452	LA County Justice Center	7285	E Quill Dr	Downey	90242	307
MP160	Stone Blue Inc.	2501	E 28th St	Vernon	90058	304
R0958	New Calvary Cemetery	4201	Whittier Blvd	Los Angeles	90063	300
MP161	Pinetree Textile Inc.	3300	Bandini Blvd	Vernon	90023	296
MP960	LAFAYETTE TEXTILES (OFFICE METER)	4500	Dunham St	East Los Angeles	90023	292
R1331	L.A. County Dept. of Parks & Rec.	5041	East 1st Street	Los Angeles	90022	280
MP1297	CITY OF LKWD - SOUTH ST			Cerritos	90703	275
MP162	US Spectrum Textiles LLC	4900	E 50th St	Vernon	90058	264
MP1	None	17901	Clark Av	Bellflower	90706	262

Central Basin Municipal Water District
Water Recycling Master Plan
Existing Database (Users Equal and Above 50 AF)
Exhibit B

No.	NAME	USER_NAME	ADDRESS NO.	ADDRESS	CITY	ZIP	TTLAVG AFY
1	MP154	Charleston Tex Inc.	2807	Santa Fe Av	Long Beach	90810	798
2	MP155	Mayflower Industries	3501	E Vernon Av	Vernon	90058	725
3	R1460	Rose Hills Cemetery	3900	W. Workman Mill Rd	County of L.A.	90601	600
4	MP156	Clougherty Packing Co.	3049	E Vernon Av	Vernon	90058	454
5	MP157	L A Dye & Print Works Inc.	2300	E 52nd St	Vernon	90040	433
6	MP645	City of Lakewood	5050	Clark Av	Lakewood	90712	432
7	MP312	Paramount Petroleum Corp	14700	Downey Av	Paramount	90723	417
8	MP158	Champion Packing Co.	3461	Vernon Av	Vernon	90058	380
9	MP980	GNB BATTERIES INC	2717	Indiana St	East Los Angeles	90063	360
10	R0635	Montebello Municipal Golf Course	850	Via San Clemente	Montebello	90640	346
11	C0042	Los Amigos Golf Course	7295	E Quill Dr	Downey	90242	340
12	MP978	US NAMSUNG TEXTILE, INC	4212	26th St	East Los Angeles	90023	330
13	R1420	La Mirada Park	13701	S Adelfa Dr	La Mirada	90368	312
14	MP1452	LA County Justice Center	7285	E Quill Dr	Downey	90242	307
15	MP160	Stone Blue Inc.	2501	E 28th St	Vernon	90058	304
16	R0958	New Calvary Cemetery	4201	Whittier Blvd	Los Angeles	90063	300
17	MP161	Pinetree Textile Inc.	3300	Bandini Blvd	Vernon	90023	296
18	MP960	LAFAYETTE TEXTILES (OFFICE METER)	4500	Dunham St	East Los Angeles	90023	292
19	R1331	L.A. County Dept. of Parks & Rec.	5041	East 1st Street	Los Angeles	90022	280
20	MP1297	CITY OF LKWD - SOUTH ST			Cerritos	90703	275
21	MP162	US Spectrum Textiles LLC	4900	E 50th St	Vernon	90058	264
22	MP1	None	17901	Clark Av	Bellflower	90706	262
23	MP614	CO-LOS ANGELES		120th/Wilmington	Compton	90222	262
24	MP398	General Dyeing	15125	Marquardt Av	Santa Fe Springs	90670	261
25	MP772	L A COUNTY MECH	15200	Foster Rd	La Mirada	90638	258
26	MP918	L.A. INDUSTRIAL LAUNDRY	412	Roosevelt Av	Montebello	90640	257
27	MP399	Air Products & Chemical	8934	Dice Rd	Santa Fe Springs	90670	254
28	R1413	Friendly Hills Country Club	8500	S Villaverde Dr	Whittier	90603	248
29	MP1389	None					247
30	R1348	Los Angeles Cnty / Commerce Refuse	5900	Sheila Street	Commerce	90040	245
31	MP959	ARAMARK UNIFORM SERVICES INC	4422	Dunham St	East Los Angeles	90023	230
32	R1421	La Mirada Golf Course	15501	E Alicante Rd	La Mirada	90638	216
33	MP735	FRIENDLY HILLS C C	8500	Villaverde Dr	Whittier	90605	209
34	C1087	Metropolitan State Hospital		Volunteer Ave & Cyclops St	Norwalk	90625	200
35	MP400	Queen Div / Shaw Ind.	15305	Valley View Av	Santa Fe Springs	90670	196
36	MP163	Metro Wash & Laundry	6270	S Boyle Av	Vernon	90058	194
37	MP164	Packaging Advantage Corp.	4633	Downey Rd	Vernon	90058	187
38	MP1257	MEDIANS/PARKWAYS			Cerritos	90703	185
39	MP1298	None	8500	Villa Verde Dr	Whittier	90605	166
40	MP1117	NO AMER ROCKWELL	12214	Lakewood Blvd	Downey	90242	163
41	MP1430	Lindbergh School	3300	Cedar Av	Lynwood	90262	160
42	MP1432	State traffic Circle lmed1			Lynwood	90262	160
43	MP165	Owens Illinois Inc.	2923	Fruitland Av	Vernon	90058	159
44	MP986	WESTERNTX INDUSTRIES	6913	Acco St	Montebello	90640	158
45	R1329	Orowheat Baking Company	480	South Vail Avenue	Montebello	90640	158
46	MP1296	CITY OF LKWD - DEL AMO			Cerritos	90703	155
47	MP313	Braun Towel Linen Service			Paramount	90723	151
48	MP944	INDUSTRY EMERY	5568	61st St Gate #7	Commerce	90040	151
49	R0879	Pico Rivera Municipal Golf Course	3260	Fairway Drive	Pico Rivera	90660	150
50	C0020	Hollydale Park		Monroe Ave & Idaho Ave	South Gate	90280	150
51	MP1447	St Francis Hospital	3630	E Imperial Hwy	Lynwood	90242	141
52	MP646	Mayfair Highschool	6000	Woodruff Av	Lakewood	90713	140
53	MP486	The Park	12350	Del Amo Blvd	Lakewood	90715	139
54	R0662	Belvedere Park	4914	E. Brooklyn Ave.	Los Angeles	90040	138
55	C0098	Caltrans I-710 & I-105		I-710 & I 105	Lynwood	90260	136
56	R1422	Biola University	13800	Biola Ave	La Mirada	90638	134
57	R1433	California High School	9800	S. Mills Ave	Whittier	90604	130
58	C0234	Caltrans Foster & Behrans		I-605 & I 105	Norwalk		130
59	R1200	Whittier College	13406	East Philadelphia Street	Whittier	90608	120
60	MP1422	Lynwood High School	4050	E Imperial Hwy	Lynwood	90262	118
61	MP487	City of Norwalk		Hermes and Fairford	Norwalk	90650	115
62	MP169	Federal Ice & Cold Storage	4224	District Blvd	Vernon	90058	111
63	MP170	Packers Investments	4215	Exchange Av	Vernon	90058	111
64	MP751	HAYES WHEEL CORP	14500	Firestone Blvd	La Mirada	90638	109
65	R1277	Ultra Pure Water Demineralized	7777	Industry Ave.	Pico Rivera	90660	108
66	MP647	Long Beach Unified School District			Lakewood	90714	108
67	MP172	Square-H Brands Inc.	2731	S Soto St	Vernon	90023	101
68	MP626	KAISER HOSPITAL	9400	Rosecrans Av	Bellflower	90706	101
69	C0034	South Gate Park	4900	Southern Ave	South Gate	90280	100
70	MP1441	DI Industries, Inc			Lynwood	90262	100
71	R0959	Caltrans I-710 & 60 Hwy		I-710 & Hwy 60	Los Angeles		98

Central Basin Municipal Water District
Water Recycling Master Plan
Existing Database (Users Equal and Above 50 AF)
Exhibit B

No.	NAME	USER_NAME	ADDRESS NO.	ADDRESS	CITY	ZIP	TTLAVG AFY
72	MP173	Ameripride Uniform Services	5950	Alcoa Av	Vernon	90058	97
73	MP1299	None	11850	Whittier Blvd	Whittier	90601	97
74	R0663	Obregon Park	4021	E. First Street	Los Angeles	90040	96
75	MP1300	None	12401	Washington Blvd	Whittier	90606	95
76	MP1253	ADP-2			Cerritos	90703	95
77	MP1295	CALTRANS - 91			Cerritos	90703	94
78	MP149	US Filter (Polymetrics)	1700	E 28th St	Signal Hill	90806	92
79	MP174	US Filter Recovery Services	5375	Boyle Av	Vernon	90058	91
80	MP333	Somerset Village	8635	Somerset Blvd	Paramount	90723	85
81	R0755	East Los Angeles Junior College	1301	Brooklyn	Monterey Park	91754	85
82	R0661	City Terrace Park	1126	N. Hazard Avenue	Los Angeles	90040	85
83	MP402	G & K Services	14700	Spring Av	Santa Fe Springs	90670	84
84	MP403	Norwalk 3	14000	Carmenita Rd	Santa Fe Springs	90670	84
85	MP564	City of Bell Gardens	8000	Scout Av	Bell Gardens	90201	84
86	MP1449	Cal Trans			Lynwood	90262	83
87	MP1256	AD-6			Cerritos	90703	83
88	C0110	John Ford Golf Course		Gilliland Ave & Park Lane	Bell Gardens	90201	80
89	C0106	Caltrans I-105 & Lakewood		I-105 & Lakewood Blvd.	Downey	90241	80
90	C0081	Abbot School	5260	E. Clark St.	Lynwood	90262	80
91	MP933	ANDERSON LITHO	3217	Garfield Av	Commerce	90040	80
92	MP336	Century Place Apts	13801	Paramount Blvd	Paramount	90723	75
93	R0772	Fred Nelles School	11850	East Whittier Boulevard	Whittier	90601	75
94	MP178	Cargill-Continental Commodities	2750	Jewel Av	Vernon	90058	74
95	MP404	California Industrial Products	11526	Greenstone Av	Santa Fe Springs	90670	74
96	MP1293	CERRITOS REG CNTY PK		Bloomfield Av & 195th St	Cerritos	90703	73
97	MP489	So. Reception Ctr & Clinic	13200	Bloomfield Av	Norwalk	90650	73
98	MP179	Red Chamber Co.	4510	S Alameda St	Vernon	90058	72
99	MP180	Owens Illinois Inc.	2828	E 50th St	Vernon	90058	72
100	MP634	NORWALK SCH DST	15711	Pioneer Bl	Norwalk	90650	72
101	MP1010	DOWNEY COMMUNITY HOSP	11500	Brookshire Av	Downey	90241	71
102	MP350	Country Club			Paramount	90723	71
103	R0960	Caltrans I-710 & I-10		I-710 & I 10	Monterey Park		70
104	R0721	California Commerce Club	6131	East Telegraph Rd.	Commerce	90040	70
105	MP1249	LIBERTY PARK		Bigelow St & Studebaker Rd	Cerritos	90703	70
106	MP966	GRUMA CORP	5505	Olympic Blvd	East Los Angeles	90022	69
107	MP899	WHIT UNION HI SCH DIST		Mills/Hawes Av	Whittier	90604	69
108	MP971	LA COMM COLLEGE DIS	1301	Avenida Cesar Chavez	East Los Angeles	90022	67
109	MP1252	SPORTS COMPLEX			Cerritos	90703	65
110	MP1444	Dymally Park			Lynwood	90262	64
111	MP911	BEVERLY HOSPITAL	309	W Beverly Blvd	Montebello	90640	62
112	MP1301	None	13507	Earlham Dr	Whittier	90602	62
113	C1086	Excelsior High School		Cheshire St & Pioneer Blvd	Norwalk	90625	61
114	MP483	Los Angeles County Sheriff	11515	Colima Rd	Whittier	90604	61
115	MP1423	Adventist Church			Lynwood	90262	60
116	R1434	Rancho Starbuck School	16430	Woodbrier Dr	Whittier	90604	58
117	MP1454	DV Industries	2605	Industry Wy	Lynwood	90262	58
118	MP181	Pacific Fabric Finishing	3308	Fruitland Av	Vernon	90058	58
119	MP1088	COUNTY OF LOS ANGELES	9150	Imperial Hwy	Downey	90242	57
120	MP1294	CALTRANS - 605			Cerritos	90703	57
121	R1412	La Serna High School	15301	Youngwood Dr	Whittier	90604	57
122	MP405	Norwalk 1			Santa Fe Springs	90670	57
123	MP566	Metal Surfaces Inc.	6060	Shull St	Bell Gardens	90201	57
124	R1415	Summit Group	14831	Whittier Blvd	Whittier	90605	56
125	MP1302	None	15151	Janine Dr	Whittier	90605	56
126	MP1303	None	15301	Youngwood Dr	Whittier	90605	55
127	MP391	Dominguez High School	15301	San Jose Av	Paramount	90723	55
128	MP816	NRWK LM SCHOOL DISTRICT	13520	Adelfa Dr	La Mirada	90638	53
129	MP1438	Goldenberg Group, Inc	11852	S Alameda St	Lynwood	90262	53
130	MP314	Anaplex Corp	15547	Garfield Av	Paramount	90723	53
131	MP395	Paramount Unified School Dist			Paramount	90723	52
132	R0678	Grant Rea Memorial Park	600	Rea Drive	Montebello	90640	52
133	MP396	City of Paramount			Paramount	90723	51
134	MP931	FOSTER WHEELER ENVIRONMENTAL (LANDFILL)	1400	Via Roma	Montebello	90640	51
135	R1005	Caltrans I-605 & Beverly		I-605 & Beverly Blvd	Whittier	90660	50
136	MP1304	None	8500	Villa Verde Dr	Whittier	90605	50
	TOTAL						21,074

Primary SIC Code: 2813 - Industrial Gases

Other SIC Codes: 2819 - Indl Inorganic Chemicals, NEC

2821 - Plastics, Mtrls & Nonvulcanizable
Elastomers

2865 - Cyclic-Crudes, Intermediates,
Dyes & Org Pigments

2869 - Industrial Organic Chemicals,
NEC

ProductDesc: Industrial gases & related equipment; industrial organic & inorganic chemicals

Product(s): CHEMICALS: Inorganic, NEC

CHEMICALS: Organic, NEC

CHEMICALS: NEC

GASES: Indl

[Home](#) | [Logout](#) | [Edit User Info](#) | [Contact Us](#)

[Basic Search](#) | [Advanced Search](#) | [Register / Purchase](#)
[Resources](#) | [About Selectory Online](#) | [About Harris](#) | [Other Products](#)

Primary SIC Code: 7218 - Industrial Launderers

Other SIC Codes: 7213 - Linen Sply

ProductDesc: Rental & laundering of industrial shirts & trousers; all styles of uniforms, coats & coveralls

Product(s): LAUNDRY SVCS: Indl

[Home](#) | [Logout](#) | [Edit User Info](#) | [Contact Us](#)

[Basic Search](#) | [Advanced Search](#) | [Register / Purchase Resources](#) | [About Selectory Online](#) | [About Harris](#) | [Other Products](#)

ProductDesc: Chemical processing, metal finishing, hard anodizing; chromic anodizing

Product(s): ANODIZING SVC

METAL FINISHERS

PLATING SVC: Chrome, Hard

[Home](#) | [Logout](#) | [Edit User Info](#) | [Contact Us](#)

[Basic Search](#) | [Advanced Search](#) | [Register / Purchase](#)
[Resources](#) | [About Selectory Online](#) | [About Harris](#) | [Other Products](#)

1

Harris ID: 9027440 Employment: 400
Company: Anderson Lithograph Co Employment Change%: 0%
Sales Range:
Address: PO Box 919026 Plant Size: 200,000
Los Angeles, CA 90040
Location: 3217 Garfield Ave Year Established: 1951
Cy Of Commerce, CA 90040-3219 Ownership: Private
County: Los Angeles HeadquartersStatus: HQ
Phone: 323-727-7767
Fax: 323-722-2328
800#: 800-727-5846

Personnel: Mr John Fosmire - President

Mr Alan Pemberton - V P Fin

Ms Betty Miyahira - Pers Mgr

Mr Ed Binder - Plant Mgr

Mr Chuck Super - V P Sales

Primary SIC Code: 2752 - Commercial Printing: Lithographic

Other SIC Codes:

ProductDesc: Lithographic printing

Product(s): PRINTING: Lithograph

[Home](#) | [Logout](#) | [Edit User Info](#) | [Contact Us](#)

[Basic Search](#) | [Advanced Search](#) | [Register / Purchase](#)
[Resources](#) | [About Selectory Online](#) | [About Harris](#) | [Other Products](#)

[Home](#) | [Logout](#) | [Edit User Info](#) | [Contact Us](#)

[Basic Search](#) | [Advanced Search](#) | [Register / Purchase](#)
[Resources](#) | [About Selectory Online](#) | [About Harris](#) | [Other Products](#)

1

Harris ID:	9043611	Employment:	50
Company:	Beverly Center	Employment Change%	0%
		Sales Range:	\$5MM-9.9MM
Address:	8500 Beverly Blvd Ste 501 Los Angeles, CA 90048-6277	Plant Size:	0
		Year Established:	1982
		Ownership:	Private
County:	Los Angeles	HeadquartersStatus:	NH
Phone:	310-854-0071		
Fax:	310-854-6376		

Web Address: www.bevcenter.com

Personnel:

Ms Laurel Crary-Globus - Gen Mgr

Ms Evette Caceres - Mktg Mgr

Primary SIC Code: 6512 - Operators of Nonresidential Bldgs

Other SIC Codes:

ProductDesc: Nonresidential building operators

Product(s): BUILDING OWNER-OPERATOR:
Special Events

[Home](#) | [Logout](#) | [Edit User Info](#) | [Contact Us](#)

[Basic Search](#) | [Advanced Search](#) | [Register / Purchase](#)
[Resources](#) | [About Selectory Online](#) | [About Harris](#) | [Other Products](#)

ProductDesc: Education

Product(s): COLLEGES, UNIVERSITIES &
PROFESSIONAL SCHOOLS

[Home](#) | [Logout](#) | [Edit User Info](#) | [Contact Us](#)

[Basic Search](#) | [Advanced Search](#) | [Register / Purchase](#)
[Resources](#) | [About Selectory Online](#) | [About Harris](#) | [Other Products](#)

1

Harris ID:	9034730	Employment:	150
Company:	Braun Linen Service Inc	Employment Change%	0%
		Sales Range:	
Address:	PO Box 348 Paramount, CA 90723-0348	Plant Size:	0
Location:	16514 Garfield Ave Paramount, CA 90723-5304	Year Established:	1929
County:	Los Angeles	Ownership:	Private
Phone:	562-531-3440	HeadquartersStatus:	NH
Fax:	562-531-2050		
800#:	800-272-8657		
Personnel:	Mr R A Cornwell - President Mr Scott Cornwell - Gen Mgr		
Primary SIC Code:	7213 - Linen Sply		
Other SIC Codes:			
ProductDesc:	Linen supply		
Product(s):	LINEN & TOWEL SPLY SVC		

1

Harris ID:	9027860	Employment:	200
Company:	California Industrial Products	Employment Change%	0%
		Sales Range:	
Address:	PO Box 2261	Plant Size:	215,000
	Santa Fe Spgs, CA 90670-0099	Foreign Trade:	Import
Location:	11525 Shoemaker Ave	Year Established:	1953
	Santa Fe Spgs, CA 90670-4612	Ownership:	Private
County:	Los Angeles	HeadquartersStatus:	HQ
Phone:	562-941-3281		
Fax:	562-941-4967		
Personnel:	Mr Ed Allen - President		
	Mr John Fischer - V P Mktg		
Primary SIC Code:	3452 - Bolts, Nuts, Screws, Rivets & Washers		
Other SIC Codes:	3465 - Automotive Stampings		
ProductDesc:	Manufactures spring clips & fasteners, automotive metal fasteners & metal stampings		
Product(s):	FASTENERS		
	STAMPINGS: Automotive		

1

Harris ID:	9130221	Employment:	40
Company:	Cargill Refined Oils	Employment Change%	0%
		Sales Range:	\$5MM-9.9MM
Address:	2750 Jewel Ave Los Angeles, CA 90058-1224	Plant Size:	0
		Year Established:	0
		Ownership:	Private
County:	Los Angeles	HeadquartersStatus:	NH
Phone:	323-588-2274		
Fax:	323-588-9675		
Personnel:	Mr Ron Collins - Br Mgr Ms Heather Holly - Contrlr		
Primary SIC Code:	2077 - Animal, Marine Fats & Oils		
Other SIC Codes:			
ProductDesc:	Manufactures beef shortening		
Product(s):	FOOD PRDTS: Oils & Fats, Animal		

1

Harris ID:	9131970	Employment:	180
Company:	Charleston Textile Inc	Employment Change%	0%
		Sales Range:	\$25MM-49.9MM
Address:	2807 S Santa Fe Ave Vernon, CA 90058-1408	Plant Size:	0
		Year Established:	1994
		Ownership:	Private
County:	Los Angeles	HeadquartersStatus:	NH
Phone:	323-582-1500		
Fax:	323-582-9478		

Personnel: Choon Hwang - President

Mr Chris Cho - Contrlr

Primary SIC Code: 2262 - Silk & Man-Made Fabric Finishers

Other SIC Codes:

ProductDesc: Textile dyeing & finishing services

Product(s): TEXTILE: Finishing, Manmade, Fiber & Silk

[Home](#) | [Logout](#) | [Edit User Info](#) | [Contact Us](#)

[Basic Search](#) | [Advanced Search](#) | [Register / Purchase Resources](#) | [About Selectory Online](#) | [About Harris](#) | [Other Products](#)

1

Harris ID:	9043108	Employment:	1000
Company:	Clougherty Packing Co	Employment Change%	0%
		Sales Range:	\$100MM-499.9MM
Address:	PO Box 58870 Los Angeles, CA 90058-0870	Plant Size:	0
Location:	3049 E Vernon Ave Los Angeles, CA 90058-1800	Year Established:	1945
County:	Los Angeles	Ownership:	Private
		HeadquartersStatus:	NH
Phone:	323-583-4621		
Fax:	323-584-1699		
800#:	800-432-7637		

Personnel: Mr Joseph Clougherty - President
Ms Debbie Foster - Purch Agt
Mr Jim Stephenson - CFO

Mr Peter Auer - Plant Mgr
Mr Reid Delphy - Plant Eng
Mr Tom Clougherty - Mktg Mgr

Primary SIC Code: 2011 - Meat Packing Plants

Other SIC Codes: 5147 - Meats & Meat Prdts
Wholesale

ProductDesc: Meat packing plant; distributes fresh pork products

Product(s): MEAT CUTTING & PACKING

[Home](#) | [Logout](#) | [Edit User Info](#) | [Contact Us](#)

[Basic Search](#) | [Advanced Search](#) | [Register / Purchase Resources](#) | [About Selectory Online](#) | [About Harris](#) | [Other Products](#)

1

Harris ID:	9045427	Employment:	1500
Company:	Downey Community Hospital	Employment Change%	0%
		Sales Range:	\$100MM-499.9MM
Address:	PO Box 7010 Downey, CA 90241-7010	Plant Size:	0
Location:	11500 Brookshire Ave Downey, CA 90241-4990	Year Established:	1922
County:	Los Angeles	Ownership:	
		HeadquartersStatus	NH
		:	
Phone:	562-904-5000		
Fax:	562-904-5309		
Personnel:	Mr Allen R Korneff - President Ms Kathy Bailey - Dir Purch Mr Don Carrico - V P Fin Ms Janet Brooks - Dr Hmn Rs Mr Don H Miller - V P Oprs		
Primary SIC Code:	8062 - General Medical & Surgical Hospitals		
Other SIC Codes:			

ProductDesc: Acute care facility

Product(s): HOSPITALS: Medical & Surgical

[Home](#) | [Logout](#) | [Edit User Info](#) | [Contact Us](#)

[Basic Search](#) | [Advanced Search](#) | [Register / Purchase Resources](#) | [About Selectory Online](#) | [About Harris](#) | [Other Products](#)

1

Harris ID: 9034792 Employment: 68
Company: G & K Services Inc Employment Change% 0%
Sales Range:
Address: 14700 Spring Ave Plant Size: 0
Santa Fe Spgs, CA 90670-5108
Year Established: 1877
Ownership: Public
County: Los Angeles HeadquartersStatus: NH
Phone: 562-921-3505
Fax: 562-921-7660
800#: 800-655-1362
Web Address: www.gkservices.com

Personnel:

Mr Jim Obbink - Gen Mgr

Ms Christine Hahn - Sales
Mgr

Primary SIC Code: 5719 - Home Furnishings
Stores, Misc

Other SIC Codes: 5023 - Home Furnishings
Wholesale

7218 - Industrial Launderers

ProductDesc: Sells, leases & maintains uniform & related textile products--floor mats, dust mops, towels & linens

Product(s): HOME FURNISHINGS
STORES, NEC

[Home](#) | [Logout](#) | [Edit User Info](#) | [Contact Us](#)

[Basic Search](#) | [Advanced Search](#) | [Register / Purchase](#)
[Resources](#) | [About Selectory Online](#) | [About Harris](#) | [Other Products](#)

1

Harris ID:	519876	Employment:	290
Company:	GNB Technologies Inc	Employment Change%	-6%
	Industrial Battery Div	Sales Range:	\$50MM-99.9MM
Address:	2475 W Station St	Plant Size:	287,500
	Kankakee, IL 60901-3080	Foreign Trade:	Export
		Year Established:	1952
		Ownership:	Public
County:	Kankakee	HeadquartersStatus:	NH
Phone:	815-937-6925		
Fax:	815-937-6932		

Headquarters: GNB Technologies Inc
829 Parkview Blvd
Lombard IL 60148-3230
630-629-5200

Personnel:

Mr Ted C Theesfeld - Mtls Mgr
Mr Glen Uthe - Contrlr
Mr Kevin Smith - Oprs Mgr
Mr Brian Springfield - Q C Mgr

Primary SIC Code: 3691 - Storage Batteries

Other SIC Codes: 3692 - Primary Batteries: Dry & Wet

ProductDesc: Large industrial & lead-acid storage batteries

Product(s): BATTERIES: Dry

BATTERIES: Storage

2

Harris ID:	9131709	Employment:	20
Company:	GNB Co	Employment Change%	0%
		Sales Range:	
Address:	713 E 61st St	Plant Size:	0
	Los Angeles, CA 90001-1022	Year Established:	0
		Ownership:	Private
County:	Los Angeles	HeadquartersStatus:	NH
Phone:	323-235-5809		
Personnel:	Mr Jose Reyes - President		
Primary SIC Code:	7389 - Business Svcs, NEC		
Other SIC Codes:			
ProductDesc:	Sewing contractor		
Product(s):	BUSINESS SERVICES, NEC		
	DRAFTING SERVICES		
	SEWING CONTRACTORS		

[Home](#) | [Logout](#) | [Edit User Info](#) | [Contact Us](#)

[Basic Search](#) | [Advanced Search](#) | [Register / Purchase Resources](#) | [About Selectory Online](#) | [About Harris](#) | [Other Products](#)

ProductDesc: Manufactures flat panel lamination, drawer sides, furniture components & point of purchase displays

Product(s): DISPLAYS: Point Of Purchase

FURNITURE PARTS &
FRAMES: Wood

[Home](#) | [Logout](#) | [Edit User Info](#) | [Contact Us](#)

[Basic Search](#) | [Advanced Search](#) | [Register / Purchase Resources](#) | [About Selectory Online](#) | [About Harris](#) | [Other Products](#)

Other SIC Codes: 2096 - Potato Chips & Similar Prdts

ProductDesc: Manufactures tortillas & tortilla chips

Product(s): FOOD PRDTS: Potato & Corn Chips &
Similar Prdts

FOOD PRDTS: Tortillas, Tacos

[Home](#) | [Logout](#) | [Edit User Info](#) | [Contact Us](#)

[Basic Search](#) | [Advanced Search](#) | [Register / Purchase](#)
[Resources](#) | [About Selectory Online](#) | [About Harris](#) | [Other Products](#)

1

Harris ID:	9131887	Employment:	500
Company:	Hayes Wheels International	Employment Change%	0%
		Sales Range:	\$100MM-499.9MM
Address:	14500 Firestone Blvd La Mirada, CA 90638-5913	Plant Size:	0
		Year Established:	0
		Ownership:	Private
County:	Los Angeles	HeadquartersStatus:	NH
Phone:	714-994-0150		
Fax:	714-670-1227		

Personnel:

Mr Armando Pueblos - Dr Hmn Rs
Mr Jesus Bonilla - Plant Mgr

Primary SIC Code: 3714 - Motor Vehicle Parts & Access

Other SIC Codes:

ProductDesc: Manufactures aluminum wheels & brake controls for cars

Product(s): AUTOMOTIVE: Wheels
BRAKES

[Home](#) | [Logout](#) | [Edit User Info](#) | [Contact Us](#)

[Basic Search](#) | [Advanced Search](#) | [Register / Purchase Resources](#) | [About Selectory Online](#) | [About Harris](#) | [Other Products](#)

1

Harris ID:	9129637	Employment:	80609
Company:	Kaiser Foundation Hospital	Employment Change%	0%
		Sales Range:	\$500MM and over
Address:	9400 Rosecrans Ave Bellflower, CA 90706-2200	Plant Size:	0
		Year Established:	1954
		Ownership:	Private
County:	Los Angeles	HeadquartersStatus	NH
		:	
Phone:	562-461-3000		
Fax:	562-461-4587		

Web Address: www.cakaiserpermanente.com

Personnel:

Mr John Gelso - Fin Mgr

Primary SIC Code: 8062 - General Medical & Surgical Hospitals

Other SIC Codes:

[Home](#) | [Logout](#) | [Edit User Info](#) | [Contact Us](#)

[Basic Search](#) | [Advanced Search](#) | [Register / Purchase Resources](#) | [About Selectory Online](#) | [About Harris](#) | [Other Products](#)

Visy Corp. (Proposed Site)
Charleston Tex Inc.
Mayflower Industries
Rose Hills Cemetery
Clougherty Packing Co.
L A Dye & Print Works Inc.
City of Lakewood
Paramount Petroleum Corp
CITY OF MONTEBELLO (GOLF COURSE)
Champion Packing Co.
GNB BATTERIES INC
Montebello Municipal Golf Course
Los Amigos Golf Course
"US NAMSUNG TEXTILE, INC"

ProductDesc: Electroplating-- barrel, rack, continuous passivation & electropolishing

Product(s): PLATING SVC: Electro

[Home](#) | [Logout](#) | [Edit User Info](#) | [Contact Us](#)

[Basic Search](#) | [Advanced Search](#) | [Register / Purchase Resources](#) | [About Selectory Online](#) | [About Harris](#) | [Other Products](#)

1

Harris ID:	9116706	Employment:	200
Company:	Packaging Advantage Corp	Employment Change%	0%
		Sales Range:	\$25MM-49.9MM
Address:	4633 S Downey Rd	Plant Size:	0
	Los Angeles, CA 90058-2590	Year Established:	0
		Ownership:	Private
County:	Los Angeles	HeadquartersStatus:	NH
Phone:	323-589-8181		
Fax:	323-771-1469		
Personnel:	Mr Edward Zolla - President		
	Ms Rose Bourassa - Dir Purch		
	Ms Emerita Celis - V P Fin		
	Ms Gloria Fernandez - Dr Hmn Rs		
	Mr Donald Gordon - V P Mfg		
	Mr Vincent Pisani - V P Sales		
Primary SIC Code:	2844 - Perfumes, Cosmetics & Toilet Preparations		
Other SIC Codes:	2834 - Pharmaceuticals		
	2841 - Soap & Detergents		

ProductDesc: Contract manufacturing; toiletries, pharmaceuticals & household cleaning products

Product(s): PHARMACEUTICALS
SOAPS & DETERGENTS

[Home](#) | [Logout](#) | [Edit User Info](#) | [Contact Us](#)

[Basic Search](#) | [Advanced Search](#) | [Register / Purchase](#)
[Resources](#) | [About Selectory Online](#) | [About Harris](#) | [Other Products](#)

1

Harris ID:	9133033	Employment:	150
Company:	Paramount Petroleum Corp	Employment Change%	0%
		Sales Range:	\$100MM-499.9MM
Address:	14700 Downey Ave Paramount, CA 90723-4526	Plant Size:	0
		Year Established:	0
		Ownership:	Private
County:	Los Angeles	HeadquartersStatus:	NH
Phone:	562-531-2060		
Fax:	562-633-8211		
Personnel:	Mr Scott Lovejoy - CEO Ms Colleen Harris - Gen Mgr		
Primary SIC Code:	2911 - Petroleum Refining		
Other SIC Codes:			
ProductDesc:	Petroleum refining		
Product(s):	REFINING: Petroleum		

[Home](#) | [Logout](#) | [Edit User Info](#) | [Contact Us](#)

[Basic Search](#) | [Advanced Search](#) | [Register / Purchase Resources](#) | [About Selectory Online](#) | [About Harris](#) | [Other Products](#)
[Back to Database Publishing Co.](#)

1

Harris ID:	9139267	Employment:	0
Company:	Red Chamber Co	Employment Change%	0%
		Sales Range:	
Address:	1912 E Vernon Ave Vernon, CA 90058-1611	Plant Size:	0
		Year Established:	0
		Ownership:	Private
County:	Los Angeles	HeadquartersStatus:	NH
Phone:	323-234-9000		
Fax:	323-231-8888		

Personnel: Mr Shan Kou - President

Primary SIC Code: 5142 - Packaged Frozen Foods Wholesale

Other SIC Codes:

ProductDesc: Wholesales frozen seafoods

Product(s): PACKAGED FROZEN FOODS
WHOLESALE

[Home](#) | [Logout](#) | [Edit User Info](#) | [Contact Us](#)

[Basic Search](#) | [Advanced Search](#) | [Register / Purchase Resources](#) | [About Selectory Online](#) | [About Harris](#) | [Other Products](#)

1

Harris ID: 6234835 Employment: 1900

Company: Rockwell International Corp Employment Change% 0%

 World Headquarters Sales Range:

Address: PO Box 4250 Plant Size: 0

 Costa Mesa, CA 92626 Foreign Trade: Import/Export

Location: 600 Anton Blvd # 700 Year Established: 1928

 Costa Mesa, CA 90740-5603 Ownership: Public

County: Orange HeadquartersStatus: PA

Phone: 714-424-4200

Fax: 714-424-4251

Personnel: Mr Don H Davis Jr - CEO

 Mr W M Barnes - V P Fin

 Mr Joel R Stone - V P Hum R

Primary SIC Code: 3714 - Motor Vehicle Parts & Access

Other SIC Codes: 3555 - Printing Trades Machinery & Eqpt

 3728 - Aircraft Parts & Eqpt, NEC

 3679 - Electronic Components, NEC

ProductDesc: Automotive parts, electronic components, aircraft parts & printing presses, automation equipment, avionics, modems, guidance & space surveillance systems

Product(s): AUTOMOTIVE
PARTS, ACCESS &
SPLYS

ELECTRONIC
COMPONENTS, NEC

AUTOMOTIVE &
TRUCK PARTS:
Electronic

AIRCRAFT PARTS &
AUXILIARY EQPT,
ELECTRONIC

PRESSES: Printing

[Home](#) | [Logout](#) | [Edit User Info](#) | [Contact Us](#)

[Basic Search](#) | [Advanced Search](#) | [Register / Purchase](#)
[Resources](#) | [About Selectory Online](#) | [About Harris](#) | [Other Products](#)

1

Harris ID:	9047101	Employment:	125
Company:	Shaw Industries	Employment Change%	0%
		Sales Range:	\$25MM-49.9MM
Address:	11411 Valley View St Cypress, CA 90630-5368	Plant Size:	0
		Year Established:	1989
		Ownership:	Private
County:	Orange	HeadquartersStatus:	NH
Phone:	800-233-1614		
Fax:	562-799-7513		
800#:	800-233-1614		

Personnel:

Mr Don Laymer - Gen Mgr

Primary SIC Code: 2273 - Carpets & Rugs

Other SIC Codes: 5023 - Home Furnishings Wholesale

ProductDesc: Manufactures & distributes carpets & rugs

Product(s): CARPETS, RUGS & FLOOR COVERING

[Home](#) | [Logout](#) | [Edit User Info](#) | [Contact Us](#)

[Basic Search](#) | [Advanced Search](#) | [Register / Purchase Resources](#) | [About Selectory Online](#) | [About Harris](#) | [Other Products](#)

1

Harris ID:	9098949	Employment:	150
Company:	Square-H Brands Inc	Employment Change%:	0%
		Sales Range:	\$25MM-49.9MM
Address:	PO Box 58623 Los Angeles, CA 90058-0623	Plant Size:	0
Location:	2731 S Soto St Los Angeles, CA 90023-4226	Year Established:	1937
		Ownership:	Private
County:	Los Angeles	HeadquartersStatus:	NH
Phone:	323-267-4600		
Fax:	323-261-7350		
800#:	800-424-4633		

Personnel: Mr Henry Hascell - President
Mr Louie Velsco - Plt Spvr

Primary SIC Code: 2013 - Sausages & Meat Prdts

Other SIC Codes:

ProductDesc: Processes pork, sausage, ham & bacon

Product(s): MEAT PROCESSED FROM
PURCHASED CARCASSES
MEAT PRDTS: Sausage

[Home](#) | [Logout](#) | [Edit User Info](#) | [Contact Us](#)

[Basic Search](#) | [Advanced Search](#) | [Register / Purchase Resources](#) | [About Selectory Online](#) | [About Harris](#) | [Other Products](#)

Other SIC
Codes: 3564 - Blowers & Fans

ProductDesc: Manufactures activated carbon & equipment for water, air & odor pollution control

Product(s): AIR CLEANING &
PURIFYING EQPT & SYSTS

CARBON: Activated

POLLUTION CONTROL
EQPT

[Home](#) | [Logout](#) | [Edit User Info](#) | [Contact Us](#)

[Basic Search](#) | [Advanced Search](#) | [Register / Purchase](#)
[Resources](#) | [About Selectory Online](#) | [About Harris](#) | [Other Products](#)

1

Harris ID:	9036642	Employment:	335
Company:	Whittier College	Employment Change%	0%
		Sales Range:	\$10MM-24.9MM
Address:	PO Box 634 Whittier, CA 90608-0634	Plant Size:	0
Location:	13406 Philadelphia St Whittier, CA 90601-4413	Year Established:	1887
County:	Los Angeles	Ownership:	Private
		Headquarters Status:	NH
Phone:	562-907-4200		
Fax:	562-907-4987		
Personnel:	Mr James L Ash Jr - President Ms Joann Hankin - V P Fin		
Primary SIC Code:	8221 - Colleges, Universities & Professional Schools		
Other SIC Codes:			
ProductDesc:	Education		
Product(s):	COLLEGES, UNIVERSITIES & PROFESSIONAL SCHOOLS		

[Home](#) | [Logout](#) | [Edit User Info](#) | [Contact Us](#)

[Basic Search](#) | [Advanced Search](#) | [Register / Purchase Resources](#) | [About Selectory Online](#) | [About Harris](#) | [Other Products](#)

Technical Memorandum No. 2
Exhibit "A"

Technical Memorandum No. 2
Exhibit "B"

Technical Memorandum No. 2
Exhibit "C"

SECTION II

CENTRAL BASIN MUNICIPAL WATER DISTRICT RECYCLED WATER MASTER PLAN

TECHNICAL MEMORANDUM NO. 2 – DATABASE DEVELOPMENT

The District's existing database which contains existing and potential recycled water customers was downloaded into an Access 98 database. The outline for the new database was reviewed by District staff and the format was completed based on the District's comments. The major information fields are Summary Information, Contact Information, Economic Evaluation, Site Information, and Site Evaluation Status.

At the introduction sheet of the Access database, four major reports can be generated and new customers can be inputted directly into the database. The four major reports include a report by customer identification number, by Board Member, by purveyor, and by local City.

Attached in Exhibit A are three reports generated by the customer identification number and include Tuflex Industries, MSH-Cogeneration Facilities, and Robertson's Ready Mix. Attached in Exhibit B and C is the complete printout of the CBMWD database produced in a report by City and Purveyor respectively. The report generated by City and Purveyor included the following fields. Customer identification number, customer name, potential or existing customer identification, projected connection date, total average demand (AFY), total peak demand (gpm), and future demand (AFY).

Report By City (CENTRAL BASIN)

No	City	No of Customers
1	Artesia	5
2	Bell	4
3	Bell Gardens	29
4	Bellflower	97
5	Cerritos	76
6	Commerce	56
7	Compton	15
8	County of L.A.	14
9	Cudahy	6
10	Downey	137
11	East Los Angeles	30
12	Huntington Park	6
13	La Habra Heights	6
14	La Mirada	114
15	Lakewood	10
16	Long Beach	3
17	Lynwood	41
18	Montebello	54
19	Norwalk	78
20	Paramount	89
21	Pico Rivera	171
22	Santa Fe Springs	123
23	Signal Hill	4
24	South Gate	6
25	Vernon	125
26	Whittier	244
27	Unknown	14
	Total	1557

Report By Purveyor (CENTRAL BASIN)

No	City	No of Customers
1	Bells Gardens, City of	6
2	Bellflower-Somerset Mutual Water Co.	86
3	California American Water Co.	1
4	California Water Service Co. - East LA	60
5	Cerritos, City of	65
6	Commerce, City of	15
7	Compton, City of	4
8	County Water Co.	1
9	Downey, City of	127
10	Huntington Park, City of	4
11	La Habra Heights County Water District	7
12	Lakewood, City of	5
13	Long Beach, City of	4
14	Los Angeles County Rancho Los Amigos	3
15	Los Nietos Mutual Water Co.	1
16	Lynwood, City of	38
17	Maywood Mutual Water Company No. 2	1
18	Maywood Mutual Water Company No. 3	2
19	Montbello Land and Water Co.	18
20	Montebello, City of	2
21	Norwalk, City of	19
22	Orchard Dale Water District	9
23	Paramount, City of	87
24	Park Water Co.	69
25	Peerless Water Co.	1
26	Pico Rivera, City of	54
27	Pico Water District	113
28	San Gabriel Valley Wtr. Co. - Montebello	4
29	San Gabriel Valley Wtr. Co. - Whittier	23
30	Santa Fe Springs, City of	114
31	Signal Hill, City of	5
32	South Gate, City of	7
33	South Montebello Irrigation District	8
34	Southern California Water Co. (SCWBELL)	22
35	Suburban Water Systems	207
36	Tract 180 Mutual Water Co.	3
37	Tract 349 Mutual Water Co.	1
38	Vernon, City of	125
39	Whittier, City of	123
40	Outside Service Area	9
41	Unknown	15
Total		1468

SECTION III

CENTRAL BASIN MUNICIPAL WATER DISTRICT RECYCLED WATER MASTER PLAN

TECHNICAL MEMORANDUM NO. 3 – POTENTIAL INTERCONNECTIONS

As part of the master plan study, the conceptual pipeline routing and interconnections with other recycled water systems was investigated. As part of this analysis, the possibility of service from the Central Basin Recycled Water System into other service areas such as the San Gabriel Valley Recycled Water System and the Long Beach Recycled Water System were investigated. This technical memorandum addresses the issues and concerns, as well as the potential for interconnections with these other recycled water systems. For each potential interconnection or service outside CBMWD there are specific recommendations for consideration. Figure 3-1 illustrates the conceptual layout of pipelines necessary to service these areas.

SERVICE INTO THE SAN GABRIEL VALLEY

Located immediately north of the Rio Hondo Pumping Station is the Whittier Narrows area of the Upper San Gabriel Valley Municipal Water District. In July 1996, a draft report was prepared by the District's consultants to investigate reclaimed water sites receiving water from the Los Angeles County Sanitation District's San Jose Creek Water Reclamation Plant. In this study, three primary customers were identified with an estimated demand of 249 acre-feet per year (AFY). The three potential customers are the Rio Hondo College, Normans Nursery and Bicentennial Park. They have expressed their interest in writing to the Upper District. On a preliminary basis, water quality and pressure out of the Rio Hondo Pump Station would be suitable for service. With projected capital costs of approximately \$1 million, it is possible to work out institutional agreements with Upper District that could be cost effective to both entities. The pipeline routing to these customers would allow for a portion of the Rose Hills Cemetery to be included. This is an additional use of up to 1500 AFY.

Recommendation: Due to the proximity to the Rio Hondo Pump Station and the relative ease of constructing pipelines to the north into the Upper District's service area, a concept layout needs to be finalized and discussions with Upper District initiated.

SEVICE INTO THE CITY OF LONG BEACH

During the initial planning and construction phases of the Central Basin Recycled System, a pipeline was planned and constructed in Downey Avenue in the City of Paramount for a future interconnection with the Long Beach Recycled Water System. Recent discussions with the City of Long Beach Water Department has indicated that two major customers south of the 91

SECTION III

Technical Memorandum No. 3

Freeway, adjacent to Cherry Avenue, could be served by extending the system southerly. These customers include a refinery and ready-mix concrete plant. Other customers in the vicinity could be added as well. The most difficult obstacle is the crossing of the 91 Freeway, which could conceptually be constructed in the underpass at Paramount Boulevard. The preliminary estimate of use at these facilities is 230 AFY and a preliminary concept layout indicates a construction cost of approximately \$1 million. Water to these potential customers would come from the Los Angeles County Sanitation District's Los Coyotes Plant, which should be suitable in both pressure and water quality.

Recommendation: It is recommended that the concept plan be further developed relating to routing, customer use and cost. Discussions should begin with staff from the Long Beach Water Department.

INTERCONNECTION WITH THE WEST BASIN RECLAMATION SYSTEM

In the initial planning with the Central Basin and West Basin Reclamation Systems, an interconnection was conceptually conceived based on supply, pressure and reliability mutual benefits. As the systems have developed, there appears to be a beneficial potential for an interconnection from the Central Basin System to the northeast section of the Carson service area in West Basin. By oversizing the planned Pico Loop in Central Basin along with some other system improvements and constructing a pipeline in the Alameda Corridor to Carson, there would be a source of economical, reliable and high quality water from the San Jose Creek Water Reclamation Plant for use along the Alameda Corridor and a number of industrial customers in Carson.

The master planning effort for the Carson area, by West Basin's consultants, indicates approximately 5,000 AFY demand, principally dye houses, in the northeast corner of the Carson study area. This is the area that is south of the 91 Freeway, close to the alignment along the Alameda Corridor. A concept for a pipeline from the South Gate/Lynwood area of Central Basin to Carson has been developed. A new pipeline between 16 and 20 inches in diameter would need to be constructed about 4 miles in length. The cost of this interconnection, exclusive of the Pico Loop and improvements within the Central Basin Project are between \$4 and \$4.5 million. This would provide a significant amount of capacity into West Basin at a relatively low cost per acre-foot and be beneficial due to the lack of pumping necessary to transport the water, the high quality of the water from the San Jose Creek Reclamation Plant, and cost avoidance of new West Basin treatment capacity.

Recommendation: As the potential benefits and advantages of this interconnection will rely largely on the final development of the master planning aspects of both Central Basin and West Basin. Issues such as avoided cost and incremental cost need to be evaluated in order to demonstrate benefits to both Districts. However, on an initial basis, the existing capacity of the

SECTION III
Technical Memorandum No. 3

Rio Hondo Pump Station and necessary needs within the Central Basin system seem to warrant a further investigation of exporting a significant amount of recycled water to customers in the Carson area.

CONCLUSIONS

As shown in Figure 1, the existing infrastructure of the Central Basin Recycled Water System is such that along with existing customers adjacent to existing pipelines in the District, service to Upper District and Long Beach could be readily accomplished with pipeline extensions. The addition of between 600 and 2000 AFY at a cost of approximately \$2 million should be investigated. The larger interconnection investigated to the West Basin Municipal Water District Reclamation System, while seemingly beneficial, leaves many details and questions unanswered at this time. Most significantly are the cost and details of constructing the Pico Loop within the Central Basin System and the ability to put a pipeline in the Alameda Corridor.

The economic and water supply issues of this interconnection appear to be positive and should be investigated thoroughly as they impact details of both master plans (Central Basin and West Basin Municipal Water Districts).

SECTION IV

CENTRAL BASIN MUNICIPAL WATER DISTRICT RECYCLED WATER MASTER PLAN

TECHNICAL MEMORANDUM NO. 4 – CONCEPTUAL PIPELINE ROUTING

Prior to initiating this master plan, the District and their consultants performed planning studies along the Century Freeway (I-105), the Rio Hondo Area and sub-studies for the cities of Vernon, Commerce, Pico Rivera, Montebello and others. In addition, water purveyors assisted in reclamation planning of Whittier, Santa Fe Springs, South Gate, Norwalk, and Lynwood. Initially, the compilation of data by the District staff and others was completed and concept layouts with a customer base was developed. This effort was substantially completed by the District and compiled and reviewed by the District's consultants for this master plan. The database effort designed in other technical memoranda produced approximately 1,500 additional potential customers that have been added to the "base map".

Finally, with portions of the systems constructed and a preliminary design completed through Pico Rivera to the existing system in Bell Gardens and Downey, a considerable portion of the Central Basin piping system for the recycled project is in place. As such, this technical memorandum evaluates the potential alignments previously prepared based on the new potential customer data and possibility for interconnections with other districts.

PIPELINE ROUTING APPROACH/CRITERIA

A number of factors were considered in the routing of proposed pipelines. In general, the alignment seeks to maximize the connections to a number of potential customers and terminate at site of a major customer, generally 50 AFY (acre-feet per year). Other factors include ease of construction due to the condition of the right-of-way roads, depth of pavement, vehicle traffic pattern, and other factors. Concept routing of pipelines is used in planning for prioritization of construction and identifying a phasing plan. Where there are existing pipelines, the routing is an extension of an existing line or in some cases connection for a looped affect for reliability of source and other hydraulic considerations. While the Central Basin Master Plan for Water Recycling will have multiple phases, an emphasis has been placed on the first two phases and their respective sub-phases as these are the most significant for both increasing the customers and economic benefits. For concept routing for phases that are judged to be in the future, in a year or years, the concept level is sufficient for planning purposes. It is assumed that final design of the phases and sub-phases will involve some modifications of the alignments and in some cases pipe sizing.

The initial concept level routing for the District existed before the initiation of this master planning effort. Accordingly, changes, addition, and modifications to this concept with some

SECTION IV

Technical Memorandum No. 4

constraints, including existing pipelines and pipelines under design. These changes, additions, and modifications are also influenced by the magnitude of customers in various areas and the further possibility of service to agencies outside of the District. The concept level piping system will be used in determining the phases and sub-phases for implementation.

DISCUSSION OF PIPELINE ROUTING SYSTEM

With two sources of supply (Cerritos and Rio Hondo Pumping Stations) and an existing piping system, many of the variables are fixed. In addition, a portion of the pipeline through Pico Rivera, referred to as the Pico Loop, is under final design. Accordingly, this pipeline routing effort examined improvements to these systems and possible changes to those previously studied. Initially, there was a need to examine service to the Montebello Municipal Golf Course which was originally planned as part of the Montebello and Commerce Loops. A mini-study was completed in September 1999 with changes recommended in the initial pipeline routing for the Pico Loop and over to the golf course using West Lincoln Avenue. There was also the possibility of a reservoir lease from California Water Services Company. This alignment would allow for a branch to drop down from West Lincoln Avenue across Beverly Boulevard to service 5 or 6 smaller customers and a branch to go northeast of the golf course to a landfill. Future connections could be made to complete a loop over to Vernon and down through Commerce. The loops and modification to Montebello are shown in Figure 7-3. The final design effort will revisit the sizing and exact routing of some of these loops.

In our review of the Pico Loop, four different alternatives were developed relating to potential customers. Alternative 1 is the design in progress with a minor modification for the Montebello line as shown in Figure 7-3. New 18-inch pipe would connect Pico Rivera to the existing pipe in Bell Gardens with an 18-inch connection in South Gate. Alternatives 2, 3 or 4 expand this system (increase pipe size and flow capacity) to accommodate significant additional customers in Central Basin and West Basin Municipal Water Districts. Table 4-1 summarizes these details.

Timing is essential as this is a customer driven analysis and the magnitude and service requirements of customers very much drive the routing and timing of connections. Also shown in this figure are additional facilities necessary to affect performance of the system. With the loss of the reservoir and pump station in Santa Fe Springs, a new 4 MG reservoir is proposed at the Rio Hondo Pump Station. This is the first phase of storage at the facility, based on a previous plan. As previously mentioned, an additional 1 to 2 MG storage at the California Water Service Company site could be beneficial as the system progresses into Vernon and Commerce. A pressure regulating station is proposed on the southern end of the Pico Loop. A reservoir in the vicinity of the Los Amigos Golf Course is recommended to provide regulating storage downstream of the pressure reducing station and the Pico Loop and possible large customers in South Gate as customers develop. A pressure reducing station on the 24-

SECTION IV

Technical Memorandum No. 4

inch line south of Martin Luther King Jr. Boulevard, on the main loop, would be necessary in the future to regulate flows between the Cerritos and Rio Hondo Pumping Stations. Similarly on the east end of the facility in Whittier, a future loop will require a pressure reducing valve (PRV) to regulate between the hydraulic pressure zones. These facilities are conceptually shown on Figure 7-3.

CBMWD - RECYCLED WATER MASTER PLAN
PICO LOOP ALTERNATIVES
TABLE 4-1

Alternative	Description	AFY	Pipe (ft)	Pipe Size (in)	Cost (\$/L.F.)	Estimated Costs (\$1000's)
1	Pico Loop -Minimum	1,160	33,400	18	165	\$6,295
			4,750	18	165	(\$5,427/AFY)
2	Pico Loop - Plus two Large Services in Commerce and South Gate	9,220	33,400	30	200	\$7,464
			4,750	18	165	(\$810/AFY)
3	Pico Loop - Plus two Large Services (Commerce and South Gate), Plus 4000 AFY to WBMWD	13,220	33,400	30	200	\$13,914
			4,750	18	165	(\$810/AFY-CB)
			18,000	16	125	(\$1613/AFY-WB)
			24,000	20	175	
4	Pico Loop - Plus two Large Services (Commerce and South Gate), Plus 8000 AFY to WBMWD	17,220	33,400	36	240	\$15,490
			4,750	18	165	(\$810/AFY-CB)
			18,000	16	125	(\$1003/AFY-WB)
			24,000	24	185	

Technical Memorandum No. 5
Exhibit "A"

Technical Memorandum No. 5
Exhibit "B"

SECTION V

CENTRAL BASIN MUNICIPAL WATER DISTRICT RECYCLED WATER MASTER PLAN

TECHNICAL MEMORANDUM NO. 5 – HYDRAULIC MODELING

The engineering evaluation was conducted by modeling each of the Phases I through IV with H2ONet. This modeling software runs as a module to AutoCAD 14. In general, the links (pipes) and nodes are drawn in AutoCAD. H2ONet creates and manages databases to store the input information such as pipe diameters, pipe lengths, loss coefficients, node demands, and other operating parameters. The model was provided by the District and was updated using the engineering criteria described in Technical Memorandum No. 6. H2ONet uses this input information to generate hydraulic results

The potential customer demand by phases was modified to include the H2O Net model identification number for each customer. See Exhibit “A” for the summary list. For each Phase, the model was run under two demand conditions: night demands and day demands. Night delivery demands and day delivery demands for each Phase are itemized in Exhibit “B”.

NIGHT DEMANDS

It was assumed that all customers irrigated at night. For most customers, night demands are therefore equivalent to the peak delivery demands, as defined in Technical Memorandum No. 6. Peak delivery demands were based on a 9-hour irrigation cycle during the driest, warmest month. Most golf courses have on-site storage from which irrigation water is pumped. For these customers, the recycled water system need only provide the peak day flow rates over a 24-hour period. Therefore, for golf courses only, the night demand is equivalent to the peak day demands, as defined in Technical Memorandum No. 6.

DAY DEMANDS

Day demands consist of flows required to fill reservoirs, golf course ponds, Caltrans and supply industrial sites on the peak day demand. Peak delivery demands were based on a 15-hour supply cycle. For these customers, the recycled water system need only provide the peak day flows rates over a 24-hour period.

PIPELINE DIAMETERS

For each Phase, pipeline diameters were confirmed and adjusted as necessary based upon the demand. Pipe diameters were also modified such that the velocities will not exceed 5-7 feet per

SECTION V

Technical Memorandum No. 5

second. For long stretches of transmission pipeline, the velocities were kept near the lower end of the velocity range. In some short segments the velocity may exceed 7 feet per second.

PUMP STATIONS

For this Master Plan, the Rio Hondo Pump Station and Cerritos Pump Station were modeled from existing pumping condition and standard pump curves. The horsepower settings for pump stations were adjusted during analysis to meet the pressure criteria of 60 pounds per square inch (psi). Rio Hondo Pump Station was modified in order to meet delivery demands for the downstream customers.

STORAGE RESERVOIRS

Storage tanks were modeled as infinitely large reservoirs for the purpose of draw and fill. Therefore, tank capacities were not important for the hydraulic model, though it was determined for cost analysis. The primary reservoir (Rio Hondo Reservoir) for the recycled water system is to be located next to the Rio Hondo Pump Station and replace the Santa Fe Springs Reservoir. This Rio Hondo Reservoir would be required in Phase I.

The second reservoir required is the Montebello Reservoir located east of Montebello Country Club. For the purpose of modeling, it was assumed that the reservoir would be at an elevation of 150 feet for filling and 145 feet for draining. It was assumed that Montebello Country Club would have some on-site storage. Based on this assumption, the reservoir elevations would only need to be sufficient to provide recycled water to the golf course at the day delivery demand, and pressures required for operations of sprinklers at the golf course would be provided by on-site pumps.

For the purpose of estimating cost of the facilities, the Montebello Reservoir was assumed to be leased from California Water Service Company and the Rio Hondo Reservoir was considered to be 2/3 of the total peak day demand. This is based on the assumption that the reservoir must supply all of the night delivery demand during an eight-hour period. Though a nine-hour period was used for modeling purposes and subsequent sizing of pipelines and pump stations, using an eight-hour period for sizing of reservoirs adds a safety factor for inaccuracies in the draw and fill cycles.

ANALYSIS SEQUENCE

In general, for each Phase, the model was first run at night demand conditions. All pipelines and pump stations were sized to meet the engineering criteria at these conditions. Then the

SECTION V

Technical Memorandum No. 5

model was run at day conditions to make sure that transmission pipelines were sufficiently sized for filling of storage reservoirs.

FACILITY REQUIREMENTS

The facility requirements were derived from the system model hydraulic results. The facilities for each scenario are briefly described below. The sizes and quantities of these facilities are detailed in Figure 5-1 and Exhibit “A”. The hydraulic model results are included in Exhibit A.

Phase I

Phase I assumes use of the Santa Fe Springs Reservoir and Pump Station all be discontinued, includes a new 4-MG Rio Hondo Reservoir next to the Rio Hondo Pump Station and approximately 55,000 lineal feet of pipe. No other facilities would be required. Phase I is illustrated in Figure 7-1.

Phase II

Phase II assumes the Phase I improvements are completed and involve the installation of a new pump at the Rio Hondo Pump Station and a pressure regulator north of Los Amigos Golf Course. In addition, Phase II included approximately 61,500 lineal feet of pipe. No other facilities would be required. Phase II is illustrated in Figure 7-2.

Phase III

Phase III requires a Montebello Reservoir and a pressure regulator south of Hollydale School. In addition, Phase III included approximately 105,000 lineal feet of pipe. No other facilities would be required. Phase III is illustrated in Figure 7-3.

Phase IV

Phase IV requires all facilities improvements of Phase III as well as a pressure regulator in Phase IVA – Whittier Unit. Phase IV involves the installation of approximately 188,000 lineal feet of pipe. Phase IV is illustrated in Figure 7-4.

Central Basin Municipal Water District
Water Recycling Master Plan
Potential Customer Demand with H2O Model Identification Number
Exhibit A

	Recycled Water Consumption ⁽¹⁾			Phase	H2ONET_ID	
	Annual Average	Max. Day ⁽²⁾	Peak Hour ⁽²⁾			
Customer	(AFY)	(gpm)	(gpm)	(gpm)		
Rose Hills Cemetery	600	372	1,004	2,143	1-A	3300
Franklin School	17	11	28	61	1-B	3109
Guirado Park	7	4	12	25	1-B	3109
West Whittier Elementary School	9	6	15	32	1-C	3107
Nelson School	5	3	8	18	1-D	6060
Pioneer High School	10	6	17	36	1-D	6060
Triangle Dist. Co.	9	6	15	32	1-E	3040
All Pure Chemical Co.	19	12	32	68	1-E	3050
Crockett Container Corporation	40	25	67	143	1-E	3050
Thacker Container Co.	11	7	18	39	1-E	3050
Air Products & Chemical	254	157	425	907	1-E	3055
Associated Plating Co.	7	4	12	25	1-E	3055
Liquid Air	30	19	50	107	1-E	3055
Rich Products Inc.	8	5	13	29	1-E	3055
U.S. Gypsum	135	84	226	482	1-E	6064
City of Norwalk	8	5	13	29	1-F	1202
Lakeside Park	11	7	18	39	1-F	1202
SEAACA	14	9	23	50	1-G	1090
ASST READY MIXED CONCR	6	4	10	21	1-G	1096
CITY - NORWALK	12	7	20	43	1-G	1098
Westside Park	14	9	23	50	1-G	1098
KIRKHILL MFG	6	4	10	21	1-H	1096
STOROPACK CO	13	8	22	46	1-H	1096
STOROPACK CO	10	6	17	36	1-H	1096
UNITED DRILL BUSHING	15	9	25	54	1-H	1100
Norwalk Car Wash	20	12	33	71	1-I	1660
Norwalk Toyota	7	4	12	25	1-I	1660
Anna Glazier Park	15	9	25	54	1-J	1714
Anna Glazier School	15	9	25	54	1-J	1714
NORWALK SCH ELM	18	11	30	64	1-J	1720
NORWALK SCH DST	23	14	39	82	1-K	1345
NORWALK SCH DST	40	25	67	143	1-K	1346
Excelsior High School	40	25	67	143	1-K	1755
So. Reception Ctr & Clinic	73	45	122	261	1-L	1334
Southern Reception Center	30	19	50	107	1-L	1334
Thomas Moffit School	11	7	18	39	1-L	1334
Norwalk Park	25	16	42	89	1-L	1341
Walnut Elementary School	12	7	20	43	1-L	1342
Nettie Waite Elementary School	25	16	42	89	1-L	1343
Earl Edmonston School	10	6	17	36	1-L	1345
Holifield Park	17	11	28	61	1-L	1346
John Dolland School	19	12	32	68	1-L	1346
NORWALK SCH DST	12	7	20	43	1-L	1740
NORWALK SCH DST	11	7	18	39	1-L	1755
DOWNEY UNIFIED SCHOOL	15	9	25	54	1-M(2-A)	2472
DOWNEY UNIFIED SCHOOL	39	24	65	139	1-M(2-A)	2472
Griffith Elementary School	16	10	27	57	1-M(2-A)	2472

Central Basin Municipal Water District
Water Recycling Master Plan
Potential Customer Demand with H2O Model Identification Number
Exhibit A

	Recycled Water Consumption ⁽¹⁾			Phase	H2ONET_ID	
	Annual Average	Max. Day ⁽²⁾	Peak Hour ⁽²⁾			
Customer	(AFY)	(gpm)	(gpm)	(gpm)		
Price Elementary School	16	10	27	57	1-M(2-A)	2472
Furman Park	30	19	50	107	1-M(2-A)	2474
Rio Hondo Elementary School	20	12	33	71	1-M(2-A)	2476
PALM GROWERS INC.	19	12	32	68	1-P	1080
CERTIFIED PLANT	6	4	10	21	1-P	1090
VISCARA NURSERY	6	4	10	21	1-P	1090
STOROPACK CO	22	14	37	79	1-P	1096
Columbus High School	33	20	55	118	1-P	1100
DI LORETO ENTERPRISES	7	4	12	25	1-P	1100
DOWNEY UNFD WOODRUFF	25	16	42	89	1-P	1100
MANUFACTURES WRE	8	5	13	29	1-P	1100
MERRIFIELD, RL	13	8	22	46	1-P	1100
UNITED DRILL BUSHING	23	14	39	82	1-P	1100
DAILY SAW SERVICE	6	4	10	21	1-P	1110
DOWNEY UNIFIED SCHOOL	12	7	20	43	1-P	1110
AMUSEMENT INDUSTRY INC	6	4	10	21	1-P	1130
DOWNEY UNIF SCHL DIST	24	15	40	86	1-P	1140
DOWNEY UNIFIED SCHOOL	21	13	35	75	1-P	1140
Paradise Memorial Park	20	12	33	71	1-P	1220
Insignia Commercial GRP	9	6	15	32	1-P	1231
So. California Prop. Inc.	15	9	25	54	1-P	1235
Whittier Union High School District	20	12	33	71	1-P	1235
Hathaway 1, LLC	7	4	12	25	1-P	1240
Little Lake Cemetery	23	14	39	82	1-P	1260
Transit Mixed Concrete Co.	18	11	30	64	1-P	1270
Grainger / PM 19973	5	3	8	18	1-P	1280
Investment Dev. Serv. Business Park	15	9	25	54	1-P	1280
TCW Realty Advisors	9	6	15	32	1-P	1280
Villa Santa Fe Apartments	8	5	13	29	1-P	1280
Powerline	8	5	13	29	1-P	1285
California Industrial Products	74	46	124	264	1-P	1300
Conway Western Express	16	10	27	57	1-P	1300
Inland Container Corp.	18	11	30	64	1-P	1300
S.S. Dyeing	23	14	39	82	1-P	1300
BJ Svcs. Co.	7	4	12	25	1-P	1310
Standard Precision, Inc.	11	7	18	39	1-P	1320
CALIF GOLF CNTR	32	20	54	114	1-P	1330
Norwalk Golf Course	27	17	45	96	1-P	1330
NORWALK SCH-HAR	20	12	33	71	1-P	1333
Southern Reception Center	46	29	77	164	1-P	1334
City of Norwalk	18	11	30	64	1-P	1336
LA County Public Library	9	6	15	32	1-P	1336
Norwalk Civic Center	17	11	28	61	1-P	1336
MSH - Cogeneration Facility	200	124	335	714	1-P	1338
Allstar Inns	11	7	18	39	1-P	1370
Orange County Nursery	10	6	17	36	1-P	1370
Wintime Ltd.	10	6	17	36	1-P	1370

Central Basin Municipal Water District
Water Recycling Master Plan
Potential Customer Demand with H2O Model Identification Number
Exhibit A

	Recycled Water Consumption ⁽¹⁾			Phase	H2ONET_ID	
	Annual Average	Max. Day ⁽²⁾	Peak Hour ⁽²⁾			
Customer	(AFY)	(gpm)	(gpm)	(gpm)		
Formosa Dyeing	60	37	100	214	1-P	1380
G & K Services	84	52	141	300	1-P	1380
Burke Industries	17	11	28	61	1-P	1390
Frigid Coil/Frick Inc.	9	6	15	32	1-P	1390
Stone Container Corp	8	5	13	29	1-P	1390
ALCHEM PLASTICS INC	7	4	12	25	1-P	1410
VALLEY VIEW BUSSINESS CENTER	6	4	10	21	1-P	1410
Lederman Bros	11	7	18	39	1-P	1420
Jersey Ave School	13	8	22	46	1-P	1430
Los Nietos Park	20	12	33	71	1-P	1430
Rancho Santa Gertrudes School	14	9	23	50	1-P	1430
Santa Fe Springs Athletic Fields	47	29	79	168	1-P	1430
City of Santa Fe Springs	7	4	12	25	1-P	1440
Neighborhood Center (Santa Fe Spgs)	5	3	8	18	1-P	1440
DUKE PROPERTIES	6	4	10	21	1-P	1502
MKT FIX UMLMTD INC	25	16	42	89	1-P	1504
CITY - BELLFLOWER	8	5	13	29	1-P	1510
St. John Bosco High School	35	22	59	125	1-P	1510
DOWNEY UNIFIED SCHOOL	19	12	32	68	1-P	1530
TRI-CITY MOBIL	6	4	10	21	1-P	1550
Ward Elementary School	25	16	42	89	1-P	1560
St Francis Hospital	141	87	236	504	1-P	1580
COUNTY OF LOS ANGELES	57	35	95	204	1-P	1595
DOWNEY UNIFIED SCHOOL	6	4	10	21	1-P	1595
Imperial Manor	46	29	77	164	1-P	1660
Norwalk High School	44	27	74	157	1-P	1670
Senior Home	11	7	18	39	1-P	2065
BELLFLWR UNI SCH	11	7	18	39	1-P	2090
Somerset Village	55	34	92	196	1-P	2120
American Mobile Home Park	41	25	69	146	1-P	2150
ABC Nursery/Paramount	40	25	67	143	1-P	2250
Banana Dills Park	30	19	50	107	1-P	2280
California Mobile Home	40	25	67	143	1-P	2280
White Flower Nursery	20	12	33	71	1-P	2300
Hollydale School	30	19	50	107	1-P	2360
Pacific Nursery	40	25	67	143	1-P	2390
Pacific Alloy Casting, Inc.	10	6	17	36	1-P	2430
SANTA'S FORREST XMAS	6	4	10	21	1-P	2430
Metal Surfaces	85	53	142	304	1-P	2448
Metal Surfaces Inc.	57	35	95	204	1-P	2448
MUSD Adult Education	7	4	12	25	1-P	2470
CITY OF DOWNEY/GOLF	6	4	10	21	1-P	2473
ABC Rhubarb Farms & Herbs	12	7	20	43	1-P	2480
Bell Gardens Soccer Field	15	9	25	54	1-P	2480
PARK MEADOWS	10	6	17	36	1-P	2500
PARK MEADOWS	8	5	13	29	1-P	2500
PARK MEADOWS	7	4	12	25	1-P	2500

Central Basin Municipal Water District
Water Recycling Master Plan
Potential Customer Demand with H2O Model Identification Number
Exhibit A

	Recycled Water Consumption ⁽¹⁾			Phase	H2ONET_ID	
	Annual Average	Max. Day ⁽²⁾	Peak Hour ⁽²⁾			
Customer	(AFY)	(gpm)	(gpm)	(gpm)		
PARK MEADOWS	6	4	10	21	1-P	2500
Continental Heat Treat	7	4	12	25	1-P	3001
Field - Norwalk & Telegraph	8	5	13	29	1-P	3010
Trojan Battery Company	7	4	12	25	1-P	3010
Heritage Corporation Center	69	43	116	246	1-P	3014
Nobbs Family Trust	8	5	13	29	1-P	3030
McMaster Car Supply Company	49	30	82	175	1-P	3040
Prentiss Properties	9	6	15	32	1-P	3040
Aeolian School	5	3	8	18	1-P	3070
Los Nietos Intermediate School	11	7	18	39	1-P	3070
Sorenson Park	23	14	39	82	1-P	3100
Horizon Growers	20	12	33	71	1-P	3200
Obregon School	8	5	13	29	1-P	3200
Pico Park	25	16	42	89	1-P	3210
Longfellow School	6	4	10	21	1-P	3240
Dexter School	30	19	50	107	1-P	3250
Palm Park (East Side)	16	10	27	57	1-P	3250
Abbot School	80	50	134	286	1-P	4040
Lynwood Unified School District	6	4	10	21	1-P	4040
CPT UNFD SCH DS	19	12	32	68	1-P	4070
Caltrans I-710 & Imperial	17	11	28	61	1-P	4090
Philadelphia Quartz	62	38	104	221	1-P	4140
Manning Beef Products	28	17	47	100	1-P	6108
Bell High School	18	11	30	64	1-P	9000
Lucky Container Corp.	6	4	10	21	1-P	9020
Welch's Uniform Rental	77	48	129	275	1-P	9050
Will Rogers School	16	10	27	57	1-P	11010
DOWNNEY CEMENTARY	13	8	22	46	1-P	
Potential Customer to be Identified	12	7	20	43	1-P	
Potential Customer to be Identified	10	6	17	36	1-P	
Potential Customer to be Identified	8	5	13	29	1-P	
Potential Customer to be Identified	7	4	12	25	1-P	
Potential Customer to be Identified	6	4	10	21	1-P	
Potential Customer to be Identified	8	5	13	29	1-P	
Potential Customer to be Identified	7	4	12	25	1-P	
Potential Customer to be Identified	7	4	12	25	1-P	
Potential Customer to be Identified	6	4	10	21	1-P	
Potential Customer to be Identified	6	4	10	21	1-P	
Potential Customer to be Identified	5	3	8	18	1-P	
Potential Customer to be Identified	6	4	10	21	1-P	
Potential Customer to be Identified	7	4	12	25	1-P	
Potential Customer to be Identified	6	4	10	21	1-P	
Potential Customer to be Identified	6	4	10	21	1-P	
Potential Customer to be Identified	6	4	10	21	1-P	
Potential Customer to be Identified	6	4	10	21	1-P	
Potential Customer to be Identified	6	4	10	21	1-P	
Potential Customer to be Identified	5	3	8	18	1-P	
Potential Customer to be Identified	6	4	10	21	1-P	

Central Basin Municipal Water District
Water Recycling Master Plan
Potential Customer Demand with H2O Model Identification Number
Exhibit A

	Recycled Water Consumption ⁽¹⁾			Phase	H2ONET_ID	
	Annual Average	Max. Day ⁽²⁾	Peak Hour ⁽²⁾			
Customer	(AFY)	(gpm)	(gpm)	(gpm)		
Potential Customer to be Identified	5	3	8	18	1-P	
Potential Customer to be Identified	6	4	10	21	1-P	
Potential Customer to be Identified	5	3	8	18	1-P	
Potential Customer to be Identified	6	4	10	21	1-P	
Potential Customer to be Identified	5	3	8	18	1-P	
Potential Customer to be Identified	5	3	8	18	1-P	
Potential Customer to be Identified	7	4	12	25	1-P	
Potential Customer to be Identified	5	3	8	18	1-P	
Potential Customer to be Identified	5	3	8	18	1-P	
Potential Customer to be Identified	7	4	12	25	1-P	
General Dyeing	261	162	437	932	1-P(2-A)	1381
Queen Div / Shaw Ind.	196	122	328	700	1-P(2-A)	1411
NO AMER ROCKWELL	163	101	273	582	1-P(2-A)	1596
Paramount Petroleum	300	186	502	1,071	1-P(2-A)	2191
LA County Justice Center	307	190	514	1,096	1-P(2-A)	2501
Los Amigos Golf Course	340	211	569	1,214	1-P(2-A)	2501
Pico Rivera Municipal Golf Course	150	93	251	536	1-P(2-A)	3201
U.S. Gypsum	134	83	224	479	1-P(2-A)	6079
Biola University	134	83	224	479	1-Q(2-A)	6075
Eastwood School	19	12	32	68	1-Q(2-A)	6075
El Camino High School	38	24	64	136	1-Q(2-A)	6075
Hutchinson School	12	7	20	43	1-Q(2-A)	6075
La Mirada Golf Course	216	134	362	771	1-Q(2-A)	6075
La Mirada High School	27	17	45	96	1-Q(2-A)	6075
La Mirada Park	312	193	522	1,114	1-Q(2-A)	6075
La Pluma School	18	11	30	64	1-Q(2-A)	6075
Olive Lawn Memorial Park	14	9	23	50	1-Q(2-A)	6075
Gardenhill School	21	13	35	75	1-Q(2-A)	6077
South Gate Park	100	62	167	357	2-A	4110
Bell Gardens Park	25	16	42	89	2-A	5026
Suva Intermediate School	32	20	54	114	2-A	5026
CEMETARY PKLAWN	33	20	55	118	2-A	5108
Mt. Carmel Cemetery	25	16	42	89	2-A	5108
Park Lawn Cemetery	35	22	59	125	2-A	5108
CITY OF COMMERCE	13	8	22	46	2-A	5130
Veteran's Memorial Park	30	19	50	107	2-A	5130
ADC Truck Terminal	41	25	69	146	2-A	5135
Durfee Elementary School	12	7	20	43	2-A	10010
North Park Jr High School	14	9	23	50	2-A	10090
No Ranchito Elementary School	15	9	25	54	2-A	10100
Galstian Family Trust	8	5	13	29	2-A	10110
Newkirk Management	22	14	37	79	2-A	10110
St Theresa Conv Hosp	12	7	20	43	2-A	10110
City Of Pico Rvra (Smith Park Pool)	11	7	18	39	2-A	10120
Los Angeles Co Library	5	3	8	18	2-A	10120
Smith Park	23	14	39	82	2-A	10120
LA Dye Works (Pico Rivera)	100	62	167	357	2-A	10150

Central Basin Municipal Water District
Water Recycling Master Plan
Potential Customer Demand with H2O Model Identification Number
Exhibit A

	Recycled Water Consumption ⁽¹⁾			Phase	H2ONET_ID	
	Annual Average	Max. Day ⁽²⁾	Peak Hour ⁽²⁾			
Customer	(AFY)	(gpm)	(gpm)	(gpm)		
Visy Corp. (Proposed Site)	1000	620	1674	3,571	2-A	10155
Armenian School	5	3	8	18	2-A	10160
Cintas Corp.	79	49	132	282	2-A	10160
Rio Vista Elementary School	20	12	33	71	2-B	10130
Valencia School	5	3	8	18	2-B	10132
City Of Pico Rivera/City Hall	6	4	10	21	2-B	10133
El Rancho Adult School	30	19	50	107	2-B	10133
El Rancho High School	30	19	50	107	2-B	10133
Salazar High School	5	3	8	18	2-B	10133
Rivera Elementary School	41	25	69	146	2-B	10135
Rivera Junior High School	20	12	33	71	2-B	10135
Magee Elementary School	15	9	25	54	2-B	10138
Burke Jr. High	30	19	50	107	2-B	10139
Rivera Park	32	20	54	114	2-B	10139
Birney School	15	9	25	54	2-B	10142
Green Acres Nursery	12	7	20	43	2-B	10143
St. Mariannes School	5	3	8	18	2-B	10180
Montebello Municipal Golf Course	500	310	837	1,786	3-A	5450
Mobile Home Park	41	25	69	146	3-A	6000
Rio Hondo Park	27	17	45	96	3-A	6004
Grant Rae Park	47	29	79	168	3-A	6020
La Merced Elementary School	3	2	5	11	3-A	6020
Montebello City Park	33	20	55	118	3-A	6046
Montebello Intermediate School	20	12	33	71	3-A	6046
Montebello High School	30	19	50	107	3-A	6047
Acuna Park	15	9	25	54	3-A	6048
Montebello City Hall	19	12	32	68	3-A	6048
Cure, Inc. (Landfill)	69	43	116	246	3-A	6049
Foster Wheeler Environmental (Landfill)	51	32	85	182	3-A	6049
Park Victoria	8	5	13	29	3-A	6054
Taylor Ranch	6	4	10	21	3-A	6054
Wilcox Elementary School	9	6	15	32	3-A	6056
Emery Industries	151	94	253	539	3-B	5070
PACIFIC PARADISE NURSERY	36	22	60	129	3-B	5080
GEHR INDUSTRIES INC	16	10	27	57	3-B	5120
Mt. Olive Memorial Cemetery	15	9	25	54	3-B	5120
The Super A Investment	15	9	25	54	3-B	5140
Saybrook Park	45	28	75	161	3-B	5150
Takahashi Nursery	10	6	17	36	3-B	5160
Yoshi Nursery	8	5	13	29	3-B	5180
MGF Industries	9	6	15	32	3-B	5190
Kaiser Aluminum	178	110	298	636	3-B	5200
ANDERSON LITHO	80	50	134	286	3-B	5212
Trammel Crow Company	15	9	25	54	3-B	5240
INLAND CONTAINER	21	13	35	75	3-B	5250
Daniel Plasencia Nursery	6	4	10	21	3-B	5270
Los Angeles Cnty / Commerce Refuse	245	152	410	875	3-B	5280

Central Basin Municipal Water District
Water Recycling Master Plan
Potential Customer Demand with H2O Model Identification Number
Exhibit A

	Recycled Water Consumption ⁽¹⁾			Phase	H2ONET_ID	
	Annual Average	Max. Day ⁽²⁾	Peak Hour ⁽²⁾			
Customer	(AFY)	(gpm)	(gpm)	(gpm)		
CITY OF COMMERCE	17	11	28	61	3-B	5310
Rosewood Park	12	7	20	43	3-B	5310
California Commerce Club	70	43	117	250	3-B	5320
Lyon Christmas Tree Nursery	8	5	13	29	3-B	5320
Pacific Tube Company	53	33	89	189	3-B	5340
Westerntex Industries	111	69	186	396	3-B	5390
Los Angeles Dye and Wash	49	30	82	175	3-B	5400
Damas Nursery	3	2	5	11	3-B	5410
Mimosa Nursery	6	4	10	21	3-B	5420
Hubbard Nursery	13	8	22	46	3-B	5430
Ashiya Park	33	20	55	118	3-B	5450
New Crow	25	16	42	89	3-B	5490
Bell Gardens High School	20	12	33	71	3-B	5500
New Crow II	9	6	15	32	3-B	5500
Potential Customer to be Identified	97	60	162	346	4-A	3110
Potential Customer to be Identified	62	38	104	221	4-A	3110
Potential Customer to be Identified	55	34	92	196	4-A	3270
Potential Customer to be Identified	42	26	70	150	4-A	3270
Potential Customer to be Identified	35	22	59	125	4-A	3270
Whittier Union High School	15	9	25	54	4-A	3270
Fred Nelles School	75	47	126	268	4-A	3280
Potential Customer to be Identified	25	16	42	89	4-A	3280
Potential Customer to be Identified	22	14	37	79	4-A	3280
Potential Customer to be Identified	19	12	32	68	4-A	3280
Potential Customer to be Identified	15	9	25	54	4-A	3280
Potential Customer to be Identified	13	8	22	46	4-A	3280
Potential Customer to be Identified	12	7	20	43	4-A	3280
Potential Customer to be Identified	12	7	20	43	4-A	6074
Potential Customer to be Identified	11	7	18	39	4-A	6074
Potential Customer to be Identified	10	6	17	36	4-A	6080
Potential Customer to be Identified	9	6	15	32	4-A	6080
Potential Customer to be Identified	9	6	15	32	4-A	6080
Potential Customer to be Identified	8	5	13	29	4-A	6080
Potential Customer to be Identified	8	5	13	29	4-A	6080
Potential Customer to be Identified	7	4	12	25	4-A	6080
Potential Customer to be Identified	7	4	12	25	4-A	6080
Whittier College	120	74	201	429	4-A	6080
Potential Customer to be Identified	7	4	12	25	4-A	6082
Savage Canyon Landfill	30	19	50	107	4-A	6082
Potential Customer to be Identified	6	4	10	21	4-A	6084
Friendly Hills Country Club	248	154	415	886	4-A	6088
La Serna High School	57	35	95	204	4-A	6088
Potential Customer to be Identified	6	4	10	21	4-A	6088
WHIT UNION HI SCH DIST	44	27	74	157	4-A	6088
ARDEN REALTY INCROP	8	5	13	29	4-A	6092
HRBF WHITTIER #2 L.T.D.	5	3	8	18	4-A	6092
Potential Customer to be Identified	5	3	8	18	4-A	6092

Central Basin Municipal Water District
Water Recycling Master Plan
Potential Customer Demand with H2O Model Identification Number
Exhibit A

	Recycled Water Consumption ⁽¹⁾			Phase	H2ONET_ID	
	Annual Average	Max. Day ⁽²⁾	Peak Hour ⁽²⁾			
Customer	(AFY)	(gpm)	(gpm)	(gpm)		
Potential Customer to be Identified	5	3	8	18	4-A	6092
Potential Customer to be Identified	5	3	8	18	4-A	6092
Potential Customer to be Identified	10	6	17	36	4-A	6092
Potential Customer to be Identified	9	6	15	32	4-A	6092
Potential Customer to be Identified	9	6	15	32	4-A	6092
Potential Customer to be Identified	56	35	94	200	4-A	6092
Summit Group	56	35	94	200	4-A	6092
WHITTIER HOSPITAL	39	24	65	139	4-A	6092
CITY OF WHITTIER	19	12	32	68	4-A	6094
CALIF DOMESTIC WATER	5	3	8	18	4-A	6096
EAST WHITTIER SCH DIST	10	6	17	36	4-A	6096
Orchard Dale School	16	10	27	57	4-A	6096
Hillview Middle School	30	19	50	107	4-A	6098
La Colma School	15	9	25	54	4-A	6102
Los Angeles County Sheriff	61	38	102	218	4-A	6102
California High School	130	81	218	464	4-A	6104
Candlewood Country Club	44	27	74	157	4-A	6104
Mulberry School	10	6	17	36	4-A	6106
Lincoln School	5	3	8	18	4-A	11280
COUNTRY HARVEST	12	7	20	43	4-A	
EAST WHT METHODIST CHRCH	5	3	8	18	4-A	
DV Industries	58	36	97	207	4-B	11230
Lynwood High School	45	28	75	161	4-B	11590
Ramona High School	20	12	33	71	4-C	1430
Ford Boulevard School	15	9	25	54	4-C	7010
GRUMA CORP	69	43	116	246	4-C	7010
Gruma Corporation	73	45	122	261	4-C	7010
POUR LE BEBE, INC.	21	13	35	75	4-C	7010
Winkler Flexible Products	35	22	59	125	4-C	7010
Belvedere Elementary School	15	9	25	54	4-C	7020
Edward Roybal Comp. Health Center	20	12	33	71	4-C	7020
Griffith Middle School	20	12	33	71	4-C	7020
Hamasaki Elementary School	15	9	25	54	4-C	7020
Home of Peace Memorial	40	25	67	143	4-C	7020
Humphrey's Ave. School	29	18	49	104	4-C	7020
Obregon Park	96	60	161	343	4-C	7020
Eastman Junior High School	20	12	33	71	4-C	7050
OEM Corp.	75	47	126	268	4-C	7050
California Electro Plating	34	21	57	121	4-C	7060
Dumont Industries	65	40	109	232	4-C	7060
Dumont Industries Inc.	26	16	44	93	4-C	7060
Grover Products Co.	8	5	13	29	4-C	7060
HWL Enter., Inc. dba Gene's Plating	8	5	13	29	4-C	7060
Keshbaff Knitting, Inc.	322	200	539	1,150	4-C	7060
Penetrate Metal Processing Service	34	21	57	121	4-C	7060
26th St Industrial Park	7	4	12	25	4-C	7080
Chem-Tech System Inc.	11	7	18	39	4-C	7080

Central Basin Municipal Water District
Water Recycling Master Plan
Potential Customer Demand with H2O Model Identification Number
Exhibit A

	Recycled Water Consumption ⁽¹⁾			Phase	H2ONET_ID	
	Annual Average	Max. Day ⁽²⁾	Peak Hour ⁽²⁾			
Customer	(AFY)	(gpm)	(gpm)	(gpm)		
D/K Environmental	15	9	25	54	4-C	7080
United Parcel Service	6	4	10	21	4-C	7080
Vernon Truck Wash	34	21	57	121	4-C	8000
Dales Transport	6	4	10	21	4-C	8010
Pinetree Textile Inc.	296	184	496	1,057	4-C	8020
Tissurama	605	375	1,013	2,161	4-C	8020
Vernon Truck Wash	33	20	55	118	4-C	8020
Air Products & Chemicals Inc.	24	15	40	86	4-C	8030
Arcadia Inc.	26	16	44	93	4-C	8030
Filtrol Corporation	40	25	67	143	4-C	8030
Pacific Anchor Chemical	5	3	8	18	4-C	8030
Prudential Insurance	6	4	10	21	4-C	8030
Robertson Ready Mix	16	10	27	57	4-C	8030
Soco-Lynch Corp	6	4	10	21	4-C	8030
Baker Commodities	124	77	208	443	4-C	8040
GNB Batteries, Inc.	90	56	151	321	4-C	8050
REHRIG PACIFIC CO	11	7	18	39	4-C	8050
PACKAGING CO OF CAL	30	19	50	107	4-C	8070
Packaging Company of America	20	12	33	71	4-C	8070
The Clorox Company	64	40	107	229	4-C	8070
US NAMSUNG TEXTILE, INC	330	205	552	1,178	4-C	8070
West Coast Rendering	33	20	55	118	4-C	8070
Champion Packing Co.	380	236	636	1,357	4-C	8090
Coast Packing Co.	16	10	27	57	4-C	8090
LA Washrack Inc.	47	29	79	168	4-C	8090
Mayflower Industries	725	450	1,214	2,589	4-C	8090
Service Packing, DBA	78	48	131	279	4-C	8090
Service Packing, DBA	19	12	32	68	4-C	8090
Yonekyu USA Inc.	29	18	49	104	4-C	8090
AMCA Plastic	22	14	37	79	4-C	8100
American Pacific Rim Inc.	10	6	17	36	4-C	8100
LA Washrack	5	3	8	18	4-C	8100
Norris Company-Building 5	194	120	325	693	4-C	8100
Packaging Advantage Corp.	187	116	313	668	4-C	8100
Packers Investments	111	69	186	396	4-C	8100
Barksdale Controls	10	6	17	36	4-C	8108
Owens Illinois Inc. I	159	99	266	568	4-C	8108
Owens Illinois Inc. I	72	45	121	257	4-C	8108
PJK Inc.	11	7	18	39	4-C	8108
California By-Products	37	23	62	132	4-C	8110
Norris Industries	7	4	12	25	4-C	8110
Primo Corp	6	4	10	21	4-C	8112
Pacific Fabric Finishing	58	36	97	207	4-C	8120
Pacific Fabric Printers	104	64	174	371	4-C	8120
CKM Industries Inc.	13	8	22	46	4-C	8130
Downey Associates	44	27	74	157	4-C	8130
Southland Box Co.	5	3	8	18	4-C	8130

Central Basin Municipal Water District
Water Recycling Master Plan
Potential Customer Demand with H2O Model Identification Number
Exhibit A

	Recycled Water Consumption ⁽¹⁾			Phase	H2ONET_ID	
	Annual Average	Max. Day ⁽²⁾	Peak Hour ⁽²⁾			
Customer	(AFY)	(gpm)	(gpm)	(gpm)		
Sunlaw Coldgen Plant Cogen. Partn.	250	155	419	893	4-C	8130
Angelus Sanitary Can Co.	10	6	17	36	4-C	8140
City of Vernon Utility Dept.	13	8	22	46	4-C	8140
Light & Power Dept., City of Vernon	10	6	17	36	4-C	8140
Allied Feather & Down	11	7	18	39	4-C	8148
California Webbing	10	6	17	36	4-C	8148
Hollander Home Fashions Corp.	41	25	69	146	4-C	8148
Byron Jackson Pump	13	8	22	46	4-C	8150
City of Vernon Water Dept.	6	4	10	21	4-C	8150
Jackson, Byron Property	11	7	18	39	4-C	8150
Pabco Paper Products	200	124	335	714	4-C	8150
Santa Fe Pacific LLC	13	8	22	46	4-C	8150
Atlantic Research Corporation	13	8	22	46	4-C	9048
Norris Company	18	11	30	64	4-C	9048
Soto Industrial Development	6	4	10	21	4-C	9048
US Filter Recovery Services	91	56	152	325	4-C	9048
Ameripride Uniform Services	97	60	162	346	4-C	9050
Aluminum Company of America	447	277	748	1,596	4-C	9070
Modern Pattern & Foundry Co.	6	4	10	21	4-C	9070
All American Manufacturing Company	4	2	7	14	4-C	9090
Evergreen Industries Inc.	10	6	17	36	4-C	9090
KB Management Co	11	7	18	39	4-C	9090
LA Dye & Print Works Inc.	15	9	25	54	4-C	9090
LA Dye Works, Inc (Finish Div)	500	310	837	1,786	4-C	9090
Life Like Products Inc.	16	10	27	57	4-C	9090
Huxtable's	15	9	25	54	4-C	9092
LA Dye Works, Inc (Rainbow Div)	500	310	837	1,786	4-C	9092
Punch Press Products	1	1	2	4	4-C	9092
Container Corporation of America	300	186	502	1,071	4-C	9100
Container Corporation of America	31	19	52	111	4-C	9100
Reprocell	68	42	114	243	4-C	9100

Central Basin Municipal Water District
Water Recycling Master Plan
Phase 1 - Night Time Run
Exhibit B

Phase 1 - Hour 0:00

ID	Demand (gpm)	Elevation (ft)	Grade (ft)	Pressure (psi)
1000	0	70	288	94.5
1010	0	74	287.96	92.75
1020	0	70	287.81	94.42
1030	0	83.5	287.29	88.34
1040	0	95.2	281.34	80.69
1050	63.36	80	280.81	87.05
1060	334.08	78	279.51	87.35
1070	0	95.4	287.16	83.13
1080	125.45	96.2	287.01	82.72
1090	0	103.8	287.26	79.53
1092	0	103	287.43	79.95
1094	0	102	287.36	80.36
1096	0	101	287.43	80.82
1098	50	105	287.14	78.96
1100	286.62	92	282.42	82.55
1110	63.36	96	282.2	80.72
1120	0	111.4	287.64	76.4
1130	125.11	115	274.49	69.14
1140	213.24	120	262.34	61.71
1150	0	113.4	287.68	75.55
1160	0	132	289.33	68.2
1170	0	130	289.7	69.23
1180	0	117.5	289.86	74.72
1190	316.8	69	276.44	89.92
1200	0	115.6	290.16	75.67
1202	67.85	111	290.34	77.74
1203	0	110	290.55	78.27
1204	0	118	290.97	74.98
1205	57.6	118	291.26	75.11
1210	0	116.8	291.97	75.94
1211	57.6	120.5	292.48	74.55
1220	296.06	121	294.9	75.39
1231	181.9	124	231.82	46.74
1232	57.6	125	226.6	44.04
1233	126.72	127	201.76	32.41
1234	288	127	196.14	29.97
1235	182.59	129	201.06	31.24
1240	57.6	117.8	304.34	80.87
1241	0	123	306.44	79.52
1250	0	127.4	312.86	80.4
1260	82.14	122.6	311.67	81.96
1270	0	132.4	318.52	80.68
1280	60.71	141.5	322.05	78.27
1285	629.92	138	320	78.9
1290	0	153.8	320.76	72.38
1300	0	147.2	309.76	70.47
1310	0	134	292.85	68.86

Central Basin Municipal Water District
Water Recycling Master Plan
Phase 1 - Night Time Run
Exhibit B

Phase 1 - Hour 0:00

ID	Demand (gpm)	Elevation (ft)	Grade (ft)	Pressure (psi)
1320	0	134	289.07	67.22
1330	97.92	86	265.68	77.89
1333	316.8	94	266.37	74.72
1334	0	96	263.56	72.64
1335	0	99	259.82	69.72
1336	60.48	105	249.71	62.73
1337	0	105	246.61	61.39
1338	962.24	108	241.73	57.97
1340	0	75.5	263.57	81.53
1341	0	96	261.7	71.83
1342	42.85	91	260.34	73.41
1343	89.28	91	260.28	73.38
1344	0	79	260.28	78.59
1345	0	77	260.28	79.45
1346	0	78	260.28	79.02
1347	0	94	261.02	72.4
1350	0	76.8	262.7	80.59
1360	115.2	78.2	260.2	78.9
1370	0	77.6	262.19	80.02
1380	0	77.2	260.49	79.45
1381	0	77.2	260.49	79.45
1390	0	66.8	260.49	83.96
1400	57.6	75.5	259.39	79.72
1410	728	74.2	256.94	79.22
1411	0	74.2	256.94	79.22
1420	172.8	127	191.62	28.01
1430	407.12	145	176.11	13.49
1440	42.85	144	176.02	13.88
1500	57.6	86	266.51	78.25
1502	0	90.5	276.97	80.84
1504	57.6	92	275.34	79.48
1506	57.6	89	270.66	78.75
1510	303.32	84.4	252.47	72.86
1520	0	88.3	266.51	77.25
1530	125.45	88.8	260.73	74.53
1540	57.6	88.8	258.35	73.5
1550	0	90.2	257.14	72.37
1560	89.28	91.8	249.38	68.31
1570	0	92.4	245.64	66.43
1580	174.84	92.4	243.09	65.32
1590	0	95.6	237.92	61.7
1595	345.95	97	234.67	59.68
1596	0	97	234.67	59.68
1600	0	89.5	279.9	82.54
1610	0	89.3	278.54	82.04
1620	57.6	89.5	273.76	79.87
1630	0	90	267.94	77.14

Central Basin Municipal Water District
Water Recycling Master Plan
Phase 1 - Night Time Run
Exhibit B

Phase 1 - Hour 0:00

ID	Demand (gpm)	Elevation (ft)	Grade (ft)	Pressure (psi)
1640	57.6	87.3	263.16	76.23
1641	155.52	89	261.36	74.72
1650	0	92	261.42	73.44
1660	69.12	96.6	260.58	71.09
1665	0	107	260.58	66.58
1670	157.13	91.3	260.25	73.24
1680	57.6	93	259.96	72.38
1690	0	86.6	200.63	49.43
1691	0	86.6	200.2	49.25
1693	0	86.6	584.08	215.66
1700	0	85.8	534.76	194.63
1710	0	81.8	427.42	149.83
1712	0	81	418.91	146.49
1714	107.14	77	411.34	144.94
1716	0	77	411.34	144.94
1720	121.88	79.2	417.8	146.78
1730	57.6	83.8	419.81	145.66
1740	129.25	81.4	411.41	143.06
1750	57.6	80.4	410.87	143.26
1755	182.13	76	409.08	144.39
1757	0	75	409.08	144.82
1758	0	75	625.08	238.46
2010	0	68.5	287.64	95
2020	0	66	286.99	95.8
2030	0	71	285.9	93.16
2040	57.6	71	285.81	93.12
2050	0	73.5	285.52	91.91
2060	0	72	284.99	92.33
2065	108.4	69	284.38	93.37
2070	0	75	283.9	90.56
2080	0	74.5	279.34	88.8
2090	189.04	75	274.63	86.54
2100	0	75.6	283.25	90.02
2110	0	77	283.07	89.33
2120	196.42	77	283.02	89.31
2130	57.6	70.4	282.77	92.06
2140	132.48	66.4	282.59	93.72
2150	204.02	62.8	282.53	95.25
2160	0	77	282.86	89.24
2170	241.92	76.5	282.72	89.4
2180	57.6	77.2	282.72	89.09
2190	0	77.8	282.85	88.89
2191	0	77.8	282.85	88.89
2200	57.6	73.5	282.66	90.67
2210	115.2	73.6	281.36	90.06
2220	149.76	73.4	281.19	90.08
2230	0	75	282.59	89.99

Central Basin Municipal Water District
Water Recycling Master Plan
Phase 1 - Night Time Run
Exhibit B

Phase 1 - Hour 0:00

ID	Demand (gpm)	Elevation (ft)	Grade (ft)	Pressure (psi)
2240	0	81	282.56	87.38
2245	57.6	79	282.62	88.27
2250	0	70.5	210.98	60.9
2255	0	74	237.97	71.08
2256	115.2	74	237.97	71.08
2260	57.6	71.8	200.2	55.66
2270	57.6	72.4	191.69	51.71
2280	307.58	72.8	186.45	49.27
2290	57.6	70	204.14	58.15
2300	0	64.2	204.14	60.66
2310	57.6	68	191.76	53.65
2320	144	66.6	188.99	53.05
2330	0	67.8	190.79	53.31
2340	115.2	75	190.5	50.07
2350	109.44	67	186.52	51.81
2360	107.14	84.8	282.71	85.8
2370	466.56	88.5	283.84	84.68
2380	0	94	291.34	85.55
2390	0	98	298.04	86.72
2400	57.6	100.5	299.64	86.33
2410	0	104.5	302.64	85.89
2420	207.36	102.8	289.39	80.89
2430	0	109.6	315.32	89.18
2440	57.6	113.6	328.63	93.21
2442	0	112	325.51	92.56
2444	0	112	351.32	103.75
2446	0	112	351.32	103.75
2447	0	112	351.32	103.75
2448	0	112	351.32	103.75
2450	0	114.8	337.06	96.35
2460	0	118.3	354.06	102.2
2463	0	118	345.29	98.53
2464	0	115	345.29	99.83
2465	0	116	345.3	99.4
2466	0	120	345.29	97.66
2467	0	120	345.29	97.66
2468	0	116	345.29	99.4
2469	0	130	345.29	93.33
2470	25	117.4	351.87	101.64
2471	0	115	345.29	99.83
2472	0	132.5	345.29	92.24
2473	21.43	119.6	345.29	97.84
2474	0	120	345.29	97.66
2476	0	120	345.29	97.66
2480	525.89	116.8	351.32	101.66
2487	0	94	291.34	85.55
2489	0	113.6	328.7	93.24

Central Basin Municipal Water District
Water Recycling Master Plan
Phase 1 - Night Time Run
Exhibit B

Phase 1 - Hour 0:00

ID	Demand (gpm)	Elevation (ft)	Grade (ft)	Pressure (psi)
2500	110.71	96.2	299.56	88.16
2501	0	96.2	299.56	88.16
3000	0	130	426.33	128.46
3001	0	130	321.55	83.04
3010	28.57	130	427.91	129.14
3012	115.2	138	416.35	120.67
3014	246.41	130	414.54	123.35
3016	0	137.6	414.54	120.05
3030	28.57	148.8	431.62	122.6
3040	92.9	156.8	435.18	120.68
3050	57.6	155	437.05	122.27
3055	37.2	153	436.85	123.05
3060	0	153.2	439.29	124.02
3070	57.14	152.7	442.71	125.72
3080	57.6	155.8	447.64	126.51
3090	0	158.8	450.42	126.42
3100	226.14	165.2	454.47	125.4
3105	138.24	167	444.88	120.46
3107	32.14	164	444.78	121.72
3109	85.71	200	465.14	114.94
3110	567.82	208.6	463.76	110.61
3113	0	187	468.68	122.11
3120	0	202.6	464.68	113.61
3125	57.6	215	464.33	108.08
3130	57.6	229.8	465.17	102.03
3140	0	222.2	465.74	105.58
3150	0	268.8	466.56	85.73
3160	0	203.2	467.53	114.59
3170	0	192.2	469.4	120.17
3180	0	185.6	469.38	123.02
3190	0	192.2	469.37	120.15
3200	28.57	203	469.36	115.47
3201	0	203	469.36	115.47
3210	89.28	184	469.2	123.63
3220	0	250	463.7	92.64
3230	0	259	460.95	87.55
3240	21.43	280	460.61	78.29
3250	221.88	245	408.79	71
3260	57.6	280	463.69	79.63
3300	2,142.72	300	466.24	72.06
3310	0	435	466.24	13.54
4000	0	83	282.72	86.58
4010	0	82.4	282.72	86.84
4020	69.12	81.8	280.35	86.07
4030	0	75.2	272.51	85.53
4040	307.12	75.2	259.39	79.84
4050	0	73.6	258.36	80.09

Central Basin Municipal Water District
Water Recycling Master Plan
Phase 1 - Night Time Run
Exhibit B

Phase 1 - Hour 0:00

ID	Demand (gpm)	Elevation (ft)	Grade (ft)	Pressure (psi)
4060	0	72	257.78	80.53
4070	154.25	71	257.02	80.64
4080	0	70	257.02	81.07
4090	118.31	90.2	288.95	86.16
4100	0	99.5	296.33	85.32
4110	357.12	100.6	296.01	84.71
4120	0	102.8	297.27	84.3
4125	0	110	296.36	80.79
4130	0	114	295.54	78.7
4135	0	118	295.54	76.96
4140	0	120	295.54	76.1
4150	57.6	125	294.52	73.49
4160	115.2	119	293.61	75.69
4170	0	119	599.88	208.46
5000	0	115	351.32	102.44
5008	0	117	351.32	101.58
5010	0	120	351.32	100.28
5020	0	127	379.29	109.37
5026	0	130	379.29	108.07
5030	0	126	351.32	97.68
5108	0	136	379.29	105.47
5110	0	136	379.29	105.47
5133	0	130	379.29	108.07
5134	0	155	408.87	110.05
5135	0	155	439.32	123.25
6052	0	185	468.16	122.75
6060	53.57	155.8	446.56	126.04
6062	0	155	436.98	122.24
6064	0	155	436.98	122.24
6066	0	100	283.29	79.46
6068	0	200	283.29	36.11
6070	0	180	283.29	44.78
6072	0	153.8	318.8	71.53
6075	0	180	283.29	44.78
6077	0	200	283.29	36.11
6079	0	118	295.54	76.96
6097	0	146	163.68	7.66
6099	0	146	163.68	7.66
6101	0	146	322.05	76.32
6105	0	100.5	129	12.35
6108	0	184	469.2	123.63
6110	0	100	599.64	216.6
6112	0	100	599.64	216.6
9000	64.28	100	599.72	216.63
9010	115.2	150	599.51	194.86
9020	0	155	599.4	192.65
9030	195.84	145	598.93	196.78

Central Basin Municipal Water District
Water Recycling Master Plan
Phase 1 - Night Time Run
Exhibit B

Phase 1 - Hour 0:00

ID	Demand (gpm)	Elevation (ft)	Grade (ft)	Pressure (psi)
10000	0	192.2	469.4	120.17
10002	0	74	288	92.77
10004	0	130	321.55	83.04
10010	0	184	468.68	123.41
10090	0	184	469.2	123.63
10100	0	180	465.82	123.9
10110	0	180	462.84	122.61
10120	0	170	458.49	125.06
10130	0	165	456.51	126.37
10140	0	160	453.46	127.22
10150	0	159	449.67	126.01
10155	0	160	446.81	124.33
10160	0	147	442.35	128.04

Phase 1 - Hour 7:00

ID	Demand (gpm)	Elevation (ft)	Grade (ft)	Pressure (psi)
1000	0	70	288	94.5
1010	0	74	287.96	92.75
1020	0	70	287.85	94.44
1030	99.36	83.5	284.61	87.18
1040	0	95.2	284.61	82.11
1050	0	80	284.61	88.7
1060	0	78	284.61	89.56
1070	43.2	95.4	283.37	81.48
1080	43.2	96.2	281.86	80.48
1090	130.69	103.8	280.51	76.61
1092	0	103	280.06	76.76
1094	0	102	280.23	77.26
1096	198.2	101	277.95	76.71
1098	42.85	105	280.06	75.89
1100	89.28	92	276.03	79.78
1110	246.41	96	273.39	76.9
1120	0	111.4	279.62	72.92
1130	0	115	278.59	70.91
1140	85.71	120	276.34	67.77
1150	0	113.4	279.56	72.03
1160	0	132	277.15	62.92
1170	0	130	276.61	63.55
1180	0	117.5	276.37	68.87
1190	0	69	276.37	89.89
1200	43.2	115.6	276.03	69.55
1202	0	111	275.14	71.16
1203	0	110	275.14	71.59
1204	0	118	275.14	68.12
1205	0	118	274.85	67.99
1210	0	116.8	274.13	68.2
1211	0	120.5	273.63	66.38
1220	0	121	271.32	65.16
1231	0	124	270.84	63.66
1232	0	125	270.79	63.2
1233	0	127	270.53	62.22
1234	0	127	270.53	62.22
1235	0	129	270.53	61.35
1240	25	117.8	268.11	65.16
1241	0	123	267.43	62.61
1250	0	127.4	265.34	59.8
1260	0	122.6	265.34	61.88
1270	64.28	132.4	263.56	56.86
1280	71.42	141.5	258.85	50.87
1285	629.92	138	260.94	53.29
1290	0	153.8	258.26	45.28
1300	467.83	147.2	253.17	45.94
1310	57.6	134	248.99	49.85
1320	0	134	248.14	49.48
1330	0	86	242.56	67.87

Phase 1 - Hour 7:00

ID	Demand (gpm)	Elevation (ft)	Grade (ft)	Pressure (psi)
1333	0	94	243.04	64.61
1334	40.32	96	242.82	63.65
1335	0	99	242.55	62.23
1336	0	105	241.82	59.31
1337	0	105	241.56	59.2
1338	248	108	241.17	57.73
1340	43.2	75.5	240.82	71.66
1341	0	96	242.82	63.65
1342	0	91	242.82	65.81
1343	0	91	242.82	65.81
1344	0	79	242.82	71.02
1345	0	77	242.82	71.88
1346	0	78	242.82	71.45
1347	0	94	242.82	64.51
1350	0	76.8	240.16	70.82
1360	0	78.2	240.16	70.21
1370	43.2	77.6	239.67	70.26
1380	0	77.2	238.19	69.79
1381	0	77.2	238.19	69.79
1390	0	66.8	238.19	74.3
1400	0	75.5	237.24	70.11
1410	728	74.2	234.78	69.61
1411	0	74.2	234.78	69.61
1420	104.08	127	270.16	62.06
1430	0	145	270.16	54.26
1440	0	144	270.16	54.69
1500	0	86	279.31	83.8
1502	21.43	90.5	280.36	82.3
1504	89.28	92	276.68	80.06
1506	0	89	279.75	82.69
1510	0	84.4	279.31	84.49
1520	82.08	88.3	278.43	82.42
1530	0	88.8	278.57	82.26
1540	0	88.8	278.15	82.08
1550	21.43	90.2	277.9	81.37
1560	0	91.8	276.52	80.08
1570	0	92.4	275.63	79.43
1580	239.64	92.4	275.02	79.17
1590	0	95.6	275.02	77.78
1595	0	97	275.02	77.17
1596	0	97	275.02	77.17
1600	86.4	89.5	280.93	82.98
1610	56.16	89.3	280.81	83.02
1620	0	89.5	280.53	82.81
1630	0	90	280.16	82.44
1640	0	87.3	280.16	83.61
1641	0	89	280.16	82.87
1650	0	92	279.55	81.3
1660	260.7	96.6	269.82	75.09

Phase 1 - Hour 7:00

ID	Demand (gpm)	Elevation (ft)	Grade (ft)	Pressure (psi)
1665	0	107	269.82	70.58
1670	0	91.3	279.55	81.61
1680	0	93	279.55	80.87
1690	0	86.6	279.55	83.65
1691	0	86.6	279.55	83.65
1693	0	86.6	740.89	283.63
1700	0	85.8	740.89	283.98
1710	0	81.8	740.89	285.71
1712	0	81	740.89	286.06
1714	0	77	740.89	287.8
1716	0	77	740.89	287.8
1720	0	79.2	740.89	286.84
1730	0	83.8	740.89	284.85
1740	0	81.4	740.89	285.89
1750	0	80.4	740.89	286.32
1755	0	76	740.89	288.23
1757	0	75	740.89	288.66
1758	0	75	956.89	382.3
2010	0	68.5	287.91	95.11
2020	0	66	288.15	96.3
2030	0	71	288.55	94.31
2040	0	71	288.55	94.31
2050	0	73.5	288.69	93.29
2060	0	72	288.9	94.03
2065	0	69	288.9	95.33
2070	0	75	289.37	92.93
2080	0	74.5	289.37	93.15
2090	0	75	289.37	92.93
2100	0	75.6	289.71	92.82
2110	0	77	289.81	92.25
2120	43.2	77	289.83	92.26
2130	43.2	70.4	289.82	95.12
2140	47.52	66.4	289.81	96.85
2150	0	62.8	289.81	98.41
2160	0	77	290.08	92.37
2170	0	76.5	290.08	92.59
2180	0	77.2	290.08	92.28
2190	0	77.8	290.1	92.03
2191	0	77.8	290.1	92.03
2200	43.2	73.5	290.61	94.12
2210	0	73.6	290.61	94.07
2220	0	73.4	290.61	94.16
2230	43.2	75	291.2	93.72
2240	43.2	81	291.49	91.25
2245	138.24	79	291.96	92.32
2250	107.14	70.5	283.44	92.31
2255	86.4	74	285.65	91.75
2256	0	74	285.88	91.85
2260	0	71.8	283.44	91.75

Phase 1 - Hour 7:00

ID	Demand (gpm)	Elevation (ft)	Grade (ft)	Pressure (psi)
2270	0	72.4	283.44	91.49
2280	0	72.8	283.44	91.31
2290	0	70	282.75	92.23
2300	139.97	64.2	274.65	91.23
2310	0	68	282.75	93.09
2320	0	66.6	282.75	93.7
2330	0	67.8	282.75	93.18
2340	0	75	282.75	90.06
2350	0	67	282.75	93.53
2360	0	84.8	292.6	90.08
2370	43.2	88.5	295.87	89.89
2380	0	94	304.54	91.27
2390	107.14	98	312.28	92.89
2400	0	100.5	314.45	92.75
2410	0	104.5	317.58	92.37
2420	0	102.8	317.58	93.11
2430	51.78	109.6	325.52	93.6
2440	0	113.6	334.19	95.62
2442	0	112	332.16	95.44
2444	0	112	335.87	97.05
2446	0	112	335.87	97.05
2447	0	112	335.87	97.05
2448	507.11	112	335.87	97.05
2450	0	114.8	339.5	97.41
2460	0	118.3	353.4	101.92
2463	0	118	342.06	97.13
2464	725.76	115	340.3	97.67
2465	0	116	344.68	99.13
2466	0	120	342.06	96.26
2467	0	120	342.06	96.26
2468	0	116	342.06	98
2469	0	130	342.06	91.93
2470	0	117.4	350.98	101.26
2471	0	115	342.06	98.43
2472	0	132.5	342.06	90.84
2473	0	119.6	342.06	96.44
2474	0	120	342.06	96.26
2476	0	120	342.06	96.26
2480	75.34	116.8	350.32	101.23
2487	0	94	304.54	91.27
2489	0	113.6	334.23	95.64
2500	0	96.2	314.45	94.61
2501	0	96.2	314.45	94.61
3000	0	130	281.52	65.69
3001	25	130	281.52	65.68
3010	25	130	291.05	69.81
3012	0	138	291.05	66.35
3014	0	130	291.05	69.81
3016	0	137.6	291.05	66.52

Phase 1 - Hour 7:00

ID	Demand (gpm)	Elevation (ft)	Grade (ft)	Pressure (psi)
3030	0	148.8	303.13	66.9
3040	92.9	156.8	314.26	68.26
3050	249.98	155	319.81	71.45
3055	997.85	153	197.82	19.43
3060	0	153.2	334.85	78.75
3070	0	152.7	357.82	88.92
3080	0	155.8	388.77	100.99
3090	0	158.8	404.22	106.39
3100	0	165.2	426.7	113.36
3105	0	167	426.7	112.58
3107	0	164	426.7	113.88
3109	0	200	465.76	115.2
3110	0	208.6	461.92	109.81
3113	0	187	468.68	122.11
3120	0	202.6	463.73	113.2
3125	0	215	463.05	107.53
3130	0	229.8	464.68	101.82
3140	159.84	222.2	465.76	105.58
3150	0	268.8	467.3	86.05
3160	0	203.2	468.02	114.8
3170	0	192.2	469.4	120.17
3180	0	185.6	469.38	123.02
3190	0	192.2	469.35	120.15
3200	53.57	203	469.32	115.45
3201	0	203	469.32	115.45
3210	0	184	469.21	123.64
3220	0	250	461.92	91.87
3230	0	259	461.92	87.96
3240	0	280	461.92	78.86
3250	0	245	461.92	94.03
3260	0	280	461.92	78.86
3300	0	300	467.3	72.53
3310	0	435	467.3	14
4000	43.2	83	292.71	90.91
4010	0	82.4	292.74	91.18
4020	0	81.8	292.58	91.37
4030	60.48	75.2	291.87	93.93
4040	0	75.2	291.53	93.78
4050	0	73.6	291.32	94.38
4060	0	72	291.2	95.02
4070	0	71	291.05	95.39
4080	64.8	70	290.65	95.65
4090	0	90.2	304.34	92.83
4100	0	99.5	314.33	93.13
4110	0	100.6	314.33	92.65
4120	0	102.8	314.95	91.97
4125	0	110	314.75	88.76
4130	0	114	314.57	86.95
4135	0	118	313.91	84.93

Phase 1 - Hour 7:00

ID	Demand (gpm)	Elevation (ft)	Grade (ft)	Pressure (psi)
4140	221.41	120	313.18	83.74
4150	0	125	314.56	82.18
4160	0	119	314.56	84.78
4170	0	119	622.56	218.29
5000	0	115	350.32	102.01
5008	0	117	350.32	101.14
5010	0	120	350.32	99.84
5020	0	127	378.94	109.22
5026	0	130	378.94	107.91
5030	0	126	350.32	97.24
5108	0	136	378.94	105.31
5110	0	136	378.94	105.31
5133	0	130	378.94	107.91
5134	0	155	408.87	110.05
5135	0	155	438.97	123.1
6052	0	185	468.16	122.75
6060	0	155.8	388.77	100.99
6062	0	155	257.77	44.55
6064	482.11	155	226.1	30.82
6066	0	100	246.84	63.66
6068	0	200	246.84	20.31
6070	0	180	246.84	28.98
6072	0	153.8	257.35	44.89
6075	0	180	246.84	28.98
6077	0	200	246.84	20.31
6079	0	118	313.91	84.93
6097	0	146	158.3	5.33
6099	0	146	158.47	5.41
6101	0	146	257.11	48.16
6105	0	100.5	129	12.35
6108	0	184	469.21	123.64
6110	0	100	622.55	226.53
6112	0	100	622.55	226.53
9000	0	100	622.55	226.53
9010	0	150	622.55	204.85
9020	21.43	155	622.55	202.68
9030	0	145	622.55	207.02
10000	0	192.2	469.4	120.17
10002	0	74	288	92.77
10004	0	130	281.52	65.69
10010	0	184	468.68	123.41
10090	0	184	469.21	123.64
10100	0	180	465.79	123.89
10110	0	180	462.77	122.58
10120	0	170	458.36	125.01
10130	0	165	456.36	126.31
10140	0	160	453.28	127.14
10150	0	159	449.45	125.91
10155	0	160	446.55	124.22

Phase 1 - Hour 7:00

ID	Demand (gpm)	Elevation (ft)	Grade (ft)	Pressure (psi)
10160	0	147	442.04	127.9

Phase 2 - Hour 0:00

ID	Demand (gpm)	Elevation (ft)	Grade (ft)	Pressure (psi)
1000	0	70	288	94.5
1010	0	74	287.86	92.71
1020	0	70	287.38	94.23
1030	0	83.5	286.86	88.16
1040	0	95.2	280.92	80.51
1050	63.36	80	280.39	86.87
1060	334.08	78	279.08	87.17
1070	0	95.4	286.74	82.95
1080	125.45	96.2	286.59	82.54
1090	0	103.8	286.85	79.35
1092	0	103	287.03	79.78
1094	0	102	286.96	80.18
1096	0	101	287.03	80.64
1098	50	105	286.73	78.78
1100	286.62	92	282.01	82.37
1110	63.36	96	281.79	80.54
1120	0	111.4	287.24	76.22
1130	125.11	115	274.08	68.96
1140	213.24	120	261.94	61.53
1150	0	113.4	287.28	75.38
1160	0	132	288.96	68.04
1170	0	130	289.33	69.07
1180	0	117.5	289.5	74.56
1190	316.8	69	276.07	89.77
1200	0	115.6	289.8	75.52
1202	67.85	111	289.99	77.59
1203	0	110	290.2	78.12
1204	0	118	290.62	74.83
1205	57.6	118	290.91	74.96
1210	0	116.8	291.64	75.79
1211	57.6	120.5	292.15	74.41
1220	296.06	121	294.61	75.26
1231	181.9	124	231.53	46.62
1232	57.6	125	226.31	43.92
1233	126.72	127	201.47	32.28
1234	288	127	195.85	29.85
1235	182.59	129	200.76	31.11
1240	57.6	117.8	304.13	80.77
1241	0	123	306.24	79.44
1250	0	127.4	312.72	80.34
1260	82.14	122.6	311.52	81.9
1270	0	132.4	318.42	80.64
1280	60.71	141.5	321.95	78.23
1285	629.92	138	319.9	78.85
1290	0	153.8	320.66	72.34
1300	0	147.2	309.67	70.43
1310	0	134	292.76	68.82
1320	0	134	288.97	67.18
1330	97.92	86	265.58	77.85

Phase 2 - Hour 0:00

ID	Demand (gpm)	Elevation (ft)	Grade (ft)	Pressure (psi)
1333	316.8	94	266.27	74.68
1334	0	96	263.46	72.59
1335	0	99	259.73	69.67
1336	60.48	105	249.61	62.69
1337	0	105	246.52	61.35
1338	962.24	108	241.63	57.93
1340	0	75.5	263.48	81.49
1341	0	96	261.6	71.79
1342	42.85	91	260.25	73.37
1343	89.28	91	260.19	73.34
1344	0	79	260.19	78.54
1345	0	77	260.19	79.41
1346	0	78	260.19	78.98
1347	0	94	260.93	72.36
1350	0	76.8	262.6	80.54
1360	115.2	78.2	260.1	78.85
1370	0	77.6	262.09	79.98
1380	0	77.2	260.39	79.41
1381	0	77.2	260.39	79.41
1390	0	66.8	260.39	83.92
1400	57.6	75.5	259.29	79.67
1410	728	74.2	256.84	79.17
1411	0	74.2	256.84	79.17
1420	172.8	127	191.32	27.88
1430	407.12	145	175.82	13.36
1440	42.85	144	175.73	13.75
1500	57.6	86	266.09	78.07
1502	0	90.5	276.56	80.66
1504	57.6	92	274.92	79.3
1506	57.6	89	270.24	78.57
1510	303.32	84.4	252.05	72.68
1520	0	88.3	266.09	77.07
1530	125.45	88.8	260.31	74.35
1540	57.6	88.8	257.93	73.32
1550	0	90.2	256.72	72.19
1560	89.28	91.8	248.96	68.13
1570	0	92.4	245.23	66.25
1580	174.84	92.4	242.67	65.14
1590	0	95.6	237.51	61.52
1595	345.95	97	234.26	59.5
1596	0	97	234.26	59.5
1600	0	89.5	279.48	82.36
1610	0	89.3	278.12	81.86
1620	57.6	89.5	273.34	79.69
1630	0	90	267.52	76.96
1640	57.6	87.3	262.74	76.05
1641	155.52	89	260.94	74.54
1650	0	92	261	73.26
1660	69.12	96.6	260.17	70.91

Phase 2 - Hour 0:00

ID	Demand (gpm)	Elevation (ft)	Grade (ft)	Pressure (psi)
1665	0	107	260.17	66.4
1670	157.13	91.3	259.84	73.06
1680	57.6	93	259.54	72.2
1690	0	86.6	200.21	49.25
1691	0	86.6	199.78	49.07
1693	0	86.6	583.66	215.48
1700	0	85.8	534.35	194.45
1710	0	81.8	427	149.65
1712	0	81	418.5	146.31
1714	107.14	77	410.92	144.76
1716	0	77	410.92	144.76
1720	121.88	79.2	417.38	146.6
1730	57.6	83.8	419.4	145.48
1740	129.25	81.4	410.99	142.88
1750	57.6	80.4	410.45	143.08
1755	182.13	76	408.66	144.21
1757	0	75	408.66	144.64
1758	0	75	624.66	238.28
2010	0	68.5	286.33	94.43
2020	0	66	282.3	93.76
2030	0	71	275.57	88.68
2040	57.6	71	275.49	88.64
2050	0	73.5	273.15	86.55
2060	0	72	269.78	85.74
2065	108.4	69	269.17	86.77
2070	0	75	262.34	81.21
2080	0	74.5	257.78	79.45
2090	189.04	75	253.07	77.19
2100	0	75.6	257.22	78.73
2110	0	77	255.85	77.53
2120	196.42	77	255.45	77.36
2130	57.6	70.4	255.19	80.11
2140	132.48	66.4	255.02	81.77
2150	204.02	62.8	254.96	83.3
2160	0	77	253.13	76.35
2170	241.92	76.5	252.99	76.51
2180	57.6	77.2	252.99	76.2
2190	0	77.8	252.95	75.93
2191	0	77.8	252.95	75.93
2200	57.6	73.5	248.64	75.92
2210	115.2	73.6	247.33	75.31
2220	149.76	73.4	247.16	75.33
2230	0	75	244.66	73.55
2240	0	81	242.76	70.12
2245	57.6	79	241.7	70.53
2250	0	70.5	171.18	43.65
2255	0	74	198.17	53.83
2256	115.2	74	198.17	53.83
2260	57.6	71.8	160.4	38.41

Phase 2 - Hour 0:00

ID	Demand (gpm)	Elevation (ft)	Grade (ft)	Pressure (psi)
2270	57.6	72.4	151.89	34.46
2280	307.58	72.8	146.65	32.01
2290	57.6	70	164.33	40.89
2300	0	64.2	164.33	43.41
2310	57.6	68	151.96	36.4
2320	144	66.6	149.18	35.8
2330	0	67.8	150.98	36.06
2340	115.2	75	150.7	32.81
2350	109.44	67	146.72	34.56
2360	107.14	84.8	240.48	67.49
2370	466.56	88.5	236.11	63.99
2380	0	94	231.05	59.41
2390	0	98	226.53	55.72
2400	57.6	100.5	225.45	54.16
2410	0	104.5	229.66	54.26
2420	207.36	102.8	216.41	49.25
2430	0	109.6	235.82	54.71
2440	57.6	113.6	242.27	55.78
2442	0	112	240.76	55.82
2444	0	112	254.02	61.57
2446	0	112	254.02	61.57
2447	0	112	254.02	61.57
2448	0	112	254.02	61.57
2450	0	114.8	246.43	57.06
2460	0	118.3	256.76	60.02
2463	0	118	249.14	56.85
2464	0	115	249.14	58.15
2465	0	116	250.49	58.3
2466	0	120	236.87	50.66
2467	0	120	235.95	50.26
2468	0	116	248.23	57.32
2469	0	130	225.96	41.6
2470	25	117.4	254.57	59.46
2471	0	115	248.23	57.76
2472	307.12	132.5	225.77	40.43
2473	21.43	119.6	247.45	55.42
2474	107.14	120	235.91	50.25
2476	71.42	120	236.86	50.66
2480	525.89	116.8	254.02	59.49
2487	0	94	231.05	59.41
2489	0	113.6	242.31	55.79
2500	110.71	96.2	199.09	44.6
2501	2,310.57	96.2	197.58	43.95
3000	0	130	359.51	99.49
3001	0	130	321.55	83.04
3010	28.57	130	361.14	100.2
3012	115.2	138	349.58	91.72
3014	246.41	130	347.77	94.4
3016	0	137.6	347.77	91.11

Phase 2 - Hour 0:00

ID	Demand (gpm)	Elevation (ft)	Grade (ft)	Pressure (psi)
3030	28.57	148.8	364.94	93.7
3040	92.9	156.8	368.58	91.81
3050	57.6	155	370.49	93.42
3055	37.2	153	370.29	94.19
3060	0	153.2	372.78	95.19
3070	57.14	152.7	376.27	96.92
3080	57.6	155.8	381.29	97.75
3090	0	158.8	384.12	97.68
3100	226.14	165.2	388.25	96.69
3105	138.24	167	378.66	91.75
3107	32.14	164	378.55	93.01
3109	85.71	200	399.07	86.3
3110	567.82	208.6	397.68	81.96
3113	0	187	400.06	92.36
3120	0	202.6	398.6	84.97
3125	57.6	215	398.25	79.44
3130	57.6	229.8	399.09	73.39
3140	0	222.2	399.67	76.94
3150	0	268.8	400.5	57.09
3160	0	203.2	401.48	85.95
3170	0	192.2	403.36	91.54
3180	0	185.6	403.26	94.36
3190	0	192.2	401.04	90.53
3200	28.57	203	398.54	84.77
3201	535.68	203	398.44	84.72
3210	89.28	184	402.44	94.69
3220	0	250	397.61	63.99
3230	0	259	394.86	58.9
3240	21.43	280	394.52	49.65
3250	221.88	245	342.7	42.35
3260	57.6	280	397.61	50.98
3300	2,142.72	300	400.18	43.43
3310	0	435	400.18	-15.1
4000	0	83	240.21	68.15
4010	0	82.4	240.13	68.38
4020	69.12	81.8	237.77	67.61
4030	0	75.2	229.92	67.07
4040	307.12	75.2	216.8	61.38
4050	0	73.6	215.77	61.63
4060	0	72	215.19	62.07
4070	154.25	71	214.43	62.18
4080	0	70	214.43	62.61
4090	118.31	90.2	233.38	62.07
4100	0	99.5	229.36	56.29
4110	357.12	100.6	229.05	55.68
4120	0	102.8	229.33	54.85
4125	0	110	228.41	51.33
4130	0	114	227.59	49.24
4135	0	118	227.59	47.51

Phase 2 - Hour 0:00

ID	Demand (gpm)	Elevation (ft)	Grade (ft)	Pressure (psi)
4140	0	120	227.59	46.64
4150	57.6	125	226.57	44.03
4160	115.2	119	225.67	46.24
4170	0	119	531.93	179.01
5000	0	115	254.02	60.27
5008	0	117	254.02	59.4
5010	0	120	254.02	58.1
5020	0	127	254.67	55.35
5026	203.56	130	258.43	55.67
5030	0	126	254.02	55.5
5108	332.12	136	230.42	40.93
5110	0	136	230.42	40.93
5133	0	130	275.78	63.2
5134	0	155	305.35	65.18
5135	0	155	305.35	65.18
6052	0	185	397.7	92.21
6060	53.57	155.8	380.21	97.28
6062	0	155	370.42	93.39
6064	0	155	370.42	93.39
6066	0	100	283.19	79.41
6068	0	200	283.19	36.06
6070	0	180	283.19	44.73
6072	0	153.8	318.71	71.49
6075	0	180	283.19	44.73
6077	0	200	283.19	36.06
6079	0	118	227.59	47.51
6097	0	146	163.67	7.66
6099	0	146	163.67	7.66
6101	0	146	321.95	76.28
6105	0	100.5	129	12.35
6108	0	184	402.44	94.69
6110	0	100	531.7	187.14
6112	0	100	531.7	187.14
9000	64.28	100	531.77	187.17
9010	115.2	150	531.57	165.41
9020	0	155	531.46	163.19
9030	195.84	145	530.98	167.32
10000	0	192.2	469.4	120.17
10002	0	74	288	92.77
10004	0	130	321.55	83.04
10010	42.85	184	399.97	93.62
10090	50	184	402.44	94.69
10100	53.57	180	387.04	89.75
10110	122.02	180	373.62	83.94
10120	139.28	170	354.53	79.99
10130	71.42	165	346.13	78.52
10131	0	166	343.47	76.93
10132	17.86	168	343.45	76.06
10133	253.56	163	337.76	75.76

Phase 2 - Hour 0:00

ID	Demand (gpm)	Elevation (ft)	Grade (ft)	Pressure (psi)
10134	0	157	334.81	77.08
10135	217.84	157	333.73	76.61
10136	0	151	333.44	79.09
10137	0	149	332.69	79.63
10138	53.57	146	332.62	80.9
10139	221.41	146	332.32	80.77
10140	0	160	335.67	76.15
10141	0	147	332.3	80.33
10142	53.57	146	332.22	80.72
10143	0	138	332.3	84.23
10144	0	147	332.44	80.39
10150	0	159	322.69	70.96
10155	3,571.20	160	312.87	66.27
10160	17.86	147	308.38	69.96
10180	17.86	151	333.09	78.93
10200	0	163	337.52	75.65
10202	0	163	337.32	75.57

Phase 2 - Hour 7:00

ID	Demand (gpm)	Elevation (ft)	Grade (ft)	Pressure (psi)
1000	0	70	288	94.5
1010	0	74	287.92	92.73
1020	0	70	287.63	94.34
1030	99.36	83.5	283.58	86.74
1040	0	95.2	283.58	81.66
1050	0	80	283.58	88.25
1060	0	78	283.58	89.12
1070	43.2	95.4	282.02	80.9
1080	43.2	96.2	280.12	79.73
1090	130.69	103.8	278.79	75.86
1092	0	103	278.34	76.01
1094	0	102	278.51	76.52
1096	198.2	101	276.23	75.96
1098	42.85	105	278.34	75.14
1100	89.28	92	274.31	79.03
1110	246.41	96	271.66	76.15
1120	0	111.4	277.91	72.18
1130	0	115	276.87	70.17
1140	85.71	120	274.62	67.03
1150	0	113.4	277.84	71.28
1160	0	132	275.46	62.19
1170	0	130	274.92	62.82
1180	0	117.5	274.69	68.14
1190	0	69	274.69	89.16
1200	43.2	115.6	274.35	68.82
1202	0	111	273.48	70.43
1203	0	110	273.48	70.87
1204	0	118	273.48	67.4
1205	0	118	273.18	67.27
1210	0	116.8	272.48	67.49
1211	0	120.5	271.98	65.67
1220	0	121	269.69	64.46
1231	0	124	269.21	62.95
1232	0	125	269.16	62.49
1233	0	127	268.9	61.51
1234	0	127	268.9	61.51
1235	0	129	268.9	60.65
1240	25	117.8	266.52	64.47
1241	0	123	265.84	61.92
1250	0	127.4	263.78	59.12
1260	0	122.6	263.78	61.2
1270	64.28	132.4	262.02	56.19
1280	71.42	141.5	257.31	50.2
1285	629.92	138	259.4	52.62
1290	0	153.8	256.72	44.61
1300	467.83	147.2	251.63	45.27
1310	57.6	134	247.45	49.18
1320	0	134	246.6	48.81
1330	0	86	241.02	67.2

Phase 2 - Hour 7:00

ID	Demand (gpm)	Elevation (ft)	Grade (ft)	Pressure (psi)
1333	0	94	241.5	63.94
1334	40.32	96	241.28	62.98
1335	0	99	241.01	61.56
1336	0	105	240.27	58.64
1337	0	105	240.02	58.53
1338	248	108	239.63	57.06
1340	43.2	75.5	239.28	71
1341	0	96	241.28	62.98
1342	0	91	241.28	65.15
1343	0	91	241.28	65.15
1344	0	79	241.28	70.35
1345	0	77	241.28	71.22
1346	0	78	241.28	70.78
1347	0	94	241.28	63.85
1350	0	76.8	238.62	70.15
1360	0	78.2	238.62	69.54
1370	43.2	77.6	238.13	69.59
1380	0	77.2	236.65	69.12
1381	0	77.2	236.65	69.12
1390	0	66.8	236.65	73.63
1400	0	75.5	235.7	69.44
1410	728	74.2	233.24	68.94
1411	0	74.2	233.24	68.94
1420	104.08	127	268.53	61.35
1430	0	145	268.53	53.55
1440	0	144	268.53	53.98
1500	0	86	266.64	78.31
1502	21.43	90.5	273.23	79.21
1504	89.28	92	269.55	76.97
1506	0	89	269.39	78.2
1510	0	84.4	266.64	79
1520	82.08	88.3	265.76	76.93
1530	0	88.8	260.16	74.29
1540	0	88.8	256.5	72.7
1550	21.43	90.2	254.3	71.14
1560	0	91.8	240.83	64.6
1570	0	92.4	232.15	60.58
1580	239.64	92.4	226.21	58
1590	0	95.6	212.69	50.76
1595	0	97	204.17	46.46
1596	582.11	97	203.32	46.09
1600	86.4	89.5	279.19	82.23
1610	56.16	89.3	279.08	82.27
1620	0	89.5	278.8	82.06
1630	0	90	278.43	81.68
1640	0	87.3	278.43	82.85
1641	0	89	278.43	82.12
1650	0	92	277.82	80.55
1660	260.7	96.6	268.09	74.34

Phase 2 - Hour 7:00

ID	Demand (gpm)	Elevation (ft)	Grade (ft)	Pressure (psi)
1665	0	107	268.09	69.83
1670	0	91.3	277.82	80.86
1680	0	93	277.82	80.12
1690	0	86.6	277.82	82.89
1691	0	86.6	277.82	82.89
1693	0	86.6	739.15	282.88
1700	0	85.8	739.15	283.23
1710	0	81.8	739.15	284.96
1712	0	81	739.15	285.31
1714	0	77	739.15	287.04
1716	0	77	739.15	287.04
1720	0	79.2	739.15	286.09
1730	0	83.8	739.15	284.1
1740	0	81.4	739.15	285.14
1750	0	80.4	739.15	285.57
1755	0	76	739.15	287.48
1757	0	75	739.15	287.91
1758	0	75	955.15	381.55
2010	0	68.5	287.63	94.99
2020	0	66	287.62	96.07
2030	0	71	287.6	93.9
2040	0	71	287.6	93.9
2050	0	73.5	287.59	92.81
2060	0	72	287.58	93.46
2065	0	69	287.58	94.76
2070	0	75	287.56	92.14
2080	0	74.5	287.56	92.36
2090	0	75	287.56	92.14
2100	0	75.6	287.54	91.88
2110	0	77	287.54	91.27
2120	43.2	77	287.54	91.27
2130	43.2	70.4	287.52	94.12
2140	47.52	66.4	287.52	95.85
2150	0	62.8	287.52	97.41
2160	0	77	287.54	91.27
2170	0	76.5	287.54	91.48
2180	0	77.2	287.54	91.18
2190	0	77.8	287.54	90.92
2191	1,071.36	77.8	287.52	90.91
2200	43.2	73.5	287.84	92.92
2210	0	73.6	287.84	92.87
2220	0	73.4	287.84	92.96
2230	43.2	75	288.2	92.42
2240	43.2	81	288.39	89.9
2245	138.24	79	288.71	90.91
2250	107.14	70.5	280.33	90.96
2255	86.4	74	282.54	90.4
2256	0	74	282.77	90.5
2260	0	71.8	280.33	90.4

Phase 2 - Hour 7:00

ID	Demand (gpm)	Elevation (ft)	Grade (ft)	Pressure (psi)
2270	0	72.4	280.33	90.14
2280	0	72.8	280.33	89.96
2290	0	70	279.64	90.88
2300	139.97	64.2	271.54	89.88
2310	0	68	279.64	91.75
2320	0	66.6	279.64	92.35
2330	0	67.8	279.64	91.83
2340	0	75	279.64	88.71
2350	0	67	279.64	92.18
2360	0	84.8	289.17	88.59
2370	43.2	88.5	291.7	88.09
2380	0	94	298.47	88.64
2390	107.14	98	304.52	89.53
2400	0	100.5	306.25	89.19
2410	0	104.5	308.75	88.54
2420	0	102.8	308.75	89.28
2430	51.78	109.6	317.72	90.22
2440	0	113.6	327.47	92.71
2442	0	112	325.19	92.42
2444	0	112	331.32	95.08
2446	0	112	331.32	95.08
2447	0	112	331.32	95.08
2448	507.11	112	331.32	95.08
2450	0	114.8	333.45	94.78
2460	0	118.3	348.86	99.95
2463	0	118	336.67	94.79
2464	725.76	115	334.91	95.33
2465	0	116	339.29	96.8
2466	0	120	336.67	93.93
2467	0	120	336.67	93.93
2468	0	116	336.67	95.66
2469	0	130	336.67	89.59
2470	0	117.4	346.44	99.29
2471	0	115	336.67	96.09
2472	0	132.5	336.67	88.51
2473	0	119.6	336.67	94.1
2474	0	120	336.67	93.93
2476	0	120	336.67	93.93
2480	75.34	116.8	345.77	99.26
2487	0	94	298.47	88.64
2489	0	113.6	327.52	92.73
2500	0	96.2	306.25	91.06
2501	0	96.2	306.25	91.06
3000	0	130	280.18	65.1
3001	25	130	280.18	65.1
3010	25	130	289.81	69.28
3012	0	138	289.81	65.81
3014	0	130	289.81	69.28
3016	0	137.6	289.81	65.98

Phase 2 - Hour 7:00

ID	Demand (gpm)	Elevation (ft)	Grade (ft)	Pressure (psi)
3030	0	148.8	302.02	66.42
3040	92.9	156.8	313.27	67.83
3050	249.98	155	318.88	71.04
3055	997.85	153	196.88	19.02
3060	0	153.2	334.01	78.38
3070	0	152.7	357.12	88.62
3080	0	155.8	388.27	100.78
3090	0	158.8	403.81	106.21
3100	0	165.2	426.44	113.25
3105	0	167	426.44	112.47
3107	0	164	426.44	113.77
3109	0	200	465.73	115.2
3110	0	208.6	461.87	109.79
3113	0	187	468.28	121.94
3120	0	202.6	463.69	113.18
3125	0	215	463.02	107.51
3130	0	229.8	464.65	101.81
3140	159.84	222.2	465.73	105.57
3150	0	268.8	467.29	86.05
3160	0	203.2	468.01	114.8
3170	0	192.2	469.4	120.17
3180	0	185.6	469.37	123.01
3190	0	192.2	469.34	120.14
3200	53.57	203	469.31	115.45
3201	0	203	469.31	115.45
3210	0	184	469.09	123.59
3220	0	250	461.87	91.85
3230	0	259	461.87	87.94
3240	0	280	461.87	78.84
3250	0	245	461.87	94.01
3260	0	280	461.87	78.84
3300	0	300	467.29	72.52
3310	0	435	467.29	14
4000	43.2	83	289.23	89.4
4010	0	82.4	289.26	89.67
4020	0	81.8	289.09	89.86
4030	60.48	75.2	288.39	92.42
4040	0	75.2	288.04	92.27
4050	0	73.6	287.83	92.87
4060	0	72	287.72	93.51
4070	0	71	287.57	93.88
4080	64.8	70	287.16	94.14
4090	0	90.2	297.26	89.76
4100	0	99.5	304.15	88.72
4110	0	100.6	304.15	88.24
4120	0	102.8	304.58	87.47
4125	0	110	303.06	83.69
4130	0	114	301.7	81.37
4135	0	118	296.15	77.23

Phase 2 - Hour 7:00

ID	Demand (gpm)	Elevation (ft)	Grade (ft)	Pressure (psi)
4140	221.41	120	295.42	76.05
4150	0	125	301.69	76.6
4160	0	119	301.69	79.2
4170	0	119	609.69	212.71
5000	0	115	345.77	100.04
5008	0	117	345.77	99.17
5010	0	120	345.77	97.87
5020	0	127	376.49	108.15
5026	0	130	376.49	106.85
5030	0	126	345.77	95.27
5108	0	136	376.49	104.25
5110	0	136	376.49	104.25
5133	0	130	376.49	106.85
5134	0	155	408.87	110.05
5135	146.42	155	425.73	117.36
6052	0	185	467.48	122.45
6060	0	155.8	388.27	100.78
6062	0	155	256.84	44.15
6064	482.11	155	225.16	30.42
6066	0	100	245.3	62.99
6068	0	200	245.3	19.64
6070	0	180	245.3	28.31
6072	0	153.8	255.81	44.22
6075	0	180	245.3	28.31
6077	0	200	245.3	19.64
6079	478.54	118	295.95	77.14
6097	0	146	158.29	5.33
6099	0	146	158.47	5.4
6101	0	146	255.56	47.5
6105	0	100.5	129	12.35
6108	99.99	184	469.09	123.59
6110	0	100	609.68	220.95
6112	0	100	609.68	220.95
9000	0	100	609.68	220.95
9010	0	150	609.68	199.27
9020	21.43	155	609.68	197.1
9030	0	145	609.68	201.44
10000	0	192.2	469.4	120.17
10002	0	74	288	92.77
10004	0	130	280.18	65.1
10010	0	184	468.28	123.24
10090	0	184	469.09	123.59
10100	0	180	463.84	123.04
10110	14.88	180	459.2	121.03
10120	0	170	452.46	122.45
10130	0	165	449.4	123.29
10131	0	166	449.39	122.85
10132	0	168	449.39	121.98
10133	0	163	449.38	124.15

Phase 2 - Hour 7:00

ID	Demand (gpm)	Elevation (ft)	Grade (ft)	Pressure (psi)
10134	0	157	449.37	126.74
10135	0	157	449.37	126.74
10136	0	151	449.35	129.33
10137	0	149	449.34	130.2
10138	0	146	449.34	131.5
10139	0	146	449.33	131.49
10140	0	160	444.74	123.44
10141	0	147	449.32	131.06
10142	0	146	449.32	131.49
10143	32.14	138	449.31	134.95
10144	0	147	449.33	131.06
10150	357.12	159	438.96	121.36
10155	0	160	435.17	119.29
10160	282.12	147	429.28	122.37
10180	0	151	449.34	129.33
10200	0	163	449.38	124.15
10202	0	163	449.38	124.14

Phase 3 - Hour 0:00

ID	Demand (gpm)	Elevation (ft)	Grade (ft)	Pressure (psi)
1000	0	70	288	94.5
1010	0	74	287.85	92.7
1020	0	70	287.35	94.22
1030	0	83.5	286.84	88.15
1040	0	95.2	280.89	80.5
1050	63.36	80	280.36	86.85
1060	334.08	78	279.05	87.16
1070	0	95.4	286.71	82.93
1080	125.45	96.2	286.56	82.52
1090	0	103.8	286.82	79.34
1092	0	103	287	79.76
1094	0	102	286.93	80.17
1096	0	101	287	80.63
1098	50	105	286.7	78.77
1100	286.62	92	281.98	82.36
1110	63.36	96	281.77	80.53
1120	0	111.4	287.21	76.21
1130	125.11	115	274.06	68.95
1140	213.24	120	261.91	61.52
1150	0	113.4	287.25	75.37
1160	0	132	288.93	68.03
1170	0	130	289.31	69.06
1180	0	117.5	289.47	74.55
1190	316.8	69	276.05	89.76
1200	0	115.6	289.78	75.51
1202	67.85	111	289.97	77.58
1203	0	110	290.18	78.11
1204	0	118	290.6	74.82
1205	57.6	118	290.89	74.95
1210	0	116.8	291.62	75.78
1211	57.6	120.5	292.13	74.4
1220	296.06	121	294.59	75.25
1231	181.9	124	231.51	46.61
1232	57.6	125	226.29	43.91
1233	126.72	127	201.45	32.27
1234	288	127	195.83	29.84
1235	182.59	129	200.74	31.1
1240	57.6	117.8	304.11	80.77
1241	0	123	306.23	79.43
1250	0	127.4	312.71	80.33
1260	82.14	122.6	311.51	81.89
1270	0	132.4	318.41	80.64
1280	60.71	141.5	321.95	78.22
1285	629.92	138	319.89	78.85
1290	0	153.8	320.66	72.33
1300	0	147.2	309.66	70.43
1310	0	134	292.75	68.82
1320	0	134	288.97	67.18
1330	97.92	86	265.58	77.85

Phase 3 - Hour 0:00

ID	Demand (gpm)	Elevation (ft)	Grade (ft)	Pressure (psi)
1333	316.8	94	266.27	74.68
1334	0	96	263.45	72.59
1335	0	99	259.72	69.67
1336	60.48	105	249.6	62.69
1337	0	105	246.51	61.35
1338	962.24	108	241.63	57.93
1340	0	75.5	263.47	81.49
1341	0	96	261.59	71.78
1342	42.85	91	260.24	73.37
1343	89.28	91	260.18	73.34
1344	0	79	260.18	78.54
1345	0	77	260.18	79.41
1346	0	78	260.18	78.97
1347	0	94	260.92	72.36
1350	0	76.8	262.59	80.54
1360	115.2	78.2	260.1	78.85
1370	0	77.6	262.08	79.97
1380	0	77.2	260.38	79.41
1381	0	77.2	260.38	79.41
1390	0	66.8	260.38	83.92
1400	57.6	75.5	259.29	79.67
1410	728	74.2	256.83	79.17
1411	0	74.2	256.83	79.17
1420	172.8	127	191.3	27.88
1430	407.12	145	175.8	13.35
1440	42.85	144	175.71	13.75
1500	57.6	86	266.06	78.06
1502	0	90.5	276.53	80.64
1504	57.6	92	274.89	79.28
1506	57.6	89	270.21	78.56
1510	303.32	84.4	252.03	72.67
1520	0	88.3	266.06	77.06
1530	125.45	88.8	260.28	74.34
1540	57.6	88.8	257.91	73.31
1550	0	90.2	256.69	72.17
1560	89.28	91.8	248.93	68.12
1570	0	92.4	245.2	66.24
1580	174.84	92.4	242.64	65.13
1590	0	95.6	237.48	61.5
1595	345.95	97	234.23	59.49
1596	0	97	234.23	59.49
1600	0	89.5	279.45	82.34
1610	0	89.3	278.09	81.84
1620	57.6	89.5	273.31	79.68
1630	0	90	267.49	76.94
1640	57.6	87.3	262.71	76.04
1641	155.52	89	260.91	74.52
1650	0	92	260.97	73.25
1660	69.12	96.6	260.14	70.89

Phase 3 - Hour 0:00

ID	Demand (gpm)	Elevation (ft)	Grade (ft)	Pressure (psi)
1665	0	107	260.14	66.39
1670	157.13	91.3	259.81	73.05
1680	57.6	93	259.51	72.18
1690	0	86.6	200.18	49.24
1691	0	86.6	199.76	49.05
1693	0	86.6	583.63	215.46
1700	0	85.8	534.32	194.43
1710	0	81.8	426.97	149.63
1712	0	81	418.47	146.29
1714	107.14	77	410.89	144.74
1716	0	77	410.89	144.74
1720	121.88	79.2	417.35	146.59
1730	57.6	83.8	419.37	145.47
1740	129.25	81.4	410.96	142.87
1750	57.6	80.4	410.42	143.06
1755	182.13	76	408.63	144.2
1757	0	75	408.63	144.63
1758	0	75	624.63	238.27
2010	0	68.5	286.23	94.39
2020	0	66	281.94	93.61
2030	0	71	274.79	88.34
2040	57.6	71	274.7	88.3
2050	0	73.5	272.21	86.14
2060	0	72	268.62	85.24
2065	108.4	69	268.01	86.27
2070	0	75	260.7	80.5
2080	0	74.5	256.13	78.74
2090	189.04	75	251.42	76.48
2100	0	75.6	255.22	77.86
2110	0	77	253.76	76.63
2120	196.42	77	253.33	76.44
2130	57.6	70.4	253.07	79.19
2140	132.48	66.4	252.9	80.85
2150	204.02	62.8	252.83	82.38
2160	0	77	250.83	75.35
2170	241.92	76.5	250.69	75.51
2180	57.6	77.2	250.69	75.21
2190	0	77.8	250.63	74.92
2191	0	77.8	250.63	74.92
2200	57.6	73.5	245.96	74.76
2210	115.2	73.6	244.66	74.15
2220	149.76	73.4	244.49	74.17
2230	0	75	241.62	72.23
2240	0	81	239.55	68.73
2245	57.6	79	238.35	69.08
2250	0	70.5	167.97	42.25
2255	0	74	194.96	52.43
2256	115.2	74	194.96	52.43
2260	57.6	71.8	157.19	37.02

Phase 3 - Hour 0:00

ID	Demand (gpm)	Elevation (ft)	Grade (ft)	Pressure (psi)
2270	57.6	72.4	148.68	33.07
2280	307.58	72.8	143.43	30.62
2290	57.6	70	161.12	39.5
2300	0	64.2	161.12	42.02
2310	57.6	68	148.75	35
2320	144	66.6	145.97	34.41
2330	0	67.8	147.77	34.67
2340	115.2	75	147.48	31.42
2350	109.44	67	143.51	33.17
2360	107.14	84.8	236.98	65.97
2370	466.56	88.5	232.03	62.22
2380	0	94	225.95	57.2
2390	0	98	220.52	53.11
2400	57.6	100.5	219.22	51.46
2410	0	104.5	222.97	51.35
2420	207.36	102.8	209.72	46.35
2430	0	109.6	228.19	51.41
2440	57.6	113.6	233.67	52.05
2442	0	112	232.39	52.19
2444	0	112	243.46	56.99
2446	0	112	243.46	56.99
2447	0	112	243.46	56.99
2448	0	112	243.46	56.99
2450	0	114.8	237.22	53.07
2460	0	118.3	246.19	55.44
2463	0	118	239.33	52.6
2464	0	115	239.33	53.9
2465	0	116	240.68	54.05
2466	0	120	227.06	46.41
2467	0	120	226.14	46.01
2468	0	116	238.42	53.07
2469	0	130	216.15	37.35
2470	25	117.4	244.01	54.88
2471	0	115	238.42	53.5
2472	307.12	132.5	215.96	36.18
2473	21.43	119.6	237.64	51.17
2474	107.14	120	226.1	45.99
2476	71.42	120	227.05	46.4
2480	525.89	116.8	243.46	54.91
2487	0	94	225.95	57.2
2489	0	113.6	233.7	52.06
2500	110.71	96.2	192.86	41.9
2501	2,310.57	96.2	191.35	41.25
3000	0	130	322.49	83.44
3001	0	130	321.55	83.04
3010	28.57	130	324.12	84.15
3012	115.2	138	312.57	75.67
3014	246.41	130	310.75	78.36
3016	0	137.6	310.75	75.06

Phase 3 - Hour 0:00

ID	Demand (gpm)	Elevation (ft)	Grade (ft)	Pressure (psi)
3030	28.57	148.8	327.93	77.65
3040	92.9	156.8	331.57	75.76
3050	57.6	155	333.49	77.37
3055	37.2	153	333.28	78.15
3060	0	153.2	335.78	79.15
3070	57.14	152.7	339.27	80.88
3080	57.6	155.8	344.3	81.72
3090	0	158.8	347.14	81.64
3100	226.14	165.2	351.26	80.66
3105	138.24	167	341.68	75.72
3107	32.14	164	341.57	76.98
3109	85.71	200	362.1	70.27
3110	567.82	208.6	360.7	65.94
3113	0	187	363.09	76.34
3120	0	202.6	361.63	68.94
3125	57.6	215	361.28	63.41
3130	57.6	229.8	362.12	57.36
3140	0	222.2	362.7	60.91
3150	0	268.8	363.53	41.06
3160	0	203.2	364.51	69.93
3170	0	192.2	366.39	75.51
3180	0	185.6	366.29	78.33
3190	0	192.2	364.07	74.5
3200	28.57	203	361.57	68.74
3201	535.68	203	361.47	68.7
3210	89.28	184	365.47	78.67
3220	0	250	360.64	47.96
3230	0	259	357.89	42.87
3240	21.43	280	357.55	33.62
3250	221.88	245	305.73	26.33
3260	57.6	280	360.63	34.95
3300	2,142.72	300	363.21	27.4
3310	0	435	363.21	-31.12
4000	0	83	236.67	66.62
4010	0	82.4	236.58	66.84
4020	69.12	81.8	234.22	66.07
4030	0	75.2	226.37	65.53
4040	307.12	75.2	213.25	59.84
4050	0	73.6	212.22	60.09
4060	0	72	211.64	60.53
4070	154.25	71	210.88	60.64
4080	0	70	210.88	61.07
4090	118.31	90.2	228.12	59.79
4100	0	99.5	222.83	53.46
4110	357.12	100.6	222.52	52.85
4120	0	102.8	222.76	52
4125	0	110	221.85	48.49
4130	0	114	221.03	46.4
4135	0	118	221.03	44.66

Phase 3 - Hour 0:00

ID	Demand (gpm)	Elevation (ft)	Grade (ft)	Pressure (psi)
4140	0	120	221.03	43.79
4150	57.6	125	220	41.18
4160	115.2	119	219.1	43.39
4170	0	119	525.37	176.16
5000	0	115	243.46	55.69
5008	0	117	243.46	54.82
5010	0	120	243.46	53.52
5020	0	127	242.19	49.94
5026	203.56	130	245.95	50.26
5030	0	126	243.46	50.92
5040	0	126	294.25	72.94
5050	0	135	294.53	69.16
5060	0	135	294.53	69.16
5065	0	136	294.53	68.72
5070	0	138	294.53	67.86
5080	0	136	294.53	68.72
5090	0	138	294.54	67.86
5095	0	145	293.2	64.25
5100	0	141	293.89	66.28
5108	332.12	136	217.94	35.52
5110	0	136	217.94	35.52
5120	53.57	154	292.05	59.85
5130	153.56	148	290.5	61.77
5133	0	130	263.31	57.79
5134	0	155	290.31	58.66
5135	0	155	290.31	58.66
5140	53.57	155	290.66	58.81
5150	160.7	185	328.63	62.26
5160	0	140	295.85	67.56
5170	0	143	297.01	66.77
5180	0	141	296.84	67.56
5190	0	146	298.15	65.96
5200	0	144	298.99	67.19
5210	0	151	298.99	64.16
5212	0	150	298.99	64.59
5220	0	139	300.67	70.08
5230	0	138	296.58	68.75
5240	0	138	296.58	68.75
5245	0	138	296.58	68.75
5250	0	137	300.67	70.95
5260	0	138	300.67	70.52
5270	0	147	303.27	67.74
5280	303.8	141	305.49	71.31
5290	0	139	305.49	72.17
5300	0	146	307.79	70.13
5310	103.56	145	303.55	68.73
5320	249.98	150	308.48	68.7
5330	0	157	315.17	68.57
5340	0	153	315.17	70.3

Phase 3 - Hour 0:00

ID	Demand (gpm)	Elevation (ft)	Grade (ft)	Pressure (psi)
5350	0	164	318.04	66.78
5360	0	170	318.04	64.18
5370	0	164	320.33	67.77
5380	0	175	320.33	63
5390	0	175	320.33	63
5400	0	170	320.33	65.17
5410	0	175	325.35	65.18
5420	0	190	334.14	62.49
5430	0	210	338.03	55.5
5440	0	205	338.03	57.67
5450	117.85	240	344.89	45.47
5460	0	352	453.75	44.11
5461	0	352	358.45	2.8
5462	0	352	360.29	3.59
5464	0	352	362.49	4.55
5466	2	352	363.27	4.89
5470	1,785.60	240	438.89	86.22
5490	89.28	135	294.44	69.12
5500	103.56	130	294.25	71.2
6000	146.42	183	359.5	76.51
6002	0	185	359.5	75.65
6004	96.42	190	358.04	72.85
6008	0	255	356.78	44.12
6010	0	197	358.43	69.98
6020	178.56	204.2	358.25	66.78
6042	0	195	345.63	65.3
6043	0	199	345.63	63.56
6044	0	191	344.24	66.43
6045	0	198	344.24	63.39
6046	189.27	190	343.12	66.38
6047	107.14	200	344.96	62.84
6048	121.42	290	352.03	26.89
6049	0	296	355.14	25.64
6052	0	185	360.73	76.18
6054	50	283.19	355.64	31.41
6056	32.14	325.17	355.1	12.97
6058	0	336.83	355.09	7.92
6060	53.57	155.8	343.22	81.25
6062	0	155	333.42	77.35
6064	0	155	333.42	77.35
6066	0	100	283.19	79.41
6068	0	200	283.19	36.06
6070	0	180	283.19	44.73
6072	0	153.8	318.7	71.48
6075	0	180	283.19	44.73
6077	0	200	283.19	36.06
6079	0	118	221.03	44.66
6097	0	146	163.67	7.66
6099	0	146	163.67	7.66

Phase 3 - Hour 0:00

ID	Demand (gpm)	Elevation (ft)	Grade (ft)	Pressure (psi)
6101	0	146	321.95	76.27
6105	0	100.5	129	12.35
6108	0	184	365.47	78.67
6110	0	100	525.13	184.3
6112	0	100	525.13	184.3
9000	64.28	100	525.21	184.33
9010	115.2	150	525	162.56
9020	0	155	524.89	160.35
9030	195.84	145	524.42	164.48
10000	0	192.2	469.4	120.17
10002	0	74	288	92.77
10004	0	130	321.55	83.04
10010	42.85	184	363	77.6
10090	50	184	365.47	78.67
10100	53.57	180	352.27	74.68
10110	122.02	180	341.62	70.06
10120	139.28	170	326.54	67.86
10130	71.42	165	319.92	67.16
10131	0	166	317.27	65.58
10132	17.86	168	317.25	64.7
10133	253.56	163	311.55	64.4
10134	0	157	308.61	65.72
10135	217.84	157	307.52	65.25
10136	0	151	307.23	67.73
10137	0	149	306.48	68.27
10138	53.57	146	306.41	69.54
10139	221.41	146	306.12	69.41
10140	0	160	311.95	65.87
10141	0	147	306.09	68.97
10142	53.57	146	306.01	69.36
10143	0	138	306.09	72.87
10144	0	147	306.23	69.03
10150	0	159	302.05	62.01
10155	3,571.20	160	294.57	58.34
10160	17.86	147	292.02	62.87
10180	17.86	151	306.88	67.57
10200	0	163	311.31	64.29
10202	0	163	311.12	64.21

Phase 3 - Hour 7:00

ID	Demand (gpm)	Elevation (ft)	Grade (ft)	Pressure (psi)
1000	0	70	288	94.5
1010	0	74	287.91	92.73
1020	0	70	287.59	94.33
1030	99.36	83.5	283.54	86.72
1040	0	95.2	283.54	81.65
1050	0	80	283.54	88.23
1060	0	78	283.54	89.1
1070	43.2	95.4	281.98	80.88
1080	43.2	96.2	280.08	79.71
1090	130.69	103.8	278.75	75.84
1092	0	103	278.3	75.99
1094	0	102	278.47	76.5
1096	198.2	101	276.19	75.94
1098	42.85	105	278.3	75.12
1100	89.28	92	274.27	79.01
1110	246.41	96	271.62	76.13
1120	0	111.4	277.87	72.16
1130	0	115	276.83	70.15
1140	85.71	120	274.58	67.01
1150	0	113.4	277.8	71.27
1160	0	132	275.42	62.17
1170	0	130	274.88	62.81
1180	0	117.5	274.65	68.12
1190	0	69	274.65	89.15
1200	43.2	115.6	274.31	68.8
1202	0	111	273.44	70.42
1203	0	110	273.44	70.85
1204	0	118	273.44	67.38
1205	0	118	273.15	67.26
1210	0	116.8	272.44	67.47
1211	0	120.5	271.94	65.65
1220	0	121	269.65	64.44
1231	0	124	269.18	62.93
1232	0	125	269.13	62.48
1233	0	127	268.86	61.5
1234	0	127	268.86	61.5
1235	0	129	268.86	60.63
1240	25	117.8	266.48	64.45
1241	0	123	265.81	61.91
1250	0	127.4	263.74	59.1
1260	0	122.6	263.74	61.19
1270	64.28	132.4	261.99	56.18
1280	71.42	141.5	257.28	50.19
1285	629.92	138	259.36	52.61
1290	0	153.8	256.68	44.6
1300	467.83	147.2	251.6	45.26
1310	57.6	134	247.42	49.17
1320	0	134	246.57	48.8
1330	0	86	240.99	67.19

Phase 3 - Hour 7:00

ID	Demand (gpm)	Elevation (ft)	Grade (ft)	Pressure (psi)
1333	0	94	241.46	63.92
1334	40.32	96	241.25	62.96
1335	0	99	240.97	61.55
1336	0	105	240.24	58.63
1337	0	105	239.99	58.52
1338	248	108	239.59	57.04
1340	43.2	75.5	239.24	70.98
1341	0	96	241.25	62.96
1342	0	91	241.25	65.13
1343	0	91	241.25	65.13
1344	0	79	241.25	70.33
1345	0	77	241.25	71.2
1346	0	78	241.25	70.77
1347	0	94	241.25	63.83
1350	0	76.8	238.58	70.13
1360	0	78.2	238.58	69.53
1370	43.2	77.6	238.09	69.57
1380	0	77.2	236.61	69.11
1381	0	77.2	236.61	69.11
1390	0	66.8	236.61	73.61
1400	0	75.5	235.66	69.43
1410	728	74.2	233.21	68.93
1411	0	74.2	233.21	68.93
1420	104.08	127	268.49	61.34
1430	0	145	268.49	53.53
1440	0	144	268.49	53.97
1500	0	86	266.6	78.29
1502	21.43	90.5	273.19	79.2
1504	89.28	92	269.51	76.95
1506	0	89	269.35	78.18
1510	0	84.4	266.6	78.98
1520	82.08	88.3	265.72	76.91
1530	0	88.8	260.12	74.27
1540	0	88.8	256.46	72.68
1550	21.43	90.2	254.26	71.12
1560	0	91.8	240.79	64.59
1570	0	92.4	232.11	60.57
1580	239.64	92.4	226.17	57.99
1590	0	95.6	212.65	50.74
1595	0	97	204.13	46.44
1596	582.11	97	203.28	46.07
1600	86.4	89.5	279.15	82.21
1610	56.16	89.3	279.04	82.25
1620	0	89.5	278.76	82.04
1630	0	90	278.39	81.67
1640	0	87.3	278.39	82.84
1641	0	89	278.39	82.1
1650	0	92	277.78	80.53
1660	260.7	96.6	268.05	74.32

Phase 3 - Hour 7:00

ID	Demand (gpm)	Elevation (ft)	Grade (ft)	Pressure (psi)
1665	0	107	268.05	69.81
1670	0	91.3	277.78	80.84
1680	0	93	277.78	80.1
1690	0	86.6	277.78	82.88
1691	0	86.6	277.78	82.88
1693	0	86.6	739.11	282.86
1700	0	85.8	739.11	283.21
1710	0	81.8	739.11	284.95
1712	0	81	739.11	285.29
1714	0	77	739.11	287.03
1716	0	77	739.11	287.03
1720	0	79.2	739.11	286.07
1730	0	83.8	739.11	284.08
1740	0	81.4	739.11	285.12
1750	0	80.4	739.11	285.55
1755	0	76	739.11	287.46
1757	0	75	739.11	287.89
1758	0	75	955.11	381.53
2010	0	68.5	287.58	94.97
2020	0	66	287.52	96.03
2030	0	71	287.43	93.82
2040	0	71	287.43	93.82
2050	0	73.5	287.39	92.72
2060	0	72	287.34	93.35
2065	0	69	287.34	94.65
2070	0	75	287.23	92
2080	0	74.5	287.23	92.22
2090	0	75	287.23	92
2100	0	75.6	287.15	91.71
2110	0	77	287.12	91.09
2120	43.2	77	287.12	91.09
2130	43.2	70.4	287.1	93.94
2140	47.52	66.4	287.1	95.67
2150	0	62.8	287.1	97.23
2160	0	77	287.09	91.07
2170	0	76.5	287.09	91.29
2180	0	77.2	287.09	90.99
2190	0	77.8	287.09	90.73
2191	1,071.36	77.8	287.07	90.72
2200	43.2	73.5	287.24	92.66
2210	0	73.6	287.24	92.61
2220	0	73.4	287.24	92.7
2230	43.2	75	287.42	92.09
2240	43.2	81	287.52	89.53
2245	138.24	79	287.73	90.48
2250	107.14	70.5	279.47	90.59
2255	86.4	74	281.68	90.03
2256	0	74	281.9	90.13
2260	0	71.8	279.47	90.02

Phase 3 - Hour 7:00

ID	Demand (gpm)	Elevation (ft)	Grade (ft)	Pressure (psi)
2270	0	72.4	279.47	89.76
2280	0	72.8	279.47	89.59
2290	0	70	278.78	90.5
2300	139.97	64.2	270.68	89.51
2310	0	68	278.78	91.37
2320	0	66.6	278.78	91.98
2330	0	67.8	278.78	91.46
2340	0	75	278.78	88.34
2350	0	67	278.78	91.81
2360	0	84.8	288.04	88.1
2370	43.2	88.5	289.82	87.27
2380	0	94	294.67	86.99
2390	107.14	98	299	87.14
2400	0	100.5	300.29	86.61
2410	0	104.5	302.13	85.67
2420	0	102.8	302.13	86.41
2430	51.78	109.6	309.25	86.55
2440	0	113.6	317.02	88.18
2442	0	112	315.2	88.09
2444	0	112	316.93	88.84
2446	0	112	316.93	88.84
2447	0	112	316.93	88.84
2448	507.11	112	316.93	88.84
2450	0	114.8	321.79	89.73
2460	0	118.3	334.47	93.71
2463	0	118	323.82	89.22
2464	725.76	115	322.06	89.76
2465	0	116	326.44	91.23
2466	0	120	323.82	88.36
2467	0	120	323.82	88.36
2468	0	116	323.82	90.09
2469	0	130	323.82	84.02
2470	0	117.4	332.05	93.05
2471	0	115	323.82	90.52
2472	0	132.5	323.82	82.94
2473	0	119.6	323.82	88.53
2474	0	120	323.82	88.36
2476	0	120	323.82	88.36
2480	75.34	116.8	331.38	93.02
2487	0	94	294.67	86.99
2489	0	113.6	317.06	88.2
2500	0	96.2	300.29	88.47
2501	0	96.2	300.29	88.47
3000	0	130	280.15	65.09
3001	25	130	280.15	65.09
3010	25	130	289.78	69.26
3012	0	138	289.78	65.8
3014	0	130	289.78	69.26
3016	0	137.6	289.78	65.97

Phase 3 - Hour 7:00

ID	Demand (gpm)	Elevation (ft)	Grade (ft)	Pressure (psi)
3030	0	148.8	301.99	66.41
3040	92.9	156.8	313.25	67.82
3050	249.98	155	318.86	71.03
3055	997.85	153	196.86	19.01
3060	0	153.2	333.99	78.37
3070	0	152.7	357.11	88.61
3080	0	155.8	388.26	100.77
3090	0	158.8	403.8	106.21
3100	0	165.2	426.43	113.24
3105	0	167	426.43	112.46
3107	0	164	426.43	113.76
3109	0	200	465.73	115.19
3110	0	208.6	461.87	109.79
3113	0	187	465.56	120.75
3120	0	202.6	463.69	113.18
3125	0	215	463.01	107.51
3130	0	229.8	464.65	101.81
3140	159.84	222.2	465.73	105.57
3150	0	268.8	467.29	86.05
3160	0	203.2	468.01	114.8
3170	0	192.2	469.4	120.17
3180	0	185.6	469.3	122.98
3190	0	192.2	469.27	120.11
3200	53.57	203	469.24	115.42
3201	0	203	469.24	115.42
3210	0	184	468.35	123.26
3220	0	250	461.87	91.84
3230	0	259	461.87	87.94
3240	0	280	461.87	78.84
3250	0	245	461.87	94.01
3260	0	280	461.87	78.84
3300	0	300	467.29	72.52
3310	0	435	467.29	14
4000	43.2	83	288.08	88.9
4010	0	82.4	288.09	89.17
4020	0	81.8	287.93	89.36
4030	60.48	75.2	287.22	91.91
4040	0	75.2	286.88	91.76
4050	0	73.6	286.67	92.37
4060	0	72	286.55	93.01
4070	0	71	286.4	93.38
4080	64.8	70	286	93.63
4090	0	90.2	293.6	88.18
4100	0	99.5	298.35	86.2
4110	0	100.6	298.35	85.72
4120	0	102.8	298.64	84.9
4125	0	110	297.13	81.12
4130	0	114	295.76	78.79
4135	0	118	290.21	74.65

Phase 3 - Hour 7:00

ID	Demand (gpm)	Elevation (ft)	Grade (ft)	Pressure (psi)
4140	221.41	120	289.49	73.47
4150	0	125	295.75	74.02
4160	0	119	295.75	76.62
4170	0	119	603.75	210.14
5000	0	115	331.38	93.8
5008	0	117	331.38	92.93
5010	0	120	331.38	91.63
5020	0	127	358.27	100.25
5026	0	130	358.27	98.95
5030	0	126	331.38	89.03
5040	0	126	368.92	105.31
5050	0	135	368.92	101.41
5060	0	135	368.66	101.29
5065	0	136	368.37	100.73
5070	539.25	138	318.71	78.34
5080	96.42	136	369	101.01
5090	0	138	369.11	100.19
5095	0	145	373.43	99.02
5100	0	141	371.19	99.79
5108	0	136	358.27	96.35
5110	0	136	358.27	96.35
5120	57.14	154	377.15	96.74
5130	0	148	377.15	99.34
5133	0	130	358.27	98.95
5134	0	155	386.16	100.21
5135	146.42	155	386.16	100.21
5140	0	155	384.17	99.35
5150	0	185	365.09	78.07
5160	26.78	140	367.3	98.53
5170	0	143	365.75	96.56
5180	21.43	141	365.62	97.37
5190	32.14	146	364.56	94.74
5200	635.67	144	363.71	95.24
5210	0	151	360.12	90.65
5212	285.7	150	356.63	89.57
5220	0	139	363.55	97.34
5230	0	138	365.43	98.59
5240	53.57	138	365.43	98.59
5245	0	138	365.52	98.63
5250	75	137	361.76	97.43
5260	0	138	361.76	97
5270	16.07	147	363.39	93.8
5280	303.8	141	363.27	96.35
5290	0	139	363.27	97.22
5300	0	146	363.27	94.19
5310	0	145	363.27	94.62
5320	21.43	150	363.27	92.45
5330	0	157	363.28	89.42
5340	189.27	153	350	85.4

Phase 3 - Hour 7:00

ID	Demand (gpm)	Elevation (ft)	Grade (ft)	Pressure (psi)
5350	0	164	363.34	86.41
5360	0	170	363.34	83.81
5370	0	164	363.39	86.44
5380	0	175	314.85	60.63
5390	396.4	175	308.71	57.96
5400	174.99	170	313.6	62.25
5410	8.04	175	364.41	82.11
5420	16.07	190	366.07	76.33
5430	34.82	210	366.79	67.97
5440	0	205	366.79	70.14
5450	0	240	368.16	55.56
5460	0	352	477.95	54.6
5461	0	352	368.24	7.04
5462	0	352	367.28	6.62
5464	0	352	358.36	2.76
5466	2	352	357.95	2.58
5470	0	240	477.95	103.15
5490	0	135	365.52	99.93
5500	0	130	368.92	103.57
6000	0	183	454.54	117.71
6002	0	185	454.54	116.85
6004	0	190	444.93	110.51
6008	0	255	416.06	69.82
6010	0	197	444.93	107.48
6020	0	204.2	442.98	103.51
6042	0	195	384.59	82.19
6043	0	199	384.59	80.45
6044	0	191	384.59	83.92
6045	0	198	384.59	80.89
6046	0	190	384.59	84.35
6047	0	200	384.59	80.02
6048	0	290	384.59	41
6049	428.54	296	384.59	38.4
6052	0	185	462.77	120.41
6054	0	283.19	395.32	48.61
6056	0	325.17	372.98	20.73
6058	0	336.83	369.99	14.38
6060	0	155.8	388.26	100.77
6062	0	155	256.81	44.14
6064	482.11	155	225.14	30.41
6066	0	100	245.27	62.97
6068	0	200	245.27	19.62
6070	0	180	245.27	28.29
6072	0	153.8	255.78	44.21
6075	0	180	245.27	28.29
6077	0	200	245.27	19.62
6079	478.54	118	290.01	74.57
6097	0	146	158.21	5.29
6099	0	146	158.39	5.37

Phase 3 - Hour 7:00

ID	Demand (gpm)	Elevation (ft)	Grade (ft)	Pressure (psi)
6101	0	146	255.53	47.48
6105	0	100.5	129	12.35
6108	99.99	184	468.35	123.26
6110	0	100	603.75	218.37
6112	0	100	603.75	218.37
9000	0	100	603.75	218.37
9010	0	150	603.75	196.7
9020	21.43	155	603.74	194.53
9030	0	145	603.74	198.87
10000	0	192.2	469.4	120.17
10002	0	74	288	92.77
10004	0	130	280.15	65.09
10010	0	184	465.56	122.05
10090	0	184	468.35	123.26
10100	0	180	456.22	119.74
10110	14.88	180	447.87	116.12
10120	0	170	435.72	115.19
10130	0	165	430.21	114.97
10131	0	166	430.2	114.53
10132	0	168	430.2	113.66
10133	0	163	430.19	115.83
10134	0	157	430.17	118.42
10135	0	157	430.17	118.42
10136	0	151	430.16	121.01
10137	0	149	430.15	121.88
10138	0	146	430.15	123.18
10139	0	146	430.14	123.17
10140	0	160	421.79	113.48
10141	0	147	430.13	122.74
10142	0	146	430.13	123.17
10143	32.14	138	430.12	126.64
10144	0	147	430.14	122.74
10150	357.12	159	411.32	109.38
10155	0	160	404.2	105.86
10160	282.12	147	393.09	106.68
10180	0	151	430.15	121.01
10200	0	163	430.19	115.83
10202	0	163	430.19	115.83

Phase 4 - Hour 0:00

ID	Demand (gpm)	Elevation (ft)	Grade (ft)	Pressure (psi)
1000	0	70	324	110.11
1010	0	74	323.83	108.3
1020	0	70	323.25	109.78
1030	0	83.5	321.68	103.25
1040	0	95.2	315.73	95.6
1050	63.36	80	315.2	101.96
1060	334.08	78	313.9	102.26
1070	0	95.4	321.2	97.88
1080	125.45	96.2	320.61	97.28
1090	0	103.8	320.61	93.99
1092	0	103	320.62	94.34
1094	0	102	320.61	94.77
1096	0	101	320.62	95.2
1098	50	105	320.38	93.37
1100	286.62	92	315.77	97
1110	63.36	96	315.55	95.18
1120	0	111.4	320.63	90.7
1130	125.11	115	307.48	83.44
1140	213.24	120	295.34	76.01
1150	0	113.4	320.64	89.84
1160	0	132	320.89	81.88
1170	0	130	320.95	82.78
1180	0	117.5	320.97	88.21
1190	316.8	69	307.55	103.41
1200	0	115.6	321.04	89.06
1202	67.85	111	320.59	90.86
1203	0	110	320.8	91.38
1204	0	118	321.22	88.1
1205	57.6	118	321.29	88.13
1210	0	116.8	321.47	88.72
1211	57.6	120.5	321.6	87.18
1220	296.06	121	322.23	87.24
1231	181.9	124	259.16	58.59
1232	57.6	125	253.93	55.89
1233	126.72	127	229.09	44.26
1234	288	127	223.48	41.82
1235	182.59	129	228.39	43.09
1240	57.6	117.8	327.03	90.7
1241	0	123	328.11	88.91
1250	0	127.4	331.4	88.44
1260	82.14	122.6	330.21	90
1270	0	132.4	334.35	87.54
1280	60.71	141.5	337.26	84.86
1285	629.92	138	335.54	85.63
1290	0	153.8	335.97	78.97
1300	0	147.2	324.98	77.07
1310	0	134	308.07	75.46
1320	0	134	304.28	73.82
1330	97.92	86	280.89	84.49

Phase 4 - Hour 0:00

ID	Demand (gpm)	Elevation (ft)	Grade (ft)	Pressure (psi)
1333	316.8	94	281.58	81.32
1334	0	96	278.77	79.23
1335	0	99	275.04	76.31
1336	60.48	105	264.92	69.33
1337	0	105	261.83	67.98
1338	962.24	108	256.94	64.57
1340	0	75.5	278.79	88.13
1341	0	96	276.91	78.42
1342	42.85	91	275.56	80.01
1343	89.28	91	275.5	79.98
1344	0	79	275.5	85.18
1345	0	77	275.5	86.05
1346	0	78	275.5	85.61
1347	0	94	276.24	79
1350	0	76.8	277.91	87.18
1360	115.2	78.2	275.41	85.49
1370	0	77.6	277.4	86.61
1380	0	77.2	275.7	86.05
1381	0	77.2	275.7	86.05
1390	0	66.8	275.7	90.56
1400	57.6	75.5	274.6	86.31
1410	728	74.2	272.15	85.81
1411	0	74.2	272.15	85.81
1420	172.8	127	218.95	39.86
1430	407.12	145	203.44	25.34
1440	42.85	144	203.35	25.73
1500	57.6	86	300.11	92.82
1502	0	90.5	310.57	95.4
1504	57.6	92	308.93	94.04
1506	57.6	89	304.25	93.31
1510	303.32	84.4	286.07	87.42
1520	0	88.3	300.11	91.82
1530	125.45	88.8	294.33	89.1
1540	57.6	88.8	291.95	88.07
1550	0	90.2	290.74	86.93
1560	89.28	91.8	282.97	82.87
1570	0	92.4	279.24	81
1580	174.84	92.4	276.68	79.89
1590	0	95.6	271.52	76.26
1595	345.95	97	268.27	74.25
1596	0	97	268.27	74.25
1600	0	89.5	313.49	97.1
1610	0	89.3	312.14	96.6
1620	57.6	89.5	307.35	94.44
1630	0	90	301.54	91.7
1640	57.6	87.3	296.76	90.8
1641	155.52	89	294.96	89.28
1650	0	92	295.02	88.01
1660	69.12	96.6	294.18	85.65

Phase 4 - Hour 0:00

ID	Demand (gpm)	Elevation (ft)	Grade (ft)	Pressure (psi)
1665	0	107	294.18	81.14
1670	157.13	91.3	293.85	87.81
1680	57.6	93	293.55	86.94
1690	0	86.6	234.23	64
1691	0	86.6	233.8	63.81
1693	0	86.6	617.67	230.22
1700	0	85.8	568.36	209.19
1710	0	81.8	461.02	164.39
1712	0	81	452.51	161.05
1714	107.14	77	444.94	159.5
1716	0	77	444.94	159.5
1720	121.88	79.2	451.4	161.35
1730	57.6	83.8	453.41	160.23
1740	129.25	81.4	445.01	157.62
1750	57.6	80.4	444.47	157.82
1755	182.13	76	442.67	158.95
1757	0	75	442.67	159.39
1758	0	75	658.68	253.02
2010	0	68.5	322.42	110.07
2020	0	66	319.23	109.77
2030	0	71	313.9	105.3
2040	57.6	71	313.81	105.26
2050	0	73.5	311.99	103.38
2060	0	72	309.32	102.88
2065	108.4	69	308.71	103.91
2070	0	75	303.47	99.04
2080	0	74.5	298.91	97.28
2090	189.04	75	294.2	95.02
2100	0	75.6	299.48	97.05
2110	0	77	298.42	95.99
2120	196.42	77	298.11	95.85
2130	57.6	70.4	297.85	98.6
2140	132.48	66.4	297.68	100.26
2150	204.02	62.8	297.61	101.79
2160	0	77	296.36	95.09
2170	241.92	76.5	296.23	95.25
2180	57.6	77.2	296.23	94.95
2190	0	77.8	296.23	94.69
2191	0	77.8	296.23	94.69
2200	57.6	73.5	293.07	95.19
2210	115.2	73.6	291.77	94.58
2220	149.76	73.4	291.6	94.59
2230	0	75	290.24	93.3
2240	0	81	288.88	90.12
2245	57.6	79	288.23	90.7
2250	0	70.5	217.31	63.64
2255	0	74	244.29	73.82
2256	115.2	74	244.29	73.82
2260	57.6	71.8	206.53	58.4

Phase 4 - Hour 0:00

ID	Demand (gpm)	Elevation (ft)	Grade (ft)	Pressure (psi)
2270	57.6	72.4	198.02	54.45
2280	307.58	72.8	192.77	52.01
2290	57.6	70	210.46	60.89
2300	0	64.2	210.46	63.4
2310	57.6	68	198.08	56.39
2320	144	66.6	195.31	55.8
2330	0	67.8	197.11	56.06
2340	115.2	75	196.82	52.81
2350	109.44	67	192.85	54.55
2360	107.14	84.8	287.49	87.87
2370	466.56	88.5	284.9	85.14
2380	0	94	282.77	81.83
2390	0	98	280.86	79.27
2400	57.6	100.5	280.41	77.99
2410	0	104.5	286.48	78.89
2420	207.36	102.8	273.23	73.88
2430	0	109.6	295.5	80.59
2440	57.6	113.6	304.95	82.95
2442	0	112	302.74	82.68
2444	0	112	322.67	91.32
2446	0	112	322.67	91.32
2447	0	112	322.67	91.32
2448	0	112	322.67	91.32
2450	0	114.8	310.98	85.05
2460	0	118.3	325.4	89.78
2463	0	118	315.53	85.63
2464	0	115	315.53	86.93
2465	0	116	316.88	87.08
2466	0	120	303.26	79.44
2467	0	120	302.33	79.04
2468	0	116	314.62	86.1
2469	0	130	292.35	70.38
2470	25	117.4	323.22	89.22
2471	0	115	314.62	86.53
2472	307.12	132.5	292.15	69.21
2473	21.43	119.6	313.84	84.2
2474	107.14	120	302.3	79.02
2476	71.42	120	303.24	79.44
2480	525.89	116.8	322.67	89.24
2487	0	94	282.77	81.83
2489	0	113.6	305	82.97
2500	110.71	96.2	254.06	68.43
2501	2,310.57	96.2	252.54	67.78
3000	0	130	461	143.49
3001	0	130	334.35	88.58
3010	28.57	130	461	143.49
3012	115.2	138	449.44	135.01
3014	246.41	130	447.63	137.69
3016	0	137.6	447.63	134.4

Phase 4 - Hour 0:00

ID	Demand (gpm)	Elevation (ft)	Grade (ft)	Pressure (psi)
3030	28.57	148.8	461.38	135.5
3040	92.9	156.8	461.77	132.21
3050	57.6	155	462.04	133.1
3055	37.2	153	461.84	133.88
3060	0	153.2	462.43	134.05
3070	57.14	152.7	463.03	134.53
3080	57.6	155.8	463.98	133.59
3090	0	158.8	464.61	132.57
3100	226.14	165.2	465.53	130.19
3105	138.24	167	455.94	125.25
3107	32.14	164	455.83	126.51
3109	85.71	200	468.04	116.19
3110	567.82	208.6	468.62	112.72
3113	0	187	464.25	120.19
3120	0	202.6	468.62	115.32
3125	57.6	215	468.62	109.94
3130	57.6	229.8	468.63	103.53
3140	0	222.2	468.64	106.83
3150	0	268.8	468.66	86.64
3160	0	203.2	468.91	115.19
3170	0	192.2	469.4	120.17
3180	0	185.6	469.16	122.92
3190	0	192.2	466.93	119.1
3200	28.57	203	464.44	113.33
3201	535.68	203	464.34	113.29
3210	89.28	184	466.93	122.65
3220	0	250	469.93	95.34
3230	0	259	467.18	90.25
3240	21.43	280	466.84	81
3250	221.88	245	415.02	73.7
3260	57.6	280	471.81	83.15
3270	524.97	262	297.62	15.44
3280	646.39	235	222.76	-5.3
3300	2,142.72	300	468.34	72.98
3310	0	435	468.34	14.45
4000	0	83	287.33	88.58
4010	0	82.4	287.28	88.82
4020	69.12	81.8	284.91	88.05
4030	0	75.2	277.07	87.51
4040	307.12	75.2	263.95	81.82
4050	0	73.6	262.92	82.07
4060	0	72	262.34	82.51
4070	154.25	71	261.58	82.62
4080	0	70	261.58	83.05
4090	118.31	90.2	285.76	84.77
4100	0	99.5	285.75	80.74
4110	357.12	100.6	285.44	80.13
4120	0	102.8	285.86	79.36
4125	0	110	285.75	76.19

Phase 4 - Hour 0:00

ID	Demand (gpm)	Elevation (ft)	Grade (ft)	Pressure (psi)
4130	0	114	285.65	74.41
4135	0	118	285.65	72.68
4140	0	120	285.65	71.81
4150	57.6	125	285.53	69.59
4160	115.2	119	285.47	72.17
4170	0	119	449.47	143.26
5000	0	115	322.67	90.02
5008	0	117	322.67	89.16
5010	0	120	322.67	87.86
5020	0	127	328.95	87.55
5026	203.56	130	332.7	87.87
5030	0	126	322.67	85.26
5040	0	126	395.53	116.84
5050	0	135	395.81	113.06
5060	0	135	395.81	113.06
5065	0	136	395.81	112.63
5070	0	138	395.81	111.76
5080	0	136	395.81	112.63
5090	0	138	395.81	111.76
5095	0	145	393.22	107.6
5100	0	141	394.56	109.92
5108	332.12	136	304.7	73.13
5110	0	136	304.7	73.13
5120	53.57	154	390.97	102.73
5130	153.56	148	389.42	104.66
5133	0	130	350.06	95.4
5134	0	155	387.08	100.61
5135	0	155	387.08	100.61
5140	53.57	155	387.89	100.96
5150	160.7	185	450.56	115.12
5160	0	140	398.25	111.95
5170	0	143	400.42	111.59
5180	0	141	400.24	112.38
5190	0	146	402.44	111.17
5200	0	144	403.96	112.69
5210	0	151	403.96	109.66
5212	0	150	403.96	110.09
5220	0	139	406.95	116.16
5230	0	138	399.99	113.57
5240	0	138	399.99	113.57
5245	0	138	399.99	113.57
5250	0	137	406.95	117.02
5260	0	138	406.95	116.59
5270	0	147	411.6	114.71
5280	303.8	141	415.58	119.03
5290	0	139	415.58	119.9
5300	0	146	419.3	118.48
5310	103.56	145	415.06	117.07
5320	249.98	150	420.4	117.22

Phase 4 - Hour 0:00

ID	Demand (gpm)	Elevation (ft)	Grade (ft)	Pressure (psi)
5330	0	157	430.41	118.52
5340	0	153	430.41	120.26
5350	0	164	434.71	117.35
5360	0	170	434.71	114.75
5370	0	164	438.14	118.84
5380	0	175	438.14	114.07
5390	0	175	438.14	114.07
5400	0	170	438.14	116.24
5410	0	175	445.65	117.33
5420	0	190	450.95	113.12
5430	0	210	451.23	104.57
5440	0	205	451.23	106.74
5450	117.85	240	451.71	91.78
5460	0	352	492.04	60.71
5461	0	352	449.97	42.47
5462	0	352	448.64	41.89
5463	0	200	467.94	116.15
5464	0	352	402.13	21.73
5465	0	515	528.85	6
5466	2	352	401.56	21.48
5467	0	280	473.64	83.95
5470	1,785.60	240	477.18	102.82
5490	89.28	135	397.84	113.94
5500	103.56	130	395.53	115.11
6000	146.42	183	460.72	120.39
6002	0	185	460.72	119.52
6004	96.42	190	459.35	116.77
6008	0	255	457	87.56
6010	0	197	459.74	113.9
6020	178.56	204.2	459.54	110.69
6042	0	195	444.52	108.17
6043	0	199	444.52	106.43
6044	0	191	443.12	109.3
6045	0	198	443.12	106.26
6046	189.27	190	442.01	109.24
6047	107.14	200	443.85	105.71
6048	121.42	290	450.92	69.76
6049	0	296	454.03	68.51
6052	0	185	461.59	119.9
6054	50	283.19	455.03	74.49
6056	32.14	325.17	452.73	55.3
6058	0	336.83	452.39	50.1
6060	53.57	155.8	462.89	133.12
6062	0	155	461.97	133.07
6064	0	155	461.97	133.07
6066	0	100	298.5	86.05
6068	0	200	298.5	42.7
6070	0	180	298.5	51.37
6072	0	153.8	334.02	78.12

Phase 4 - Hour 0:00

ID	Demand (gpm)	Elevation (ft)	Grade (ft)	Pressure (psi)
6074	82.14	400	474.61	32.35
6075	0	180	298.5	51.37
6076	0	280	472.72	83.54
6077	0	200	298.5	42.7
6078	0	600	474.61	-54.35
6079	0	118	285.65	72.68
6080	128.56	320	473.16	66.4
6081	507.11	320	473.14	66.39
6082	25	420	472.79	22.88
6084	21.43	360	471.43	48.3
6086	0	360	471.43	48.3
6088	1,267.78	340	468.64	55.77
6090	0	420	468.64	21.09
6092	99.99	200	467.89	116.13
6094	67.85	200	453.87	110.05
6095	548.33	200	467.87	116.12
6096	110.71	200	454.13	110.17
6097	0	146	164.79	8.15
6098	324.98	200	446.39	106.81
6099	0	146	164.79	8.15
6100	0	200	467.85	116.11
6101	0	146	337.26	82.91
6102	53.57	200	466.01	115.31
6103	0	153.8	467.77	136.1
6104	621.39	160	467.77	133.42
6105	0	100.5	129	12.35
6106	35.71	160	467.57	133.33
6108	0	184	466.93	122.65
6110	0	100	449.47	151.5
6112	0	100	449.47	151.5
7010	314.27	174	450.19	119.73
7020	792.61	183	450.14	115.81
7030	0	189	450.13	113.2
7040	0	192.4	450.13	111.73
7050	71.42	194	450.13	111.03
7060	0	197	450.1	109.72
7070	0	196	450.1	110.15
7080	0	188	450.08	113.61
8000	0	189	450.07	113.18
8010	0	186	450.07	114.48
8020	0	189.6	450.07	112.92
8030	0	194	450.07	111.01
8040	0	170.2	450.07	121.33
8050	0	177.4	450.07	118.2
8060	0	167	450.07	122.71
8070	0	161	450.07	125.31
8080	0	188.6	450.07	113.35
8090	0	189	450.07	113.17
8100	0	186.6	450.03	114.2

Phase 4 - Hour 0:00

ID	Demand (gpm)	Elevation (ft)	Grade (ft)	Pressure (psi)
8108	0	184	450	115.31
8110	0	184	450	115.31
8112	0	183	450	115.74
8120	0	181.4	450	116.44
8130	0	178.8	450	117.56
8140	82.14	185.8	449.99	114.53
8148	0	196	449.98	110.1
8150	21.43	198	449.97	109.23
9000	64.28	100	449.47	151.49
9010	115.2	150	449.48	129.82
9020	0	155	449.57	127.7
9030	195.84	145	449.1	131.83
9040	0	166	449.66	122.97
9048	0	170	449.91	121.34
9050	0	167	449.8	122.6
9060	0	176	449.8	118.69
9070	0	177	450	118.34
9080	0	188	449.99	113.57
9090	0	187	449.99	114.01
9092	0	187	449.99	114.01
9100	0	184	449.99	115.31
10000	0	192.2	469.4	120.17
10002	0	74	324	108.38
10004	0	130	334.35	88.58
10010	42.85	184	464.16	121.45
10090	50	184	466.93	122.65
10100	53.57	180	452.71	118.22
10110	122.02	180	441.54	113.38
10120	139.28	170	425.7	110.85
10130	71.42	165	418.75	110
10131	0	166	416.09	108.42
10132	17.86	168	416.07	107.54
10133	253.56	163	410.38	107.24
10134	0	157	407.43	108.56
10135	217.84	157	406.35	108.09
10136	0	151	406.06	110.57
10137	0	149	405.31	111.11
10138	53.57	146	405.24	112.38
10139	221.41	146	404.94	112.25
10140	0	160	410.31	108.51
10141	0	147	404.92	111.81
10142	53.57	146	404.84	112.21
10143	0	138	404.92	115.71
10144	0	147	405.06	111.87
10150	0	159	399.83	104.4
10155	3,571.20	160	391.92	100.54
10160	17.86	147	389.02	104.92
10180	17.86	151	405.71	110.42
10200	0	163	410.14	107.14

Phase 4 - Hour 0:00

ID	Demand (gpm)	Elevation (ft)	Grade (ft)	Pressure (psi)
10202	0	163	409.94	107.05
11000	0	81	287.28	89.42
11010	57.14	85	286.76	87.46
11020	0	83	287.28	88.56
11030	0	80	287.28	89.86
11040	0	83	287.28	88.56
11050	0	84	287.28	88.12
11060	0	87	287.28	86.82
11070	0	92	287.28	84.65
11080	0	86	287.28	87.25
11090	0	85	287.28	87.69
11100	0	86	287.28	87.25
11110	0	83	287.28	88.56
11120	0	81	287.28	89.42
11130	0	79	287.28	90.29
11140	0	77	287.28	91.16
11150	0	81	287.28	89.42
11160	0	82	287.28	88.99
11170	0	81	287.28	89.42
11180	0	81	287.28	89.42
11190	0	79	287.28	90.29
11200	0	78	287.28	90.72
11210	0	81	287.28	89.42
11220	0	83	287.27	88.55
11230	0	85	287.27	87.68
11240	0	83	287.27	88.55
11250	0	83	287.27	88.55
11260	0	86.5	287.22	87.01
11270	0	89	287.17	85.91
11280	17.86	90.5	287.15	85.25
11290	0	90	287.15	85.46
11300	0	89	287.15	85.9
11310	0	93	287.15	84.16
11320	0	87	287.15	86.76
11330	0	90	287.15	85.46
11340	0	94	287.15	83.73
11350	0	94	287.15	83.73
11360	0	96	287.15	82.86
11370	0	99	287.15	81.56
11380	0	82	287.28	88.99
11390	0	84	287.28	88.12
11400	0	87	287.28	86.82
11500	0	91	285.73	84.42
11520	0	92	285.73	83.98
11530	0	93	285.73	83.55
11540	0	94	285.73	83.12
11550	0	90	285.73	84.85
11560	0	84	285.73	87.45
11570	0	91	285.71	84.41

Phase 4 - Hour 0:00

ID	Demand (gpm)	Elevation (ft)	Grade (ft)	Pressure (psi)
11580	0	88	285.71	85.71
11590	160.7	91	283.24	83.34

Phase 4 - Hour 0:00

ID	Demand (gpm)	Elevation (ft)	Grade (ft)	Pressure (psi)
1000	0	70	293.43	96.86
1010	0	74	293.26	95.05
1020	0	70	292.71	96.55
1030	99.36	83.5	288.59	88.91
1040	0	95.2	288.59	83.83
1050	0	80	288.59	90.42
1060	0	78	288.59	91.29
1070	43.2	95.4	287	83.06
1080	43.2	96.2	285.07	81.87
1090	130.69	103.8	283.7	77.99
1092	0	103	283.24	78.13
1094	0	102	283.42	78.64
1096	198.2	101	281.13	78.09
1098	42.85	105	283.24	77.27
1100	89.28	92	279.22	81.16
1110	246.41	96	276.58	78.28
1120	0	111.4	282.79	74.3
1130	0	115	281.76	72.29
1140	85.71	120	279.51	69.15
1150	0	113.4	282.72	73.4
1160	0	132	280.26	64.27
1170	0	130	279.71	64.9
1180	0	117.5	279.47	70.21
1190	0	69	279.47	91.24
1200	43.2	115.6	279.12	70.89
1202	0	111	278.21	72.49
1203	0	110	278.21	72.92
1204	0	118	278.21	69.45
1205	0	118	277.91	69.32
1210	0	116.8	277.18	69.53
1211	0	120.5	276.67	67.7
1220	0	121	274.3	66.46
1231	0	124	273.83	64.95
1232	0	125	273.77	64.49
1233	0	127	273.51	63.51
1234	0	127	273.51	63.51
1235	0	129	273.51	62.65
1240	25	117.8	271.02	66.42
1241	0	123	270.32	63.86
1250	0	127.4	268.18	61.03
1260	0	122.6	268.18	63.11
1270	64.28	132.4	266.36	58.07
1280	71.42	141.5	261.65	52.09
1285	629.92	138	263.74	54.51
1290	0	153.8	261.06	46.5
1300	467.83	147.2	255.97	47.15
1310	57.6	134	251.79	51.06
1320	0	134	250.94	50.69
1330	0	86	245.36	69.08
1333	0	94	245.84	65.82

Phase 4 - Hour 0:00

ID	Demand (gpm)	Elevation (ft)	Grade (ft)	Pressure (psi)
1334	40.32	96	245.62	64.86
1335	0	99	245.35	63.44
1336	0	105	244.61	60.52
1337	0	105	244.36	60.41
1338	248	108	243.97	58.94
1340	43.2	75.5	243.62	72.88
1341	0	96	245.62	64.86
1342	0	91	245.62	67.03
1343	0	91	245.62	67.03
1344	0	79	245.62	72.23
1345	0	77	245.62	73.1
1346	0	78	245.62	72.66
1347	0	94	245.62	65.73
1350	0	76.8	242.96	72.03
1360	0	78.2	242.96	71.42
1370	43.2	77.6	242.47	71.47
1380	0	77.2	240.99	71
1381	0	77.2	240.99	71
1390	0	66.8	240.99	75.51
1400	0	75.5	240.04	71.33
1410	728	74.2	237.58	70.83
1411	0	74.2	237.58	70.83
1420	104.08	127	273.14	63.35
1430	0	145	273.14	55.55
1440	0	144	273.14	55.98
1500	0	86	271.59	80.45
1502	21.43	90.5	278.18	81.36
1504	89.28	92	274.49	79.11
1506	0	89	274.34	80.35
1510	0	84.4	271.59	81.14
1520	82.08	88.3	270.71	79.07
1530	0	88.8	265.11	76.43
1540	0	88.8	261.45	74.84
1550	21.43	90.2	259.25	73.28
1560	0	91.8	245.78	66.75
1570	0	92.4	237.1	62.73
1580	239.64	92.4	231.15	60.15
1590	0	95.6	217.63	52.9
1595	0	97	209.12	48.6
1596	582.11	97	208.27	48.23
1600	86.4	89.5	284.14	84.38
1610	56.16	89.3	284.02	84.41
1620	0	89.5	283.74	84.21
1630	0	90	283.37	83.83
1640	0	87.3	283.37	85
1641	0	89	283.37	84.26
1650	0	92	282.76	82.7
1660	260.7	96.6	273.03	76.48
1665	0	107	273.03	71.98
1670	0	91.3	282.76	83

Phase 4 - Hour 0:00

ID	Demand (gpm)	Elevation (ft)	Grade (ft)	Pressure (psi)
1680	0	93	282.76	82.26
1690	0	86.6	282.76	85.04
1691	0	86.6	282.76	85.04
1693	0	86.6	744.1	285.03
1700	0	85.8	744.1	285.37
1710	0	81.8	744.1	287.11
1712	0	81	744.1	287.45
1714	0	77	744.1	289.19
1716	0	77	744.1	289.19
1720	0	79.2	744.1	288.23
1730	0	83.8	744.1	286.24
1740	0	81.4	744.1	287.28
1750	0	80.4	744.1	287.71
1755	0	76	744.1	289.62
1757	0	75	744.1	290.05
1758	0	75	960.1	383.69
2010	0	68.5	292.46	97.09
2020	0	66	291.48	97.74
2030	0	71	289.85	94.87
2040	0	71	289.85	94.87
2050	0	73.5	289.25	93.53
2060	0	72	288.41	93.81
2065	0	69	288.41	95.11
2070	0	75	286.5	91.68
2080	0	74.5	286.5	91.9
2090	0	75	286.5	91.68
2100	0	75.6	285.08	90.81
2110	0	77	284.71	90.04
2120	43.2	77	284.59	89.99
2130	43.2	70.4	284.58	92.85
2140	47.52	66.4	284.57	94.58
2150	0	62.8	284.57	96.14
2160	0	77	283.86	89.68
2170	0	76.5	283.86	89.89
2180	0	77.2	283.86	89.59
2190	0	77.8	283.8	89.3
2191	1,071.36	77.8	283.79	89.3
2200	43.2	73.5	283.3	90.95
2210	0	73.6	283.3	90.91
2220	0	73.4	283.3	90.99
2230	43.2	75	282.8	90.08
2240	43.2	81	282.57	87.38
2245	138.24	79	282.46	88.2
2250	107.14	70.5	274.52	88.44
2255	86.4	74	276.73	87.88
2256	0	74	276.95	87.98
2260	0	71.8	274.52	87.88
2270	0	72.4	274.52	87.62
2280	0	72.8	274.52	87.44
2290	0	70	273.83	88.36

Phase 4 - Hour 0:00

ID	Demand (gpm)	Elevation (ft)	Grade (ft)	Pressure (psi)
2300	139.97	64.2	265.73	87.36
2310	0	68	273.83	89.23
2320	0	66.6	273.83	89.83
2330	0	67.8	273.83	89.31
2340	0	75	273.83	86.19
2350	0	67	273.83	89.66
2360	0	84.8	282.37	85.65
2370	43.2	88.5	282.51	84.1
2380	0	94	283.02	81.94
2390	107.14	98	283.47	80.4
2400	0	100.5	283.68	79.41
2410	0	104.5	283.97	77.8
2420	0	102.8	283.97	78.54
2430	51.78	109.6	293.39	79.67
2440	0	113.6	303.62	82.37
2442	0	112	301.22	82.03
2444	0	112	308.41	85.14
2446	0	112	308.41	85.14
2447	0	112	308.41	85.14
2448	507.11	112	308.41	85.14
2450	0	114.8	309.88	84.57
2460	0	118.3	325.95	90.01
2463	0	118	313.39	84.7
2464	725.76	115	311.63	85.24
2465	0	116	316.01	86.71
2466	0	120	313.39	83.83
2467	0	120	313.39	83.83
2468	0	116	313.39	85.57
2469	0	130	313.39	79.5
2470	0	117.4	323.52	89.35
2471	0	115	313.39	86
2472	0	132.5	313.39	78.42
2473	0	119.6	313.39	84.01
2474	0	120	313.39	83.83
2476	0	120	313.39	83.83
2480	75.34	116.8	322.86	89.33
2487	0	94	283.02	81.94
2489	0	113.6	303.67	82.39
2500	0	96.2	283.68	81.27
2501	0	96.2	283.68	81.27
3000	0	130	283.91	66.72
3001	25	130	283.91	66.72
3010	25	130	293.23	70.76
3012	0	138	293.23	67.29
3014	0	130	293.23	70.76
3016	0	137.6	293.23	67.46
3030	0	148.8	305.04	67.73
3040	92.9	156.8	315.92	68.98
3050	249.98	155	321.35	72.11
3055	997.85	153	199.36	20.09

Phase 4 - Hour 0:00

ID	Demand (gpm)	Elevation (ft)	Grade (ft)	Pressure (psi)
3060	0	153.2	336.2	79.33
3070	0	152.7	358.86	89.37
3080	0	155.8	389.41	101.27
3090	0	158.8	404.66	106.58
3100	0	165.2	426.85	113.43
3105	0	167	426.85	112.64
3107	0	164	426.85	113.95
3109	0	200	465.61	115.14
3110	0	208.6	461.61	109.68
3113	0	187	459.42	118.1
3120	0	202.6	463.49	113.1
3125	0	215	462.79	107.42
3130	0	229.8	464.48	101.73
3140	159.84	222.2	465.61	105.52
3150	0	268.8	467.22	86.01
3160	0	203.2	467.96	114.78
3170	0	192.2	469.4	120.17
3180	0	185.6	468.96	122.84
3190	0	192.2	468.93	119.96
3200	53.57	203	468.9	115.27
3201	0	203	468.9	115.27
3210	0	184	464.65	121.66
3220	0	250	461.59	91.72
3230	0	259	461.59	87.82
3240	0	280	461.59	78.72
3250	0	245	461.59	93.89
3260	0	280	461.58	78.71
3270	0	262	461.57	86.51
3280	0	235	461.57	98.22
3300	0	300	467.22	72.49
3310	0	435	467.22	13.97
4000	43.2	83	282.21	86.36
4010	0	82.4	282.17	86.6
4020	0	81.8	282	86.79
4030	60.48	75.2	281.3	89.34
4040	0	75.2	280.95	89.19
4050	0	73.6	280.75	89.8
4060	0	72	280.63	90.44
4070	0	71	280.48	90.81
4080	64.8	70	280.07	91.07
4090	0	90.2	277.86	81.35
4100	0	99.5	274.16	75.71
4110	0	100.6	274.16	75.24
4120	0	102.8	273.93	74.18
4125	0	110	254.85	62.79
4130	0	114	237.65	53.6
4135	0	118	232.11	49.47
4140	221.41	120	231.38	48.28
4150	0	125	225.03	43.36
4160	0	119	211.31	40.02

Phase 4 - Hour 0:00

ID	Demand (gpm)	Elevation (ft)	Grade (ft)	Pressure (psi)
4170	0	119	359.72	104.35
5000	0	115	322.86	90.11
5008	0	117	322.86	89.24
5010	0	120	322.86	87.94
5020	0	127	354.47	98.61
5026	0	130	354.47	97.31
5030	0	126	322.86	85.34
5040	0	126	381.39	110.71
5050	0	135	381.39	106.81
5060	0	135	381.12	106.69
5065	0	136	380.84	106.14
5070	539.25	138	331.17	83.74
5080	96.42	136	381.47	106.41
5090	0	138	381.57	105.59
5095	0	145	383.15	103.24
5100	0	141	382.33	104.62
5108	0	136	354.47	94.71
5110	0	136	354.47	94.71
5120	57.14	154	384.51	99.92
5130	0	148	384.51	102.52
5133	0	130	354.47	97.31
5134	0	155	387.91	100.97
5135	146.42	155	387.91	100.97
5140	0	155	387.16	100.64
5150	0	185	393.1	90.21
5160	26.78	140	381.25	104.58
5170	0	143	381	103.17
5180	21.43	141	380.87	103.98
5190	32.14	146	380.83	101.8
5200	635.67	144	380.72	102.62
5210	0	151	377.13	98.03
5212	285.7	150	373.65	96.95
5220	0	139	381.02	104.92
5230	0	138	380.68	105.2
5240	53.57	138	380.68	105.2
5245	0	138	380.77	105.24
5250	75	137	379.24	105.01
5260	0	138	379.24	104.58
5270	16.07	147	381.62	101.71
5280	303.8	141	382.16	104.54
5290	0	139	382.16	105.41
5300	0	146	382.96	102.72
5310	0	145	382.96	103.16
5320	21.43	150	383.18	101.08
5330	0	157	384.86	98.78
5340	189.27	153	371.58	94.76
5350	0	164	385.88	96.19
5360	0	170	385.88	93.59
5370	0	164	386.7	96.54
5380	0	175	338.16	70.73

Phase 4 - Hour 0:00

ID	Demand (gpm)	Elevation (ft)	Grade (ft)	Pressure (psi)
5390	396.4	175	332.02	68.07
5400	174.99	170	336.91	72.35
5410	8.04	175	390.56	93.44
5420	16.07	190	397.03	89.75
5430	34.82	210	399.81	82.28
5440	0	205	399.81	84.45
5450	0	240	404.74	71.41
5460	0	352	531.35	77.75
5461	0	352	411.35	25.73
5462	0	352	411.35	25.73
5463	0	200	461.8	113.49
5464	0	352	411.35	25.73
5465	0	515	473.45	-18.01
5466	2	352	411.35	25.73
5467	0	280	461.81	78.81
5470	0	240	531.35	126.3
5490	0	135	380.77	106.54
5500	0	130	381.39	108.98
6000	0	183	450.56	115.99
6002	0	185	450.56	115.12
6004	0	190	446.31	111.11
6008	0	255	433.56	77.41
6010	0	197	446.31	108.08
6020	0	204.2	445.45	104.58
6042	0	195	419.66	97.39
6043	0	199	419.66	95.66
6044	0	191	419.66	99.12
6045	0	198	419.66	96.09
6046	0	190	419.66	99.56
6047	0	200	419.66	95.22
6048	0	290	419.66	56.21
6049	428.54	296	419.66	53.61
6052	0	185	454.19	116.7
6054	0	283.19	424.4	61.22
6056	0	325.17	413.05	38.1
6058	0	336.83	411.35	32.31
6060	0	155.8	389.41	101.27
6062	0	155	259.31	45.22
6064	482.11	155	227.64	31.49
6066	0	100	249.64	64.87
6068	0	200	249.64	21.52
6070	0	180	249.64	30.19
6072	0	153.8	260.15	46.1
6074	0	400	461.81	26.79
6075	0	180	249.64	30.19
6076	0	280	461.57	78.71
6077	0	200	249.64	21.52
6078	0	600	461.81	-59.91
6079	478.54	118	231.91	49.38
6080	0	320	461.8	61.47

Phase 4 - Hour 0:00

ID	Demand (gpm)	Elevation (ft)	Grade (ft)	Pressure (psi)
6081	0	320	461.8	61.47
6082	80.35	420	458.59	16.73
6084	0	360	461.8	44.13
6086	0	360	461.8	44.13
6088	0	340	461.8	52.8
6090	0	420	461.8	18.12
6092	0	200	461.8	113.49
6094	0	200	461.8	113.49
6095	48.36	200	461.8	113.49
6096	0	200	461.8	113.49
6097	0	146	159.72	5.95
6098	0	200	461.8	113.49
6099	0	146	159.89	6.02
6100	0	200	461.8	113.49
6101	0	146	259.9	49.38
6102	0	200	461.8	113.49
6103	0	153.8	461.8	133.52
6104	0	160	461.8	130.83
6105	0	100.5	129	12.35
6106	0	160	461.8	130.83
6108	99.99	184	464.65	121.66
6110	0	100	353.02	109.69
6112	0	100	353.02	109.69
7010	310	174	375.8	87.48
7020	24.8	183	372.88	82.31
7030	0	189	371.03	78.91
7040	0	192.4	370.23	77.09
7050	186	194	369.75	76.19
7060	1,232.56	197	356.56	69.17
7070	0	196	355.76	69.26
7080	96.72	188	346.7	68.8
8000	84.32	189	342.48	66.53
8010	14.88	186	321.6	58.78
8020	2,316.32	189.6	302.91	49.12
8030	305.04	194	302.38	46.98
8040	307.52	170.2	308.96	60.15
8050	250.48	177.4	299.57	52.96
8060	0	167	305.42	60.01
8070	1,182.96	161	298.73	59.71
8080	0	188.6	341.38	66.23
8090	3,209.12	189	339.89	65.41
8100	1,311.92	186.6	334.18	63.98
8108	624.96	184	328.13	62.48
8110	109.12	184	330.66	63.58
8112	14.88	183	323.73	61.01
8120	401.76	181.4	310.97	56.17
8130	773.76	178.8	291.75	48.96
8140	24.8	185.8	322.55	59.28
8148	153.76	196	317.58	52.71
8150	587.76	198	311.32	49.12

Phase 4 - Hour 0:00

ID	Demand (gpm)	Elevation (ft)	Grade (ft)	Pressure (psi)
9000	0	100	355.71	110.85
9010	0	150	348.32	85.97
9020	21.43	155	339.08	79.8
9030	0	145	339.08	84.13
9040	0	166	336.84	74.06
9048	317.44	170	331.63	70.07
9050	431.52	167	333.37	72.12
9060	0	176	333.37	68.22
9070	1,123.44	177	306.89	56.31
9080	0	188	320.37	57.38
9090	1,378.88	187	299.97	48.97
9092	1,279.68	187	294.79	46.73
9100	989.52	184	319.1	58.57
10000	0	192.2	469.4	120.17
10002	0	74	324	108.38
10004	0	130	283.91	66.72
10010	0	184	459.42	119.4
10090	0	184	464.65	121.66
10100	0	180	448.5	116.39
10110	14.88	180	441.25	113.25
10120	0	170	430.7	113.01
10130	0	165	425.91	113.1
10131	0	166	425.9	112.67
10132	0	168	425.9	111.8
10133	0	163	425.89	113.96
10134	0	157	425.88	116.56
10135	0	157	425.88	116.56
10136	0	151	425.86	119.15
10137	0	149	425.85	120.01
10138	0	146	425.85	121.31
10139	0	146	425.84	121.31
10140	0	160	418.6	112.1
10141	0	147	425.83	120.87
10142	0	146	425.83	121.31
10143	32.14	138	425.82	124.77
10144	0	147	425.84	120.88
10150	357.12	159	409.52	108.6
10155	0	160	403.39	105.51
10160	282.12	147	393.83	107
10180	0	151	425.85	119.15
10200	0	163	425.89	113.96
10202	0	163	425.89	113.96
11000	0	81	282.16	87.2
11010	0	85	282.16	85.47
11020	0	83	282.16	86.33
11030	0	80	282.16	87.63
11040	0	83	282.15	86.33
11050	0	84	282.15	85.9
11060	0	87	282.13	84.59
11070	0	92	282.13	82.42

Phase 4 - Hour 0:00

ID	Demand (gpm)	Elevation (ft)	Grade (ft)	Pressure (psi)
11080	0	86	282.12	85.02
11090	0	85	282.12	85.45
11100	0	86	282.11	85.02
11110	0	83	282.11	86.31
11120	0	81	282.11	87.18
11130	0	79	282.11	88.05
11140	0	77	282.11	88.92
11150	0	81	282.1	87.18
11160	0	82	282.1	86.75
11170	0	81	282.1	87.18
11180	0	81	282.09	87.17
11190	0	79	282.09	88.04
11200	0	78	282.09	88.47
11210	0	81	282.08	87.17
11220	0	83	280.76	85.73
11230	207.13	85	280.18	84.61
11240	0	83	280.76	85.73
11250	0	83	280.95	85.81
11260	0	86.5	280.76	84.21
11270	0	89	280.76	83.13
11280	0	90.5	280.76	82.48
11290	0	90	280.76	82.69
11300	0	89	280.76	83.13
11310	0	93	280.76	81.39
11320	0	87	280.76	83.99
11330	0	90	280.76	82.69
11340	0	94	280.76	80.96
11350	0	94	280.76	80.96
11360	0	96	280.76	80.09
11370	0	99	280.76	78.79
11380	0	82	282.08	86.74
11390	0	84	282.08	85.87
11400	0	87	282.08	84.57
11500	0	91	277.86	81.01
11520	0	92	277.86	80.57
11530	0	93	277.86	80.14
11540	0	94	277.86	79.71
11550	0	90	277.86	81.44
11560	0	84	277.86	84.04
11570	0	91	277.86	81.01
11580	0	88	277.86	82.31
11590	0	91	277.86	81.01

SECTION VI

CENTRAL BASIN MUNICIPAL WATER DISTRICT RECYCLED WATER MASTER PLAN

TECHNICAL MEMORANDUM NO. 6 – ECONOMIC ANALYSIS

The purpose of this Technical Memorandum No. 6 is to outline the basis for the cost estimating and economic analysis for the subject master plan as well as the results of those economic analyses. The economic feasibility evaluation will be conducted to determine the number of years to recover the cost of construction pipeline extension to individual recycled water customers. Our evaluation will be based on recovering the construction costs through the sale of recycled water. The following is a summary of the assumptions for operation and maintenance costs, declining block rate, projected operating/revenue costs, current wholesale/retail water rates, groundwater rates, and peaking factor

ANNUAL OPERATION AND MAINTENANCE COSTS

CBMWD purchases Tittle 22 water from County Sanitation Districts of Los Angeles County (CSDLAC) at a varying rate. While this cost will vary annually for purposes of this master plan, \$110 per acre-foot (including energy and chlorine) has been used. In addition, an operation and maintenance cost of \$40 per AF, administration charge of \$40 per AF and lost potable revenue cost of \$9.23/AF.

RECYCLED WATER RATES

CBMWD wholesales recycled water to water utilities on a declining block rate structure based on demand. Table 6-1 outlines the declining block rates.

**Table 6-1
CBMWD Declining Block Rate (Wholesale)**

0 to 25 AFY	\$266/AF
25 to 50 AFY	\$246/AF
50 to 100 AFY	\$226/AF
100 and above	\$206/AF

PROJECTED OPERATING/REVENUE COSTS

Revenue will be based on sale of recycled water under the declining block rate structure described above and additional revenue from the MWD rebate of \$250 per AF. CBMWD's agreement with MWD provides the \$250 rebate for up to 10,500 AFY. Table 6-2 indicates projected project operating/revenue costs. The project operating/revenue costs will be based on an assumed demand from the customer assessment.

SECTION VI
Technical Memorandum No. 6

PRESENT WORTH EVALUATION

This method uses the present worth of expenses and revenues over a 25-year period. The financial assumptions are footnoted on Table 6-2. The economic evaluation further described later in this Section.

Table 6-2 and 6-3 summarize the financial assumptions used in the evaluation. The project operating/revenue costs is based on the estimated demand from the customer assessment.

Table 6-2
CBMWD Projected Annual Operating/Revenue Costs

Items/Description	Assumption
	Present Worth Costs (1)
<u>Expense</u>	
Capital Cost (2)	Determined for each Pipeline
O&M (3)	\$1,915
Production	AF
O&M	\$697
Administration	\$697
Lost Potable Revenue	\$161
<u>Total Expenses</u>	To Be Determined
<u>Revenue</u>	
Grants (4)	25% of capital cost
Maximum MWD Local Projects Program Rebate (5)	\$4,250/AF
Recycled Water Rate (6)	\$4,686
Total Revenue	Determined for each Pipeline
Revenue/Expense Ratio	Determined for each Pipeline

- (1) Present Worth is over a period of 25 years
- (2) Does not include investment in the existing recycled water system
- (3) O&M expenses escalated at 3% per year
- (4) USBR Grant is 25% of Capital Costs
- (5) LRP Rebate varies on the cost of the program. LRP rebate for up to 10,500 AFY
- (6) Rates escalate at 2% per year

SECTION VI
Technical Memorandum No. 6

PEAKING FACTOR

It is assumed that peak day demand is essentially the same as peak monthly irrigation demand for facility planning purposes. This is a reasonable because not all customer will be irrigating on the same day. Since each customer should have an irrigation schedule spanning the entire week, it is expected that the peak day demands will not vary significantly from day to day in a given month. It is further assumed that the “true” peak day irrigation demand conditions (all customer irrigating on the same day) occur so rarely that the cost of providing facilities to meet these demands is not justified. Therefore, a peak day demand factor of 2.5 times average day demand is assumed.

Peaking hour delivery demands for irrigation systems are a function of the length of daily irrigation periods. On the basis of experience with implemented recycled water programs, a peaking delivery factor of 2.7 times peak day demand is used to estimate peak delivery demands, assuming a 9-hour-per-day cycle (24 hours/9 hours = 2.7). This peaking factor assumes that irrigation demands are uniform over the 9-hour daily irrigation period. Actual peaking requirements can be minimized during program implementation by emphasizing water management and staggering irrigation periods between customers.

Peaking hour delivery demands for industrial systems are a function of the length of daily industrial usage periods. On the basis of experience and CBMWD current policy, a peaking delivery factor of 4.0 times peak day demand is used to estimate peak delivery demands.

A summary of peaking factors assumed for landscape irrigation and industrial usage in this master plan are provided below:

Peak Day Demand:	= 2.5 x Average Day Demand (Irrigation and Industrial)
Peak Delivery (Hourly) Demand	=2.7 x Peak Day Demand (Irrigation and Industrial)
	5.76 x Average Day Demand(Irrigation and Industrial)

ECONOMIC FEASIBILITY FOR PHASE I THROUGH IV

Customer information, hydraulic criteria and preliminary pipe sizes were discussed with the District and local purveyors. For the phasing plan, which is outlined in Technical Memorandum No. 7, as well as the economic feasibility study, CBMWD system was divided into four separate phases. Each phase contains subphases in order to assist with assigning construction priorities. Phase I has a total of 16 subphases with 15 of those subphases requiring small service laterals off of the existing pipelines. The remaining subphase for Phase I is a 0.25 mile zone from the centerline of the existing pipeline. Phase II and III have two subphase and Phase IV has three subphases. Potential customers are separated into each of the above described subphases as discussed in Section II. The total demand for Phases I through IV is 8,294 AFY,

SECTION VI
Technical Memorandum No. 6

768 AFY, 2200 AFY, an 9,441 AFY, respectively. Data assessment of the potential customers has been performed in order to provide the District with realistic expectations for implementing the expansion of the recycled water system. As shown on the Phase I through IV reference maps, the recycled water distribution system has potentially 24 major areas of construction. Considerations of sizes from 4-inch to 36-inch pipeline sizes were calculated for the selected alignments with a variety of linear foot costs. Refer to Table 6-3 for the pipelines sizes and linear foot costs.

Table 6-3
Pipeline Sizes and Linear Foot Costs

Pipeline Size	Cost per Linear Foot
36-inch	\$240/L.F.
30-inch	\$200/L.F.
24-inch	\$185/L.F.
20-inch	\$175/L.F.
18-inch	\$165/L.F.
16-inch	\$125/L.F.
12-inch	\$90/L.F.
10-inch	\$75/L.F.
8-inch	\$65/L.F.
6-inch	\$60/L.F.
4-inch	\$45/L.F.

Shown in the attached Exhibit A is the length of pipe required between the potential customers and the existing main recycled water distribution lateral, the pipeline unit cost, the cost of construction the pipeline extension, percentage costs for engineering and construction management and percentage for contingency. The extension letter identified in Exhibit A corresponds with the extension shown on the Phase I through IV reference maps. For example, the first priority for recycled water conversion in Phase I is extension “E” with nine potential industrial recycled water customers. The financial summary which has the recycled water demand, capital, annual, and net cost, which are detailed in Exhibit B are summarized in Table 6-4.

SECTION VI
Technical Memorandum No. 6

Table 6-4
Financial Summary

Phase and Subphase	Recycled Water Demand (AFY)	Capital Cost (\$)	Revenue/Expense Ratio
Ia	600	\$686,250	2.00
Ib	24	\$206,325	0.92
Id	15	\$199,031	0.73
Ie	464	\$516,500	2.01
If	19	\$327,019	0.64
Ig	26	\$211,575	0.95
Ih	50	\$161,881	1.45
Ii	27	\$468,431	0.64
Ij	30	\$322,338	0.82
Ik	80	\$168,563	1.70
Il	204	\$1,179,000	1.12
Im	136	\$597,175	1.28
In	18	\$117,338	1.06
Io	106	\$654,525	1.09
Ip	5,684	\$5,590,075	2.06
Iq	811	\$1,753,581	1.68
IIa	527	\$10,078,469	0.61
IIb	241	\$2,169,819	0.90
IIIa	878	\$4,906,706	1.14
IIIb	1,322	\$8,794,056	1.05
IVa	1,252	\$7,584,425	1.10
IVb	58	\$7,082,663	0.31
IVc	8,131	\$13,124,925	1.84
Total	20703	\$66,900,669	

CAPITAL COSTS

Capital construction cost estimates for Phases I through IV are \$13.1 million, \$12.2 million, \$13.7 million and \$27.8 million, respectively. The capital costs are directly attributable to pipeline and other facility requirements as well as the number of customers that must be connected to the system. Detailed breakdowns of all cost estimates are contained in Exhibit B.

SECTION VI
Technical Memorandum No. 6

REVENUE/EXPENSE RATIOS

The revenue/expense ratio varied significantly between subphases with the most economical being Phase I P with revenue/expense ratio of 2.06, the least economical is Phase IV B with a revenue/expense ratio of 0.31.

Technical Memorandum No. 6
Exhibit "A"

Technical Memorandum No. 6
Exhibit "B"

Central Basin Municipal Water District
Preliminary Construction Costs
Exhibit A

USGVMWD

	Item	Quantity	Unit	Unit Cost (\$)	Total (\$)
1	8-inch Distribution Pipe	13,000	L.F.	\$65	\$845,000
2	6-inch Distribution Pipe	6,000	L.F.	\$60	\$360,000
Subtotal USGVMWD					\$1,205,000
10% Engineering and Construction Management					\$120,500
15% Contingency					\$180,750
Total USGVMWD					\$1,506,250

LBWD

	Item	Quantity	Unit	Unit Cost (\$)	Total (\$)
1	8-inch Distribution Pipe	9,000	L.F.	\$65	\$585,000
2	6-inch Distribution Pipe	2,600	L.F.	\$60	\$156,000
Subtotal LBWD					\$741,000
10% Engineering and Construction Management					\$74,100
15% Contingency					\$111,150
Total LBWD					\$926,250

WBMWD

	Item	Quantity	Unit	Unit Cost (\$)	Total (\$)
1	20-inch Distribution Pipe	24,000	L.F.	\$175	\$4,200,000
2	16-inch Distribution Pipe	18,000	L.F.	\$125	\$2,250,000
Subtotal Phase IV c					\$6,450,000
10% Engineering and Construction Management					\$645,000
15% Contingency					\$967,500
Total Phase IV c					\$8,062,500

Central Basin Municipal Water District
Preliminary Construction Costs
Exhibit A

Phase Ia

	Item	Quantity	Unit	Unit Cost (\$)	Total (\$)
1	30-inch Distribution Pipe	2,100	L.F.	\$200	\$420,000
2	4 MG Reservoir	600	A.F.	\$215	\$129,000
Subtotal Phase Ia					\$549,000
10% Engineering and Construction Management					\$54,900
15% Contingency					\$82,350
Total Phase Ia					\$686,250

(2) 4 MG Reservoir should be constructed to support Phase 1 demand. The cost of the reservoir was prorated \$215 /AF as determined by dividing the cost of the resvr. by the total demand in Phase 1

Phase Ib

	Item	Quantity	Unit	Unit Cost (\$)	Total (\$)
1	8-inch Distribution Pipe	2,460	L.F.	\$65	\$159,900
2	4 MG Reservoir	24	A.F.	\$215	\$5,160
Subtotal Phase Ib					\$165,060
10% Engineering and Construction Management					\$16,506
15% Contingency					\$24,759
Total Phase Ib					\$206,325

(2) 4 MG Reservoir should be constructed to support Phase 1 demand. The cost of the reservoir was prorated \$215 /AF as determined by dividing the cost of the resvr. by the total demand in Phase 1

Central Basin Municipal Water District
Preliminary Construction Costs
Exhibit A

Phase Id

	Item	Quantity	Unit	Unit Cost (\$)	Total (\$)
1	6-inch Distribution Pipe	2,600	L.F.	\$60	\$156,000
2	4 MG Reservoir	15	A.F.	\$215	\$3,225
Subtotal Phase Id					\$159,225
10% Engineering and Construction Management					\$15,923
15% Contingency					\$23,884
Total Phase Id					\$199,031

(2) 4 MG Reservoir should be constructed to support Phase 1 demand. The cost of the reservoir was prorated \$215 /AF as determined by dividing the cost of the resvr. by the total demand in Phase 1

Phase Ie

	Item	Quantity	Unit	Unit Cost (\$)	Total (\$)
1	6-inch Distribution Pipe	5,224	L.F.	\$60	\$313,440
2	4 MG Reservoir	464	A.F.	\$215	\$99,760
Subtotal Phase Ie					\$413,200
10% Engineering and Construction Management					\$41,320
15% Contingency					\$61,980
Total Phase Ie					\$516,500

(2) 4 MG Reservoir should be constructed to support Phase 1 demand. The cost of the reservoir was prorated \$215 /AF as determined by dividing the cost of the resvr. by the total demand in Phase 1

Phase If

	Item	Quantity	Unit	Unit Cost (\$)	Total (\$)
1	8-inch Distribution Pipe	3,962	L.F.	\$65	\$257,530
2	4 MG Reservoir	19	A.F.	\$215	\$4,085
Subtotal Phase If					\$261,615
10% Engineering and Construction Management					\$26,162
15% Contingency					\$39,242
Total Phase If					\$327,019

(2) 4 MG Reservoir should be constructed to support Phase 1 demand. The cost of the reservoir was prorated \$215 /AF as determined by dividing the cost of the resvr. by the total demand in Phase 1

Central Basin Municipal Water District
Preliminary Construction Costs
Exhibit A

Phase Ig

Item		Quantity	Unit	Unit Cost (\$)	Total (\$)
1	8-inch Distribution Pipe	2,518	L.F.	\$65	\$163,670
2	4 MG Reservoir	26	A.F.	\$215	\$5,590
Subtotal Phase Ig					\$169,260
10% Engineering and Construction Management					\$16,926
15% Contingency					\$25,389
Total Phase Ig					\$211,575

(2) 4 MG Reservoir should be constructed to support Phase 1 demand. The cost of the reservoir was prorated \$215 /AF as determined by dividing the cost of the resvr. by the total demand in Phase 1

Phase Ih

Item		Quantity	Unit	Unit Cost (\$)	Total (\$)
1	8-inch Distribution Pipe	1,827	L.F.	\$65	\$118,755
2	4 MG Reservoir	50	A.F.	\$215	\$10,750
Subtotal Phase Ih					\$129,505
10% Engineering and Construction Management					\$12,951
15% Contingency					\$19,426
Total Phase Ih					\$161,881

(2) 4 MG Reservoir should be constructed to support Phase 1 demand. The cost of the reservoir was prorated \$215 /AF as determined by dividing the cost of the resvr. by the total demand in Phase 1

Phase li

Item		Quantity	Unit	Unit Cost (\$)	Total (\$)
1	8-inch Distribution Pipe	5,676	L.F.	\$65	\$368,940
2	4 MG Reservoir	27	A.F.	\$215	\$5,805
Subtotal Phase li					\$374,745
10% Engineering and Construction Management					\$37,475
15% Contingency					\$56,212
Total Phase li					\$468,431

(2) 4 MG Reservoir should be constructed to support Phase 1 demand. The cost of the reservoir was prorated \$215 /AF as determined by dividing the cost of the resvr. by the total demand in Phase 1

Central Basin Municipal Water District
Preliminary Construction Costs
Exhibit A

Phase IIa

	Item	Quantity	Unit	Unit Cost (\$)	Total (\$)
1	30-inch Distribution Pipe	35,380	L.F.	\$200	\$7,076,000
2	18-inch Distribution Pipe	4,758	L.F.	\$165	\$785,070
3	8-inch Distribution Pipe	1,269	L.F.	\$65	\$82,485
4	6-inch Distribution Pipe	1,987	L.F.	\$60	\$119,220
Subtotal Phase IIa					\$8,062,775
10% Engineering and Construction Management					\$806,278
15% Contingency					\$1,209,416
Total Phase IIa					\$10,078,469

Phase IIb

	Item	Quantity	Unit	Unit Cost (\$)	Total (\$)
1	12-inch Distribution Pipe	16,714	L.F.	\$90	\$1,504,260
2	8-inch Distribution Pipe	3,563	L.F.	\$65	\$231,595
Subtotal Phase IIb					\$1,735,855
10% Engineering and Construction Management					\$173,586
15% Contingency					\$260,378
Total Phase IIb					\$2,169,819

(1) See Exhibit D for leasing costs

Central Basin Municipal Water District
Preliminary Construction Costs
Exhibit A

Central Basin Municipal Water District
Preliminary Construction Costs
Exhibit A

Phase IIIa

	Item	Quantity	Unit	Unit Cost (\$)	Total (\$)
2	30-inch Distribution Pipe	3,348	L.F.	\$200	\$669,600
3	16-inch Distribution Pipe	15,326	L.F.	\$125	\$1,915,750
4	12-inch Distribution Pipe	1,585	L.F.	\$90	\$142,650
5	8-inch Distribution Pipe	18,421	L.F.	\$65	\$1,197,365
Subtotal Phase IIIa					\$3,925,365
10% Engineering and Construction Management					\$392,537
15% Contingency					\$588,805
Total Phase IIIa					\$4,906,706

Phase IIIb

	Item	Quantity	Unit	Unit Cost (\$)	Total (\$)
1	18-inch Distribution Pipe	13,754	L.F.	\$165	\$2,269,410
2	16-inch Distribution Pipe	24,757	L.F.	\$125	\$3,094,625
3	8-inch Distribution Pipe	7,071	L.F.	\$65	\$459,615
4	6-inch Distribution Pipe	19,168	L.F.	\$60	\$1,150,080
5	4-inch Distribution Pipe	1,367	L.F.	\$45	\$61,515
Subtotal Phase IIIb					\$7,035,245
10% Engineering and Construction Management					\$703,525
15% Contingency					\$1,055,287
Total Phase IIIb					\$8,794,056

(1) See Exhibit D for leasing costs

Central Basin Municipal Water District
Preliminary Construction Costs
Exhibit A

Central Basin Municipal Water District
Preliminary Construction Costs
Exhibit A

Phase Ij

	Item	Quantity	Unit	Unit Cost (\$)	Total (\$)
1	8-inch Distribution Pipe	3,868	L.F.	\$65	\$251,420
2	4 MG Reservoir	30	A.F.	\$215	\$6,450
Subtotal Phase Ij					\$257,870
10% Engineering and Construction Management					\$25,787
15% Contingency					\$38,681
Total Phase Ij					\$322,338

(2) 4 MG Reservoir should be constructed to support Phase 1 demand. The cost of the reservoir was prorated \$215 /AF as determined by dividing the cost of the resvr. by the total demand in Phase 1

Phase Ik

	Item	Quantity	Unit	Unit Cost (\$)	Total (\$)
1	8-inch Distribution Pipe	1,810	L.F.	\$65	\$117,650
2	4 MG Reservoir	80	A.F.	\$215	\$17,200
Subtotal Phase Ik					\$134,850
10% Engineering and Construction Management					\$13,485
15% Contingency					\$20,228
Total Phase Ik					\$168,563

(2) 4 MG Reservoir should be constructed to support Phase 1 demand. The cost of the reservoir was prorated \$215 /AF as determined by dividing the cost of the resvr. by the total demand in Phase 1

Phase II

	Item	Quantity	Unit	Unit Cost (\$)	Total (\$)
1	8-inch Distribution Pipe	13,836	L.F.	\$65	\$899,340
2	4 MG Reservoir	204	A.F.	\$215	\$43,860
Subtotal Phase II					\$943,200
10% Engineering and Construction Management					\$94,320
15% Contingency					\$141,480
Total Phase II					\$1,179,000

(2) 4 MG Reservoir should be constructed to support Phase 1 demand. The cost of the reservoir was prorated \$215 /AF as determined by dividing the cost of the resvr. by the total demand in Phase 1

Central Basin Municipal Water District
Preliminary Construction Costs
Exhibit A

Phase Im

	Item	Quantity	Unit	Unit Cost (\$)	Total (\$)
1	8-inch Distribution Pipe	6,900	L.F.	\$65	\$448,500
2	4 MG Reservoir	136	A.F.	\$215	\$29,240
Subtotal Phase Im					\$477,740
10% Engineering and Construction Management					\$47,774
15% Contingency					\$71,661
Total Phase Im					\$597,175

(2) 4 MG Reservoir should be constructed to support Phase 1 demand. The cost of the reservoir was prorated \$215 /AF as determined by dividing the cost of the resvr. by the total demand in Phase 1

Phase In

	Item	Quantity	Unit	Unit Cost (\$)	Total (\$)
1	6-inch Distribution Pipe	1,500	L.F.	\$60	\$90,000
2	4 MG Reservoir	18	A.F.	\$215	\$3,870
Subtotal Phase In					\$93,870
10% Engineering and Construction Management					\$9,387
15% Contingency					\$14,081
Total Phase In					\$117,338

(2) 4 MG Reservoir should be constructed to support Phase 1 demand. The cost of the reservoir was prorated \$215 /AF as determined by dividing the cost of the resvr. by the total demand in Phase 1

Phase Io

	Item	Quantity	Unit	Unit Cost (\$)	Total (\$)
1	16-inch Distribution Pipe	1,838	L.F.	\$125	\$229,750
2	12-inch Distribution Pipe	874	L.F.	\$90	\$78,660
3	6-inch Distribution Pipe	3,207	L.F.	\$60	\$192,420
4	4 MG Reservoir	106	A.F.	\$215	\$22,790
Subtotal Phase Ia					\$523,620
10% Engineering and Construction Management					\$52,362
15% Contingency					\$78,543
Total Phase Ia					\$654,525

(2) 4 MG Reservoir should be constructed to support Phase 1 demand. The cost of the reservoir was prorated \$215 /AF as determined by dividing the cost of the resvr. by the total demand in Phase 1

Central Basin Municipal Water District
Preliminary Construction Costs
Exhibit A

Phase Ip

	Item	Quantity	Unit	Unit Cost (\$)	Total (\$)
1	8-inch Distribution Pipe	50,000	L.F.	\$65	\$3,250,000
2	4 MG Reservoir	5,684	A.F.	\$215	\$1,222,060
Subtotal Phase Ip					\$4,472,060
10% Engineering and Construction Management					\$447,206
15% Contingency					\$670,809
Total Phase Ip					\$5,590,075

(2) 4 MG Reservoir should be constructed to support Phase 1 demand. The cost of the reservoir was prorated \$215 /AF as determined by dividing the cost of the resvr. by the total demand in Phase 1

Phase Iq

	Item	Quantity	Unit	Unit Cost (\$)	Total (\$)
1	8-inch Distribution Pipe	18,900	L.F.	\$65	\$1,228,500
2	4 MG Reservoir	811	A.F.	\$215	\$174,365
Subtotal Phase IIa					\$1,402,865
10% Engineering and Construction Management					\$140,287
15% Contingency					\$210,430
Total Phase IIa					\$1,753,581

(2) 4 MG Reservoir should be constructed to support Phase 1 demand. The cost of the reservoir was prorated \$215 /AF as determined by dividing the cost of the resvr. by the total demand in Phase 1

Central Basin Municipal Water District
Preliminary Construction Costs
Exhibit A

Phase IV a

	Item	Quantity	Unit	Unit Cost (\$)	Total (\$)
1	16-inch Distribution Pipe	38,000	L.F.	\$125	\$4,750,000
2	6-inch Distribution Pipe	21,959	L.F.	\$60	\$1,317,540
Subtotal Phase IV a					\$6,067,540
10% Engineering and Construction Management					\$606,754
15% Contingency					\$910,131
Total Phase IV a					\$7,584,425

Phase IV b

	Item	Quantity	Unit	Unit Cost (\$)	Total (\$)
1	24-inch Distribution Pipe	18,049	L.F.	\$185	\$3,339,065
2	16-inch Distribution Pipe	1,838	L.F.	\$125	\$229,750
3	12-inch Distribution Pipe	2,695	L.F.	\$90	\$242,550
4	8-inch Distribution Pipe	2,889	L.F.	\$65	\$187,785
5	6-inch Distribution Pipe	27,783	L.F.	\$60	\$1,666,980
Subtotal Phase IV b					\$5,666,130
10% Engineering and Construction Management					\$566,613
15% Contingency					\$849,920
Total Phase IV b					\$7,082,663

(1) See Exhibit D for leasing costs

Phase IV c

	Item	Quantity	Unit	Unit Cost (\$)	Total (\$)
1	36-inch Distribution Pipe	14,518	L.F.	\$240	\$3,484,320
2	30-inch Distribution Pipe	3,890	L.F.	\$200	\$778,000
3	24-inch Distribution Pipe	8,067	L.F.	\$185	\$1,492,395
4	20-inch Distribution Pipe	3,262	L.F.	\$175	\$570,850
5	18-inch Distribution Pipe	10,567	L.F.	\$165	\$1,743,555
6	12-inch Distribution Pipe	11,524	L.F.	\$90	\$1,037,160
7	10-inch Distribution Pipe	613	L.F.	\$75	\$45,975
8	8-inch Distribution Pipe	5,777	L.F.	\$65	\$375,505
9	6-inch Distribution Pipe	16,203	L.F.	\$60	\$972,180
Subtotal Phase IV c					\$10,499,940
10% Engineering and Construction Management					\$1,049,994
15% Contingency					\$1,574,991
Total Phase IV c					\$13,124,925

SECTION VII

CENTRAL BASIN MUNICIPAL WATER DISTRICT RECYCLED WATER MASTER PLAN

TECHNICAL MEMORANDUM NO. 7 – PHASING PLAN

There is a wide range of issues that must be considered prior to implementing additional phases to the Central Basin Municipal Water District Recycled Water Program. The following factors have been taken into consideration to define and prioritize project phases:

- Cost of facilities vs. customer demand or revenue
- Ease or willingness of customers to connect to recycled water
- Cost of retrofits
- Regulatory requirements
- Community impacts
- Water utility involvement/cooperation
- Funding availability
- Reliability and operational costs considerations
- System flexibility

The Technical Memorandum presents some of the essential issues that must be considered by CBMWD prior to expanding the recycled water program.

ECONOMIC ISSUES

Two potential cost benefits associated with the expansion of the recycled water project are the avoided costs of developing new water supplies, which is emphasized by the water utility involvement/cooperation in this master plan and the revenue generated from connecting recycled water customers. The CBMWD current recycled water demand is approximately 4,000 AFY with an estimated 145 customers connected to the system. The Master Plan has identified an additional demand of over 20,000 AFY from approximately 430 customers.

Consideration of the necessary capital improvements, ease of construction, and revenue/expense ratio water the following comprises the phases shown in Figures 7-1 through 7-5:

- Phase I includes Sub-Phases A through Q – Customers along the existing pipelines with relatively minor pipeline extensions and laterals.
- Phase II includes Sub-Phases A through B – The Pico Loop currently under design with possible modifications for significant increased customers.

SECTION VII

Technical Memorandum No. 7

- Phase III includes Sub-Phase A through B – The Montebello and Commerce Loop.
- Phase IV includes Sub-Phase A through C – The Whittier, Lynwood and Vernon Loop.

In conjunction with expansion within CBMWD, possible services to adjacent agencies appear positive on an economic and ease or willingness of customers to connect to recycled water.

EXPANSION ISSUES

There are several expansion issues, which must be considered by CBMWD prior to expansion of the recycled water system. Some of these essential issues are discussed in the following paragraphs.

Currently the system is limited hydraulically. Without construction of the Pico Loop (Phase II) only 2,500 AFY of additional demand can be served by the system. The following Phase I P customers could potentially be served by the existing system:

Customer	(AFY)	Purveyor
Phase I-p		
ABC Rhubarb Farms & Herbs	12	Southern California Water Co. (SCWBELL)
Aeolian School	5	San Gabriel Valley Wtr. Co. -Whittier
Alchem Plastics Inc	7	Suburban Water Systems
American Mobile Home Park	41	Paramount, City of
Amusement Industry Inc	6	Downey, City of
Banana Dills Park	30	Paramount, City Of
Bellflower Uni. Sch.	11	Park Water Co.
BJ Svcs. Co.	7	Santa Fe Springs, City of
Burke Industries	17	Santa Fe Springs, City of
Calif. Golf Cntr.	32	Park Water Co.
California Industrial Products	74	Santa Fe Springs, City of
California Mobile Home	40	Paramount, City of
Caltrans I-710 & Imperial	17	Lynwood, City Of
Certified Plant	6	Downey, City of
City – Bellflower	8	Park Water Co.
City of Norwalk	18	Southern California Water Co.
City of Santa Fe Springs	7	Santa Fe Springs, City of
Continental Heat Treat	7	Santa Fe Springs, City of
Conway Western Express	16	Santa Fe Springs, City of
County of Los Angeles	57	Downey, City of
Daily Saw Service	6	Downey, City of
Dexter School	30	Whittier, City Of
Di Loreto Enterprises	7	Downey, City of
Downey Unified Woodruff	25	Downey, City of

SECTION VII
Technical Memorandum No. 7

Customer	(AFY)	Purveyor
Downey Unified School	24	Downey, City of
Downey Unified School	6	Downey, City of
Downey Unified School	12	Downey, City of
Downey Unified School	12	Downey, City of
Downey Unified School	19	Downey, City of
Downey Unified School	21	Downey, City of
Duke Properties	6	Downey, City of
Frigid Coil/Frick Inc.	9	Santa Fe Springs, City of
G & K Services	84	Santa Fe Springs, City of
Grainger / PM 19973	5	Santa Fe Springs, City Of
Hathaway 1, LLC	7	Santa Fe Springs, City of
Hollydale School	30	Southern California Water Co.
Horizon Growers	20	San Gabriel Valley Wtr. Co. -Whittier
Imperial Manor	46	Southern California water co.
Inland Container Corp.	18	Santa Fe Springs, City of
Insignia Commercial GRP	9	Santa Fe Springs, City of
Investment Dev. Serv. Business Park	15	Santa Fe Springs, City of
LA County Justice Center	307	Lynwood, City of
Lederman Bros	11	Santa Fe Springs, City of
Little Lake Cemetery	23	Santa Fe Springs, City Of
Longfellow School	6	Whittier, City Of
Los Amigos Golf Course	340	Los Angeles County Rancho Los Amigos
Los Nietos Intermediate School	11	Los Nietos Mutual Water Co.
Los Nietos Park	20	San Gabriel Valley Wtr. Co. -Whittier
Lucky Container Corp.	6	Vernon, City Of
Lynwood Unified School District	6	Park Water Co.
Manufactures Wre.	8	Downey, City of
Merrifield, Rl.	13	Downey, City of
Metal Surfaces	85	Southern California Water Co. (SCWBELL)
Metal Surfaces Inc.	57	Southern California Water Co.
Mkt Fix Unlimited Inc.	25	Downey, City of
MSH – Cogeneration Facility	200	Southern California Water Co.
Neighborhood Center (Santa Fe Spgs)	5	Santa Fe Springs, City Of
No Amer Rockwell	163	Downey, City of
Nobbs Family Trust	8	Santa Fe Springs, City of
Norwalk High School	44	Norwalk, City Of
Norwalk Sch Dst	23	Park Water Co.
Nnorwalk Sch. Elm.	18	Park Water Co.
Norwalk Sch-har.	20	Park Water Co.
Obregon School	8	Pico Rivera, City Of
Orange County Nursery	10	Cerritos, City of

SECTION VII
Technical Memorandum No. 7

Customer	(AFY)	Purveyor
Rancho Santa Gertrudes School	14	San Gabriel Valley Wtr. Co. -Whittier
S.S. Dyeing	23	Southern California Water Co.
Santa's Forrest Xmas	6	Downey, City of
SEAACA	14	Downey, City of
Senior Home	11	Paramount, City Of
So. California Prop. Inc.	15	Santa Fe Springs, City of
Somerset Village	55	Paramount, City of
South Gate Park	100	South Gate, City Of
Southern Reception Center	46	Park Water Co.
St Francis Hospital	141	Lynwood, City of
St. John Bosco High School	35	Peerless Water Co.
Standard Precision, Inc.	11	Santa Fe Springs, City of
Stone Container Corp	8	Santa Fe Springs, City of
Storopack Co.	22	Downey, City of
TCW Realty Advisors	9	Santa Fe Springs, City of
Transit Mixed Concrete Co.	18	Santa Fe Springs, City Of
Triangle Dist. Co.	9	Santa Fe Springs, City of
Tri-City Mobil	6	Downey, City of
Trojan Battery Company	7	Santa Fe Springs, City Of
United Drill Bushing	23	Downey, City of
Valley View Business Center	6	Suburban Water Systems
Villa Santa Fe Apartments	8	Santa Fe Springs, City Of
Viscara Nursery	6	Downey, City of
Ward Elementary School	25	Downey, City Of
West Whittier Elementary School	9	Whittier, City Of
Whittier Union High School District – Cont H.S.	20	Santa Fe Springs, City of
Will Rogers School	16	Lynwood, City of
Wintime Ltd.	10	Santa Fe Springs, City of
Abbot School	5	Park Water Co.
Cenco Refinery (Powerine)	1000	Santa Fe Springs, City Of
Columbus High School	33	Downey, City Of
Cpt. Unfd. Sch. Ds. (Whaley Jr. High)	19	Park Water Co.
Crockett Container Corporation	40	Santa Fe Springs, City Of
General Dyeing	261	Santa Fe Springs, City of
LA County Public Library	9	Southern California Water Co.
Los Angeles Co Recorder	10	Southern California Water Co.
Los Angeles Co Sheriff (Norwalk)	3	Southern California Water Co.
McMaster Car Supply Company	49	Santa Fe Springs, City Of
Norwalk Civic Center	17	Southern California Water Co.
Pacific Nursery	40	Paramount, City Of
Pico Rivera Municipal Golf Course	150	Pico Rivera, City Of

SECTION VII

Technical Memorandum No. 7

Customer	(AFY)	Purveyor
U.S. Gypsum – Southgate	134	South Gate, City Of
White Flower Nursery	20	Paramount, City Of
TOTAL	5,684	

PRICING POLICY

Several of the water utilities have to develop a pricing policy for the sale of the recycled water. The cost of recycled will impact its marketability and the CBMWD revenue from its sale. Several water utilities have established pricing policies for recycled water, which range from 80% to 90% of the rate of potable water in their service area.

COMMUNITY OUTREACH

The CBMWD will need to develop a strategy for marketing recycled water to beyond the typical recycled water customers (i.e., alternative industrial customers). This strategy should incorporate the local water utility pricing policy for recycled water, but may include other typical financial incentives such as assisting customers with the cost of retrofitting existing potable water irrigation and industrial systems to comply with current regulatory requirements for recycled water industrial or irrigation systems. In addition, CBMWD may consider implementing a Community Outreach Program jointly with local water utilities. A key goal of this community outreach program should be keeping the public informed on the status of CBMWD's Recycled Water Program as well as keeping the public informed on regulatory and environmental issues associated with water recycling in general.

IMPLEMENTATION SCHEDULE

Based the total capital project costs, annual costs, and revenue/expense ratio was performed. Refer to Exhibit B of Technical Memorandum No. 6. Contained within these financial summaries the modified customer demand was utilized in these calculations. This financial analysis is the basis for the Phasing plan, which is summarized below:

Phase I

Phase I includes sub-phases A through Q and includes service laterals for all Phases including the customers that have been identified within a quarter mile of the existing pipeline. Within Phase I, six separate contracts are recommended and those are based on revenue/expense ratio. The five separate contracts are the following:

- Contract 1: Selected Phase I – P customers (listed above)
- Contract 2: Phase I – A, E and Q

SECTION VII

Technical Memorandum No. 7

Contract 3: Phase I – G, H, K, L and M

Contract 4: Phase I – C and K

Contract 5: Phase I – B, J and N

Contract 6: Phase I – D, F, I and O

These contracts will also allow the CBMWD to serve the existing recycled water customers without a negative impact on the hydraulics of the system. Phase I is illustrated in Figure 7-1.

Phase II

Phase II includes sub-phases A and B and included a significant amount of main pipeline. Phase II – A, the Pico Loop, is required because of the customer identified in Phase I and Phase II – A will not be able to hydraulically provided recycled water in the lower Los Coyotes pressure zone. In addition, Phase II – A has a net cost of recycled water that meets the declining block rate of CBMWD recycled water rates. Phase II is illustrated in Figure 7-2.

Phase III

Phase III includes sub-phases A and B and included a significant amount of main pipeline. Phase III – A, the Montebello Loop, has a net cost of recycled water that meets the declining block rate of CBMWD recycled water rates. Phase II – B the Commerce Loop will require a significant amount of pipeline with in the City of Commerce. Phase III is illustrated in Figure 7-3.

Phase IV

Phase IV includes sub-phases A through C and includes a significant amount of main pipeline. Phase IV – A, the Whittier Loop, while meeting CBMWD's declining block rate will require significant amount of capital improvements with the existing operation of the system. Phase IV – B, the Lynwood Loop, requires more information from the City of Lynwood with regard to the customer information before this loop could be considered for expansion. Phase IV – C, the Vernon Loop, does meet the declining block rate; however, the customers in the City of Vernon are mostly industrial customers, which should be researched before discussions with the City of Vernon. . Phase IV is illustrated in Figure 7-4.

SECTION VII
Technical Memorandum No. 7

SUMMARY AND CONCLUSIONS

With the uncertainty of timing for expanding the CBMWD system into Vernon, CBMWD should concentrate capital expenditures on customers on the existing pipeline system and small service laterals. As presented, the preliminary construction costs for Phase I, Phase II – A and Phase III – A are \$13.1 million, \$10.1 million, and 4.9 million, respectively. Based on the financial analysis the revenue/expense ratio for Phase I, Phase II – A, and Phase III – A range from 0.61 to 1.85. Refer to Figure 7-5 for the ultimate system. Based on the above, the following phasing recommendations are summarized:

1. It can be cost effective to supply recycled water to Phase I – Contract 1, 2 and 3 Phase II – A and Phase III –A.
2. Proceed with the design and construction of a 4 MG reservoir at the Rio Hondo Pump Station site in order to assist in connecting customers in later Phase I contracts.
3. Once the Rio Hondo Reservoir is constructed and operating, stop leasing the Santa Fe Springs Pump Station and Reservoir.

Detailed costs estimates for the final pipe diameters, reservoirs, and pumps will need to be developed for the Phases described in this master plan.

MEMORANDUM OF UNDERSTANDING
BY AND BETWEEN
WEST BASIN MUNICIPAL WATER DISTRICT

AND THE
SURFRIDER FOUNDATION

THIS MEMORANDUM OF UNDERSTANDING (the "MOU") is made and entered into this 27 day of June, 2005, by and between the West Basin Municipal Water District and the Surfrider Foundation. The West Basin Municipal Water District and the Surfrider Foundation may be referred to collectively as the "PARTIES" and individually as the "PARTY."

WITNESSETH

WHEREAS, West Basin Municipal Water District (West Basin) is a public water agency formed by a vote of the people in 1947 to provide safe and reliable supplemental supply of high-quality water to the region.

WHEREAS, in fulfilling its mission, the District provides public information and education on water issues, and implements conservation programs that help reduce the region's dependence on imported water and increase regional water supply reliability; and

WHEREAS, the Surfrider Foundation is a non-profit environmental organization dedicated to the protection and enjoyment of the world's oceans, waves and beaches for all people, through conservation, activism, research and education, and

WHEREAS, in fulfilling its mission, the Surfrider Foundation is initiating its "Ocean Friendly Gardens" program to educate the public and local governments on the water conservation and water quality benefits of drought resistant landscaping and water-saving irrigation devices and practices.

WHEREAS, in November 2002 the California voters passed Proposition 50, the Water Security, Clean Drinking Water, Coastal and Beach Protection Act of 2002, which appropriated \$500 million for Integrated Regional Water Management Plan (IRWMP) Projects, and

WHEREAS, as part of the Proposition 50 – Chapter 8 – Integrated Regional Water Management (IRWWM) Grant Program, West Basin will submit four Implementation Projects called "Landscape Conservation / Runoff Reduction Management & Educational Programs" under the four watershed areas known as

the: North Santa Monica Bay, Ballona, Dominguez, and Lower Santa Monica Bay Watersheds.

WHEREAS, pursuant to these programs, West Basin will form a partnership with the Surfrider Foundation to develop "Ocean Friendly Garden" workshops and demonstration gardens as a component of the program, and

WHEREAS, the intent of the "Ocean Friendly Garden" workshops and demonstration gardens is to promote the use of drought tolerant landscapes that use less water, resulting in reduced polluted urban runoff, and to encourage the public to plant similar gardens.

WHEREAS, the PARTIES have the desire and interest to undertake the development, implementation and administration of "Ocean Friendly Garden" workshops and demonstration gardens.

NOW, THEREFORE, IN CONSIDERATION OF THE MUTUAL COVENANTS AND PROMISES OF THE PARTIES HERETO, AND THE PROVISIONS, CONDITIONS AND TERMS PROVIDED FOR HEREIN, THE PARTIES AGREE AS FOLLOWS:

SECTION 1. PURPOSE:

- 1.1. MOU: The PARTIES hereby agree to submit four West Basin Proposition 50 Project Implementation proposals as part of the Proposition 50 – Chapter 8 IRWM competitive grant funding program. A component of the proposals is the development of the "Ocean Friendly Garden" workshops and demonstration gardens. The future implementation agreement ("Implementation Agreement") between the PARTIES will be contingent on the receipt of the grant funds.
- 1.2. IMPLEMENTATION AGREEMENT: If PARTIES are awarded grant funding through the submittal of the four proposals, then the PARTIES agree to develop, administer, and implement the "Ocean Friendly Garden" workshops and demonstration gardens. The Implementation Agreement will include the development of duties, terms, budgets, schedules, etc.
- 1.3. EXHIBIT A: The attached Exhibit A contains a copy of all four Implementation Projects that will be submitted under the Implementation section of the Proposition 50 – Chapter 8 IRWM competitive grant funding program. The Implementation Projects show the Surfrider Foundation as a partner of the "Ocean Friendly Garden" workshops and demonstration gardens component.

SECTION 2. TERM:

- 2.1. Term: This MOU shall have a term of two (2) years or until an Implementation Agreement is provided to the Surfrider Foundation. The

Implementation Agreement is contingent upon receiving State funding. The Implementation Agreement will set the term for the development and implementation of the "Ocean Friendly Garden" workshops and demonstration gardens.

SECTION 3. MODIFICATION:

- 3.1 Modifications: This MOU shall not be amended or modified, unless by mutual written agreement of all of the PARTIES. Any such written modification shall be attached and incorporated hereto.

SECTION 4. TERMINATION:

- 4.1 Voluntary Termination: Any PARTY may terminate its participation in this MOU upon ninety (90) days prior written notice to all the other PARTIES. Such termination shall be effective ninety (90) days after the notice is received or deemed received. The foregoing notwithstanding, the terminating PARTY shall continue to be responsible for any and all outstanding obligations, including, but not limited to, any debts, liabilities or other financial commitments incurred or pledged by the withdrawing PARTY.

SECTION 5. NO THIRD PARTY BENEFICIARIES:

- 5.1 No Third Party Beneficiaries: Nothing in this MOU shall be construed to give any person, other than the PARTIES hereto, and any legal or equitable right, remedy or claim under or in respect of this MOU or any provisions herein contained. This MOU and conditions and provisions hereof are intended to be and are for the sole and exclusive benefit of the PARTIES.

SECTION 6. ATTORNEYS FEES:

- 6.1 Attorney Fees: In any action or proceeding brought to enforce or interpret any provision of this MOU, or where any provision hereof is validly asserted as a defense, each PARTY shall bear its own attorneys' fees and costs.

SECTION 7. SEVERABILITY:

- 7.1 Severability: If any provision of this MOU is held, determined or adjudicated to be illegal, void, or unenforceable by a court of competent jurisdiction, the remainder of this MOU shall be given effect to the fullest extent reasonably possible.

SECTION 8. SUCCESSORS AND ASSIGNS:

- 8.1 Successors and Assigns: The terms and provisions of this MOU shall be binding upon and insure to the benefit of the PARTIES hereto and their successors and assigns.

SECTION 9. NOTICES:

- 9.1 Notice: All notices required or desired to be given under this MOU shall be in writing and (a) delivered personally, or (b) sent by certified mail, return receipt or (c) sent by telefacsimile communication followed by a mailed copy, to the addresses specified below, provided each PARTY may change the address for notices by giving the other PARTIES at least ten (10) days prior written notice of the new address. Notices shall be deemed received when actually received in the office of the addressee or when delivery is refused, as shown on the receipt of the U.S. Postal Service, or other person making the delivery, except that notices sent by telefacsimile communication shall be deemed received on the first business day following delivery.

West Basin Municipal Water District
Mr. Art Aguilar, Co-General Manager
Mr. Rich Nagel, Co-General Manager
17140 S. Avalon Blvd., Suite 210
Carson, CA 90746

Surfrider Foundation
~~Mrs. Michelle Kremer~~ Mr. *Jim Moriarty*
~~Interim~~ Executive Director
P.O. Box 6010
San Clemente, CA 92674-6010
310-410-2890

SECTION 10. EXECUTION OF AGREEMENT:

- 10.1 Counterparts: This MOU may be executed in counterpart and the signed counterparts shall constitute a single instrument. The signatories to this MOU have the authority to bind their respective PARTY to this MOU.

SECTION 11. INTEGRATION CLAUSE:

- 11.1 Entire Agreement: The PARTIES acknowledge and agree that this MOU shall constitute the final expression of their agreement with respect to the

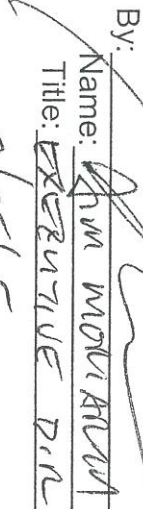
IRWMP MOU 6/27/05 – Agr. #W1638

subject matter of this MOU. There are no restrictions, promises, warranties or undertakings, other than those set forth or referred to herein. This MOU supersedes all prior agreements and understandings between the PARTIES with respect to the subject matter.

SIGNATURES ON FOLLOWING PAGE

IN WITNESS WHEREOF, the PARTIES hereto have executed this MOU on the dates opposite their respective signatures:

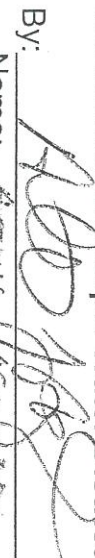
APPROVED:
Surfrider Foundation

By: 
Name: Shawn Moriarty
Title: Executive Dir
Date: 9/25/05


APPROVED AS TO FORM:


By: 
Name: Steve O'Neill
Title: Dist Dir
Date: 9/25/05

APPROVED:
West Basin Municipal Water District

By: 
Name: Anne Ugaon
Title: CA-EM
Date: 9/25/05

APPROVED AS TO FORM:

By: 
Name: Steve O'Neill
Title: District Counsel
Date: 8/1/05

By: 
Name: Richard West
Title: CO-SM
Date: 8/5/05